



US00D417758S

United States Patent [19] Mitchell

[11] Patent Number: Des. 417,758

[45] Date of Patent: ** Dec. 14, 1999

[54] BIRD CAGE

[76] Inventor: Scott Mitchell, 7402 Moss La.,
Manassas, Va. 20111

[**] Term: 14 Years

[21] Appl. No.: 29/075,581

[22] Filed: Aug. 21, 1997

[51] LOC (6) Cl. 30-02

[52] U.S. Cl. D30/114

[58] Field of Search D30/108-109,
D30/114-116; 119/452-453, 461, 472,
474, 455, 459, 482, 491, 497-498, 502,
504, 513-514

[56] References Cited

U.S. PATENT DOCUMENTS

D. 165,567	12/1951	Yellin	D30/109
D. 167,436	8/1952	Yellin	D30/109
D. 298,870	12/1988	Heisler	D30/109
D. 314,251	1/1991	Van Skiver	D30/109
D. 317,518	6/1991	Kohus	D30/109

700,817	5/1902	Porterfield	119/497
2,538,778	1/1951	Halpin	119/497
2,693,786	11/1954	Babros et al.	119/459
3,791,347	2/1974	Lovell	119/497
4,397,398	8/1983	Watanabe	119/497
4,577,589	3/1986	Voss et al.	119/459
5,357,900	10/1994	Ho	119/497
5,503,107	4/1996	Satcher et al.	119/497
5,694,886	12/1997	Hanuck	119/497
5,803,018	9/1998	Liou	119/461

Primary Examiner—Cathy Anne MacCormac
Attorney, Agent, or Firm—Harold H. Dutton, Jr.

[57] CLAIM

The ornamental design for a bird cage, as shown.

DESCRIPTION

FIG. 1 is a front view of a bird cage showing my new design;
FIG. 2 is a right side view thereof;
FIG. 3 is a left side view thereof;
FIG. 4 is a left side view thereof;
FIG. 5 is a top plan view thereof; and,
FIG. 6 is a bottom view thereof.

1 Claim, 3 Drawing Sheets

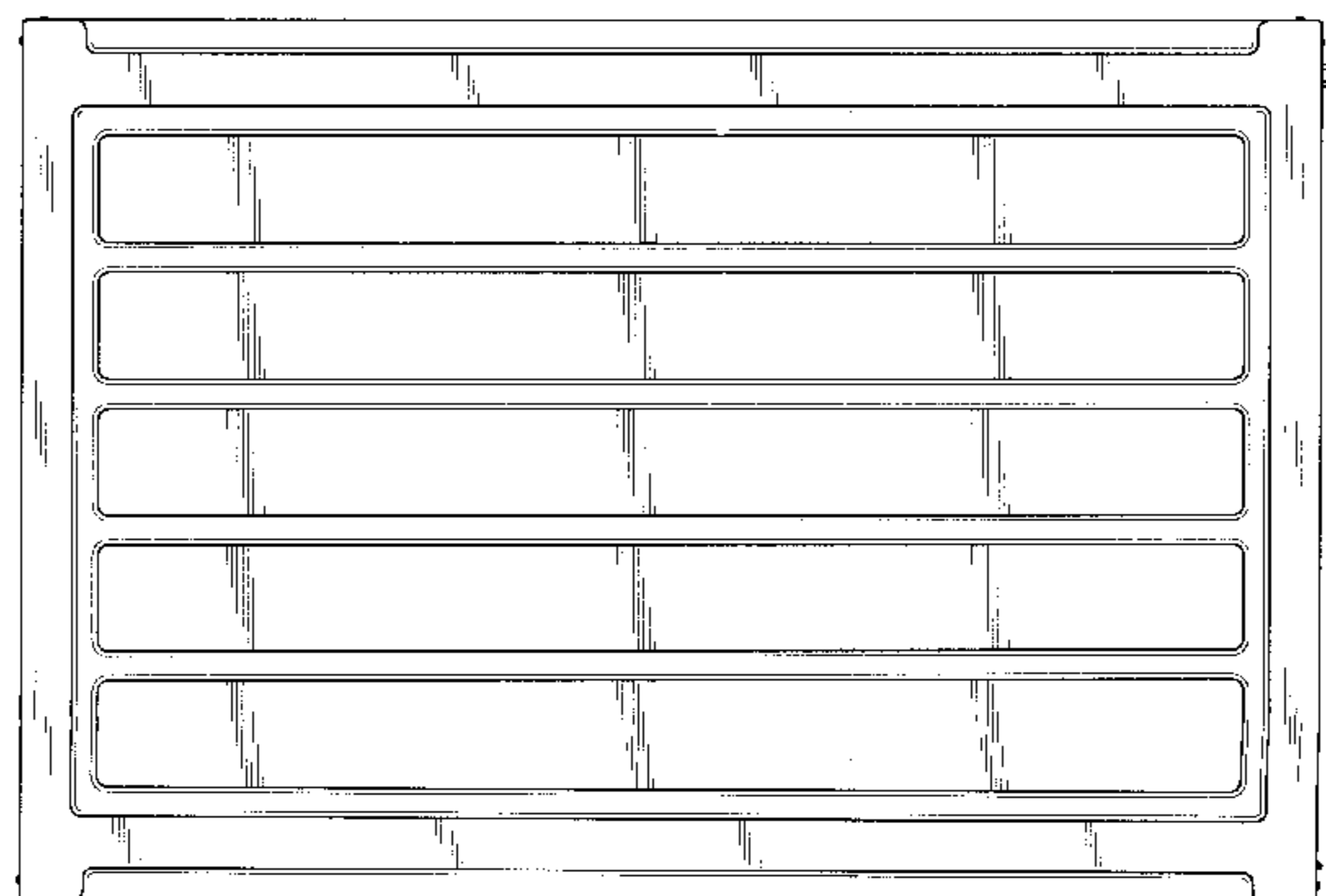
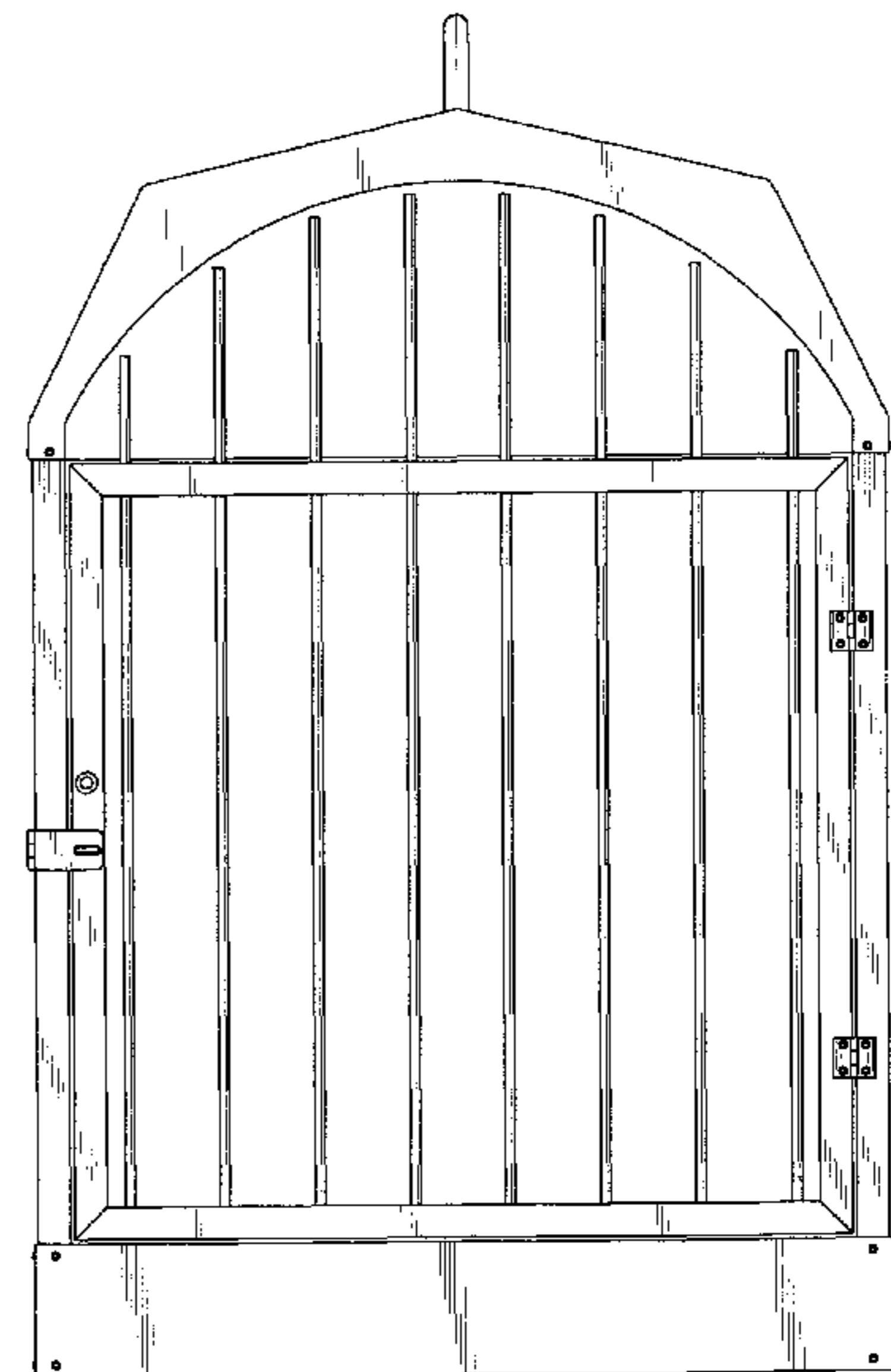
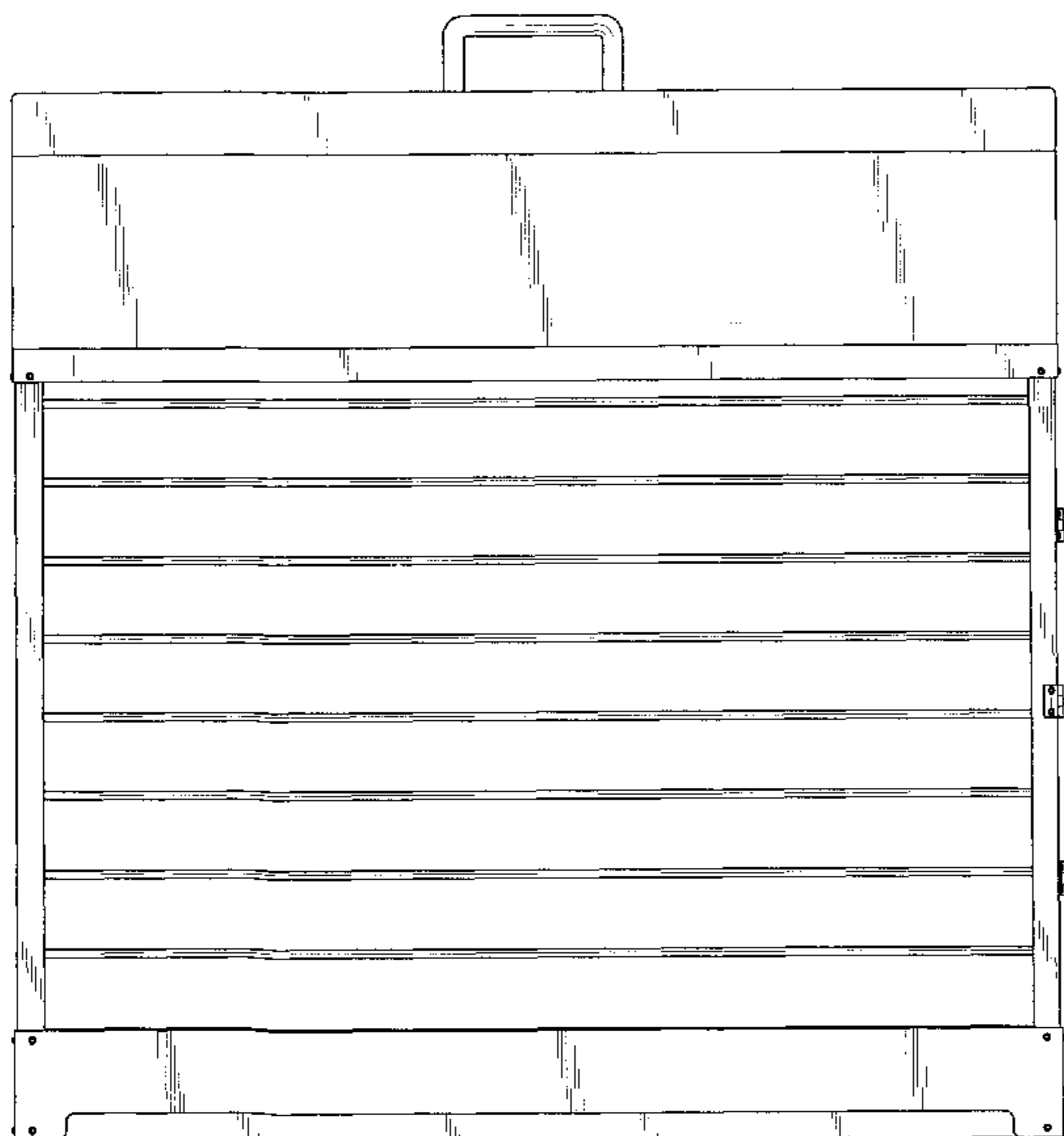


FIG. 2

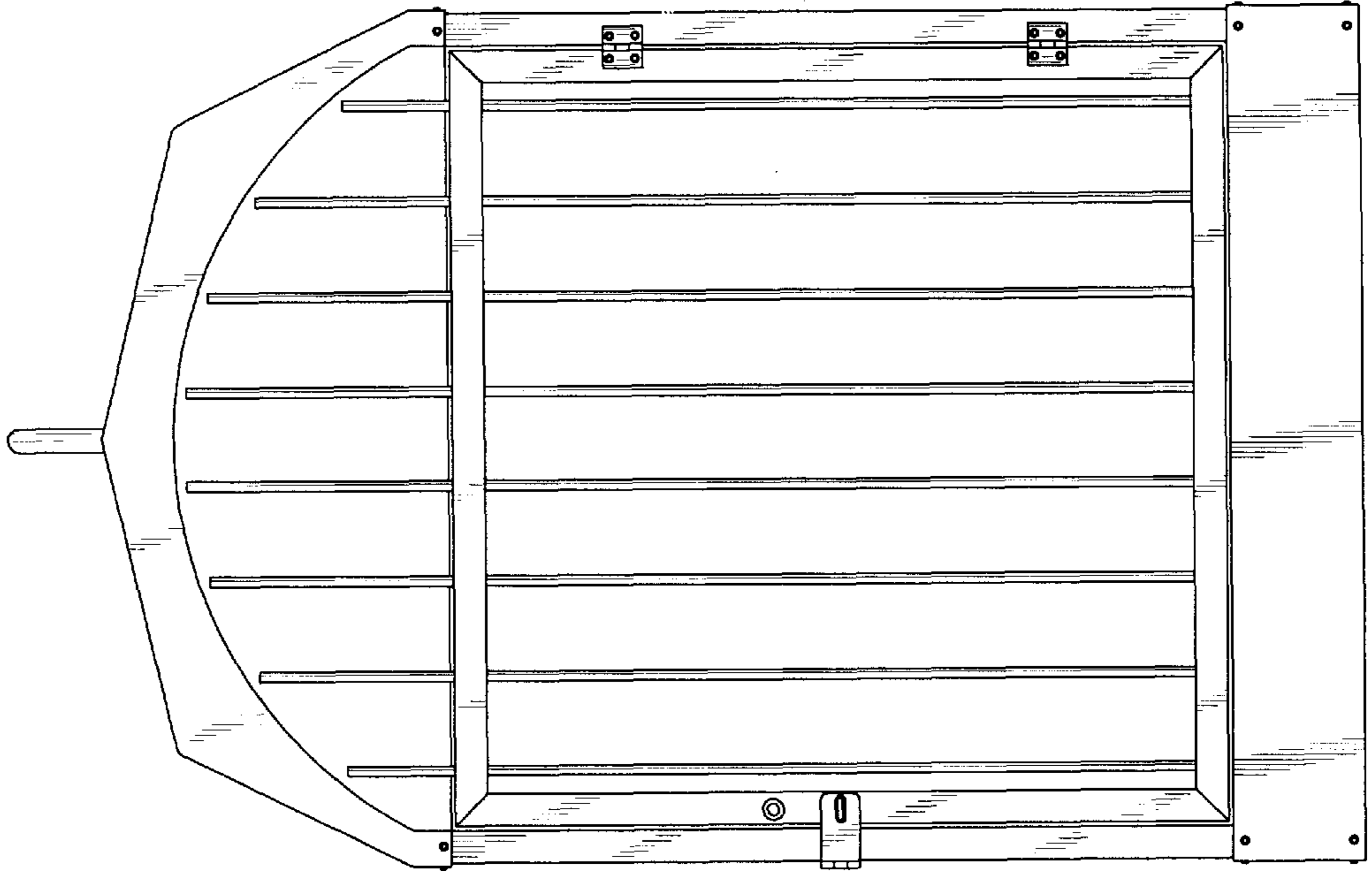


FIG. 1

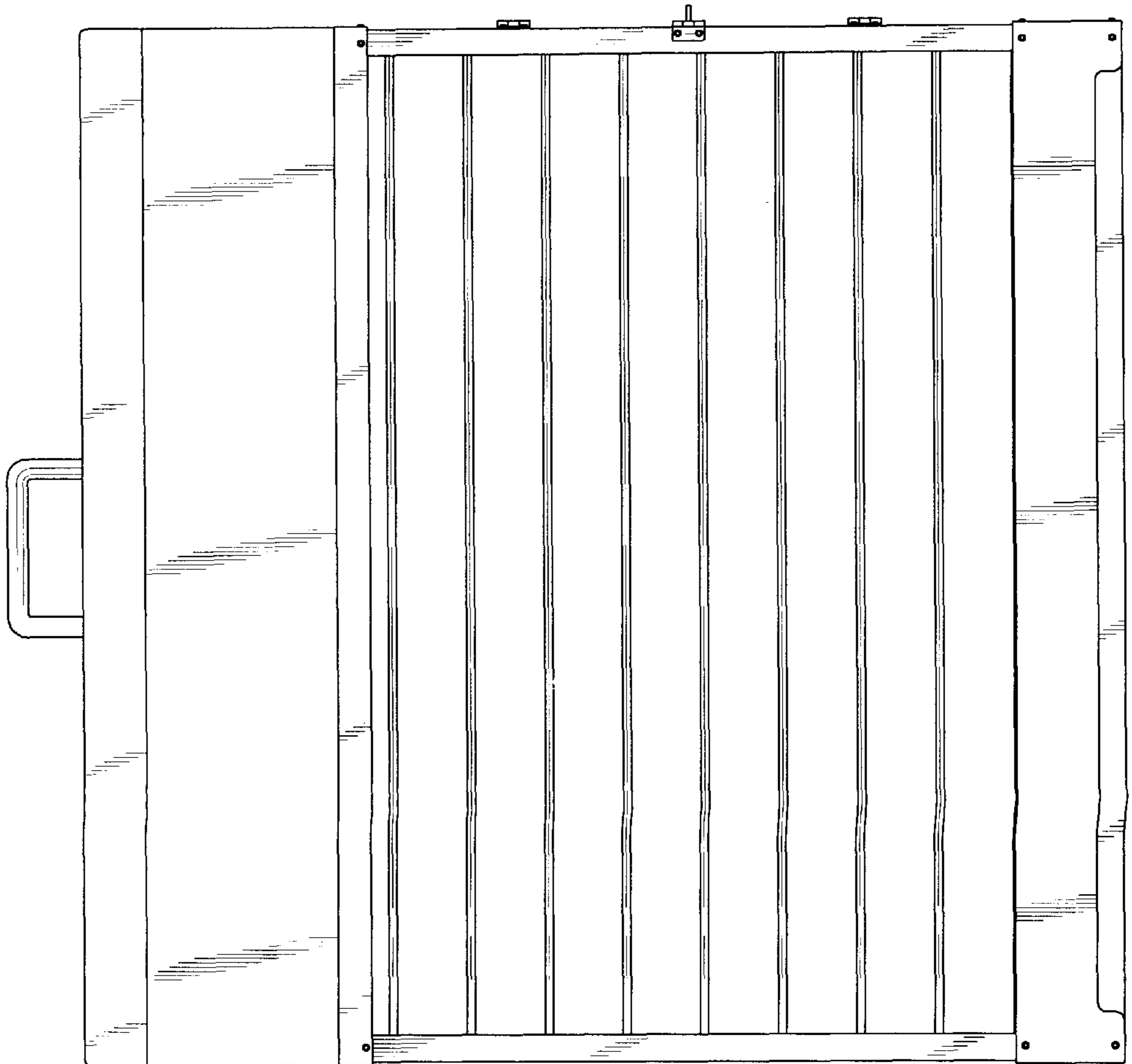


FIG. 4

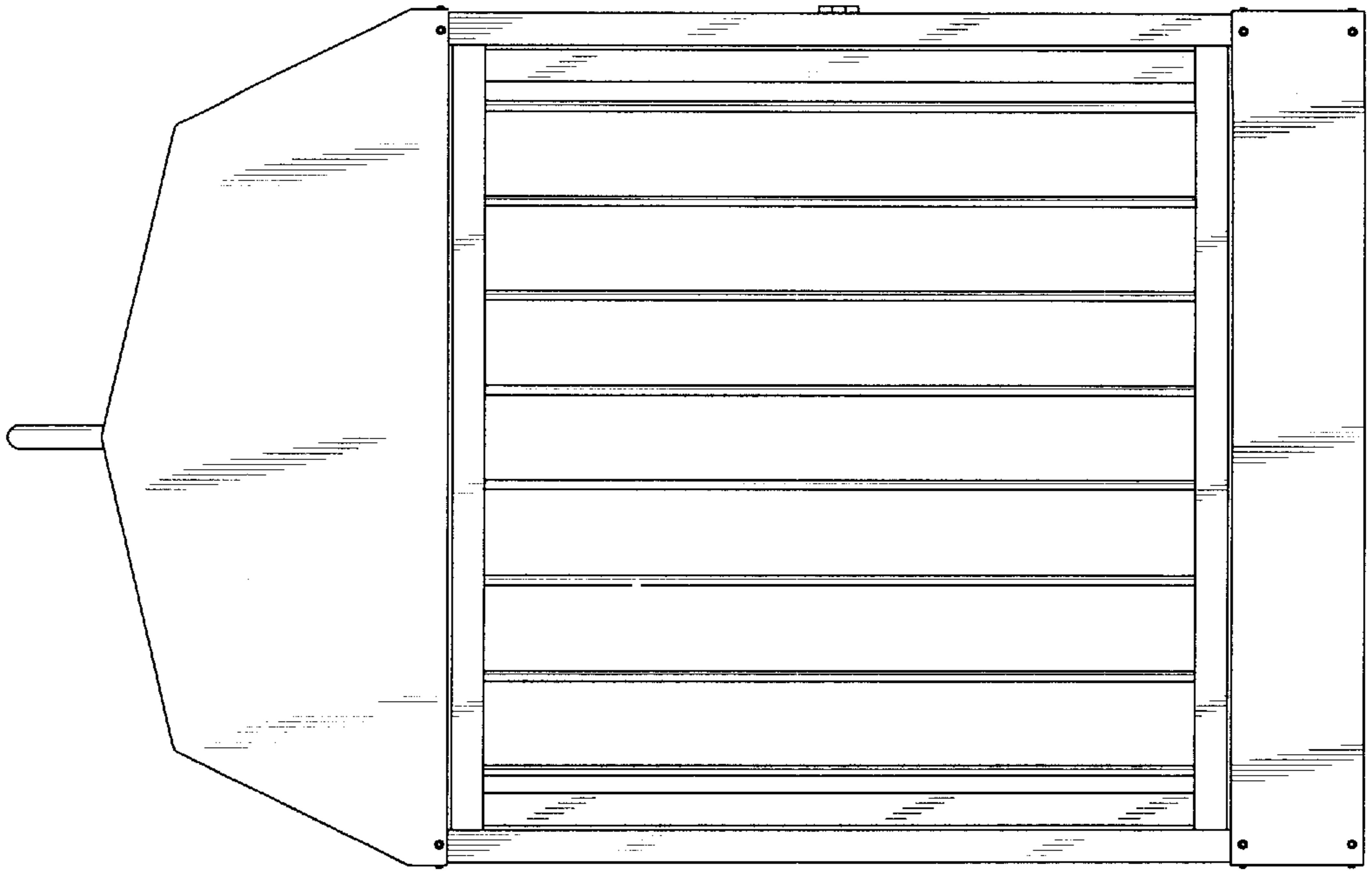


FIG. 3

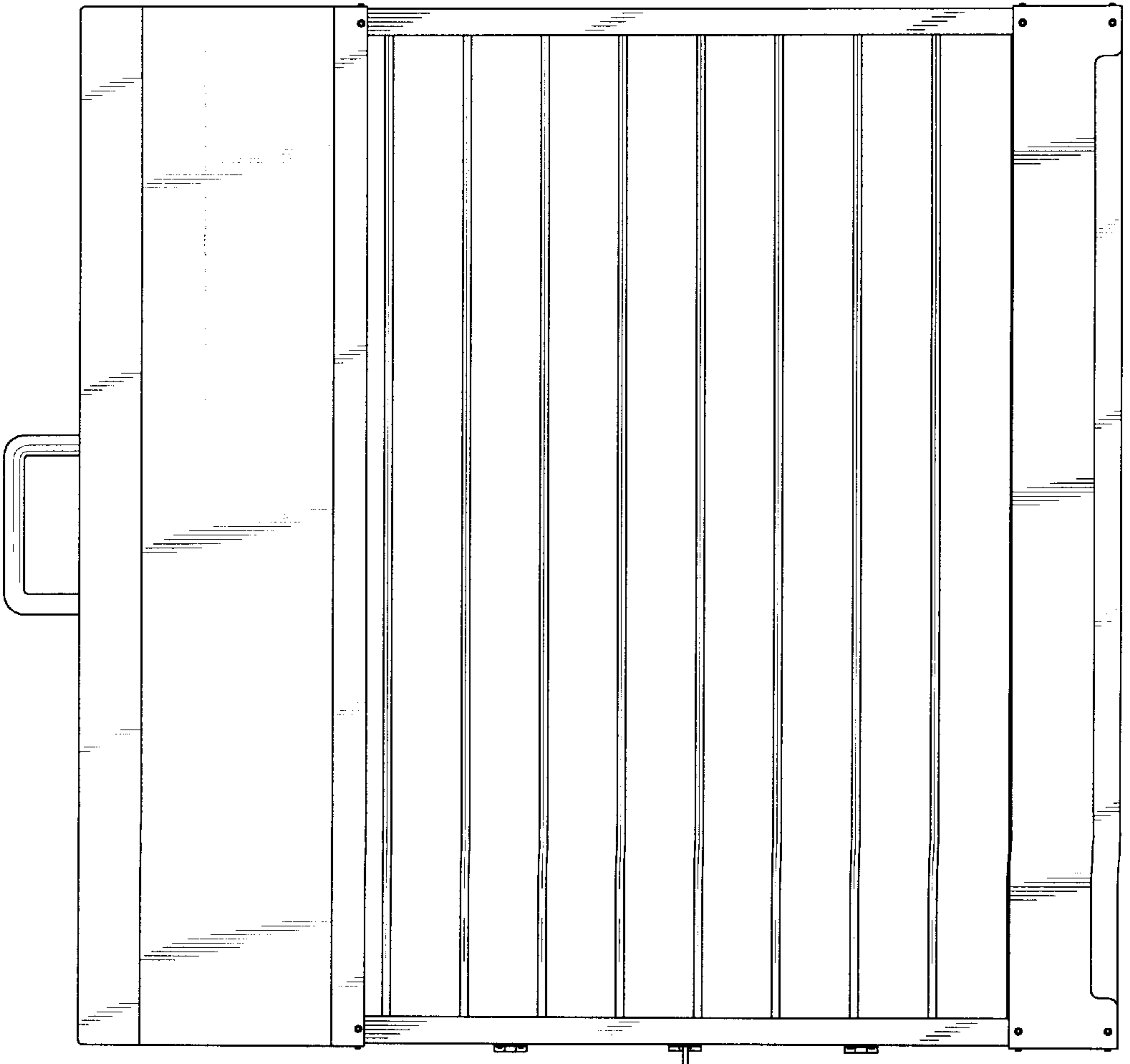


FIG. 5

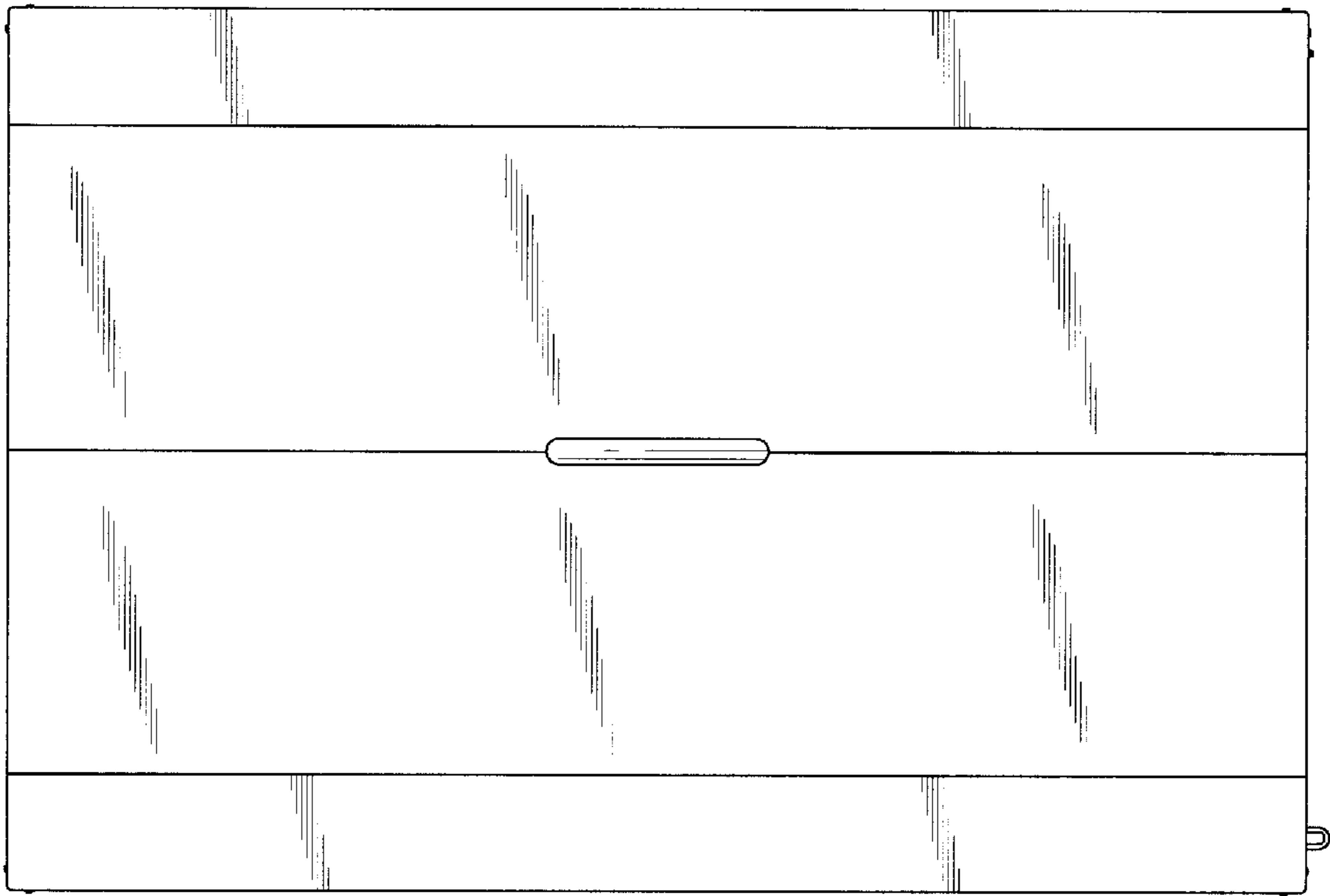


FIG. 6

