



US00D417755S

United States Patent [19]
Mitrakos

[11] **Patent Number: Des. 417,755**

[45] **Date of Patent: ** Dec. 14, 1999**

[54] **BICYCLE HELMET**

[76] Inventor: **Thomas Mitrakos**, 3131 Scenic Ct., Allison Park, Pa. 15101

[**] Term: **14 Years**

[21] Appl. No.: **29/094,560**

[22] Filed: **Oct. 5, 1998**

[51] **LOC (6) Cl.** **29-03**

[52] **U.S. Cl.** **D29/102**

[58] **Field of Search** D29/102-107,
D29/122; 2/411, 412, 414, 417, 418, 421,
423, 425

[56] **References Cited**

U.S. PATENT DOCUMENTS

D. 355,195	4/1993	Choi et al.	D29/13
D. 361,408	8/1995	Ho	D29/102
D. 361,409	8/1995	Ho	D29/102
D. 366,538	1/1996	Ho	D29/102
D. 380,870	7/1997	Szabados	D29/102
D. 383,875	9/1997	Morgan	D29/103
D. 389,605	1/1998	Berke	D29/103

Primary Examiner—Ruth McInroy

[57] **CLAIM**

The ornamental design for bicycle helmet, as shown and described.

DESCRIPTION

FIG. 1 is a perspective view of a bicycle helmet showing my new design.

FIG. 2 is a front elevational view thereof.

FIG. 3 is a rear elevational view thereof.

FIG. 4 is a right side elevational view thereof.

FIG. 5 is a left side elevational view thereof.

FIG. 6 is a top plan view thereof.

FIG. 7 is a bottom plan view thereof.

FIG. 8 is a right side elevational view of a second embodiment thereof.

FIG. 9 is a left side elevational view of FIG. 8.

FIG. 10 is a top plan view of FIG. 8.

FIG. 11 is (a) a right side elevational view of the helmet shown in FIG. 1, the only difference is the inclusion of the broken line rectangle which indicates where a logo might be placed and forms no part of the claimed design, and (b) the presence of a longitudinal stripe from the front to back of the helmet on the exterior top surface as shown in FIG. 13.

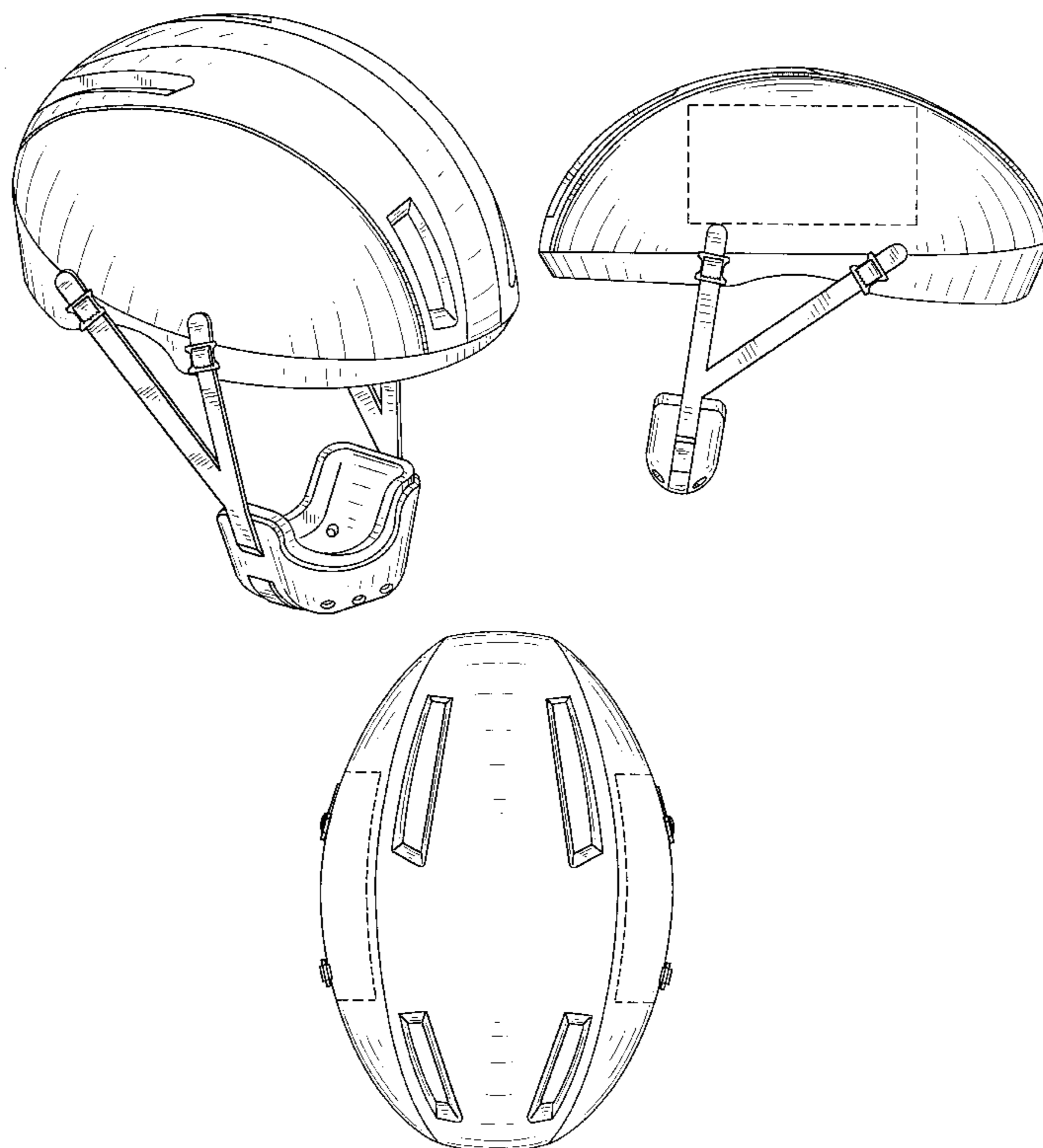
FIG. 12 is a left side elevational view of FIG. 11; and,

FIG. 13 is a top plan view of FIG. 11.

The rectangle shown in broken lines in FIGS. 8-13 is shown to indicate where a logo might be placed on a helmet and is for illustrative purposes only and forms no part of the claimed design.

FIGS. 11-13 have been included for clarity of illustration, the helmet being identical to FIGS. 1-7 with the exception of the inclusion of the broken line rectangle which is not part of the claimed design.

1 Claim, 7 Drawing Sheets



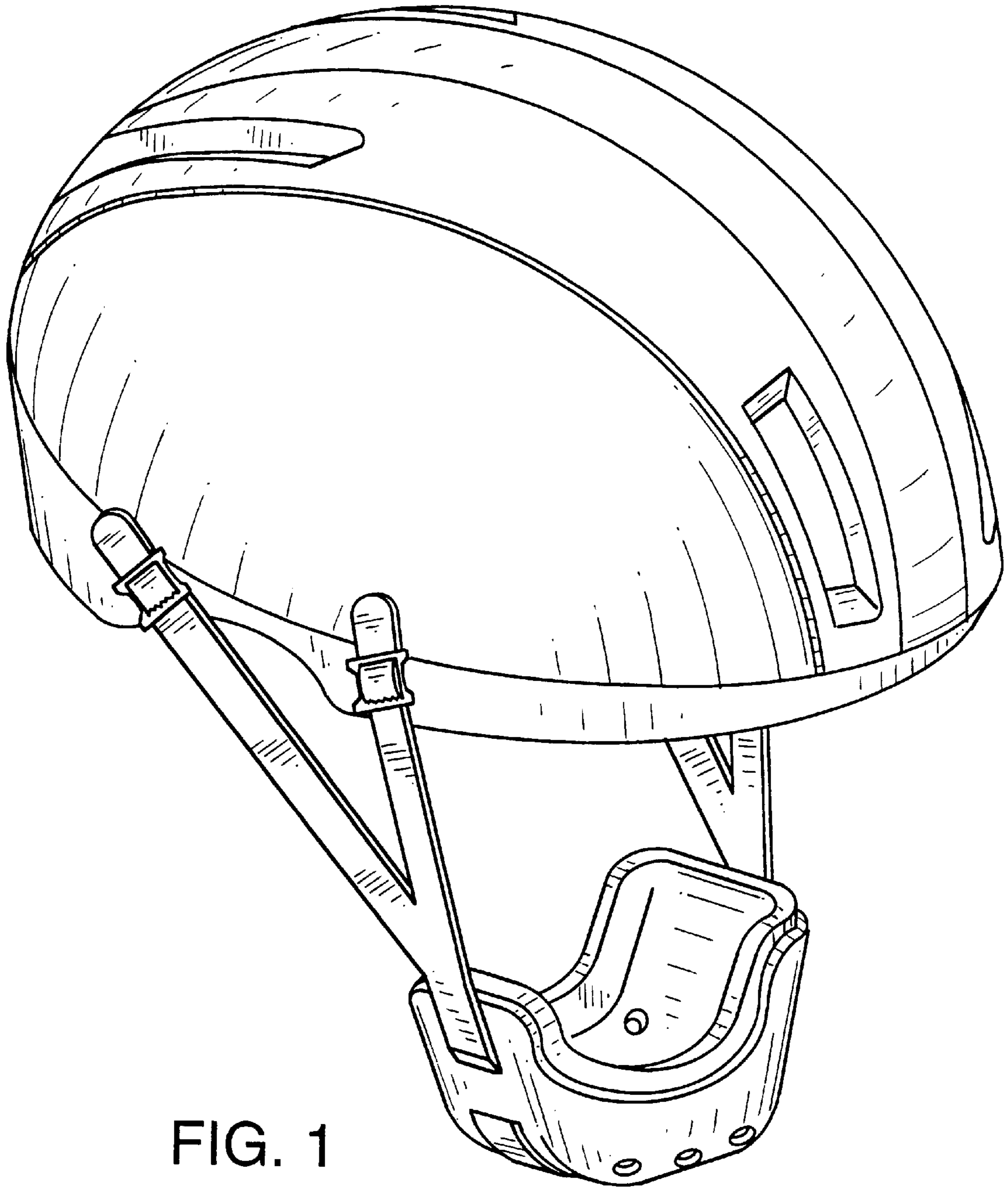


FIG. 1

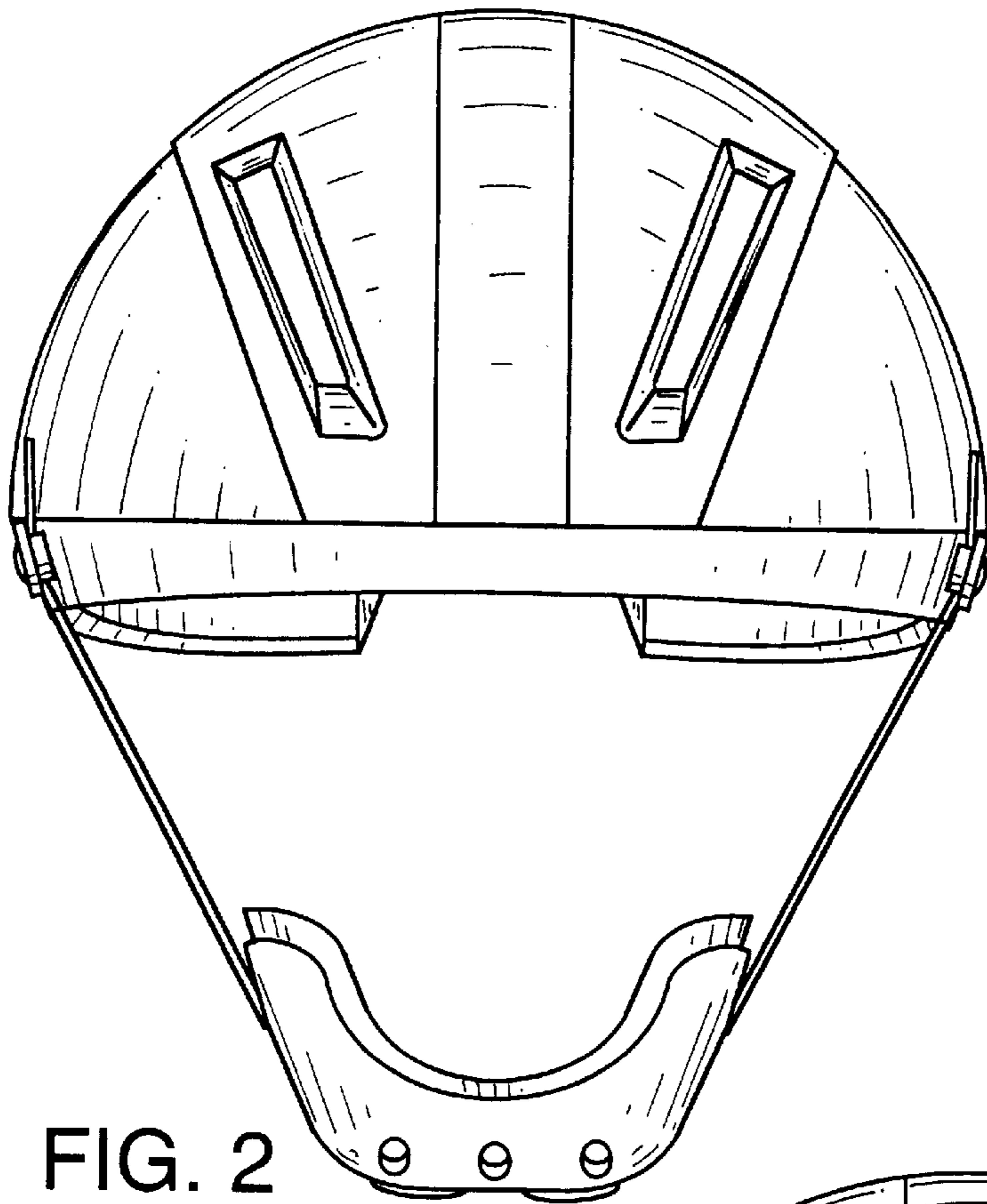


FIG. 2

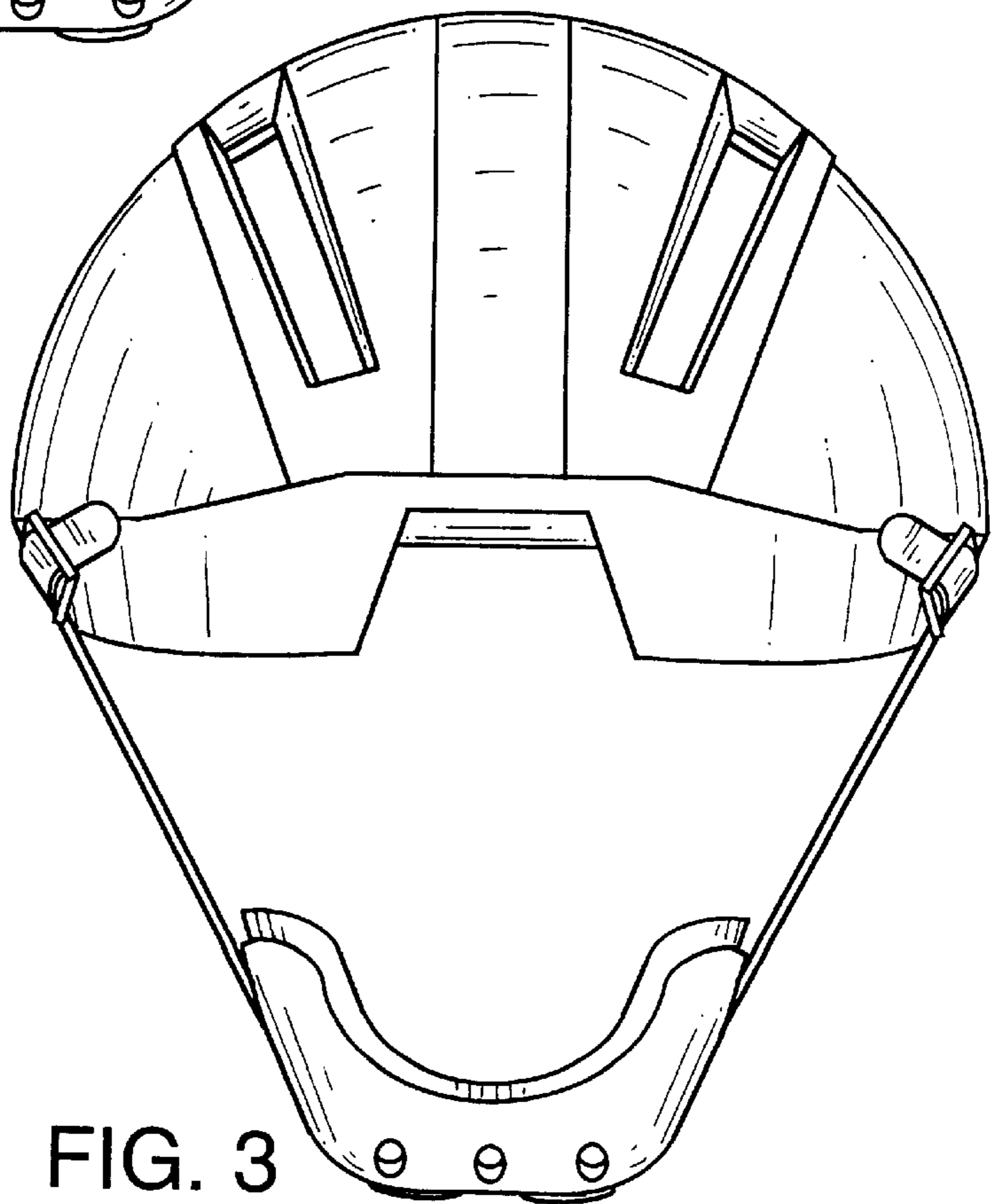


FIG. 3

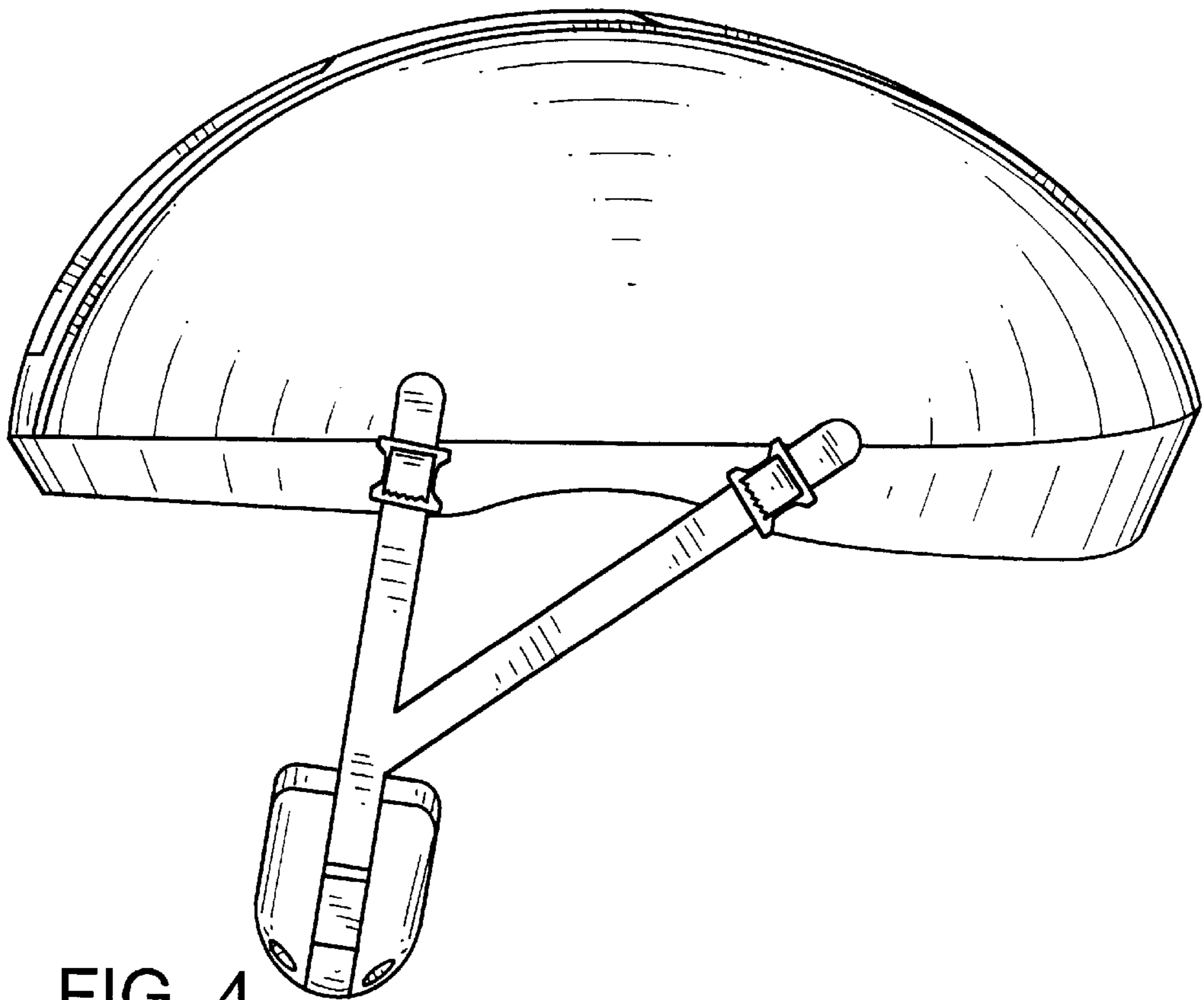


FIG. 4

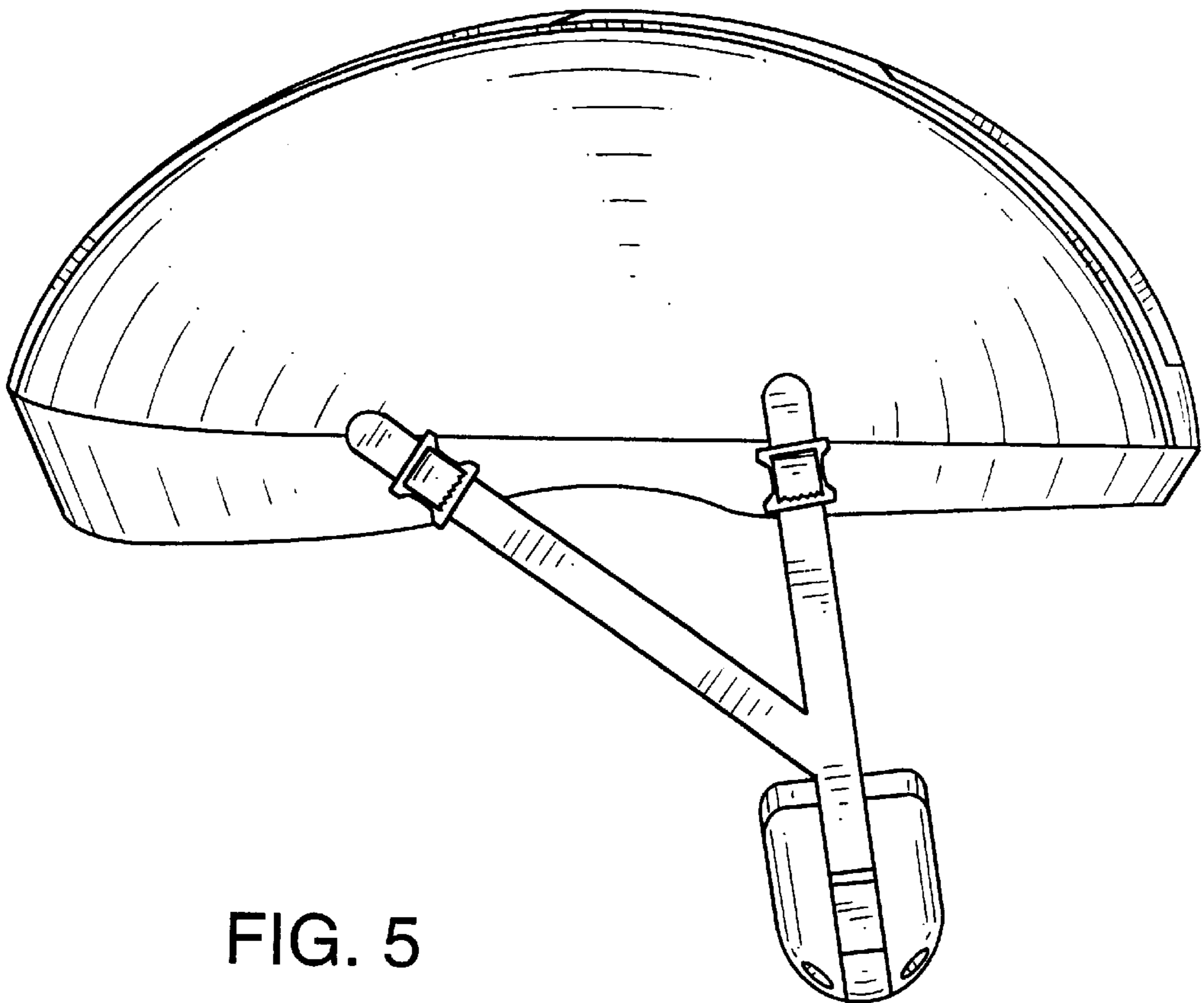


FIG. 5

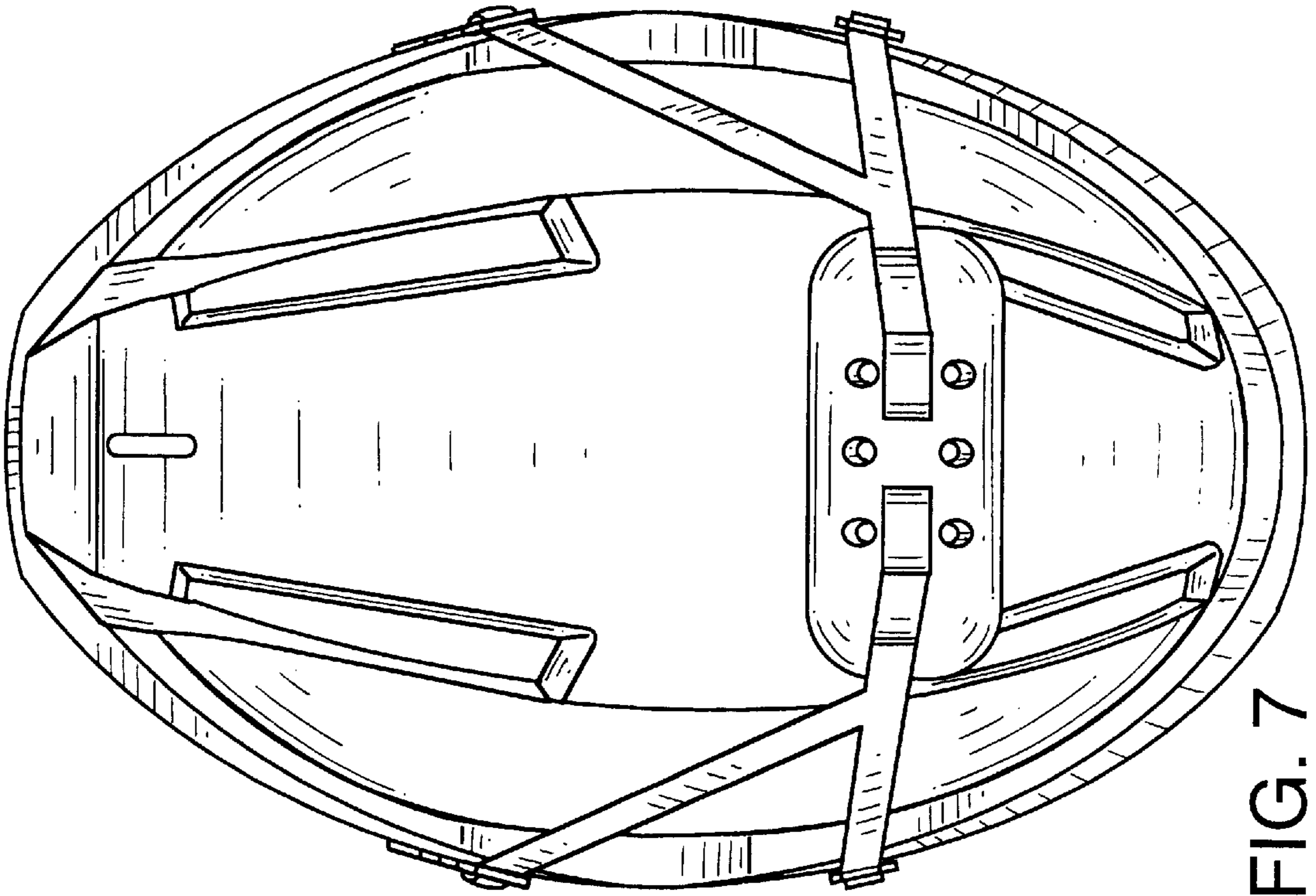


FIG. 7

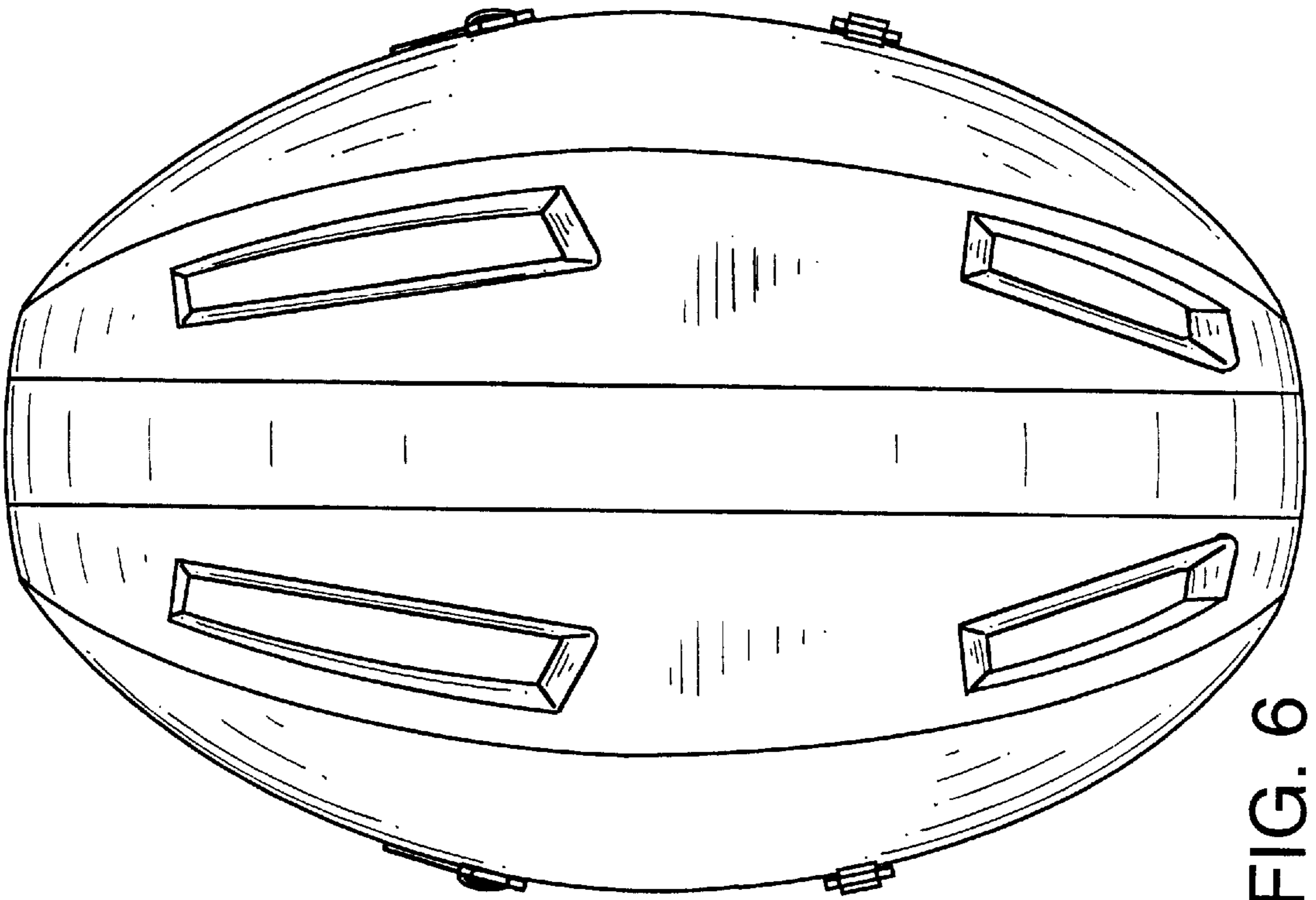


FIG. 6

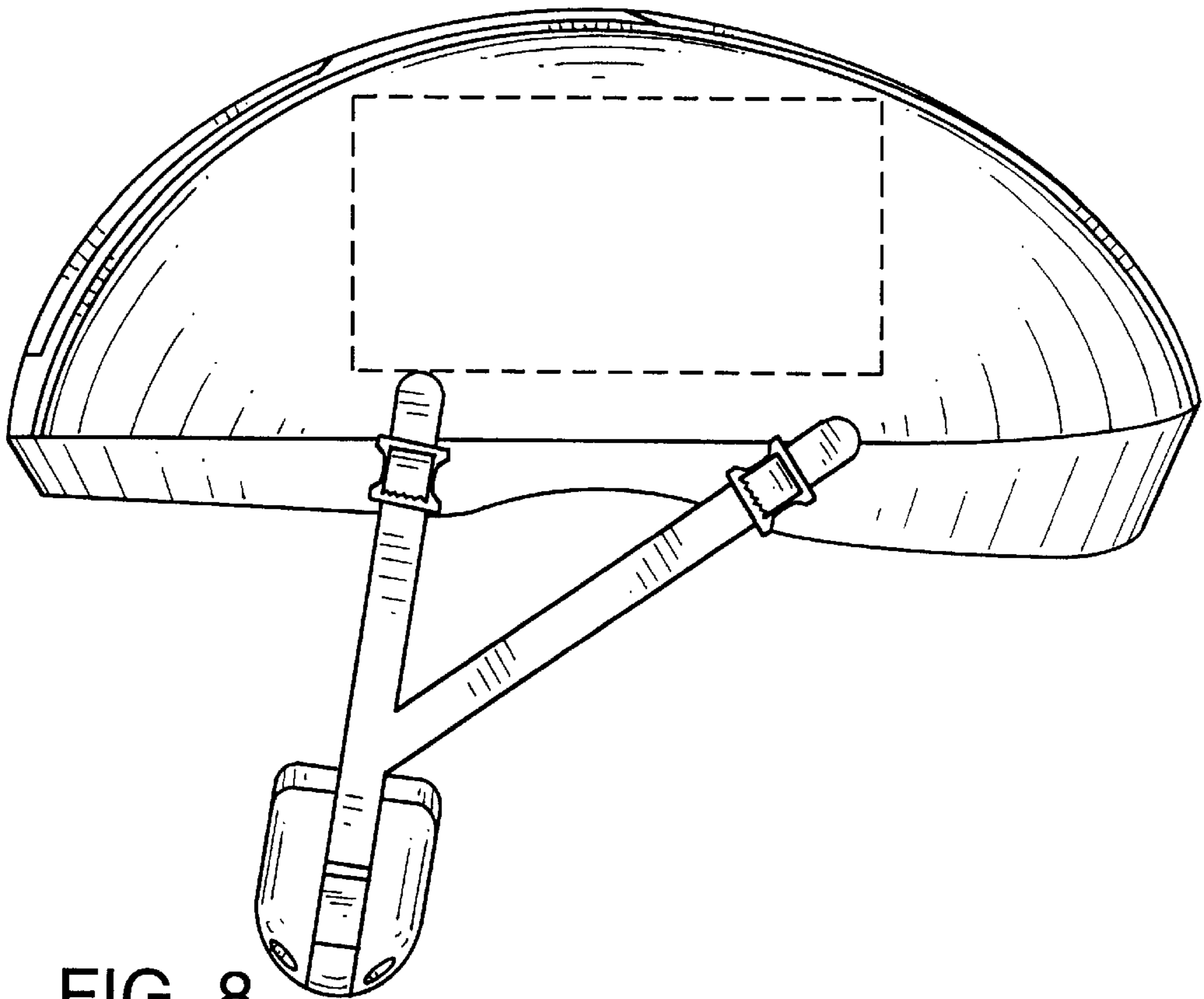


FIG. 8

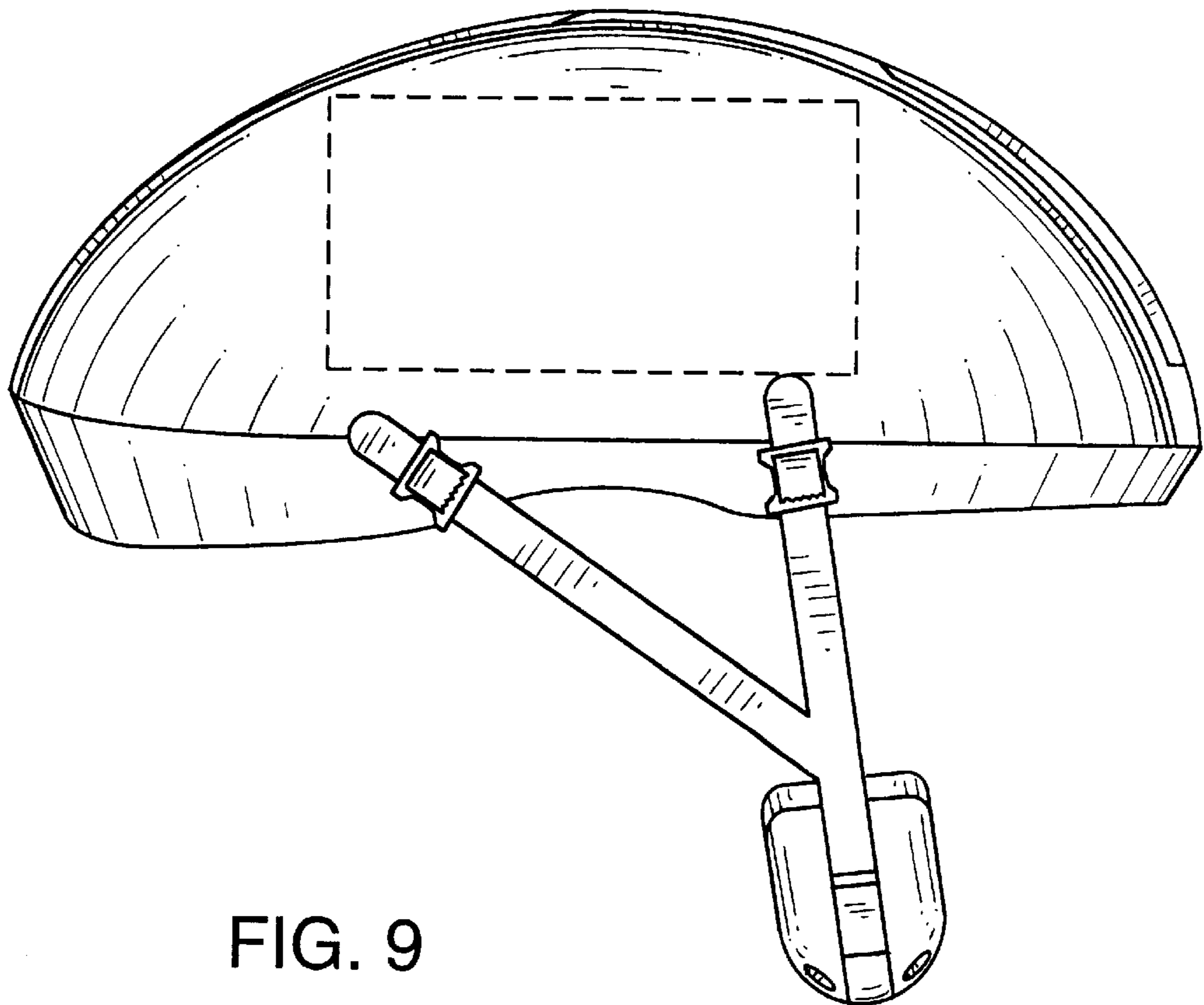


FIG. 9

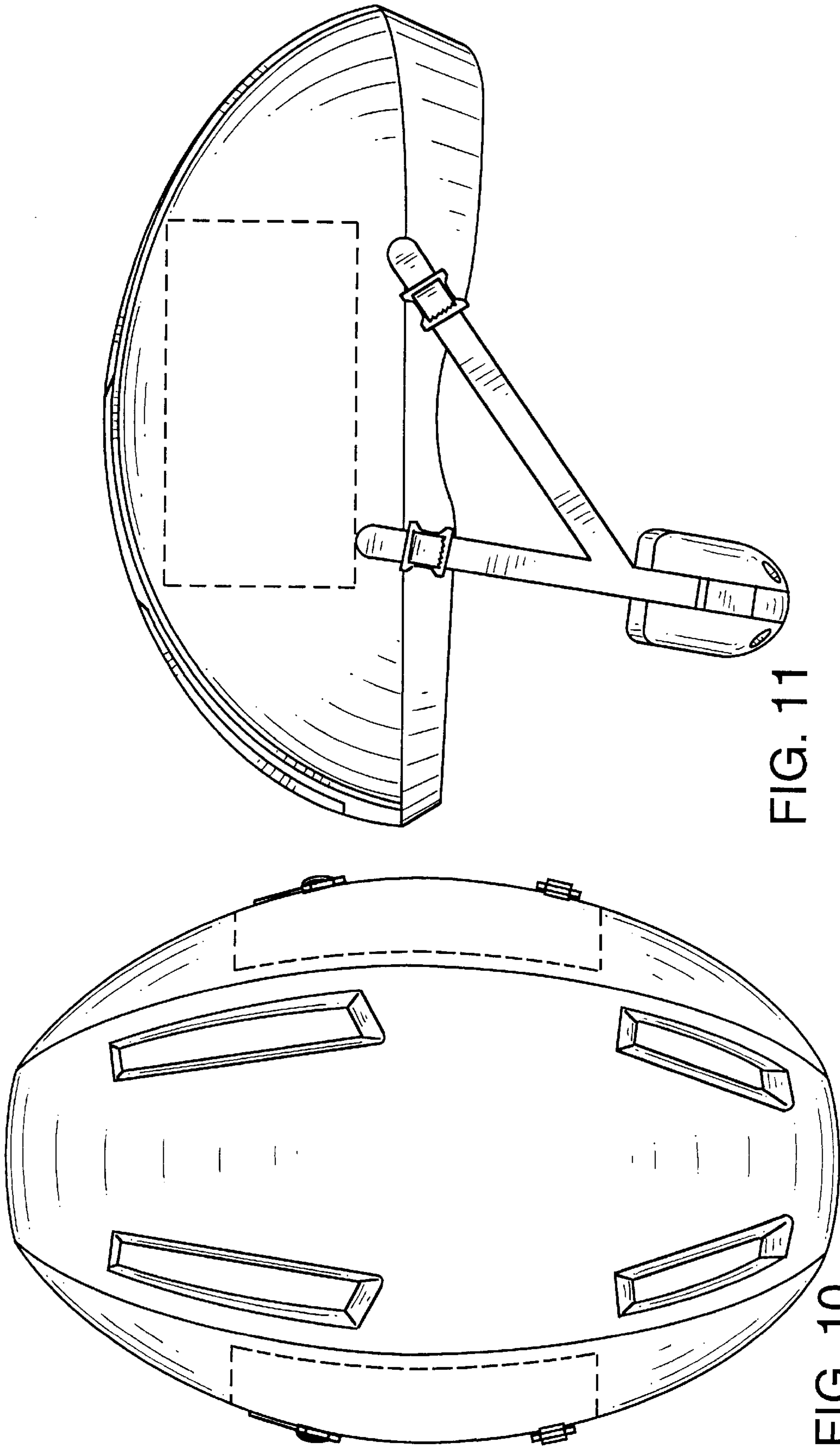


FIG. 11

FIG. 10

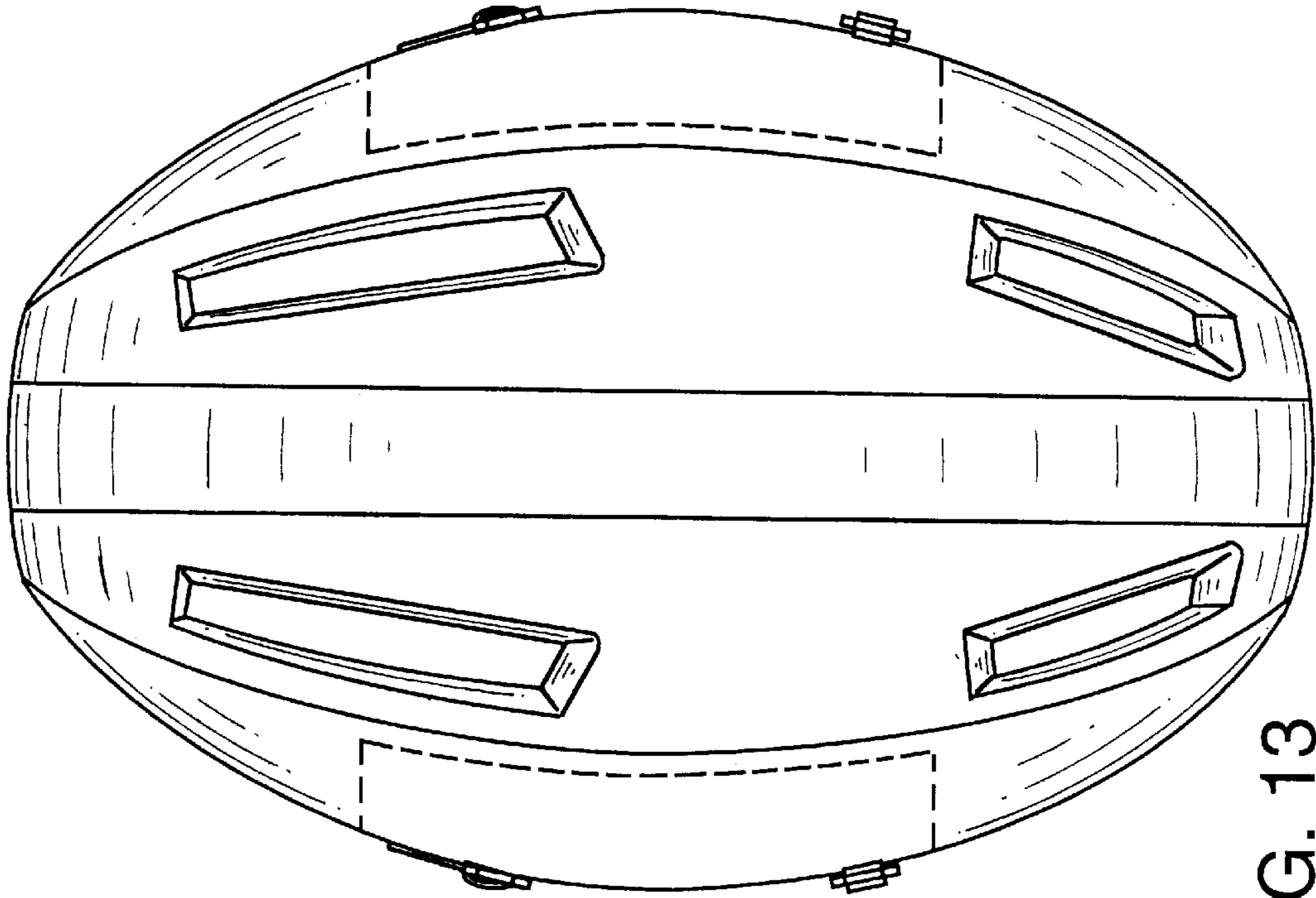


FIG. 13

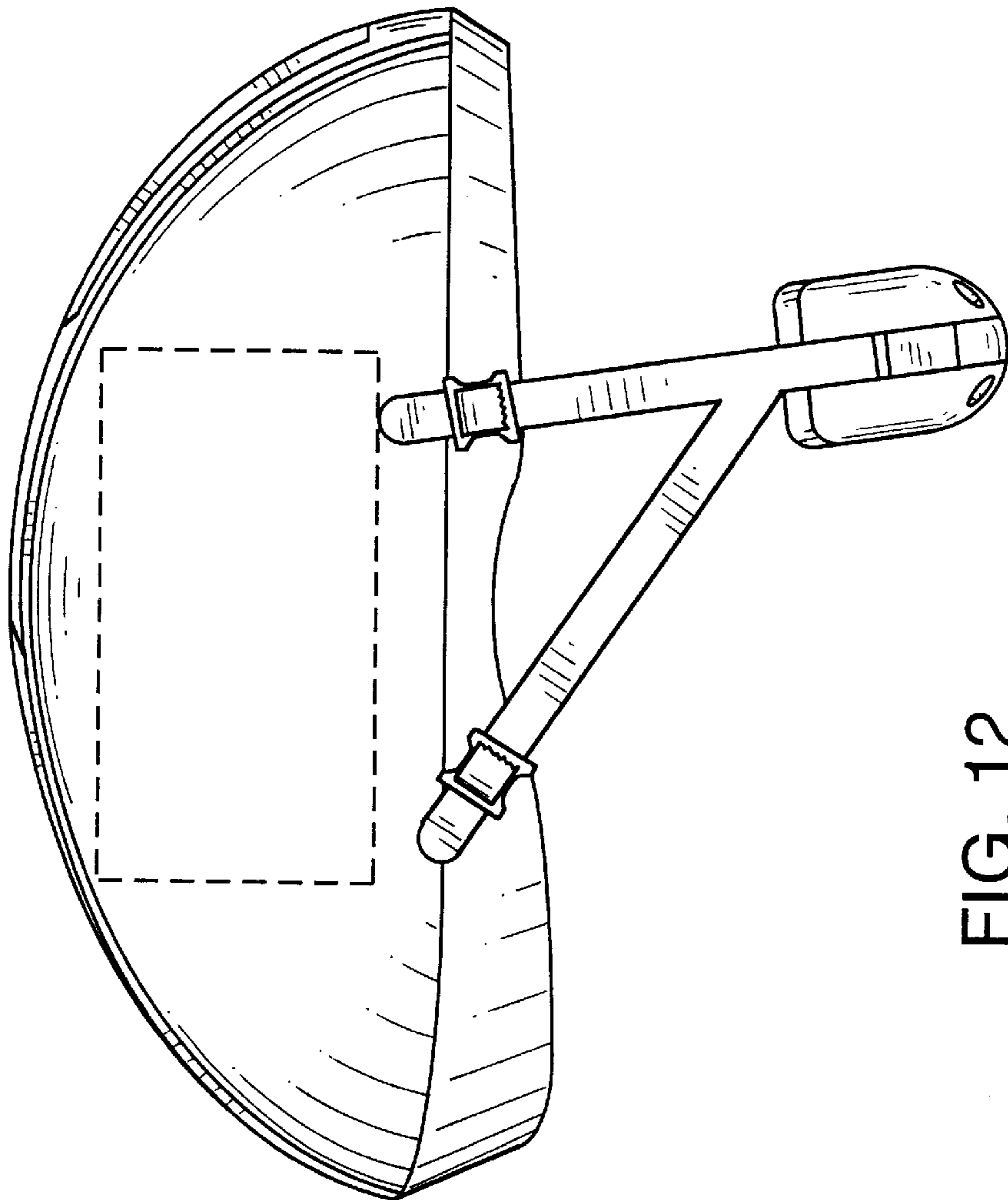


FIG. 12