



US00D417753S

United States Patent [19]
Wiley

[11] **Patent Number: Des. 417,753**

[45] **Date of Patent: ** Dec. 14, 1999**

[54] **BODY HARNESS APPARATUS**

5,738,046 4/1998 Williams et al. 119/770
5,829,443 11/1998 Cunningham 128/869

[76] Inventor: **Evelyn B. Wiley**, 2154 Nathan Dr.
West, Jacksonville, Fla. 32216

Primary Examiner—Louis S. Zarfes
Assistant Examiner—Robert A. Delehanty

[**] Term: **14 Years**

[57] **CLAIM**

[21] Appl. No.: **29/096,311**

The ornamental design for the body harness apparatus, as shown and described.

[22] Filed: **Nov. 10, 1998**

DESCRIPTION

[51] **LOC (6) Cl.** **30-04**

[52] **U.S. Cl.** **D29/101**

[58] **Field of Search** D29/106, 101,
D29/860-862; D2/750, 751, 829, 860-862;
128/874-876, 869-870; 119/770; 2/463,
464; D24/190-1; 250/515.1, 516.1, 519.1

FIG. 1 is a front elevational view of the body harness apparatus according my new design;
FIG. 2 is a rear elevational view thereof;
FIG. 3 is a left side elevational view thereof;
FIG. 4 is a right side elevational view thereof;
FIG. 5 is a top plan view thereof;
FIG. 6 is a bottom plan view thereof; and,
FIG. 7 is an unfolded view thereof.

[56] **References Cited**

U.S. PATENT DOCUMENTS

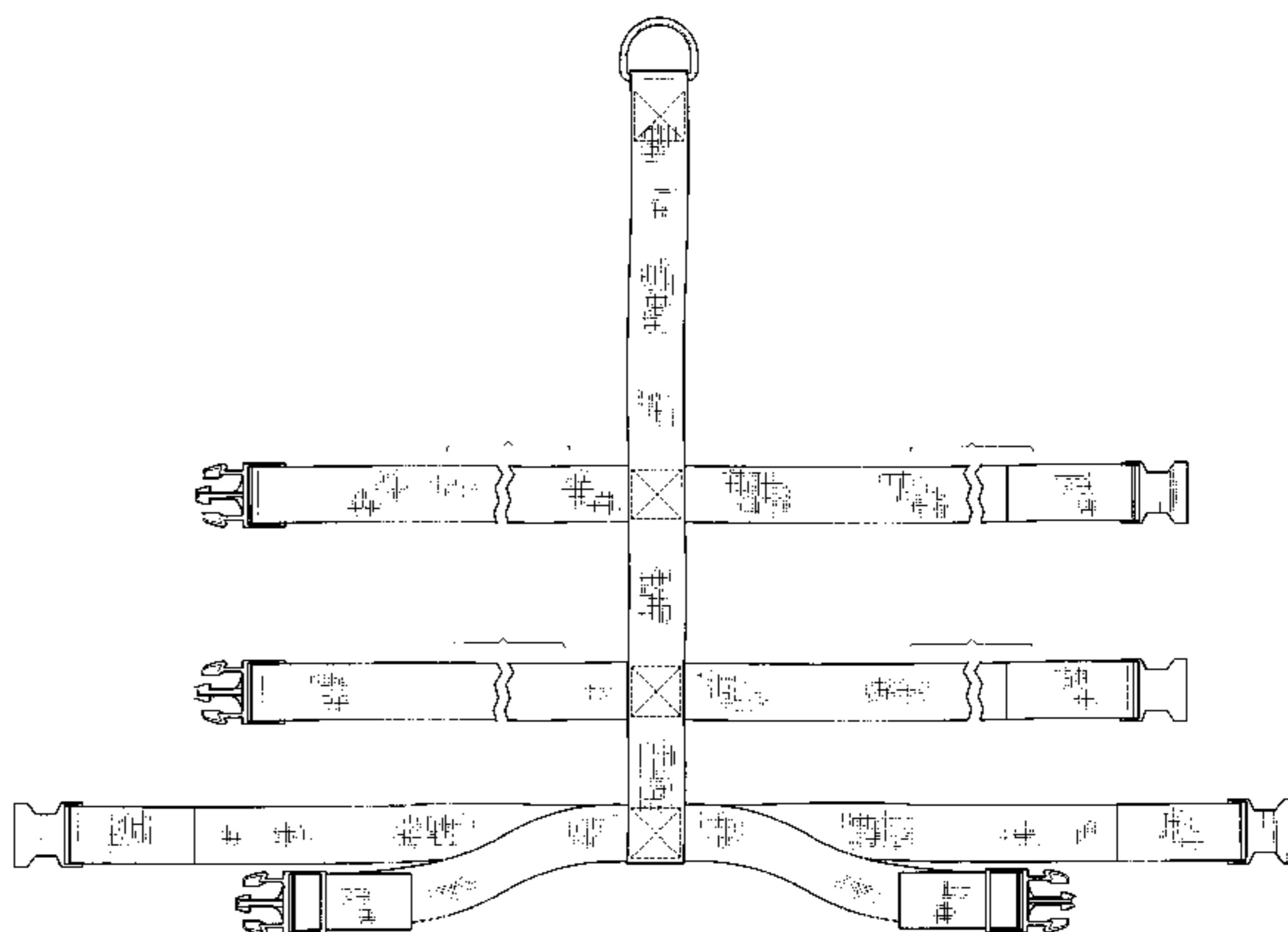
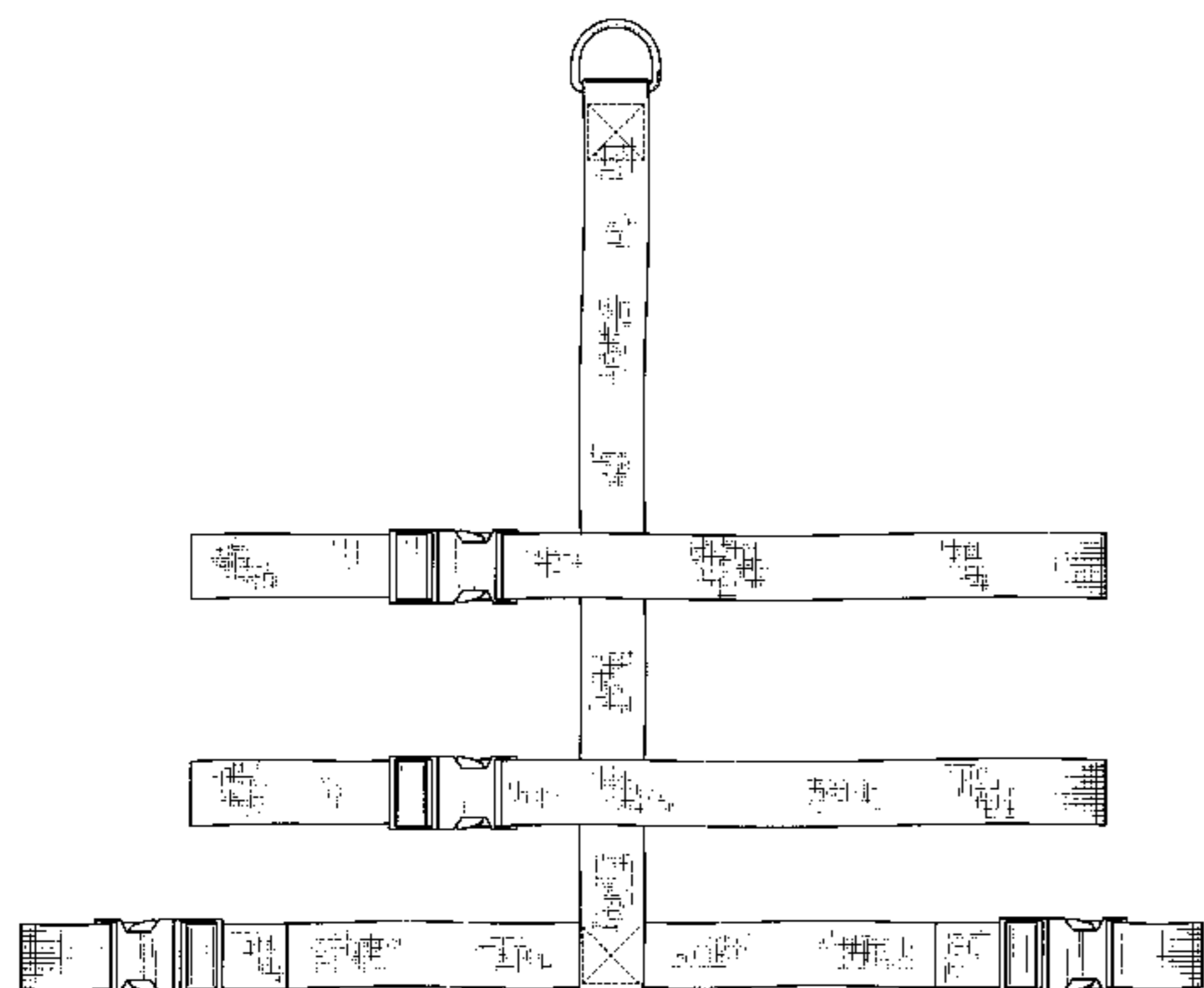
637,156	11/1899	Potts	2/44
744,477	11/1903	Bush	2/44
2,851,033	9/1958	Posey	.
3,252,704	5/1966	Wilson	.
3,526,222	9/1970	Dreibelbis	.
3,701,395	10/1972	Theobald	.
3,889,668	6/1975	Ochs et al.	128/870
4,665,908	5/1987	Calkin	128/870
5,027,833	7/1991	Calkin	128/870
5,211,186	5/1993	Shoemaker et al.	128/870
5,263,495	11/1993	Butterfield	128/845
5,718,669	2/1998	Marble	602/5

The broken line showing of a ring in FIGS. 3 and 4 is for illustrative purposes only and forms no part of the claimed design.

The broken lines on the straps in FIGS. 1, 2 and 7 are understood to represent stitching. The fragmentary criss-cross pattern shown in the drawing is understood to represent fabric and is repeated uniformly throughout the areas shown.

The straps have been shown broken away in FIG. 7 in the drawing to indicate indeterminate length.

1 Claim, 5 Drawing Sheets



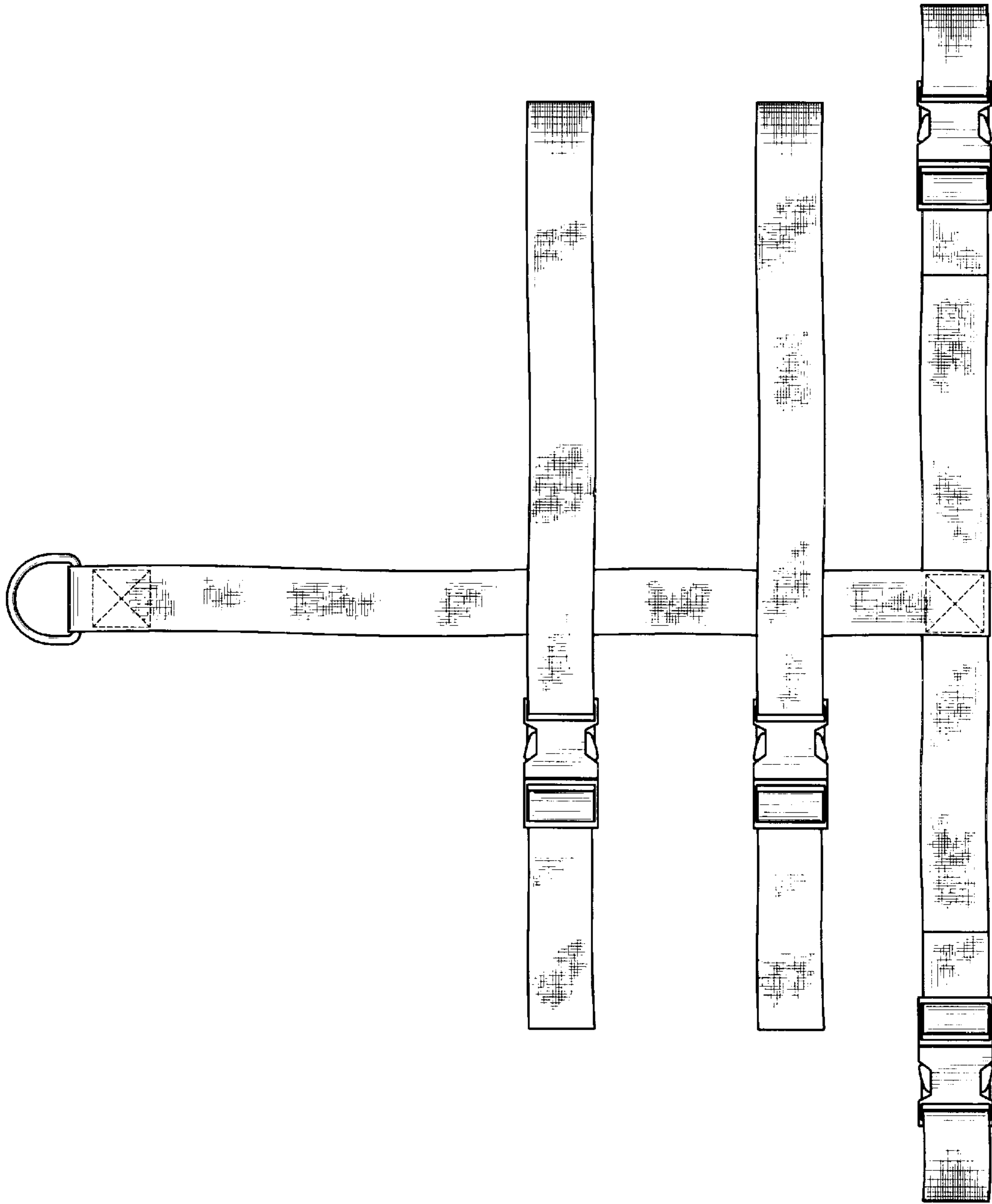


FIG. 1

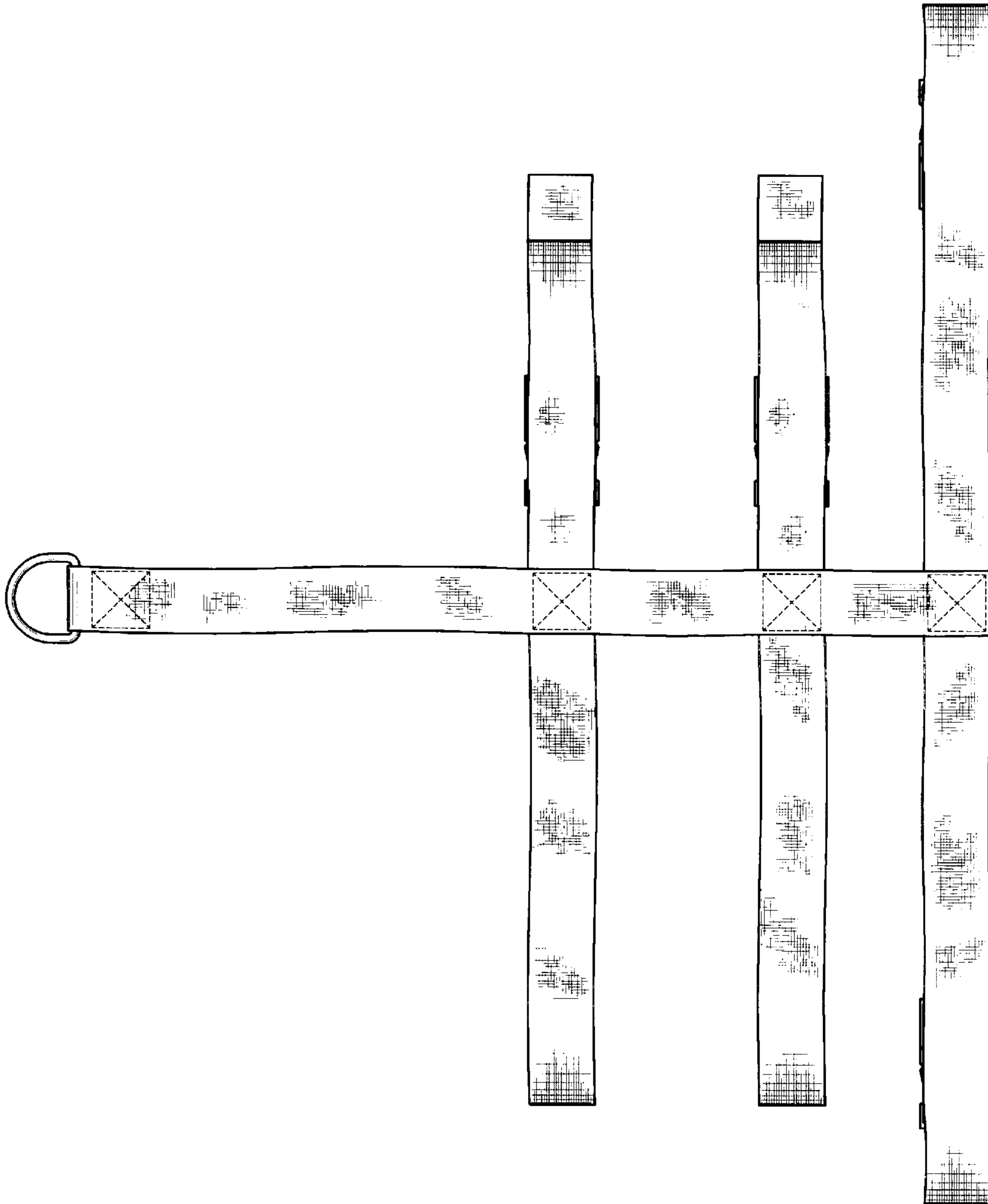


FIG. 2

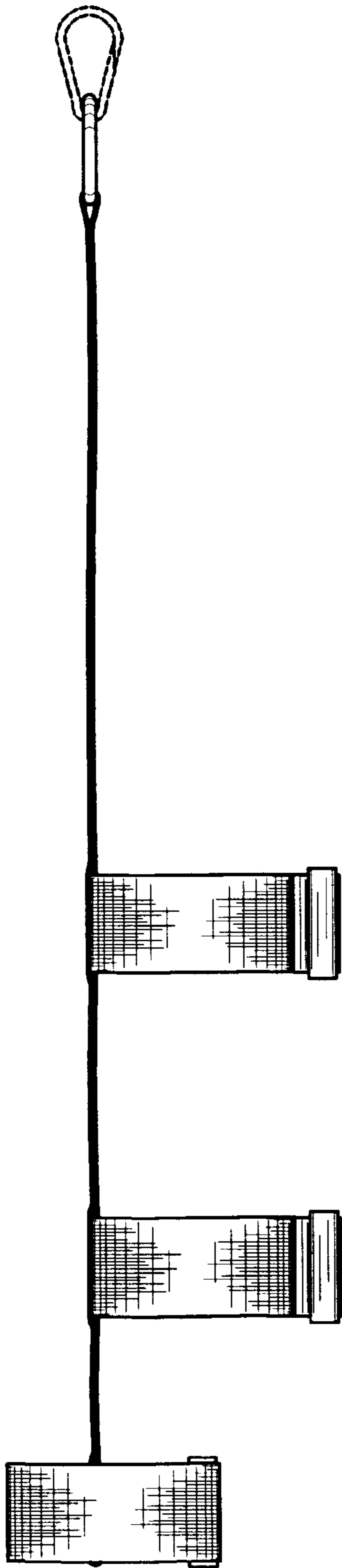


FIG. 3

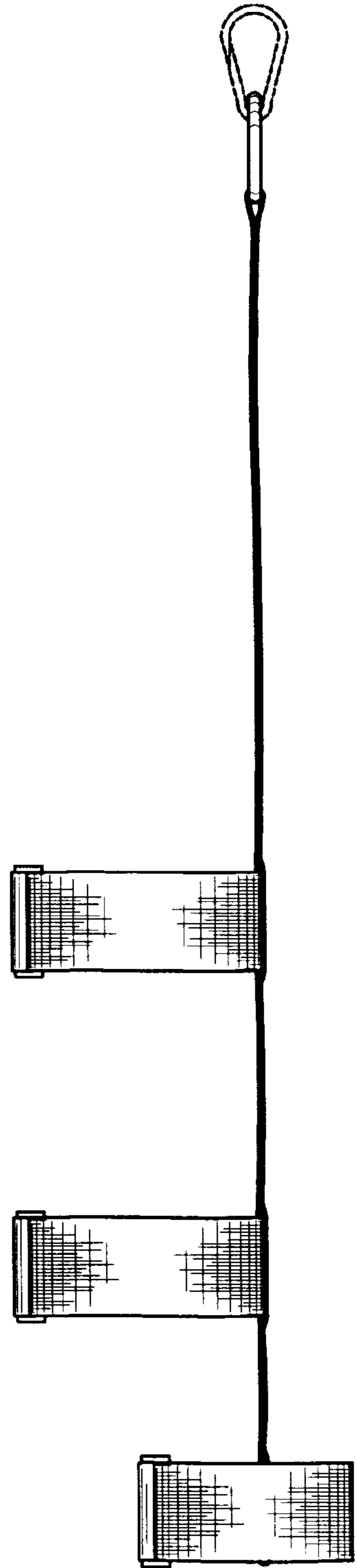


FIG. 4

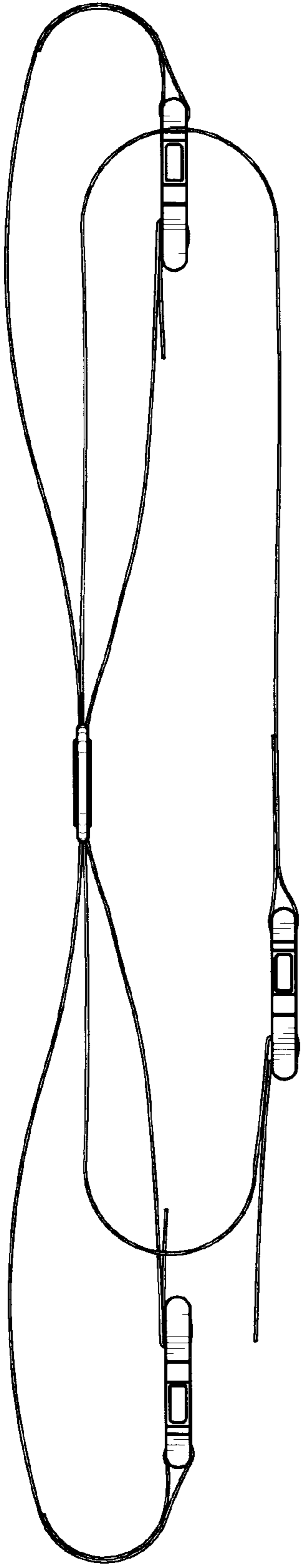


FIG. 5

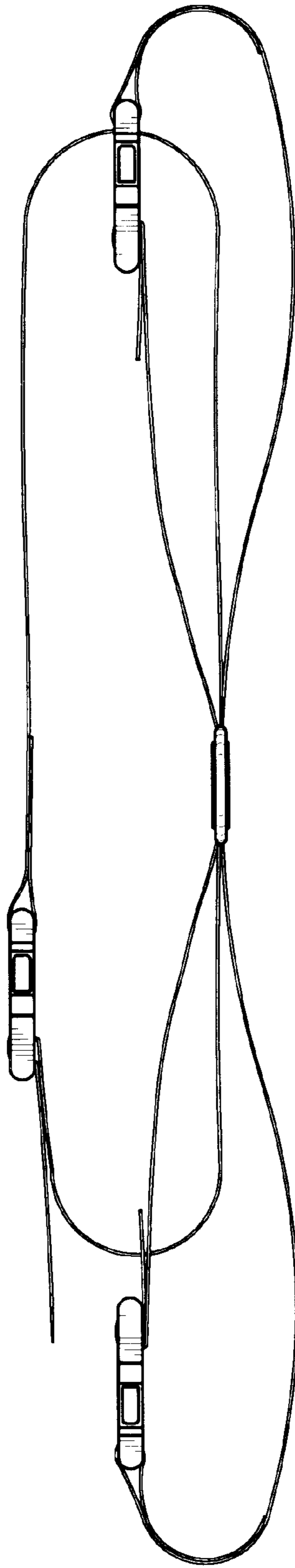


FIG. 6

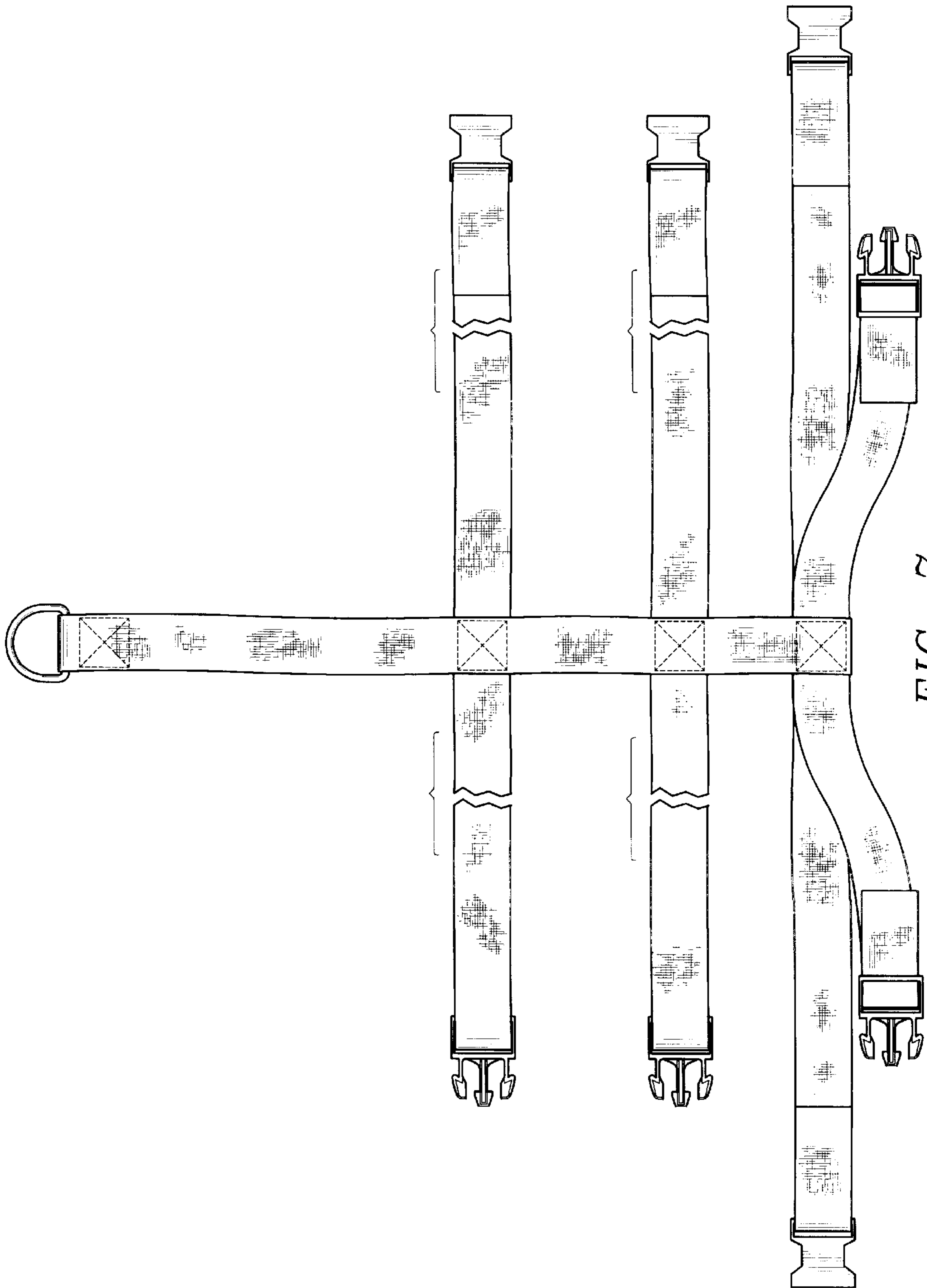


FIG. 7