



US00D417751S

United States Patent [19]

[11] **Patent Number: Des. 417,751**

Simento

[45] **Date of Patent: ** Dec. 14, 1999**

[54] **HAIR DRYER HOLDER**

5,592,749 1/1997 Trimmer 34/97
5,613,305 3/1997 Narrin 34/90

[76] Inventor: **Michel Simento**, Michel Simento Hair Studio, 1800 Abott Kinney, Suite B-C, Venice, Calif. 90291

FOREIGN PATENT DOCUMENTS

2607784 6/1988 France 392/380
100075 7/1923 Switzerland 248/160

[**] Term: **14 Years**

Primary Examiner—Ted Shooman
Assistant Examiner—C. Tuttle
Attorney, Agent, or Firm—Loeb & Loeb LLP

[21] Appl. No.: **29/074,173**

[22] Filed: **Jul. 28, 1997**

[57] CLAIM

[51] **LOC (6) Cl.** **28-03**

[52] **U.S. Cl.** **D28/73**

The ornamental design for a hair dryer holder, as shown and described.

[58] **Field of Search** D28/12, 17, 18, D28/73; D3/274, 295, 288, 297, 298; D6/397, 399, 400, 414, 432, 433, 436, 438, 439, 440, 441, 448, 418, 496, 454, 329, 466, 512, 509, 527, 559-562; 312/237, 238, 290, 297, 209, 309, 321.5, 117, 324; D24/128, 199; D8/73, 355; D26/62, 51, 138; 211/26, 70.6; 248/160, 125.8, 105, 106, 309.1

DESCRIPTION

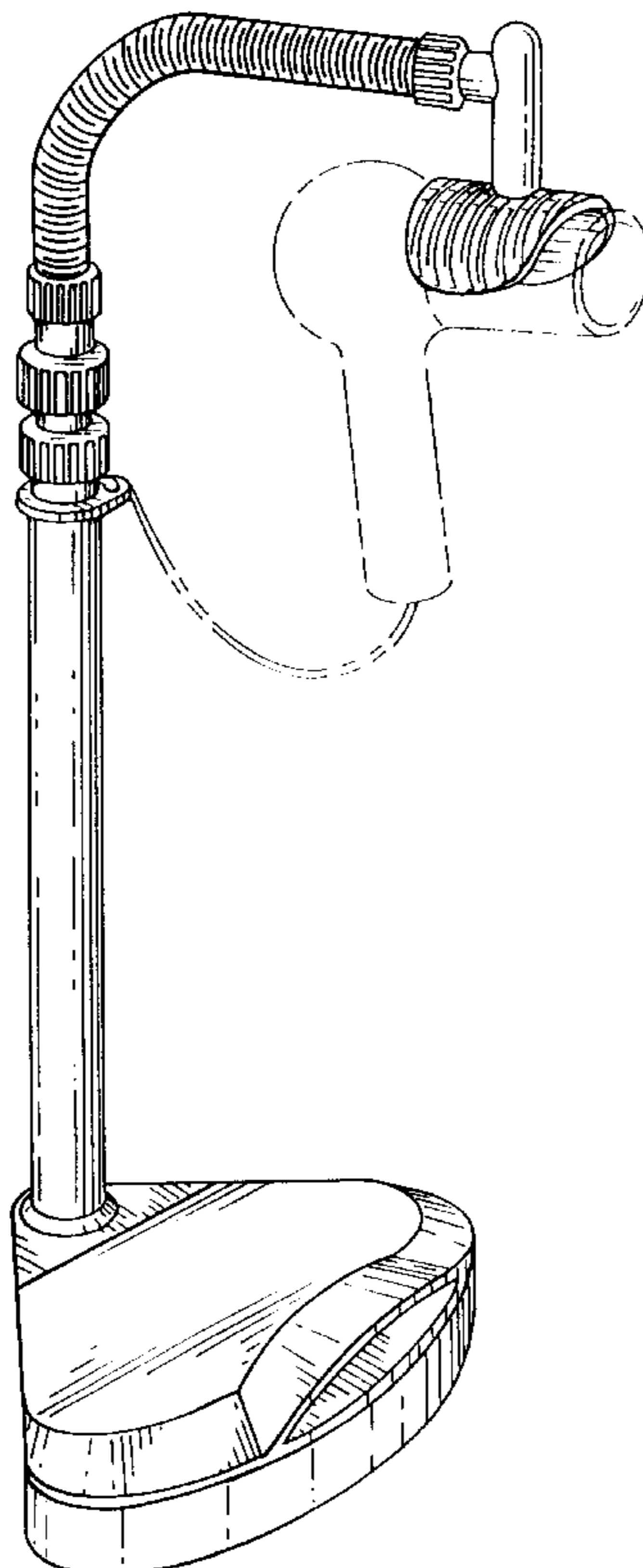
FIG. 1 is a front perspective view of the hair dryer holder showing my new design, the hair dryer and electrical cord shown in broken line is for illustrative purposes only and forms no part of the claimed design;
FIG. 2 is a front elevational view thereof;
FIG. 3 is a rear elevational view thereof;
FIG. 4 is left side elevational view thereof, the right side elevational view being a mirror image thereof;
FIG. 5 is a top plan view thereof;
FIG. 6 is a bottom plan view thereof; and,
FIG. 7 is a front perspective view of the design of FIG. 1 with the cover of the base portion shown in the open position, the hair dryer and electrical cord shown in broken line is for illustrative purposes only and forms no part of the claimed design.

[56] References Cited

U.S. PATENT DOCUMENTS

D. 158,607 5/1950 McNair et al. D28/17
D. 159,875 8/1950 Versen D26/62
D. 342,343 12/1993 Slivko D28/18
D. 351,919 10/1994 Rorke D26/51
2,784,261 3/1957 Anklesaria 248/103 X
3,060,472 10/1962 Horton 15/4
4,278,223 7/1981 Fauteux 248/125.8
5,011,104 4/1991 Fang 248/125.8
5,174,531 12/1992 Perakis 248/124.1

1 Claim, 5 Drawing Sheets



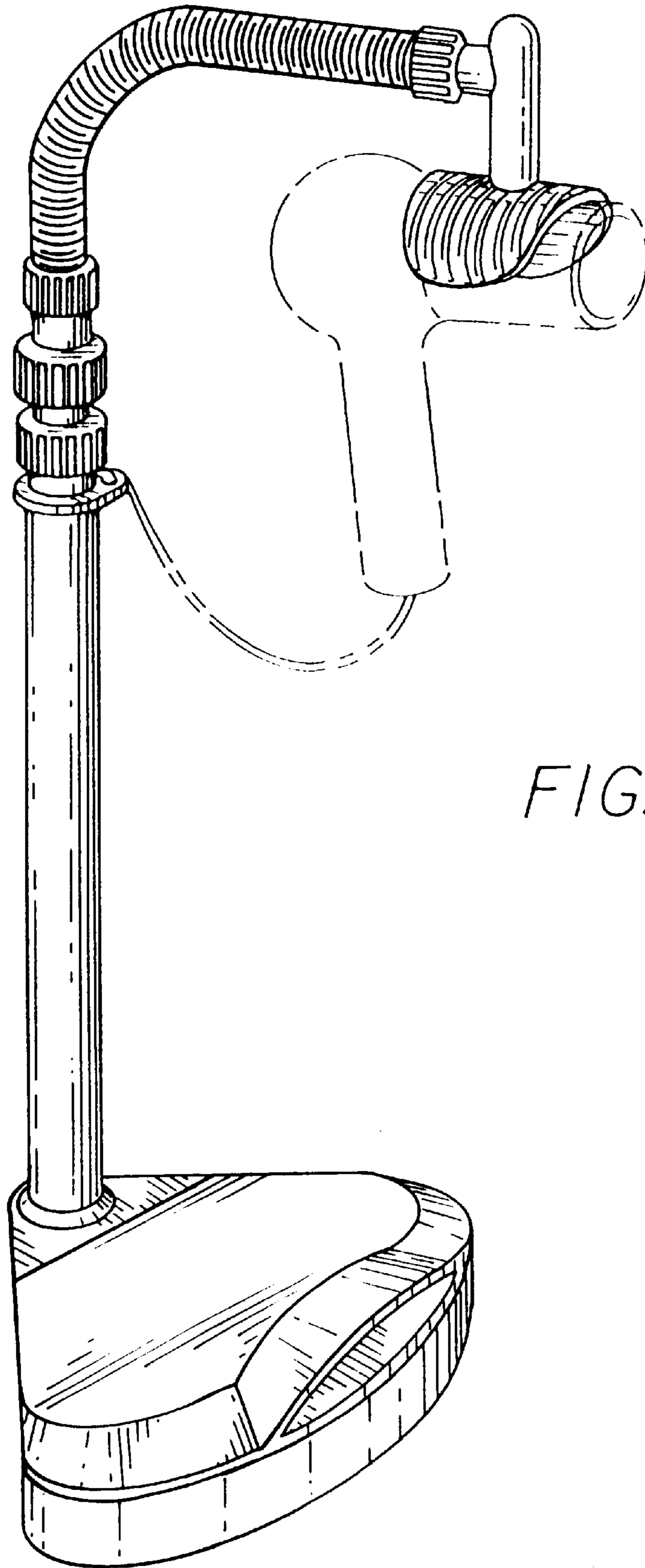


FIG. 1

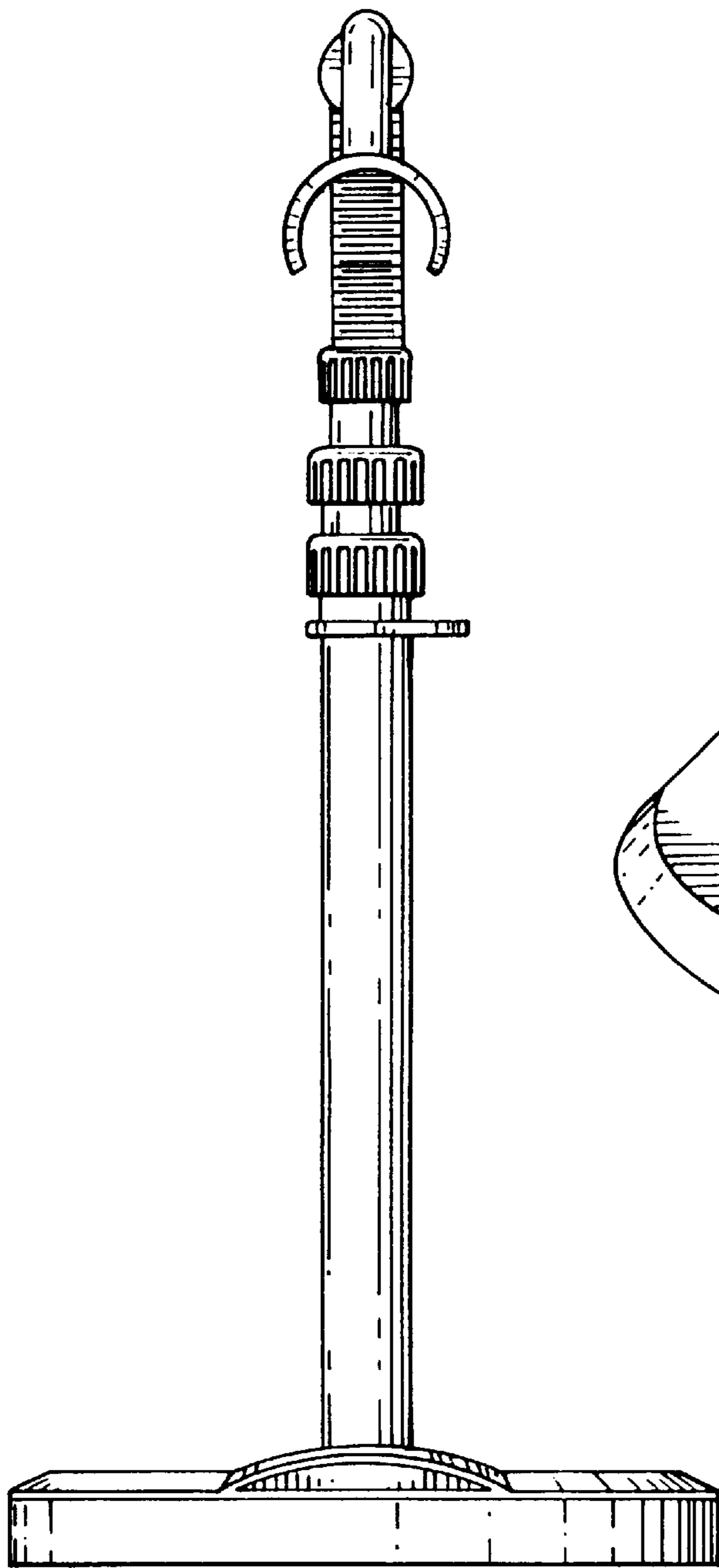
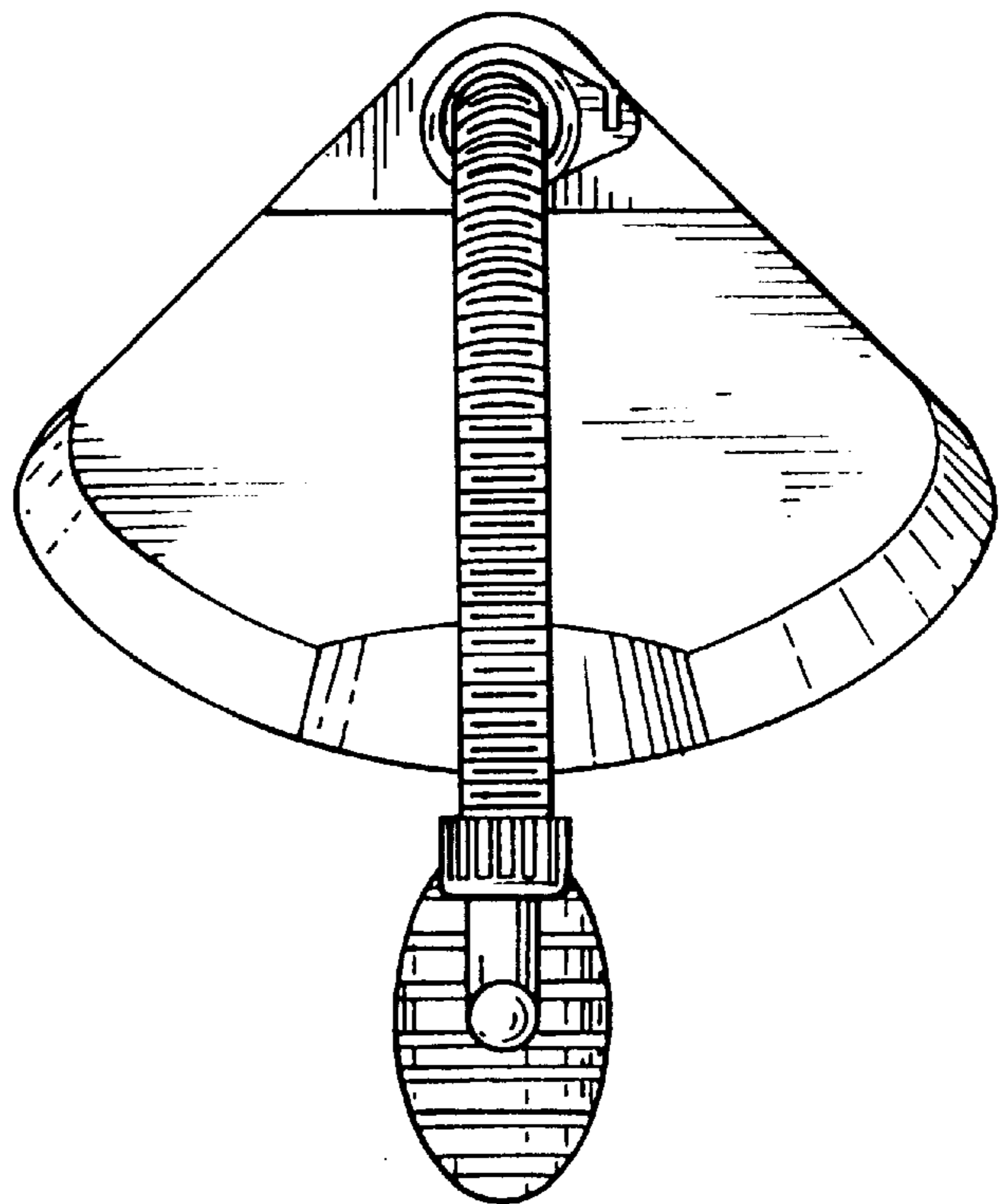


FIG. 2

FIG. 5



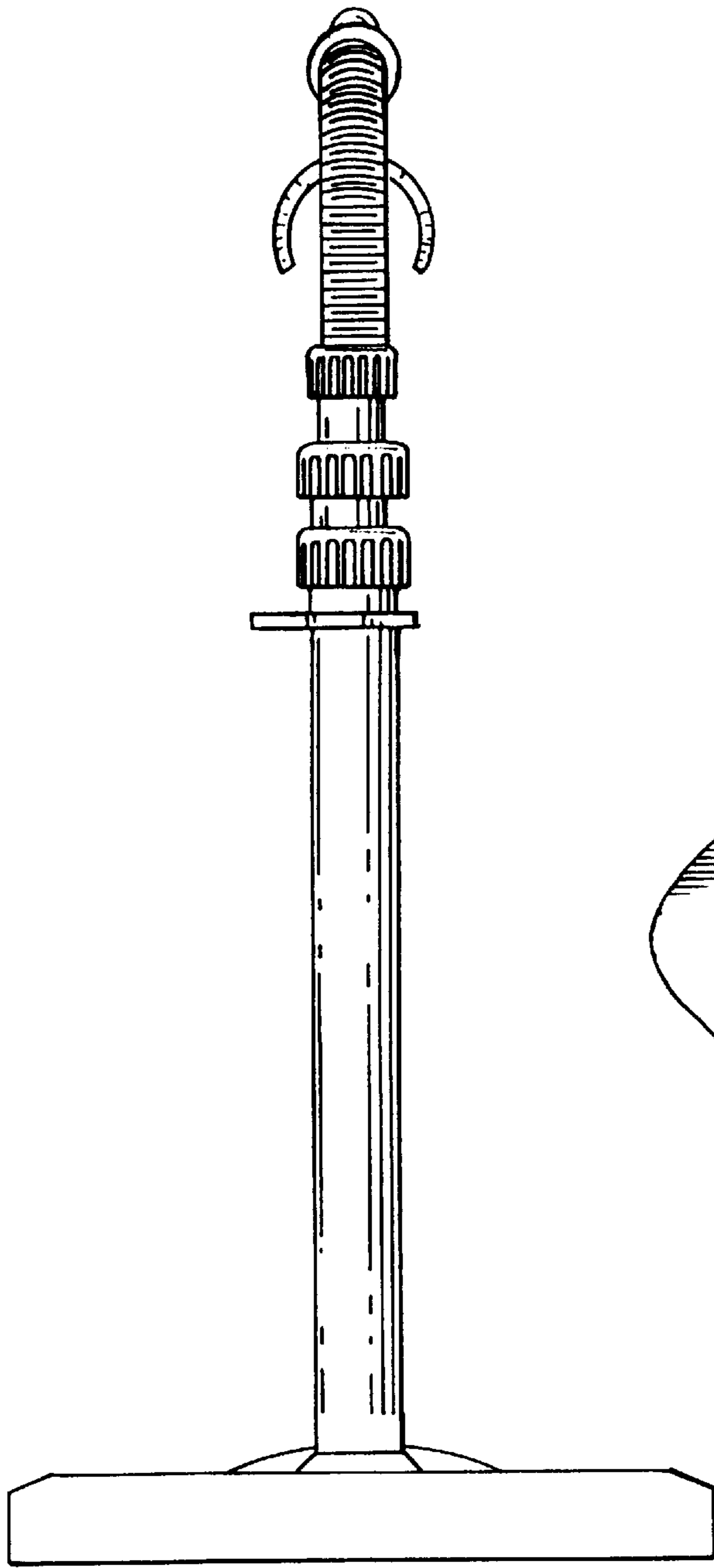
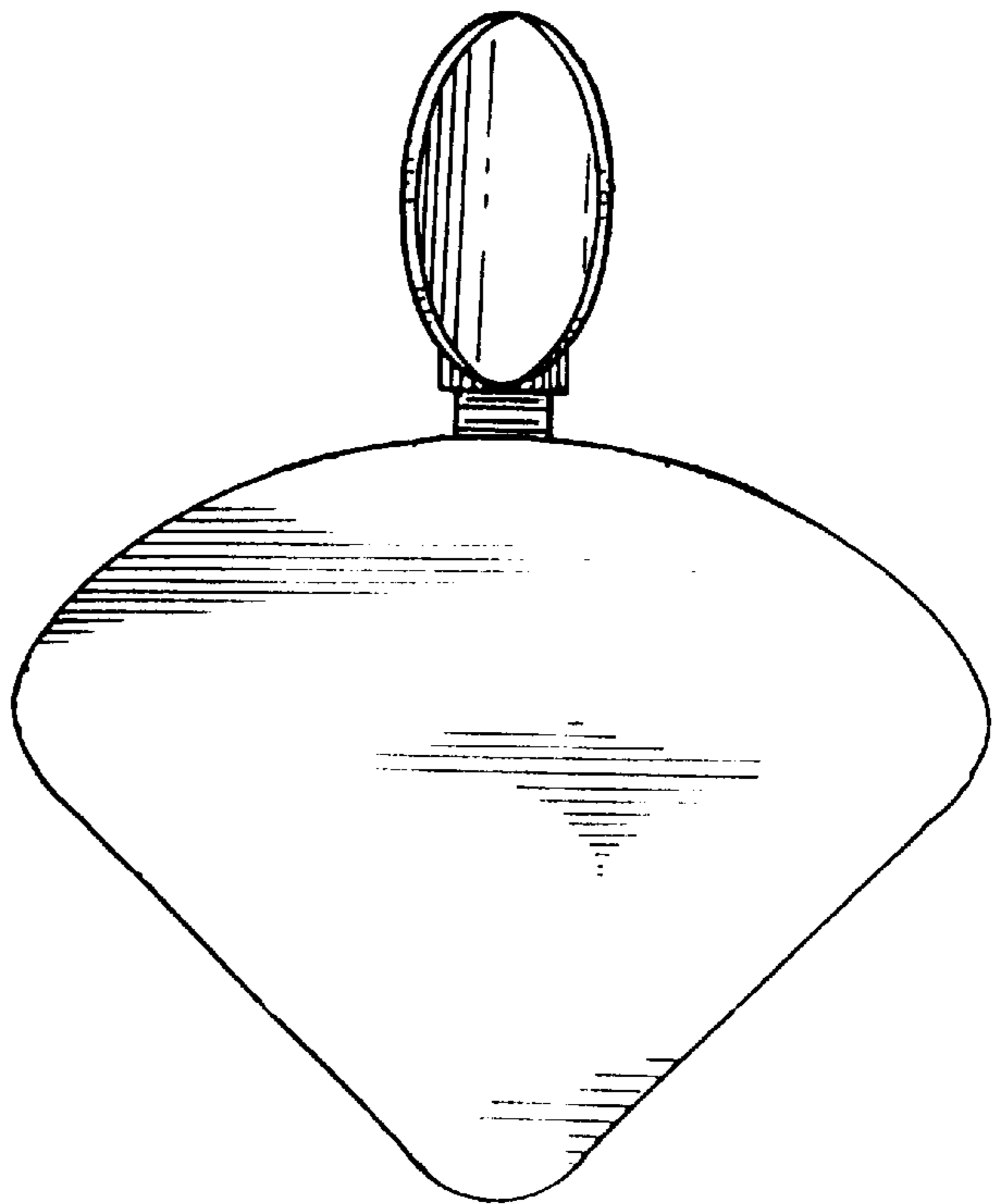


FIG. 3

FIG. 6



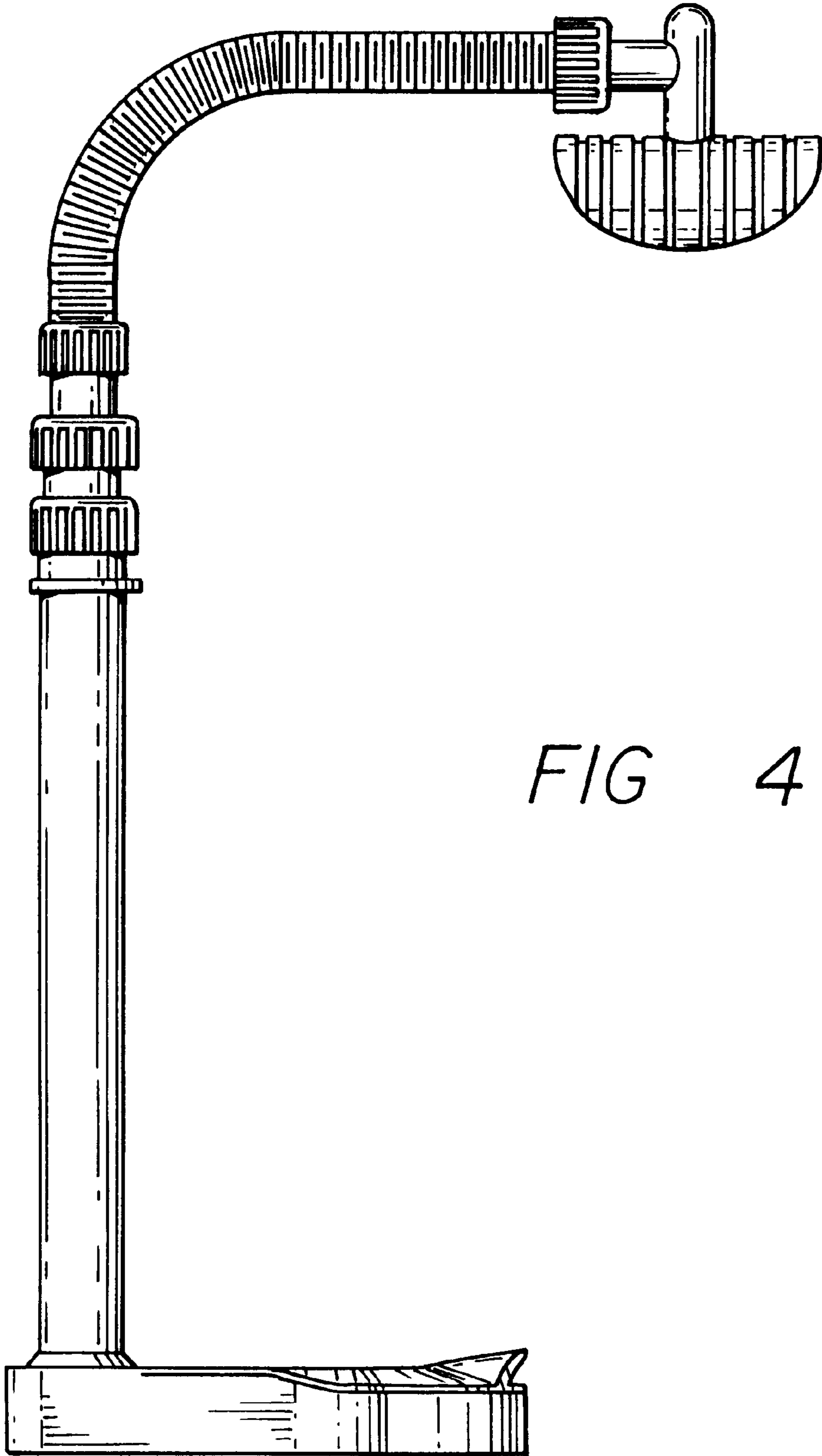


FIG 4

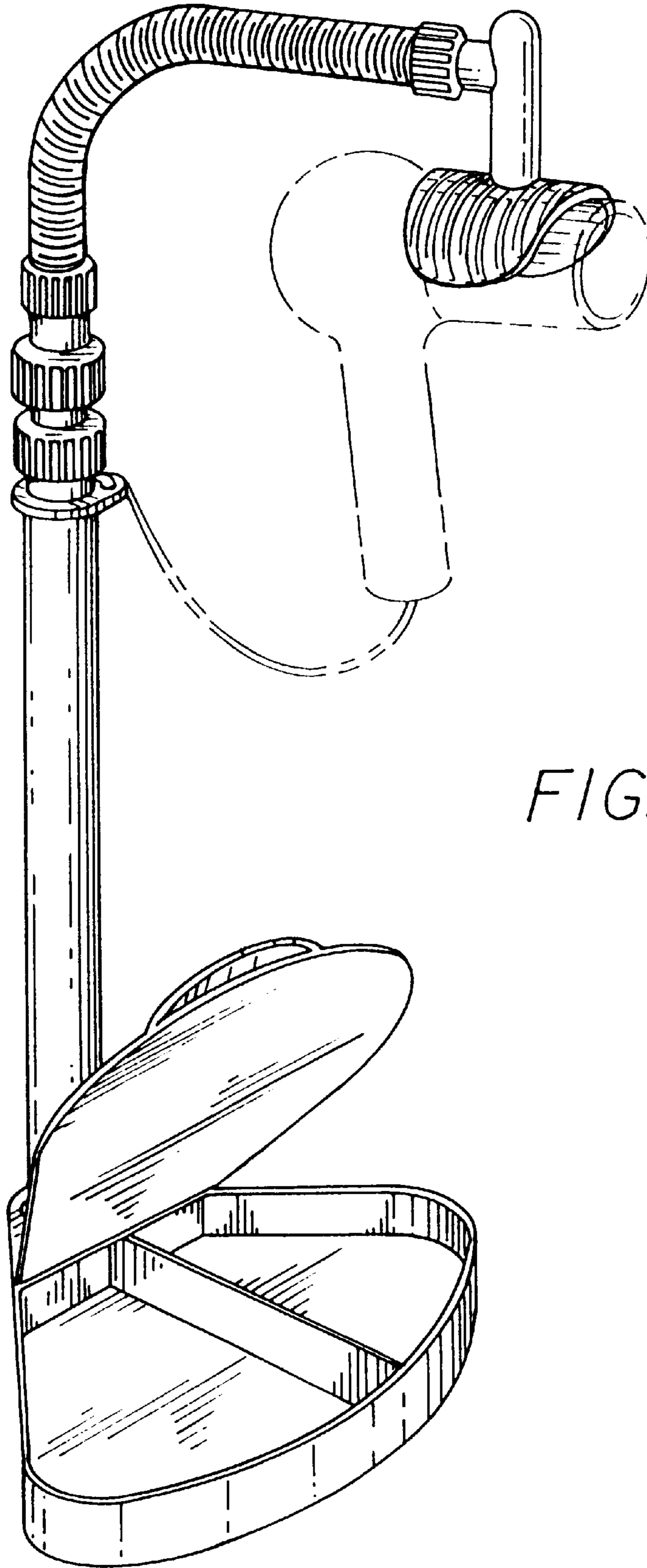


FIG. 7