



US00D417748S

United States Patent [19]
Miranda

[11] **Patent Number: Des. 417,748**

[45] **Date of Patent: ** Dec. 14, 1999**

[54] **GLASS SHADE**

[76] **Inventor: Pasquale Miranda, 154 Sleepy Hollow Rd., Briarcliff Manor, N.Y. 10510**

[**] **Term: 14 Years**

[21] **Appl. No.: 29/090,514**

[22] **Filed: Jul. 10, 1998**

[51] **LOC (6) Cl. 26-05**

[52] **U.S. Cl. D26/135**

[58] **Field of Search D26/118, 119, D26/128-136; 362/297, 341, 348, 351, 353, 355, 356, 357, 358, 347, 350, 326, 327, 333, 334, 335, 336, 337, 338, 339**

[56] **References Cited**

U.S. PATENT DOCUMENTS

D. 41,821	10/1911	Thayer	D28/129
D. 405,208	2/1999	Walz	D26/86
863,178	8/1907	Holt et al.	362/361

Primary Examiner—Susan J. Lucas

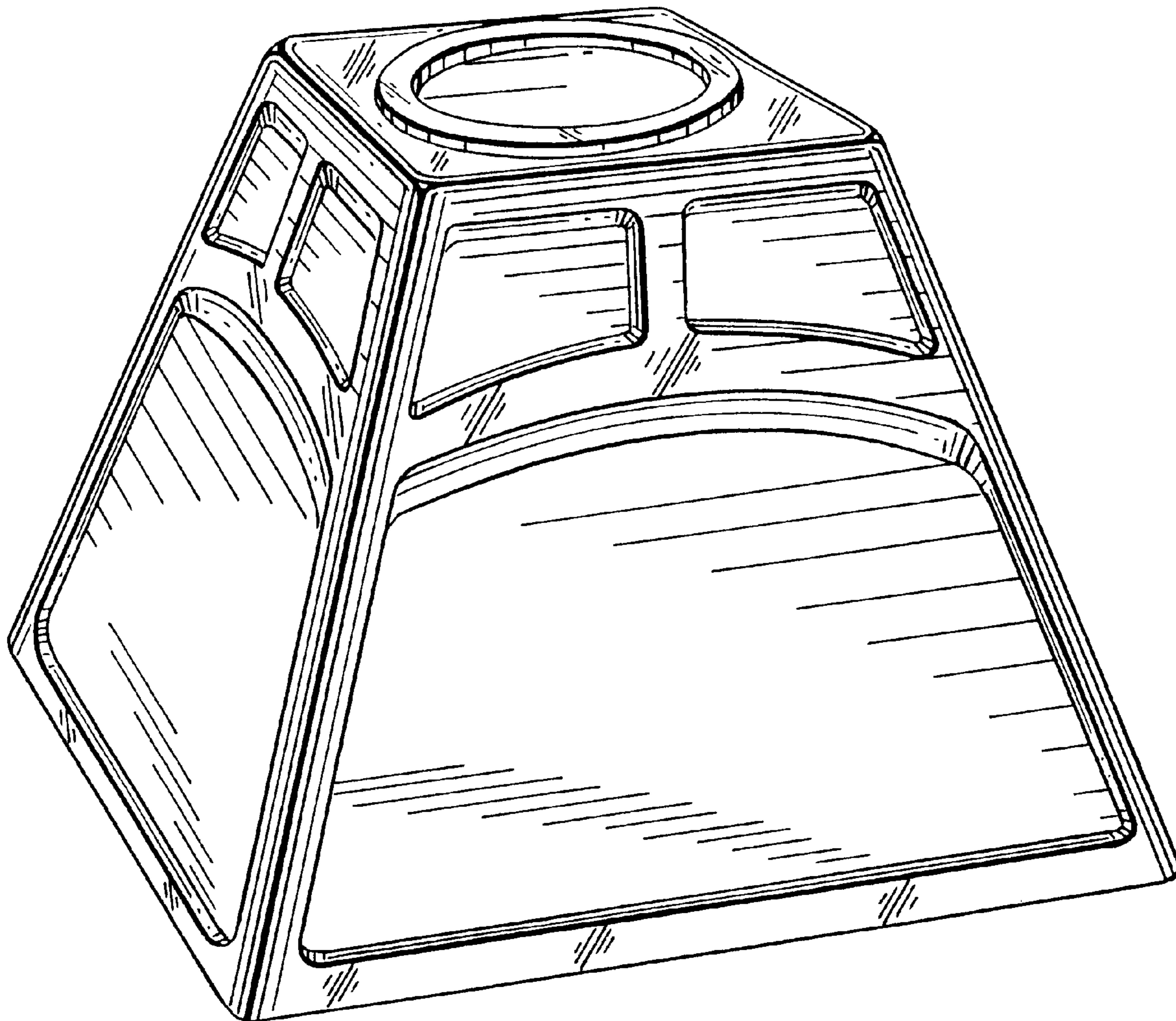
[57] **CLAIM**

The ornamental design for a glass shade, as shown.

DESCRIPTION

FIG. 1 is a front view.
FIG. 2 is a top view; and,
FIG. 3 is a perspective view.

1 Claim, 2 Drawing Sheets



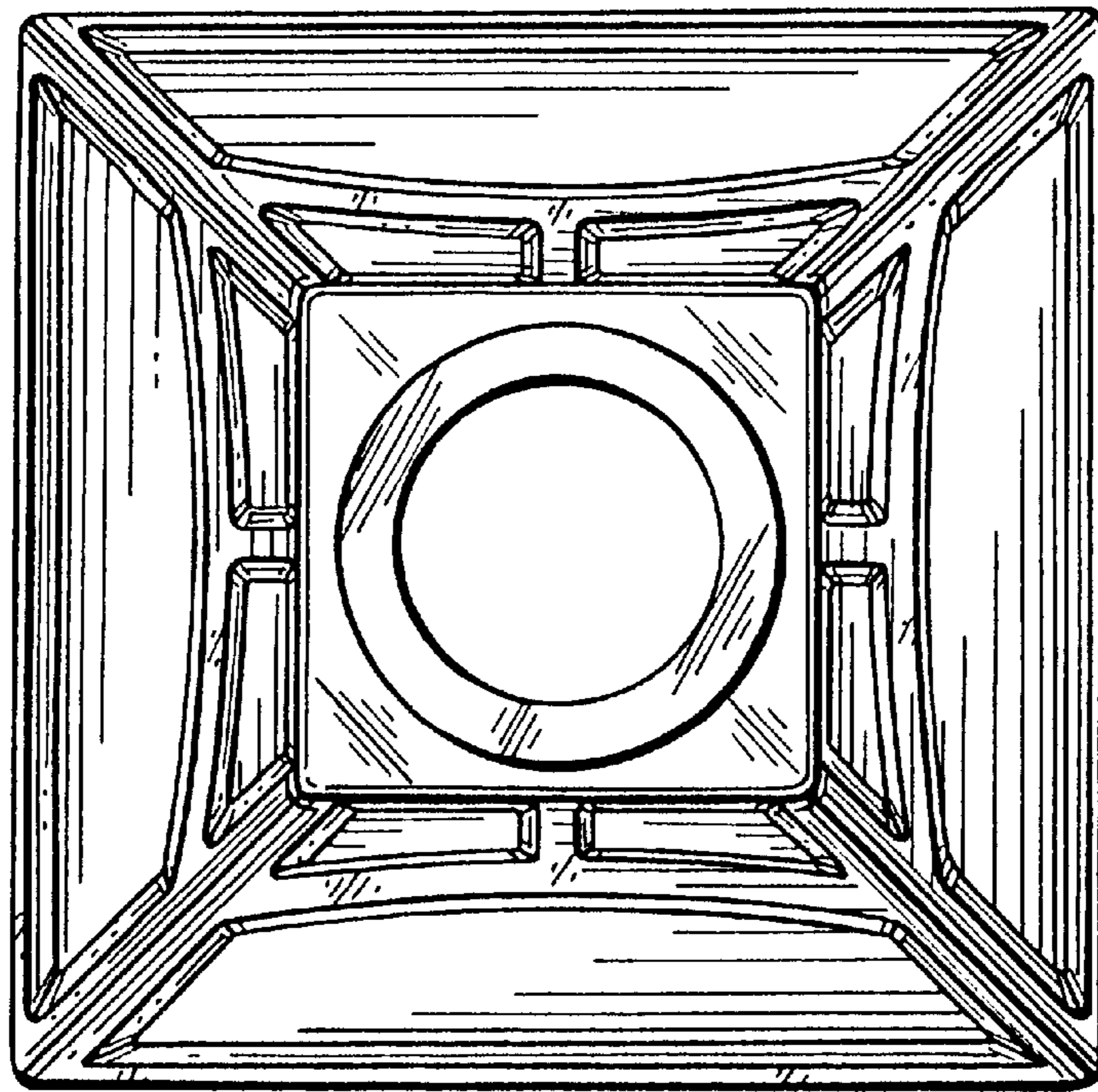


FIG. 2

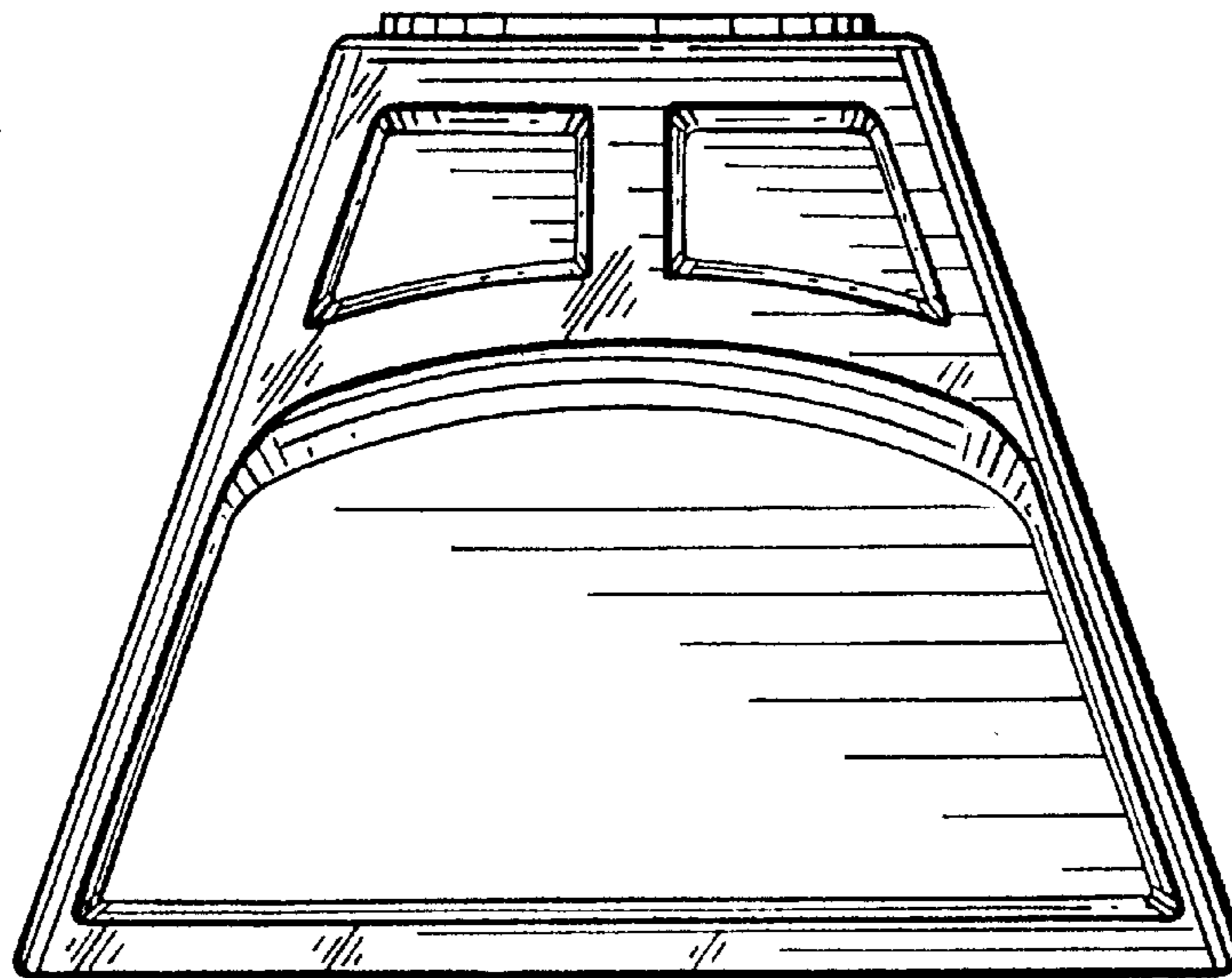


FIG. 1

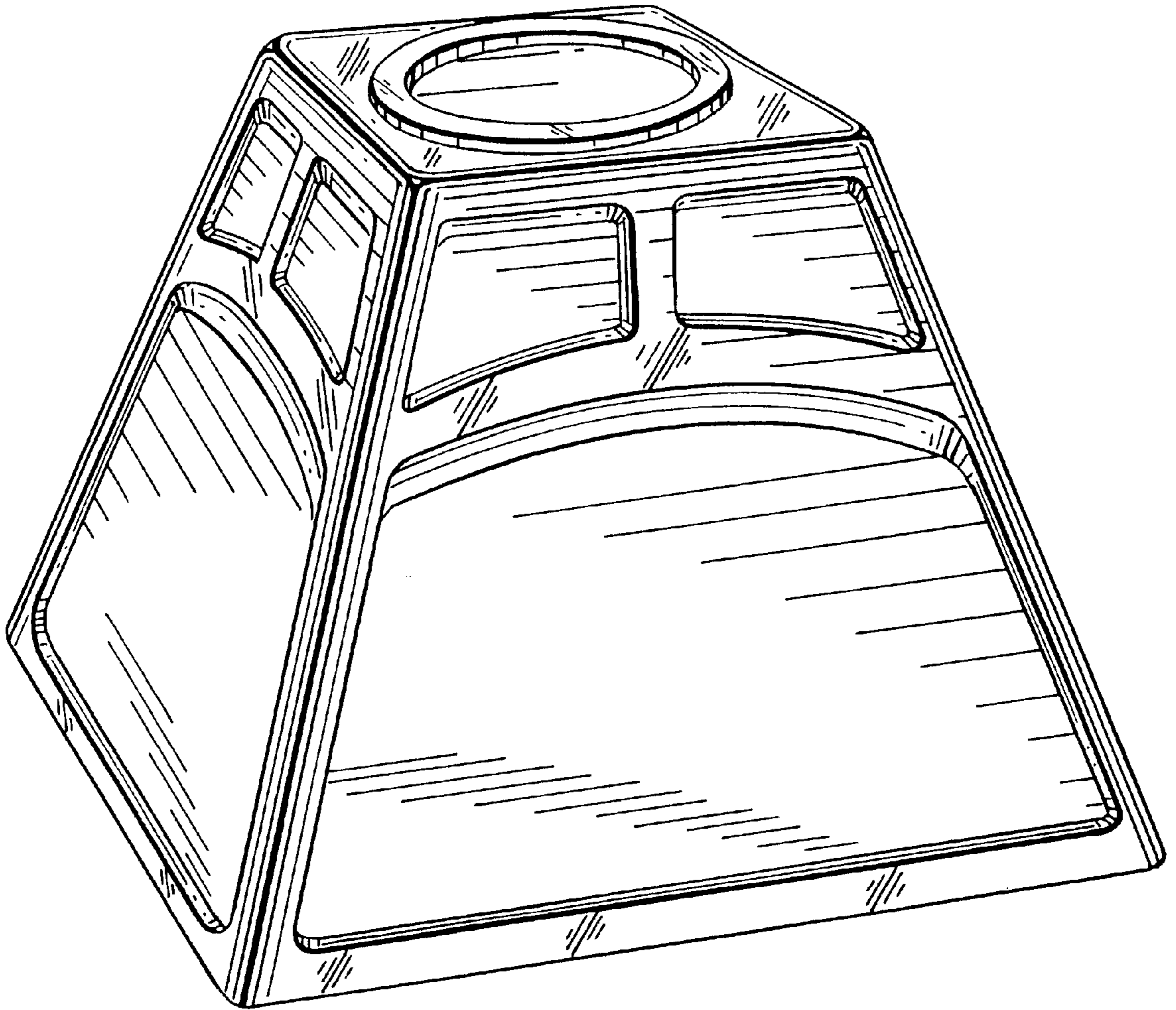


FIG. 3