



US00D417747S

United States Patent [19] Pahl

[11] Patent Number: **Des. 417,747**

[45] Date of Patent: **** Dec. 14, 1999**

[54] **RECESSED LIGHTING FIXTURE TRIM**

D. 387,466 12/1997 Lecluze D26/118

[75] Inventor: **Scott Pahl**, San Leandro, Calif.

Primary Examiner—Susan J. Lucas
Attorney, Agent, or Firm—Theodore J. Bielen, Jr.

[73] Assignee: **Prescolite-Moldcast Lighting Company**, San Leandro, Calif.

[**] Term: **14 Years**

[57] **CLAIM**

The ornamental design for an recessed lighting fixture trim, as shown and described.

[21] Appl. No.: **29/094,977**

[22] Filed: **Oct. 14, 1998**

DESCRIPTION

[51] **LOC (6) Cl.** **26-99**

FIG. 1 is a bottom side perspective view showing my new design.

[52] **U.S. Cl.** **D26/118**

FIG. 2 is a front elevational view, the left side, right side, and rear side views being identical thereto.

[58] **Field of Search** D26/74, 86, 118,
D26/119, 88, 89, 90; 362/345, 354, 364,
365, 366, 404, 147, 240

FIG. 3 is a bottom plan view; and,

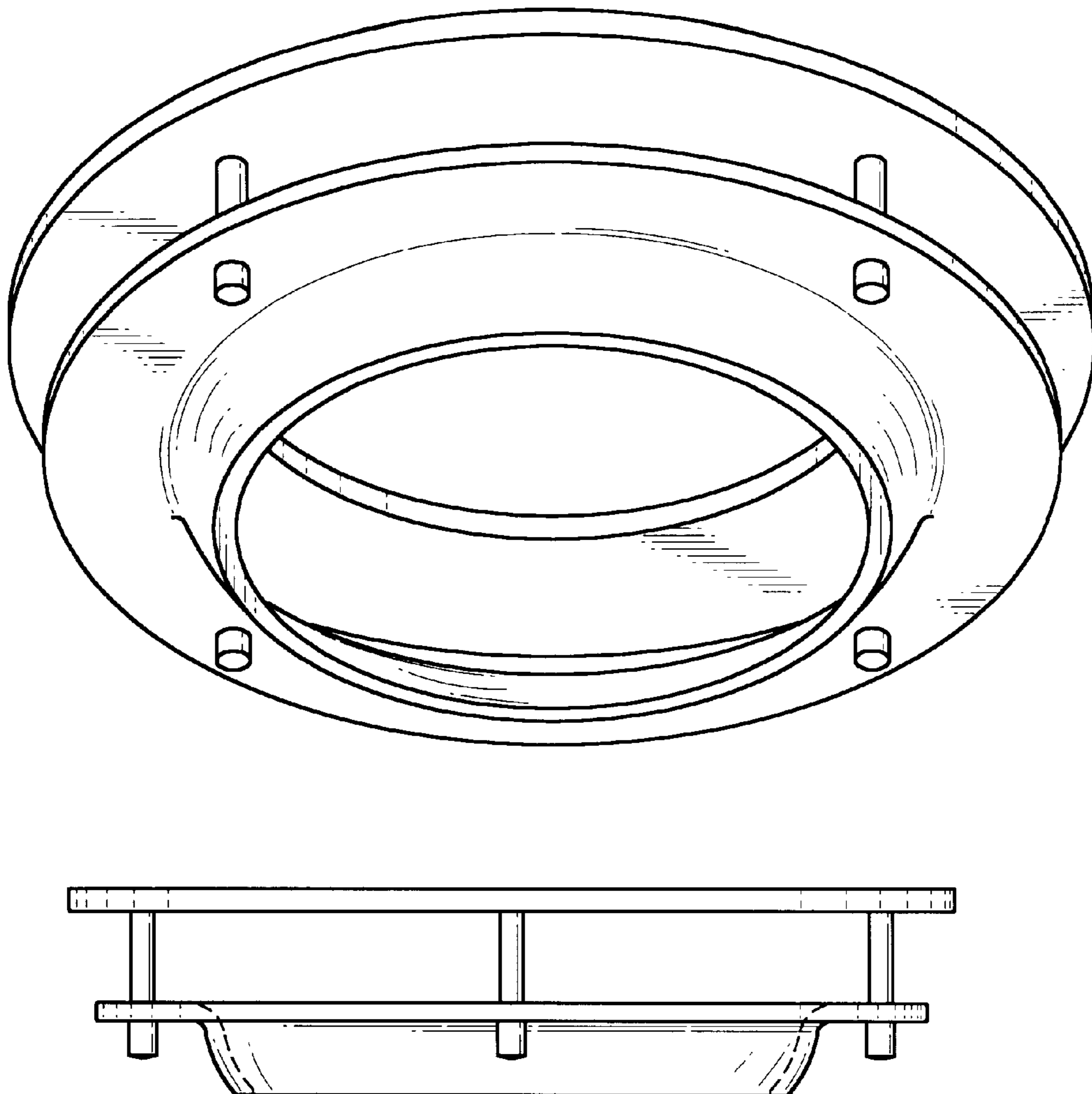
FIG. 4 is a top plan view, thereof.

[56] **References Cited**

U.S. PATENT DOCUMENTS

D. 341,443 11/1993 Shapiro D26/118

1 Claim, 2 Drawing Sheets



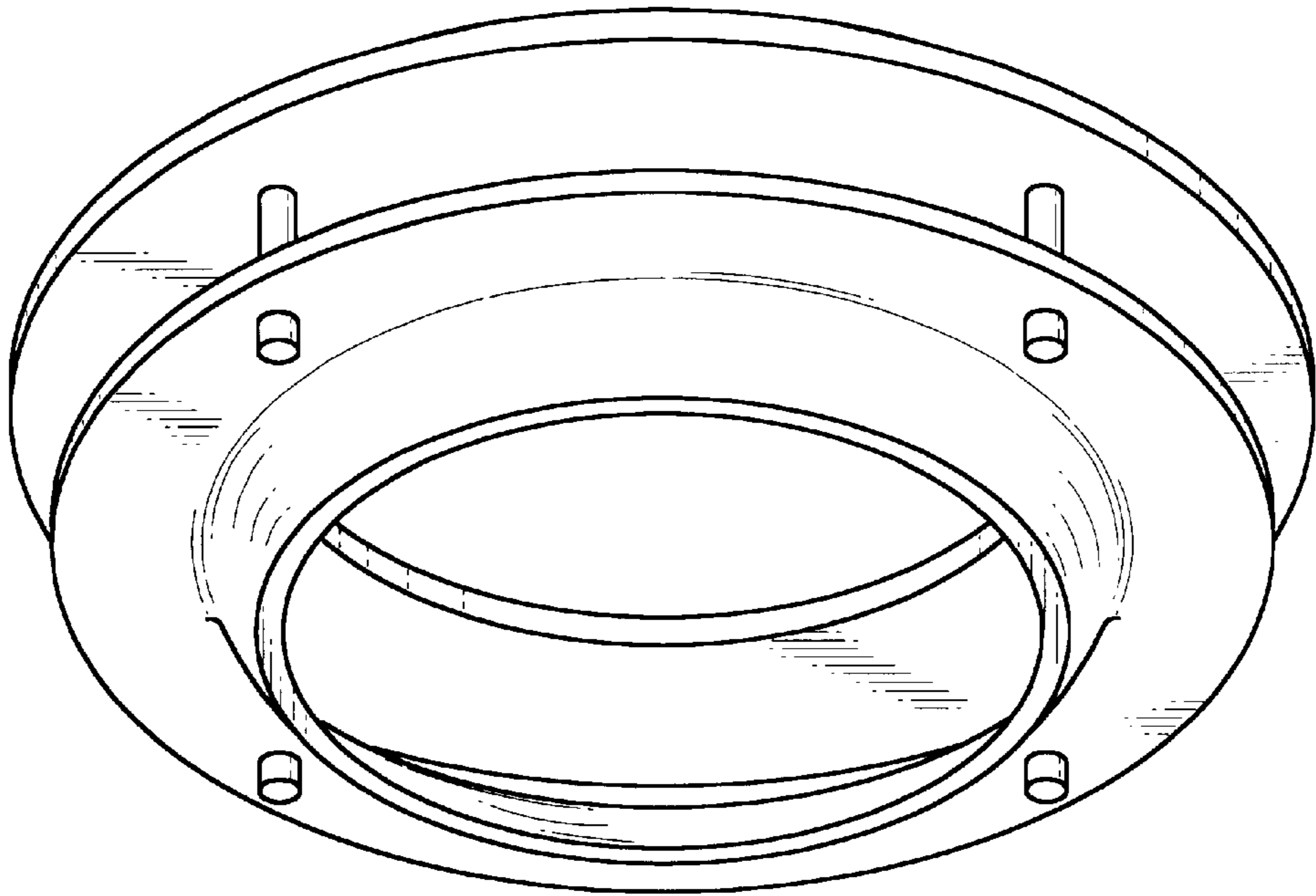


FIG. 1

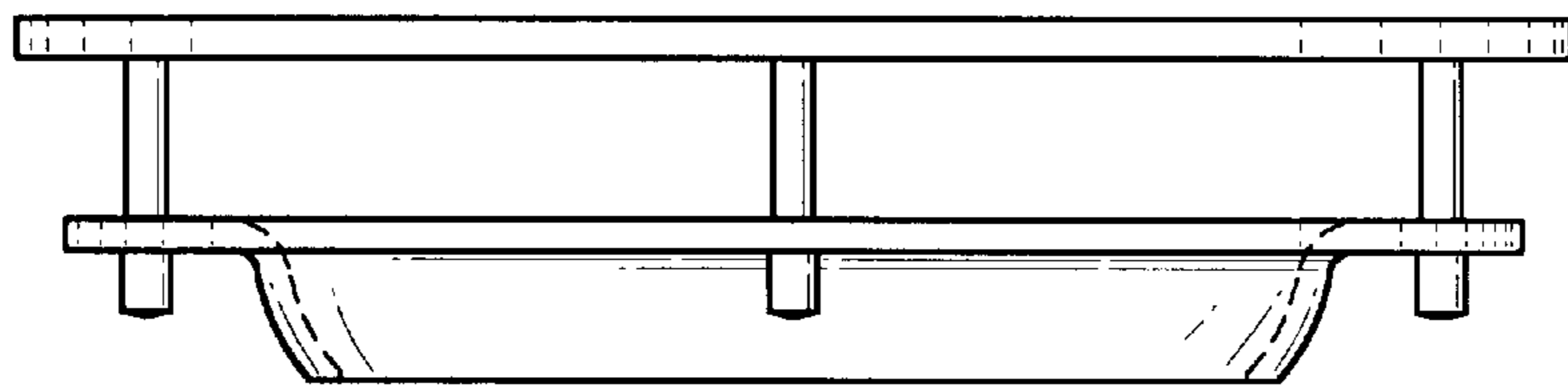


FIG. 2

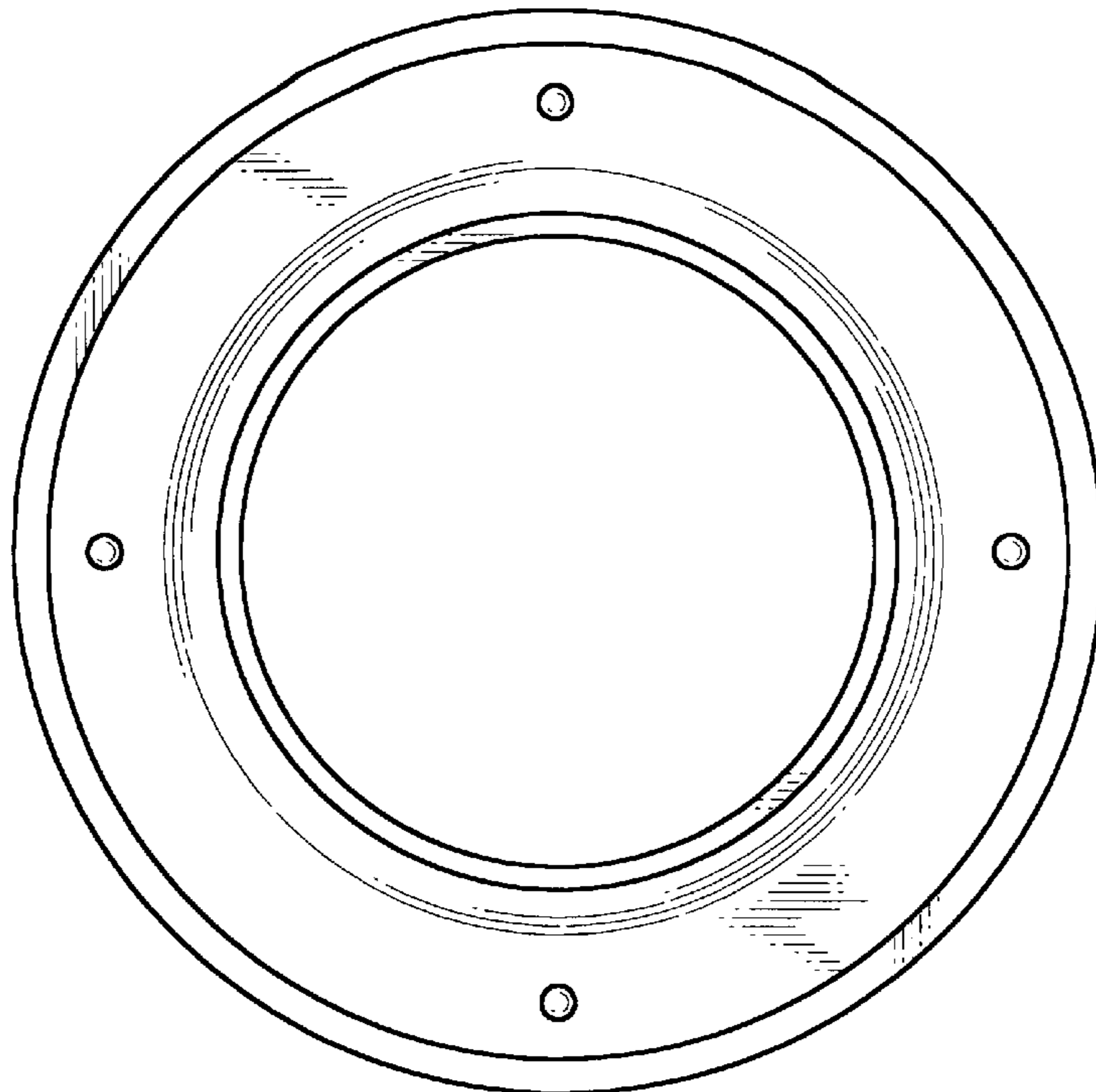


FIG. 3

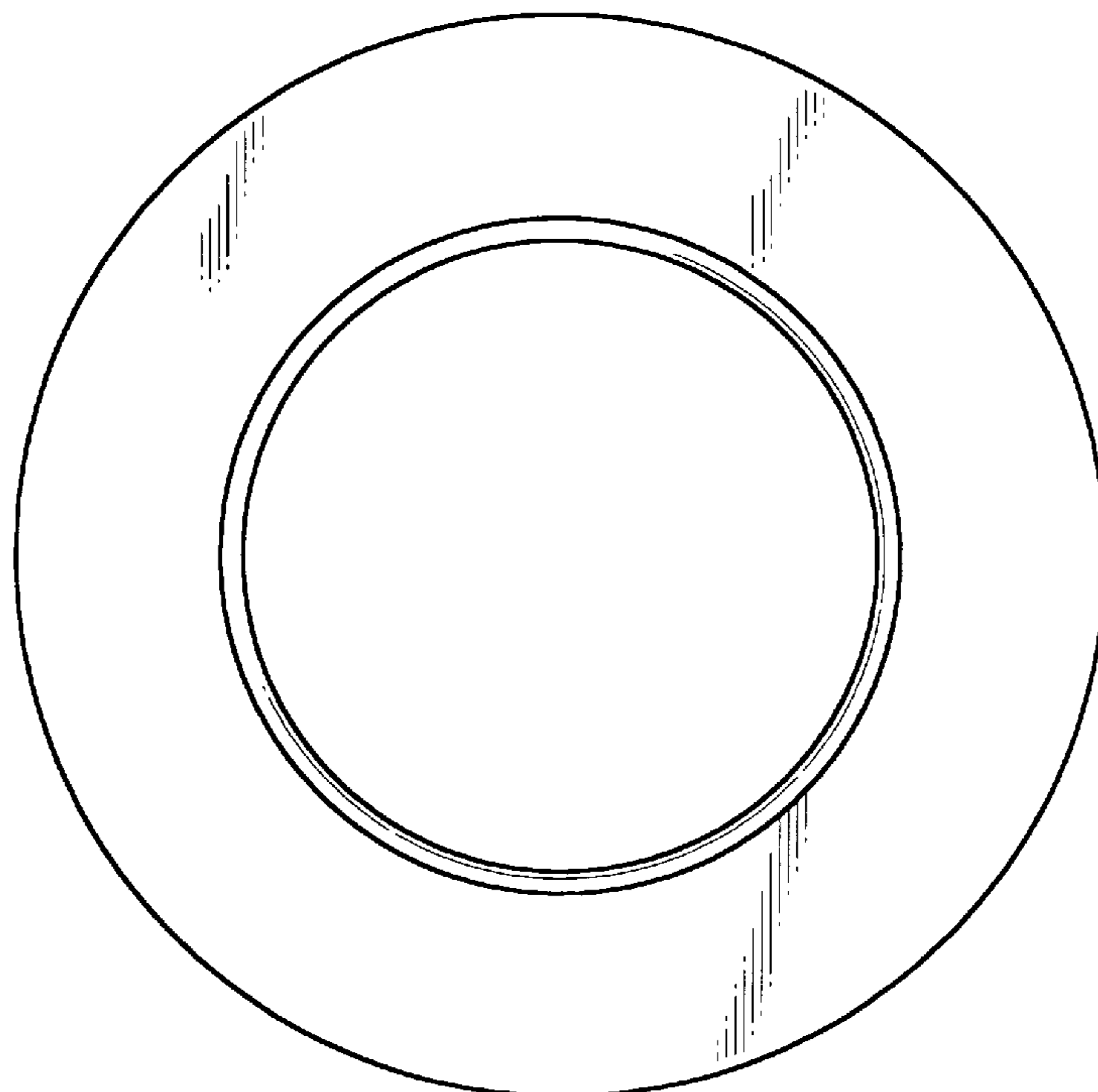


FIG. 4