



US00D417746S

United States Patent [19] Pahl

[11] Patent Number: **Des. 417,746**

[45] Date of Patent: **** Dec. 14, 1999**

[54] **RECESSED LIGHTING FIXTURE TRIM**

D. 346,239 4/1994 Vamberszky et al. D26/118
D. 381,111 7/1997 Lecluze D26/118

[75] Inventor: **Scott Pahl**, San Leandro, Calif.

Primary Examiner—Susan J. Lucas
Attorney, Agent, or Firm—Theodore J. Bielen, Jr.

[73] Assignee: **Prescolite-Moldcast Lighting Company**, San Leandro, Calif.

[**] Term: **14 Years**

[57] **CLAIM**

The ornamental design for an recessed lighting fixture trim, as shown and described.

[21] Appl. No.: **29/094,976**

DESCRIPTION

[22] Filed: **Oct. 14, 1998**

[51] **LOC (6) Cl.** **26-99**

FIG. 1 is a bottom side perspective view showing my new design.

[52] **U.S. Cl.** **D26/118**

FIG. 2 is a front elevational view, the left side, right side, and rear side views being identical thereto.

[58] **Field of Search** D26/74, 86, 118,
D26/119, 88, 89, 90; 362/345, 354, 364,
365, 366, 404, 147, 240

FIG. 3 is a bottom plan view; and,
FIG. 4 is a top plan view, thereof.

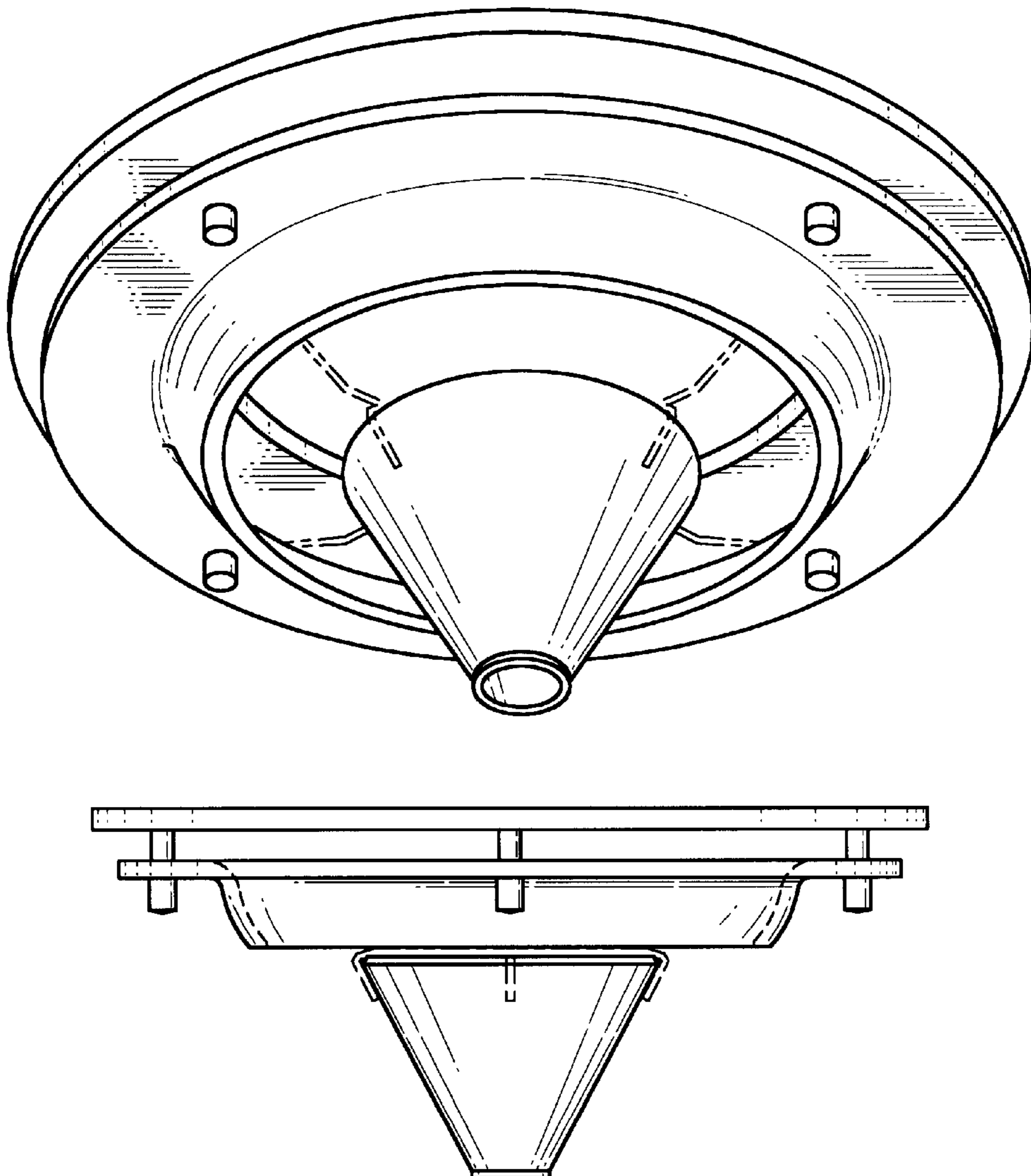
The broken lines are shown for illustrative purposes only and form no part of the claimed design.

[56] **References Cited**

U.S. PATENT DOCUMENTS

D. 150,357 7/1948 Herbster D26/86

1 Claim, 2 Drawing Sheets



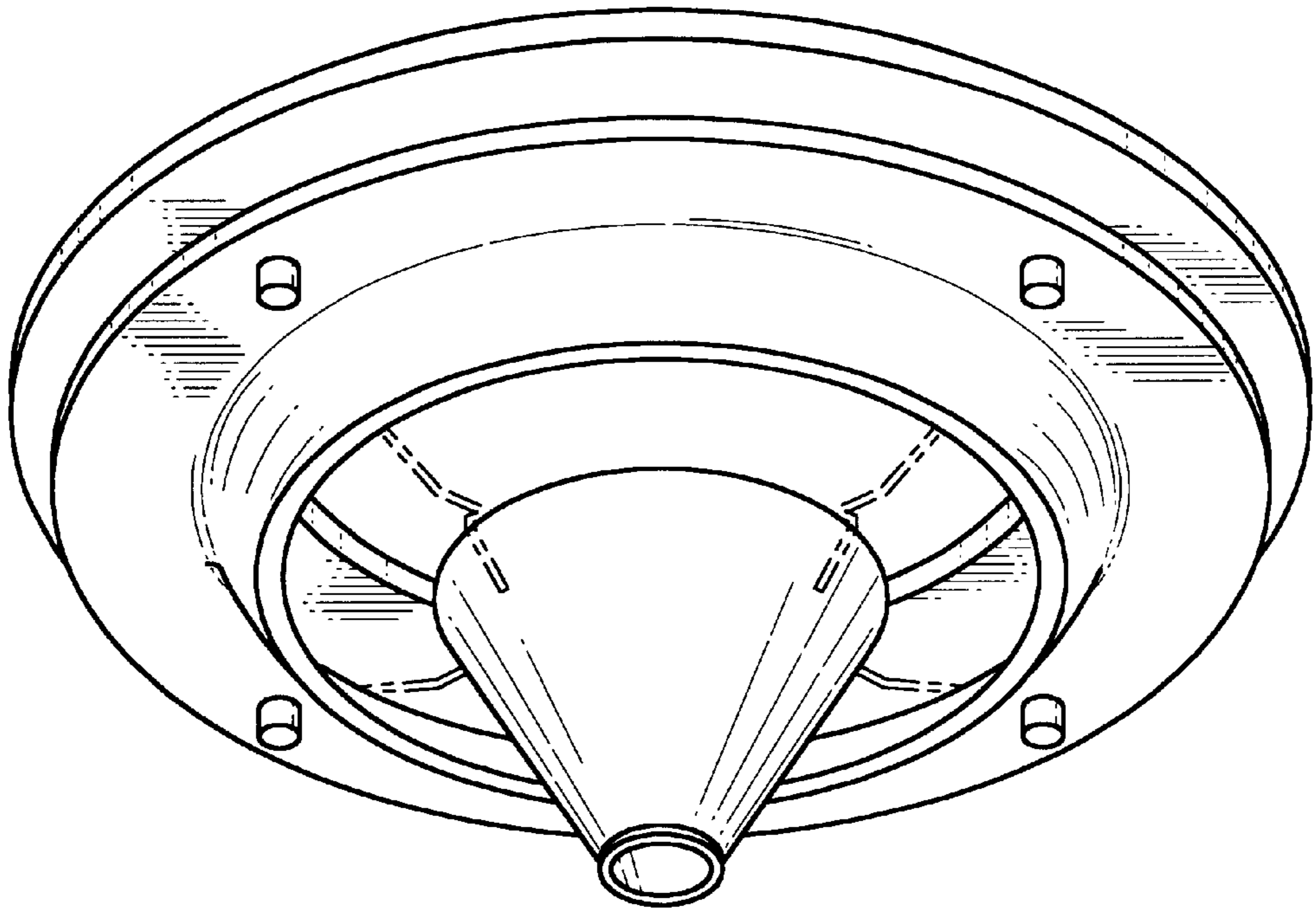


FIG. 1

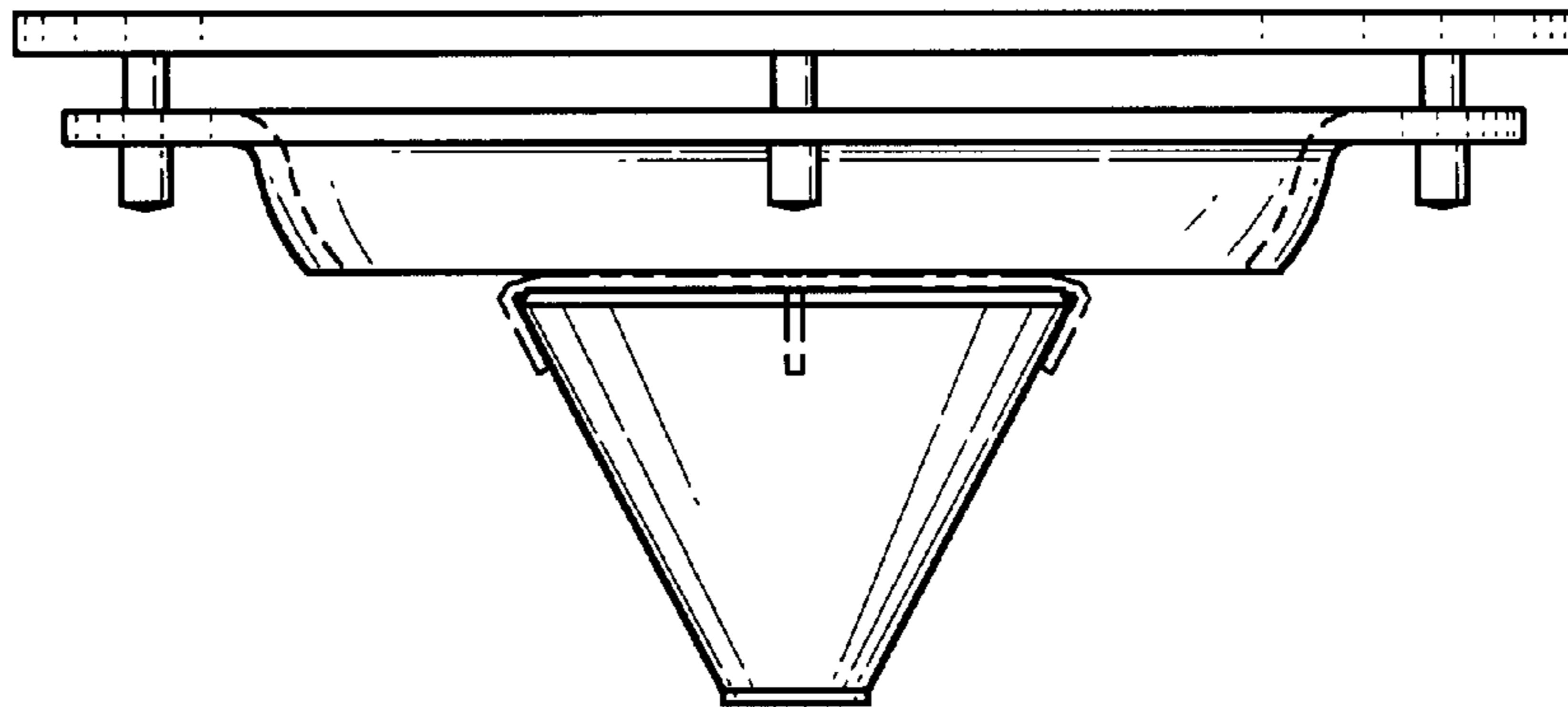


FIG. 2

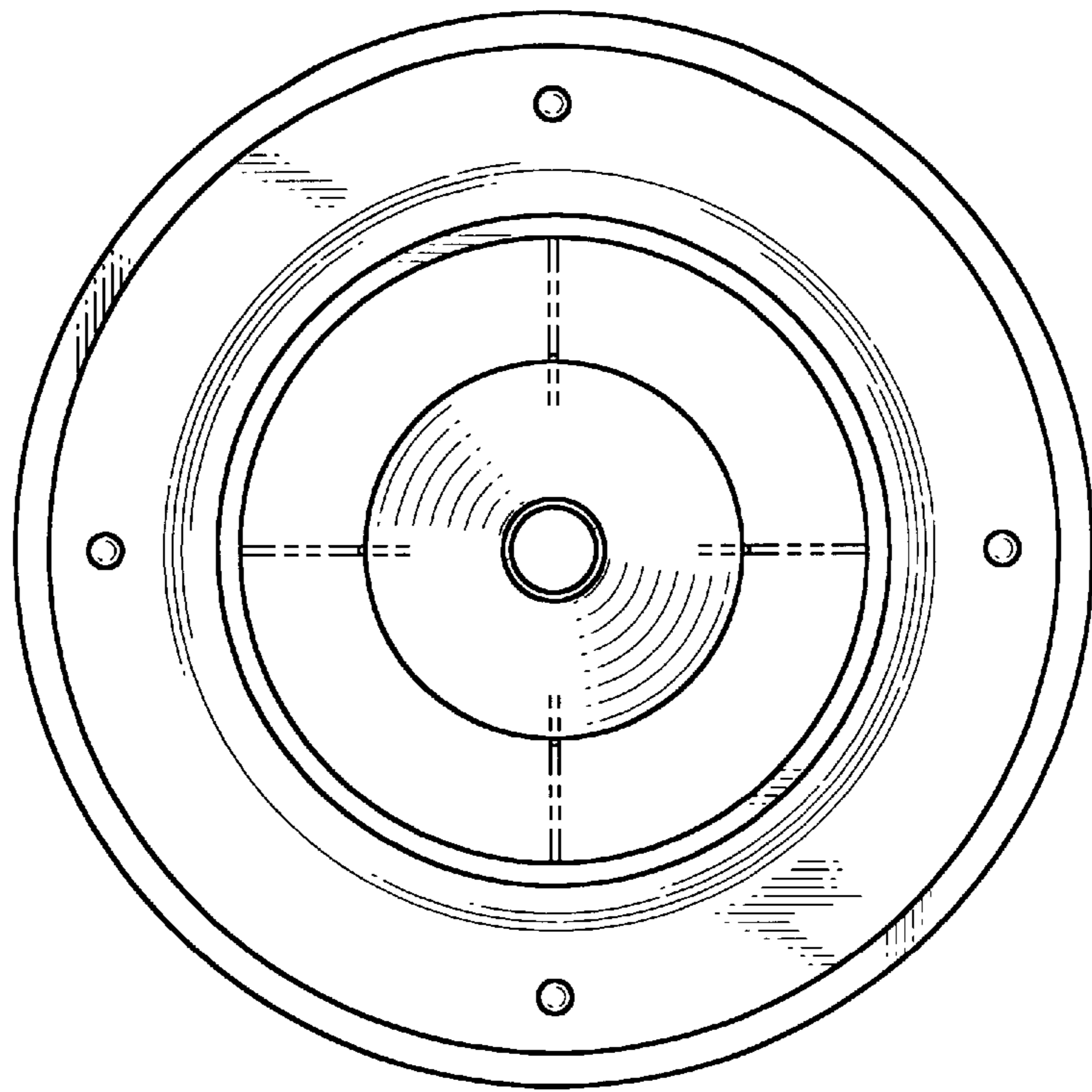


FIG. 3

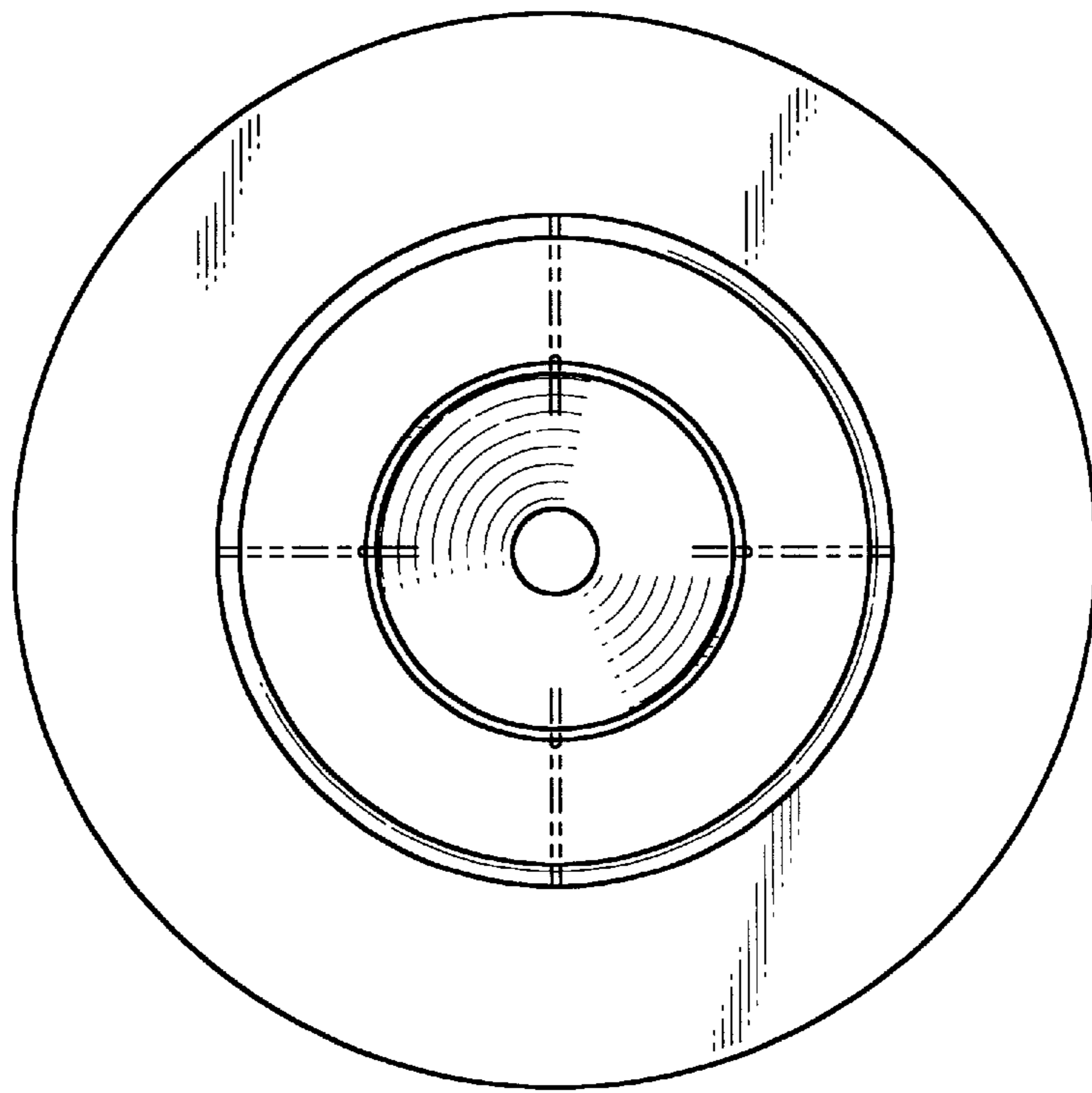


FIG. 4