



US00D417740S

United States Patent [19]

Iacovelli et al.

[11] Patent Number: Des. 417,740

[45] Date of Patent: ** Dec. 14, 1999

[54] LIGHT

[75] Inventors: Marc Iacovelli; Saied Hussaini, both of Miami, Fla.

[73] Assignee: Rally Manufacturing, Inc., Miami, Fla.

[**] Term: 14 Years

[21] Appl. No.: 29/099,891

[22] Filed: Jan. 29, 1999

[51] LOC (6) Cl. 26-04

[52] U.S. Cl. D26/28

[58] Field of Search D26/28-36; 362/80, 362/81, 82, 83, 309, 326, 329-340, 418, 419, 429

[56] References Cited

U.S. PATENT DOCUMENTS

D. 364,240	11/1995	Huang	D26/28
D. 377,838	2/1997	Malhotra	D26/28
D. 384,759	10/1997	Strate	D26/28
D. 390,979	2/1998	Yamamoto	D26/28
D. 390,980	2/1998	Yamamoto	D26/28

Primary Examiner—Marcus A. Jackson
Attorney, Agent, or Firm—Liniak, Berenato, Longacre & White

[57] CLAIM

The ornamental design for a light, as shown and described.

DESCRIPTION

FIG. 1 is a front view of the light according to the present invention, with the broken line showing for illustrative purposes only and forming no part of the claimed design. FIG. 2 is a rear view of the light of FIG. 1 according to the present invention.

FIG. 3 is a left side view of the light of FIG. 1 according to the present invention.

FIG. 4 is a right side view of the light of FIG. 1 according to the present invention.

FIG. 5 is a top view of the light of FIG. 1 according to the present invention.

FIG. 6 is a bottom view of the light of FIG. 1 according to the present invention.

FIG. 7 is a front elevational perspective view of the light of FIG. 1 according to the present invention.

1 Claim, 4 Drawing Sheets

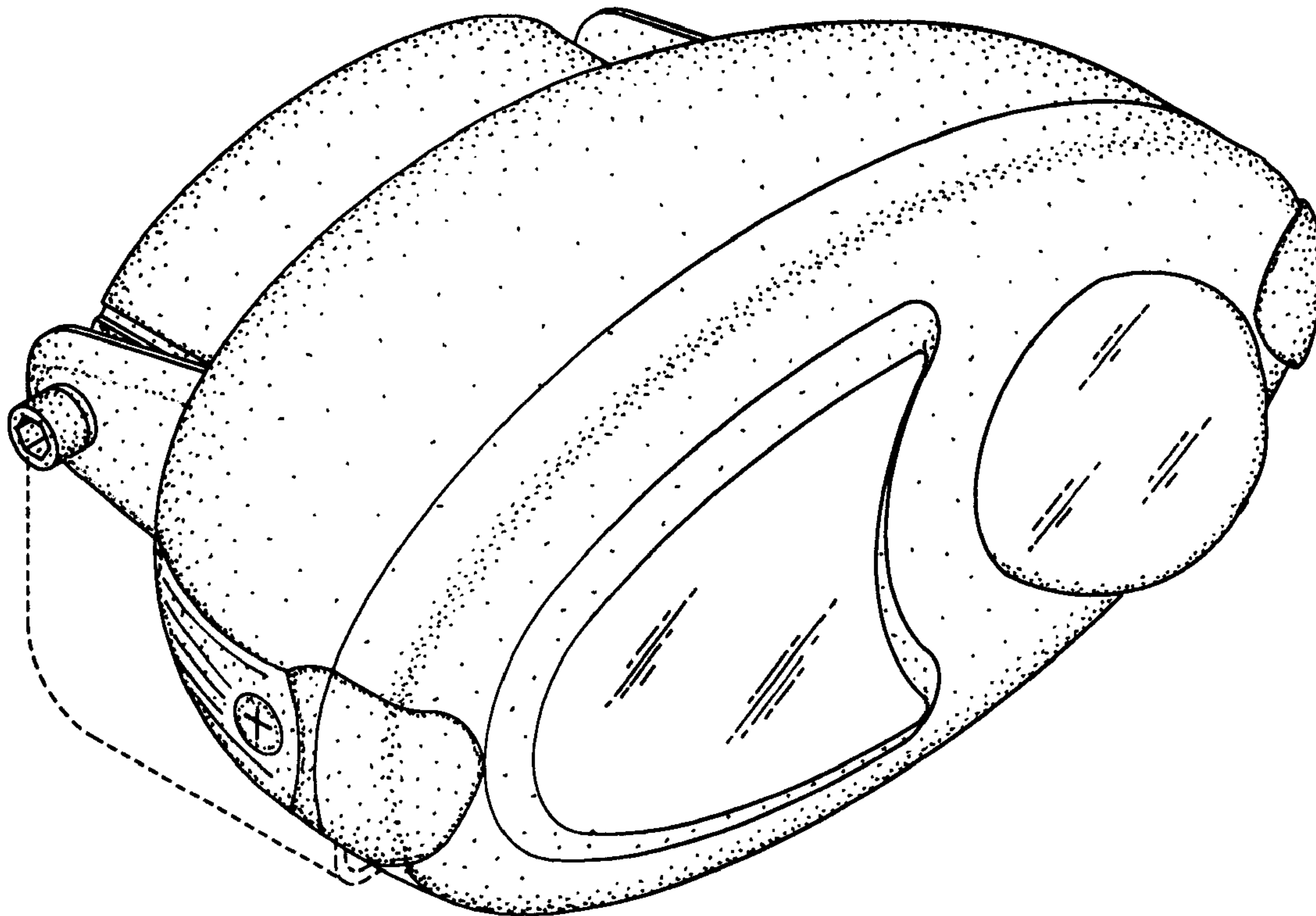


Fig. 1

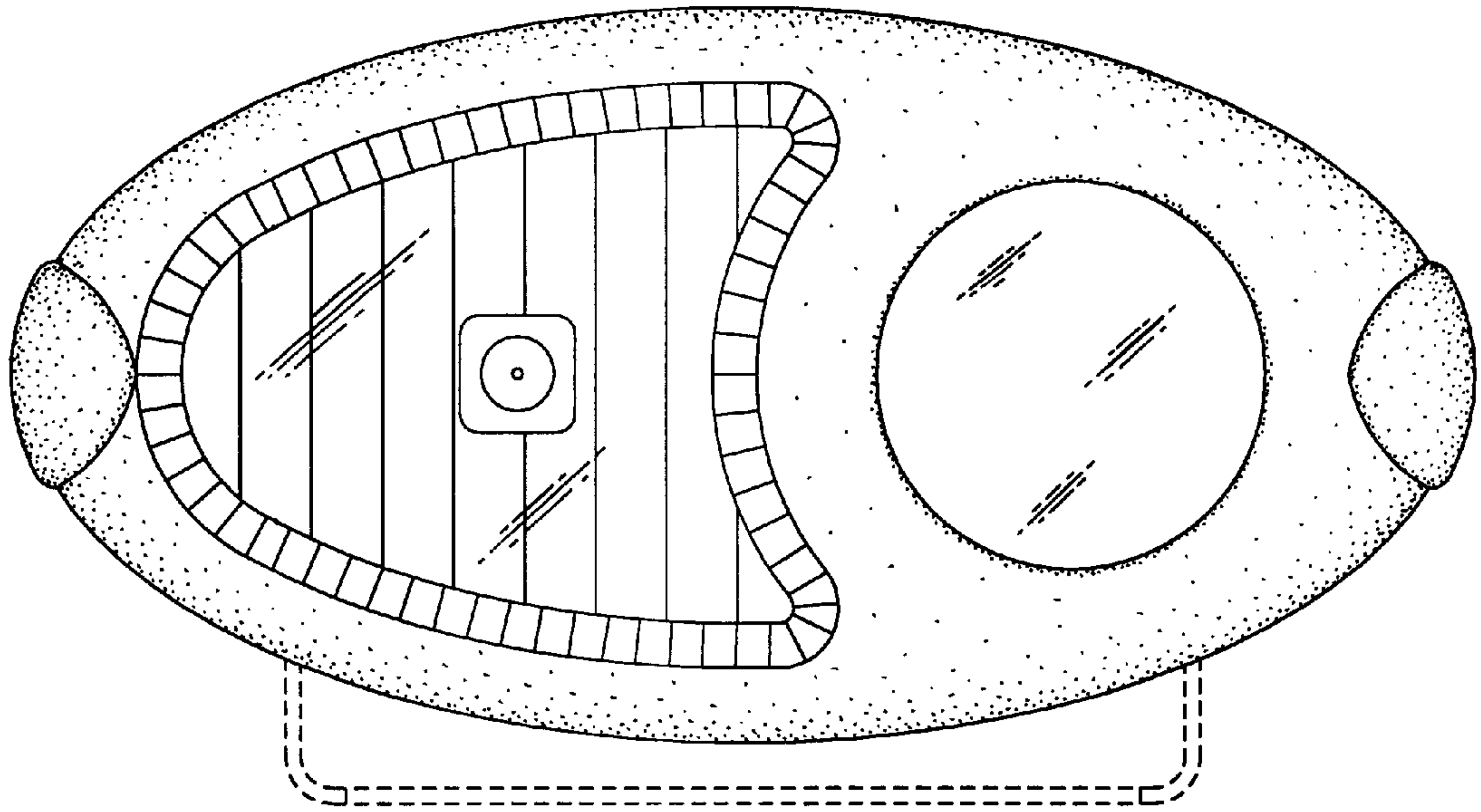


Fig. 2

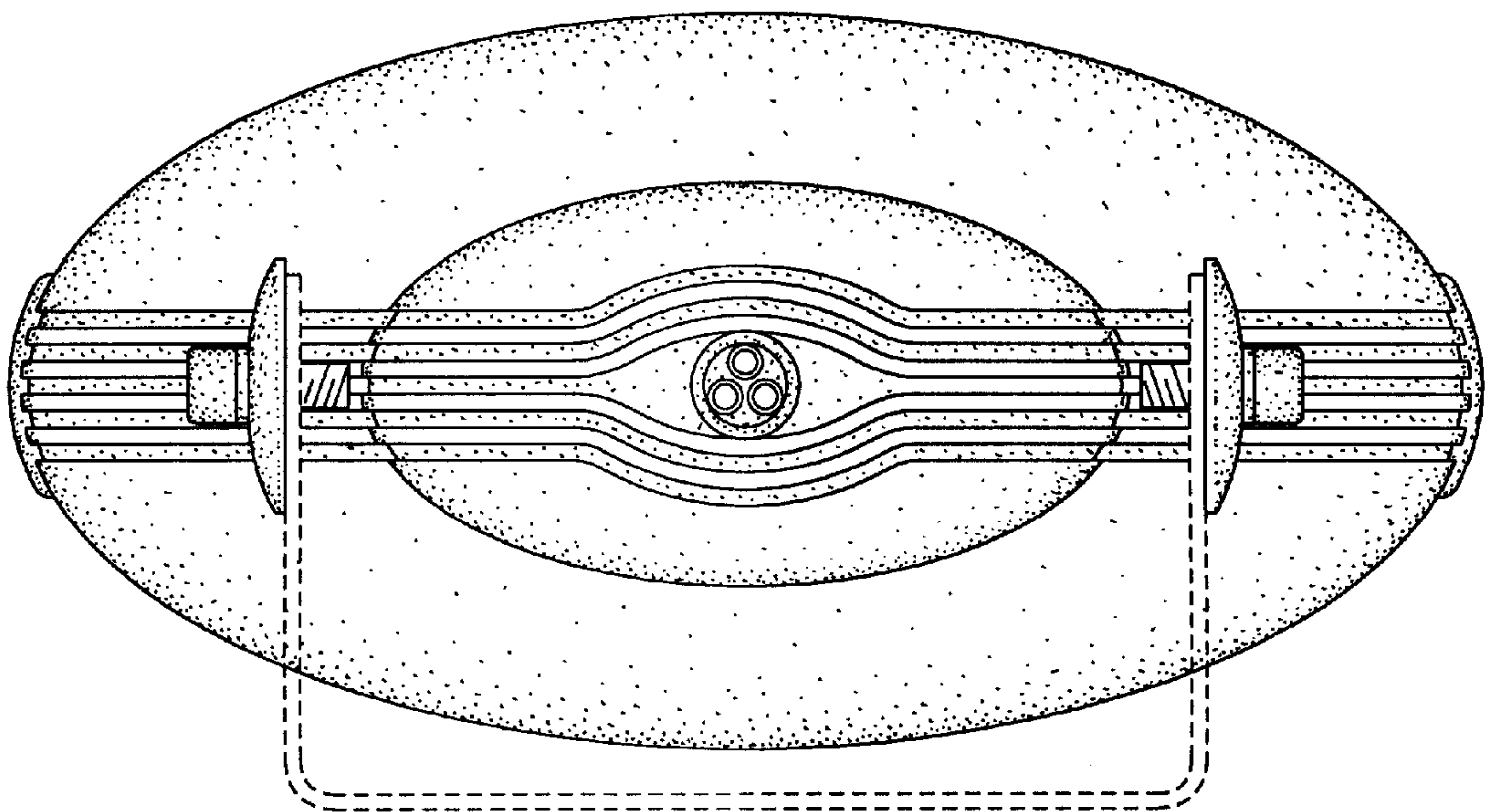


Fig. 3

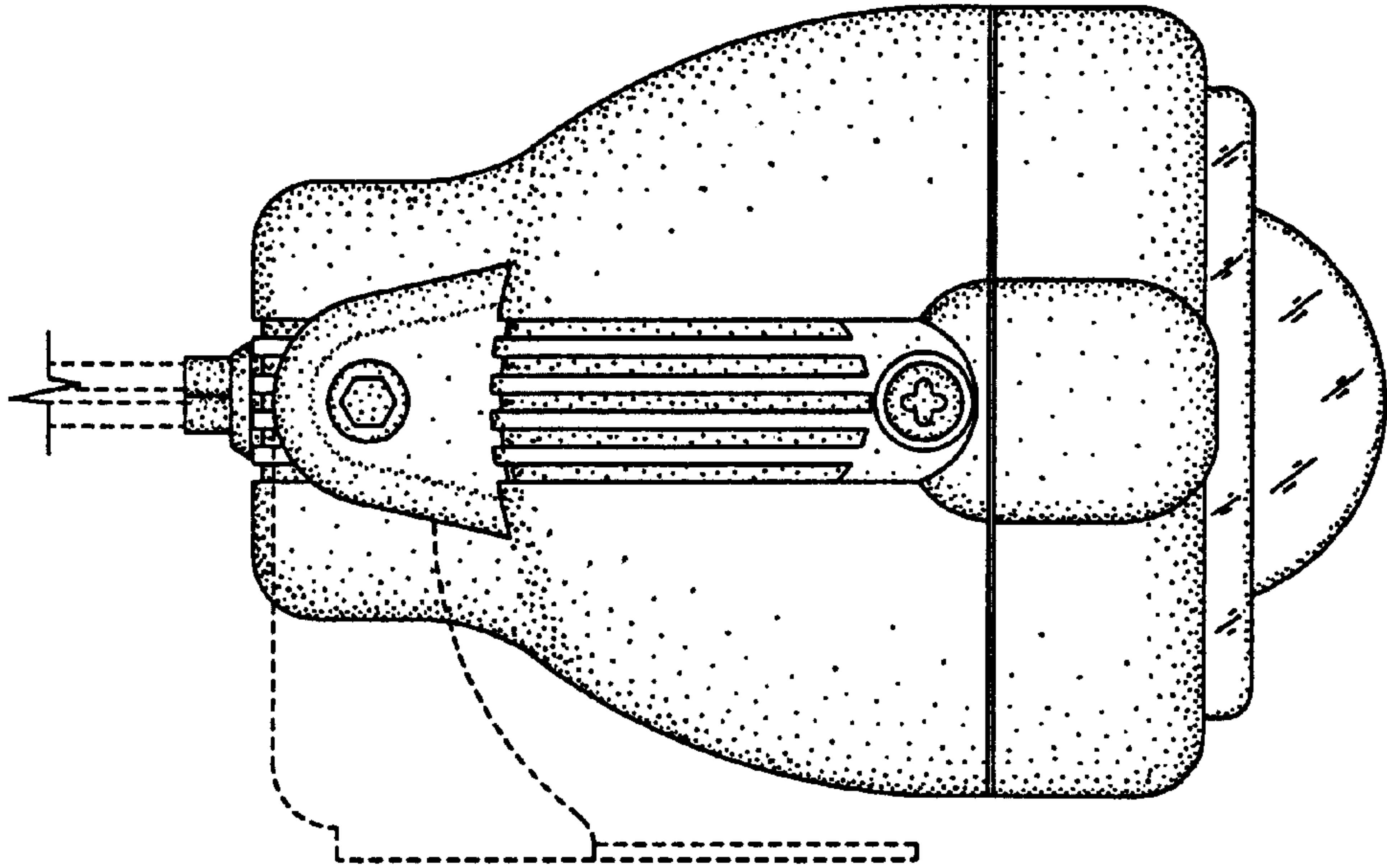


Fig. 4

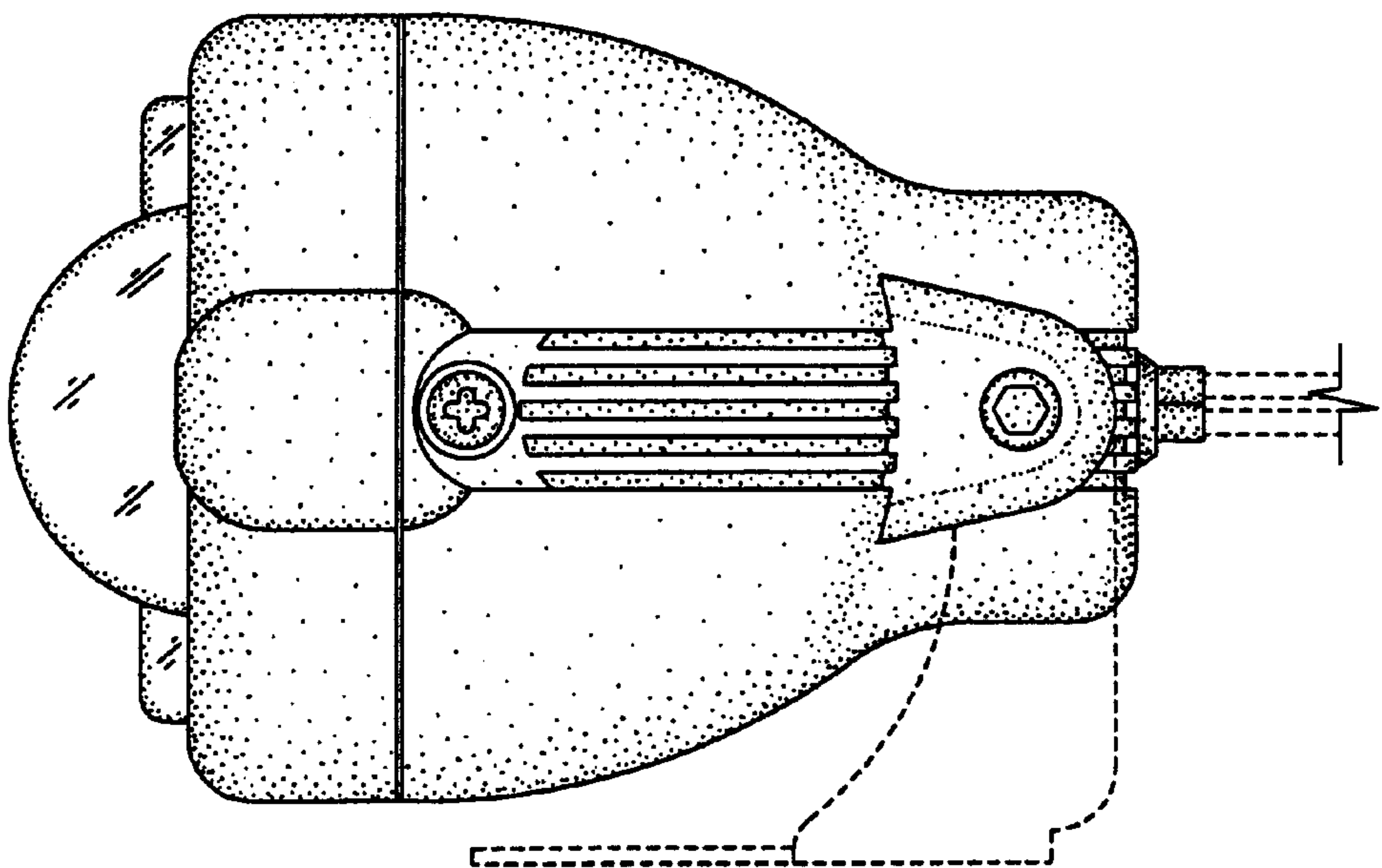


Fig. 5

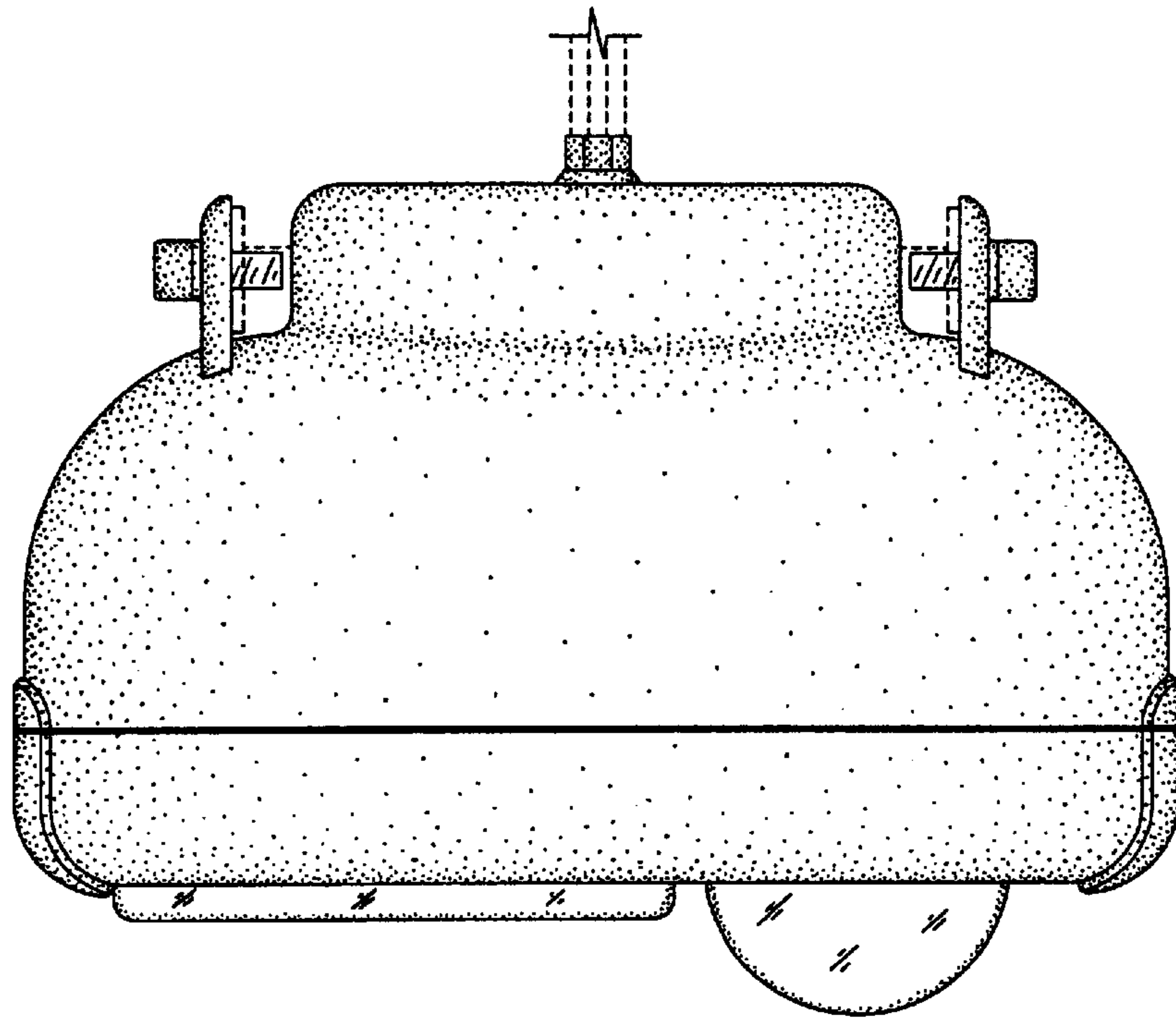


Fig. 6

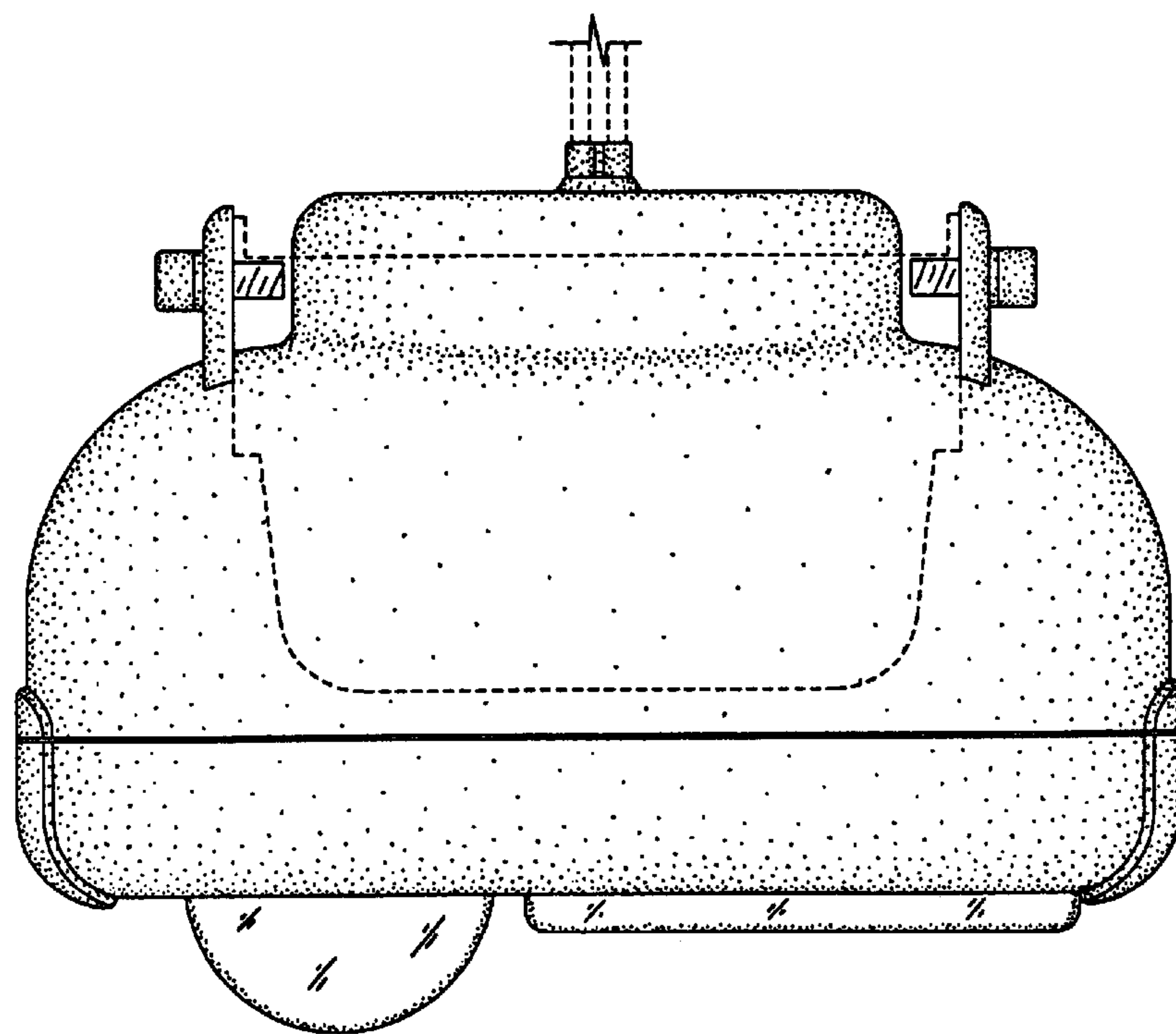


Fig. 7

