



US00D417738S

United States Patent [19] Tyra

[11] **Patent Number: Des. 417,738**

[45] **Date of Patent: ** Dec. 14, 1999**

[54] **WINDOW COMPONENT EXTRUSION**

D. 392,751 3/1998 Oliver D25/124

[75] Inventor: **Kevin Tyra**, Puyallup, Wash.

Primary Examiner—Doris Clark

[73] Assignee: **Mikron Industries, Inc.**, Kent, Wash.

Attorney, Agent, or Firm—Richardson & Folise

[**] Term: **14 Years**

[57] **CLAIM**

[21] Appl. No.: **29/104,974**

The ornamental design for a window component extrusion, as shown and described.

[22] Filed: **May 13, 1999**

DESCRIPTION

[51] **LOC (6) Cl.** **25-01**

[52] **U.S. Cl.** **D25/124**

[58] **Field of Search** D25/60, 52, 119-125;
52/205.1, 204.5, 204.56, 204.51, 730.3;
49/501, 504, DIG. 2, 407-408

FIG. 1 is a top right perspective view of the window component extrusion which is broken in the center indicating indefinite length; and,

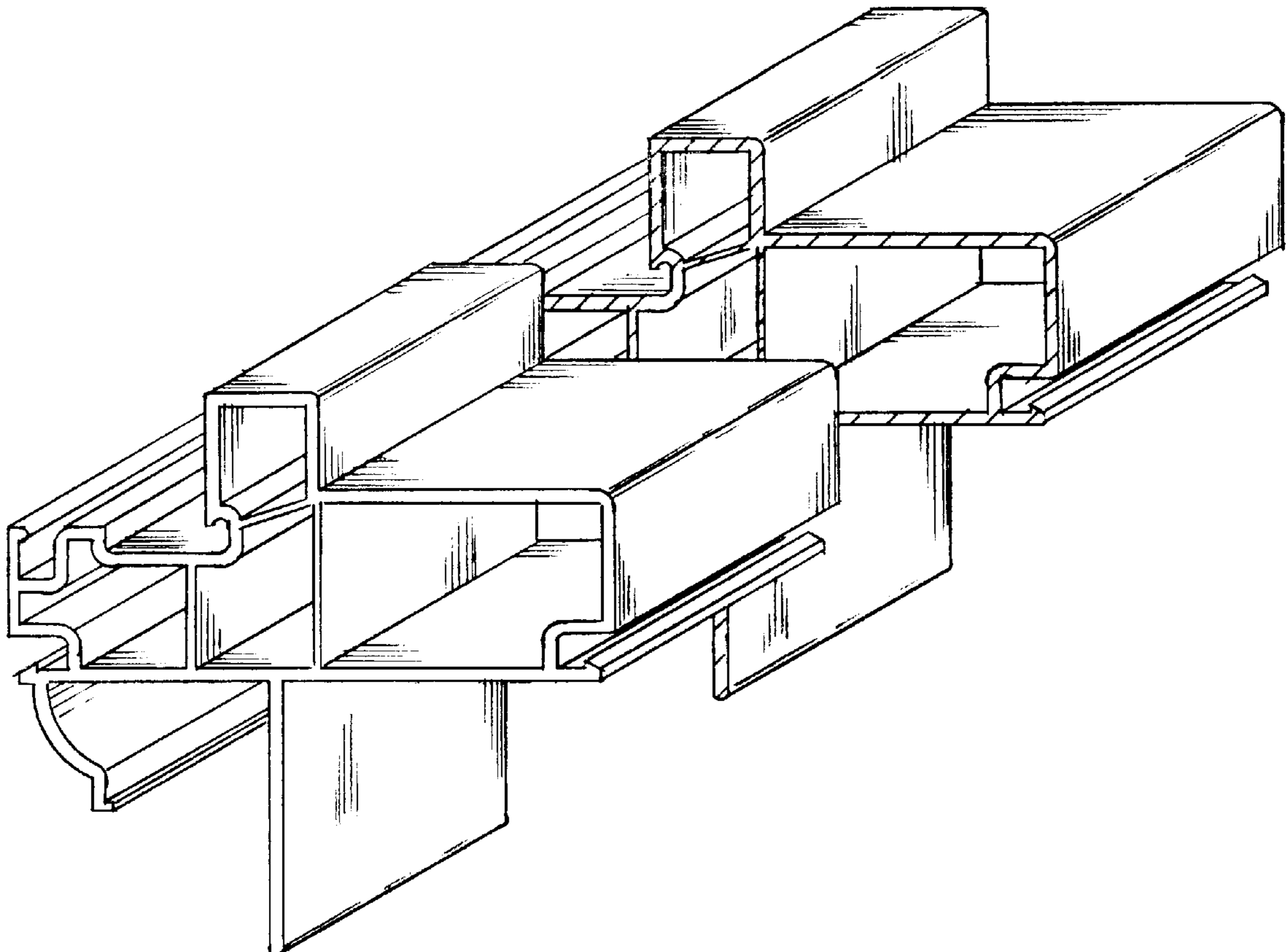
FIG. 2 is a bottom left perspective view of the window component extrusion shown in FIG. 1.

[56] **References Cited**

U.S. PATENT DOCUMENTS

D. 381,089 7/1997 Oliver .

1 Claim, 1 Drawing Sheet



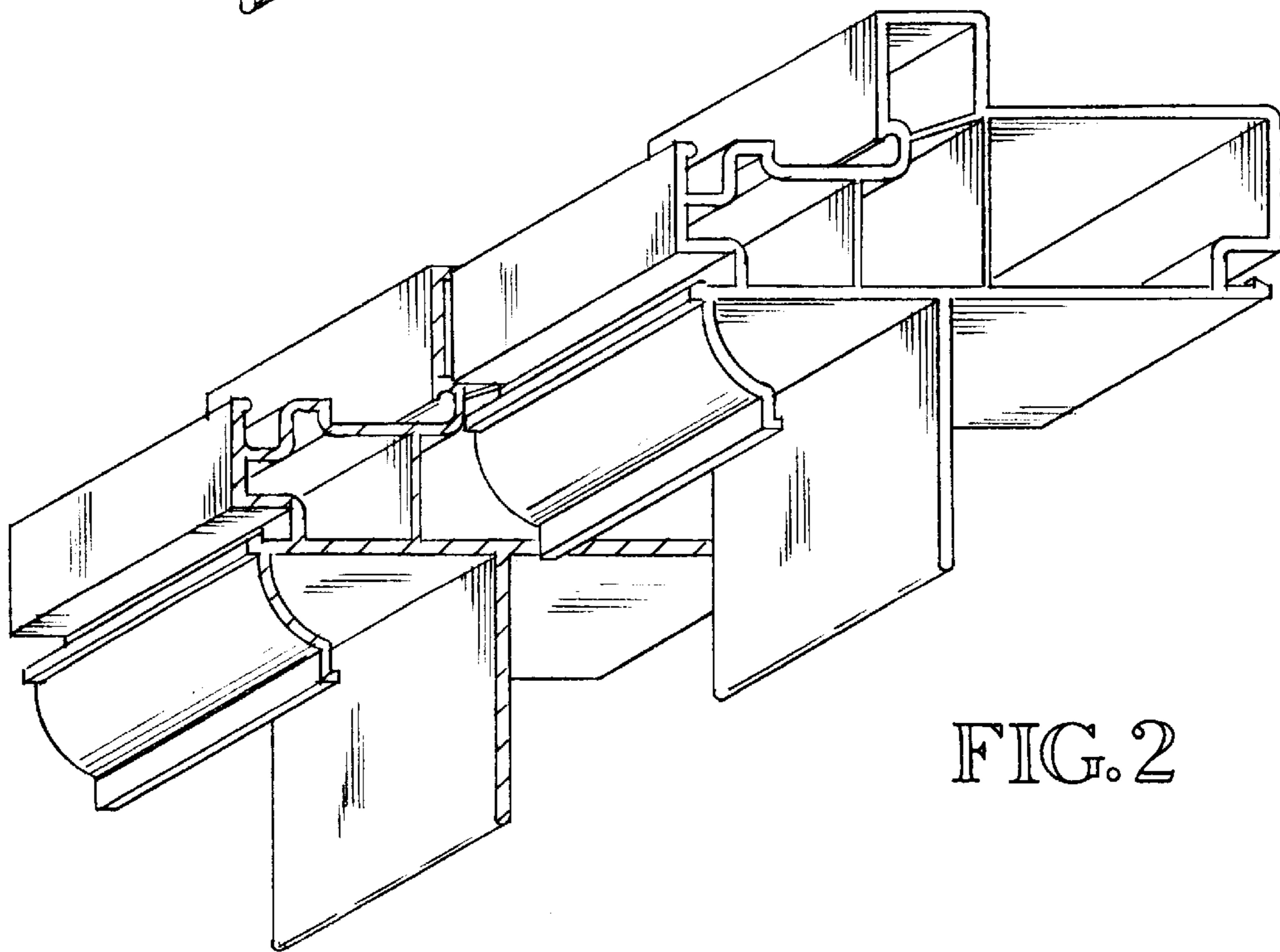
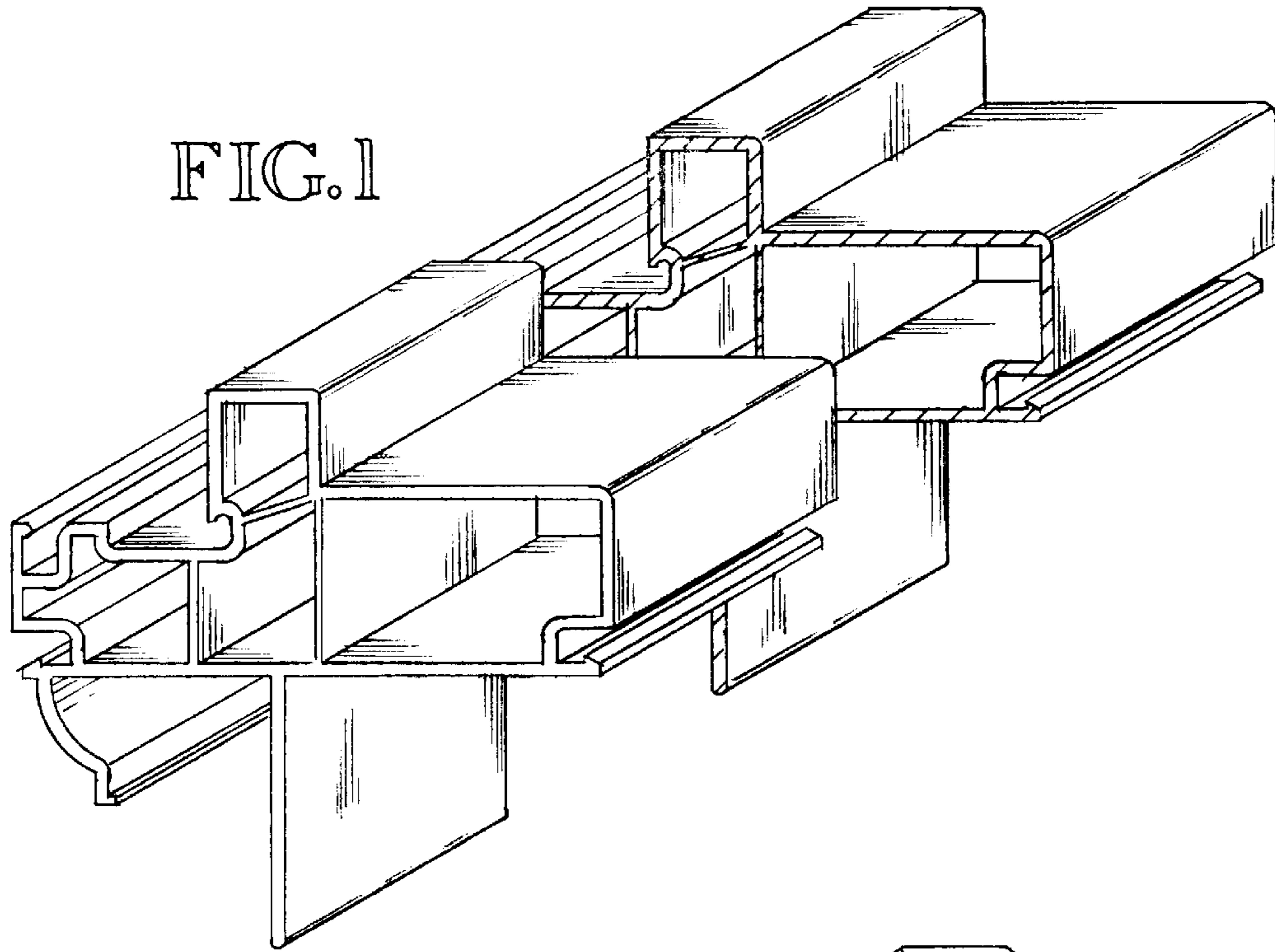


FIG. 2