



US00D417737S

United States Patent [19] Stansfield

[11] **Patent Number: Des. 417,737**

[45] **Date of Patent: ** Dec. 14, 1999**

[54] **EXTRUDED POST**

4,619,098 10/1986 Taylor 52/481.1

[76] Inventor: **Anthony Stansfield**, 105 Commodore Drive, Paradise Waters, Queensland, 4217, Australia

Primary Examiner—Doris Clark
Attorney, Agent, or Firm—Burns, Doane, Swecker & Mathis, L.L.P.

[**] Term: **14 Years**

[57] **CLAIM**

[21] Appl. No.: **29/097,085**

The ornamental design for an extruded post, as shown and described.

[22] Filed: **Nov. 30, 1998**

[51] **LOC (6) Cl.** **25-01**

[52] **U.S. Cl.** **D25/121; D25/126**

[58] **Field of Search** D25/126, 121;
52/716.8, 782.1, 791.1, 243, 461, 459,
463, 481.1

DESCRIPTION

FIG. 1 is a partial perspective view showing my new design; FIG. 2 is a top view thereof; and, FIG. 3 is a bottom view thereof.

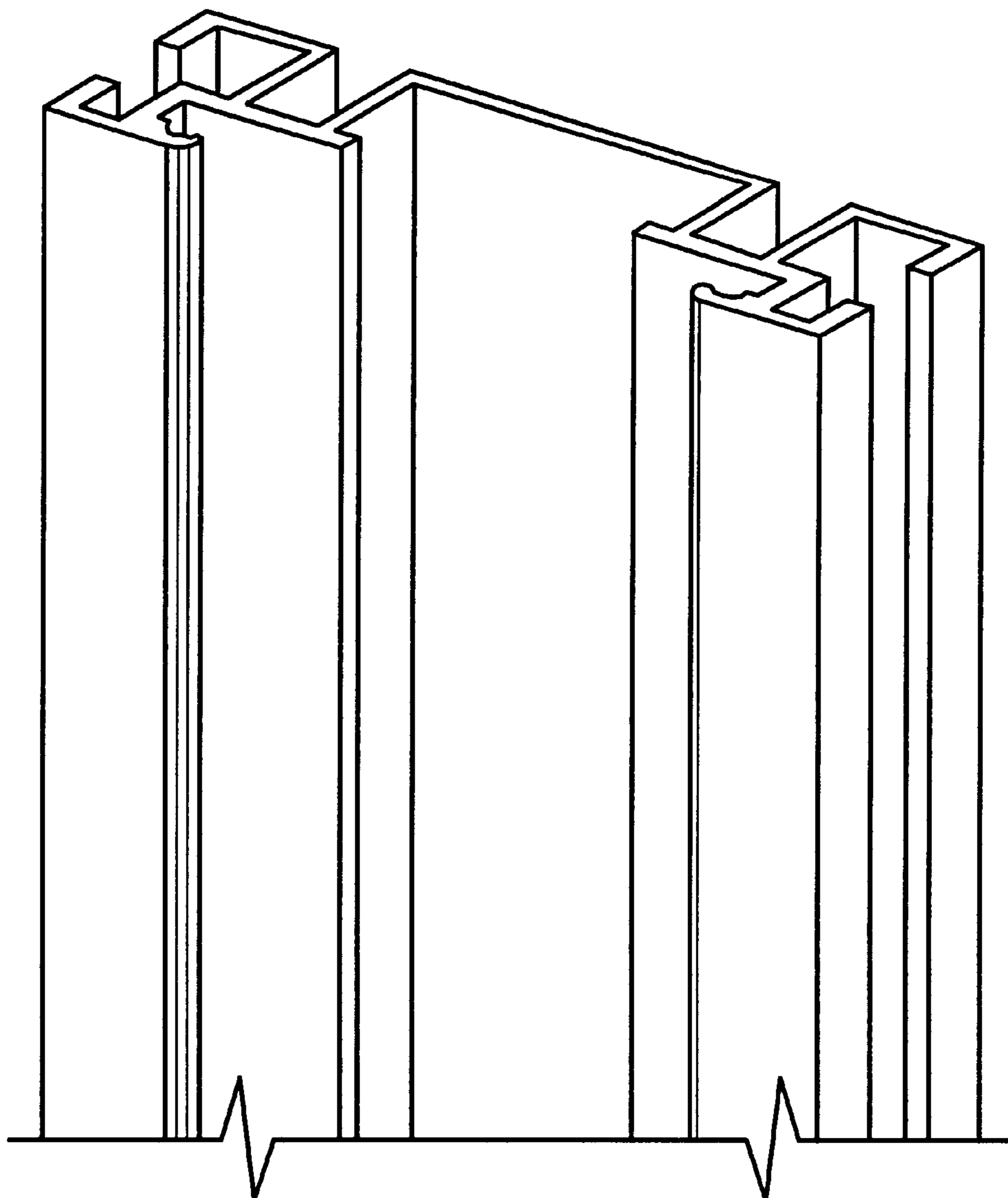
The extruded post is broken on the end to indicate indefinite length.

[56] **References Cited**

U.S. PATENT DOCUMENTS

D. 344,596 2/1994 McArthur D25/121

1 Claim, 2 Drawing Sheets



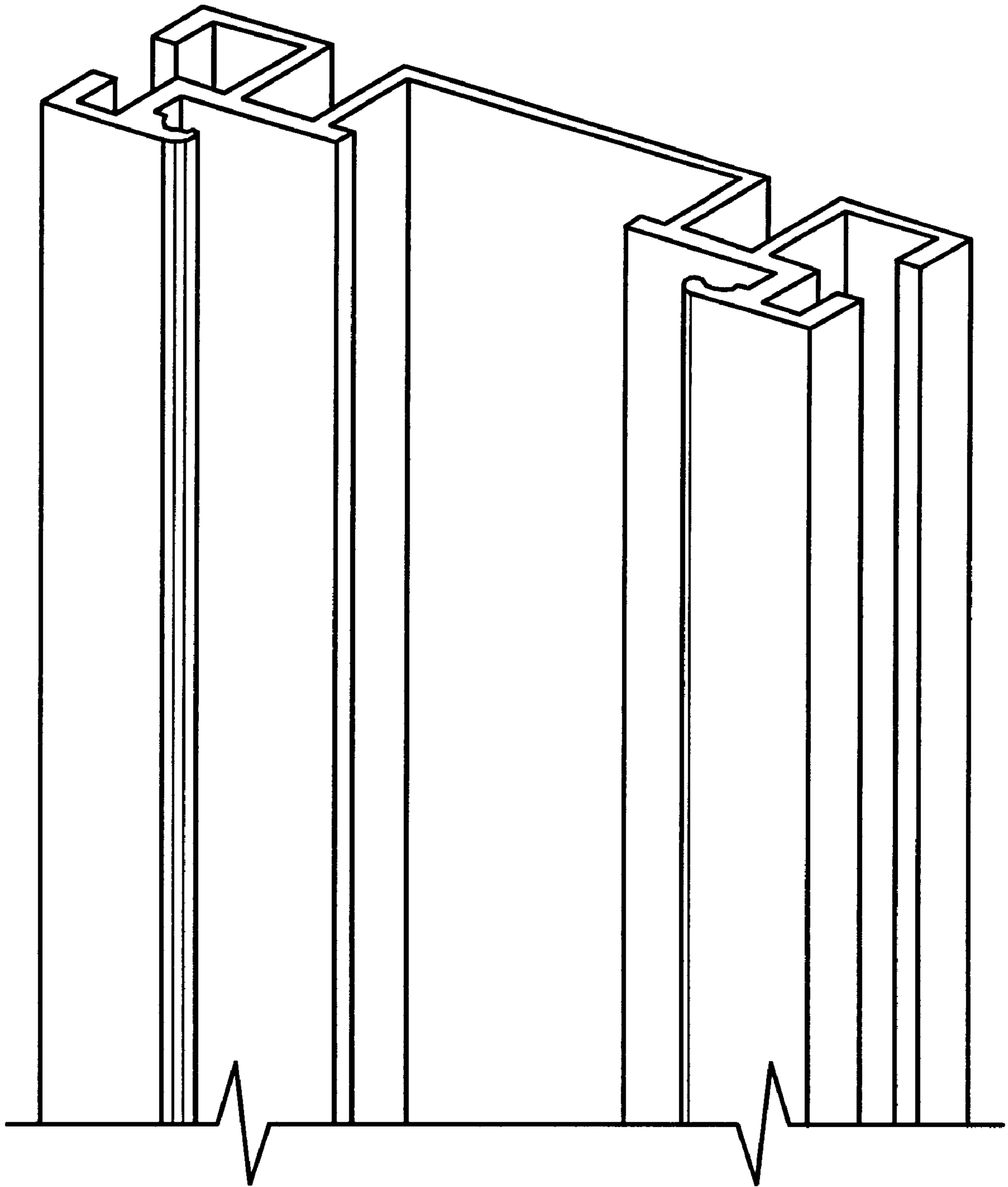


FIG. 1



FIG. 2

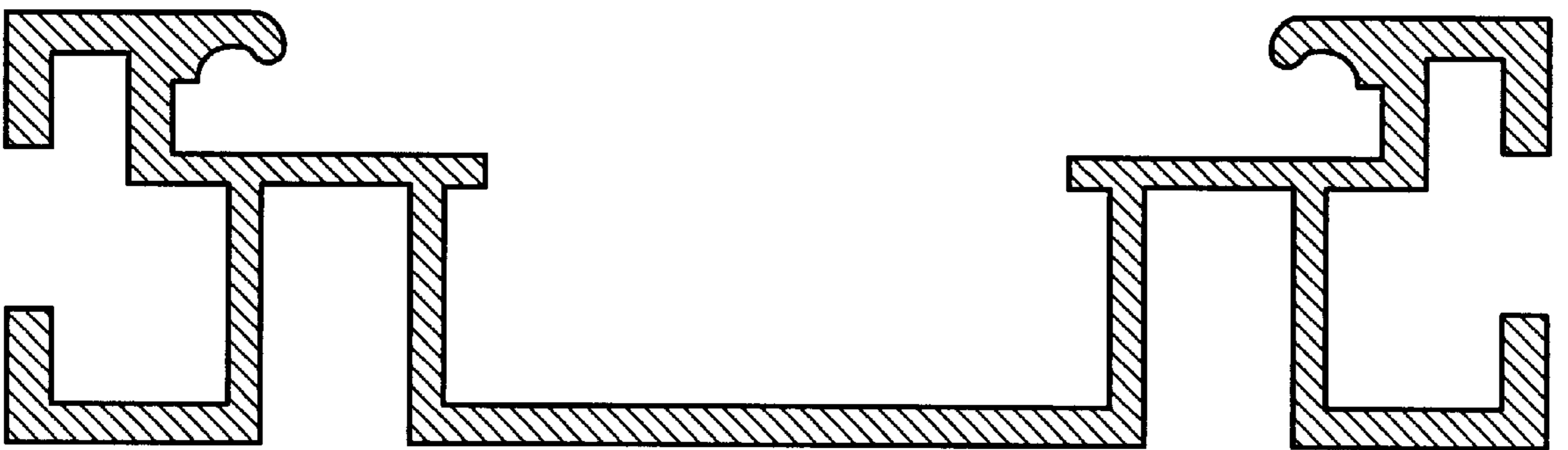


FIG. 3