



US00D417736S

United States Patent [19]
Cavaness

[11] **Patent Number: Des. 417,736**

[45] **Date of Patent: ** Dec. 14, 1999**

[54] **PRE-FORMED STAIR COMPONENT**

[76] Inventor: **Joseph Cavaness**, P.O. Box 961540,
658 Hutcheson Pkwy., Riverdale, Ga.
30296-1540

[**] Term: **14 Years**

[21] Appl. No.: **29/098,431**

[22] Filed: **Dec. 29, 1998**

[51] **LOC (6) Cl.** **25-04**

[52] **U.S. Cl.** **D25/68**

[58] **Field of Search** 52/191; D25/63,
D25/68, 69, 62

[56] **References Cited**

U.S. PATENT DOCUMENTS

D. 281,106	10/1985	Thomas et al.	D25/68
D. 322,134	12/1991	Eickhoff	D25/68
3,888,058	6/1975	Ahrens	52/191
5,553,421	9/1996	Stratford	52/191

Primary Examiner—Doris Clark
Attorney, Agent, or Firm—Womble Carlyle Sandridge &
Rice; Louis T. Isaf

[57] **CLAIM**

The ornamental design for an “pre-formed stair component,”
as shown and described.

DESCRIPTION

FIG. 1 is a front view of a pre-formed stair component
showing my new design;

FIG. 2 is a rear view thereof;

FIG. 3 is a right side view thereof;

FIG. 4 is a left side view thereof;

FIG. 5 is a top view thereof;

FIG. 6 is a bottom view thereof;

FIG. 7 is a perspective view thereof, wherein the elements
shown in phantom represent an environment and are not part
of the claimed invention;

FIG. 8 is a front view of a pre-formed stair component
showing my new design, and depicting an alternate embodi-
ment thereof;

FIG. 9 is a rear view of the pre-formed stair component of
FIG. 8;

FIG. 10 is a right side view thereof;

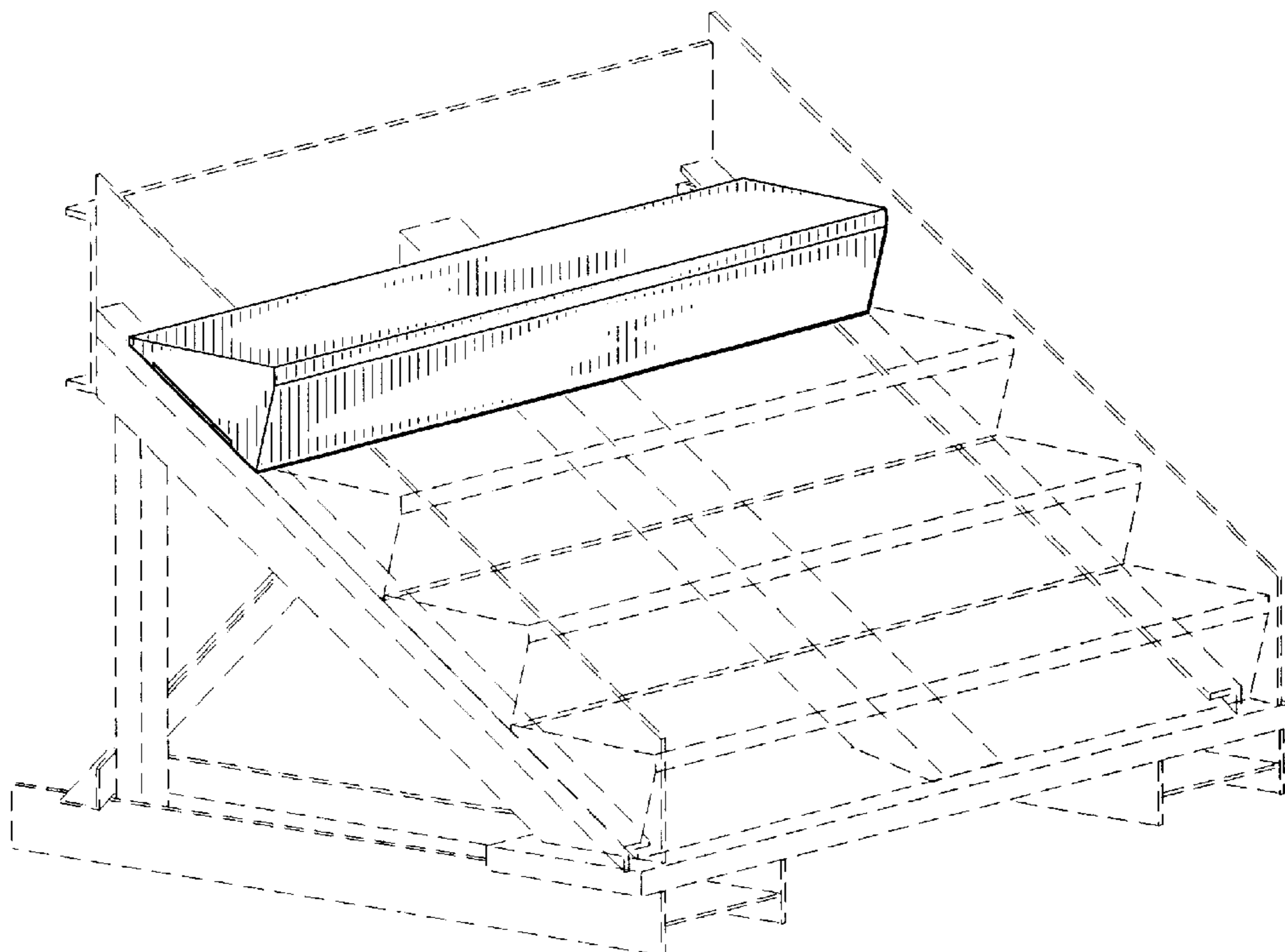
FIG. 11 is a left side view thereof;

FIG. 12 is a top view thereof;

FIG. 13 is a bottom view thereof; and,

FIG. 14 is a perspective view thereof, wherein the elements
shown in phantom represent an environment and are not part
of the claimed invention.

1 Claim, 4 Drawing Sheets



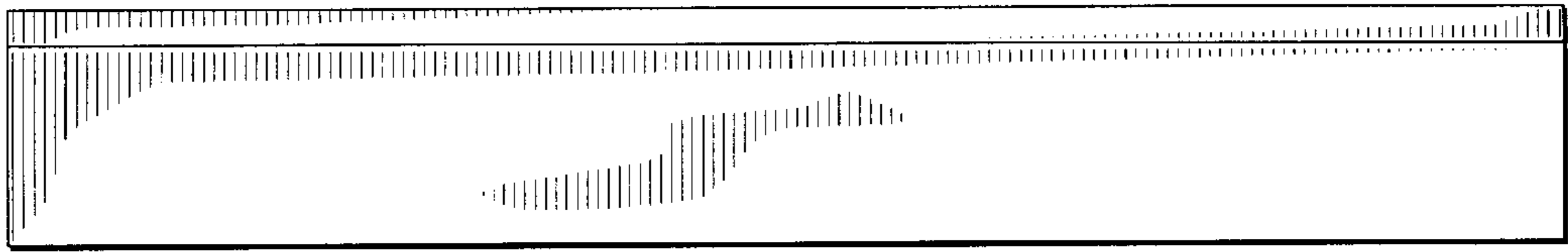


FIG. 1

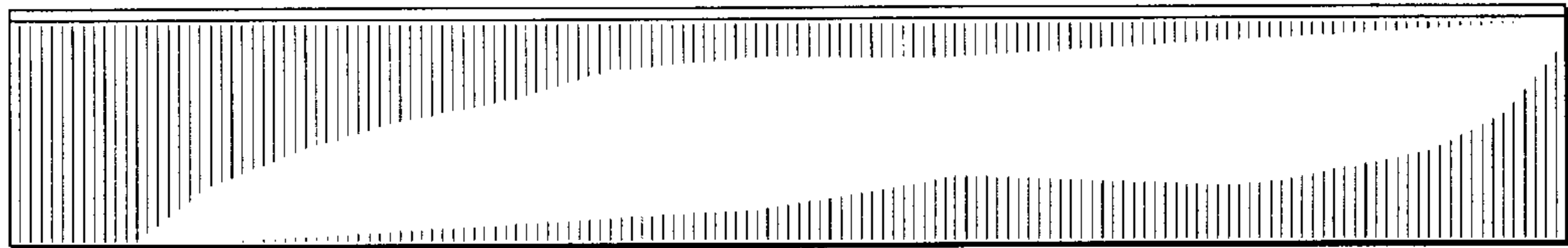


FIG. 2

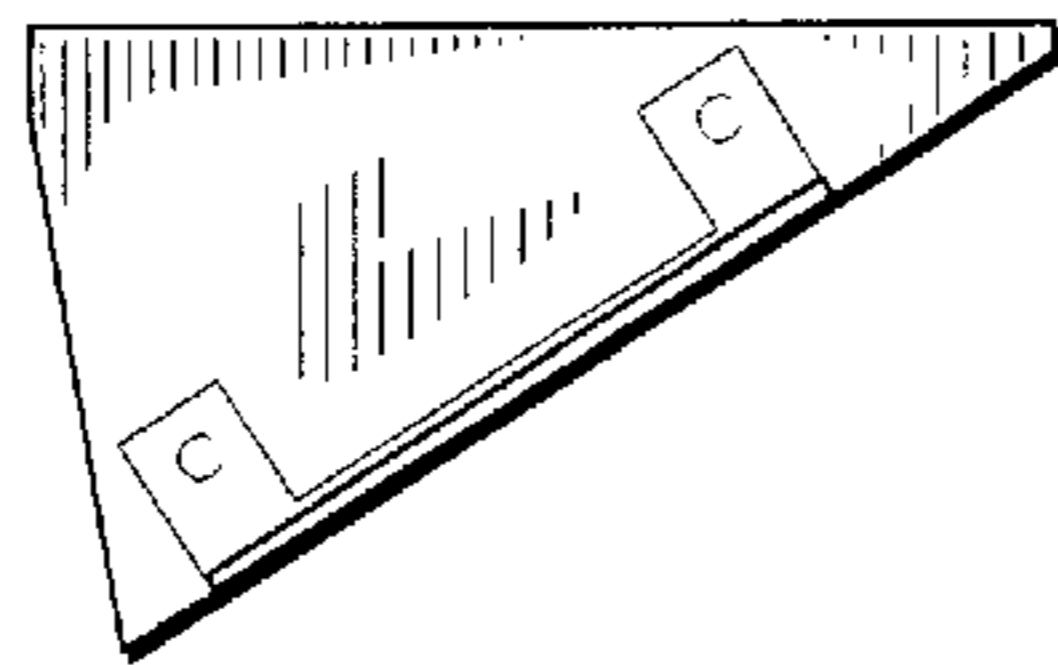


FIG. 3

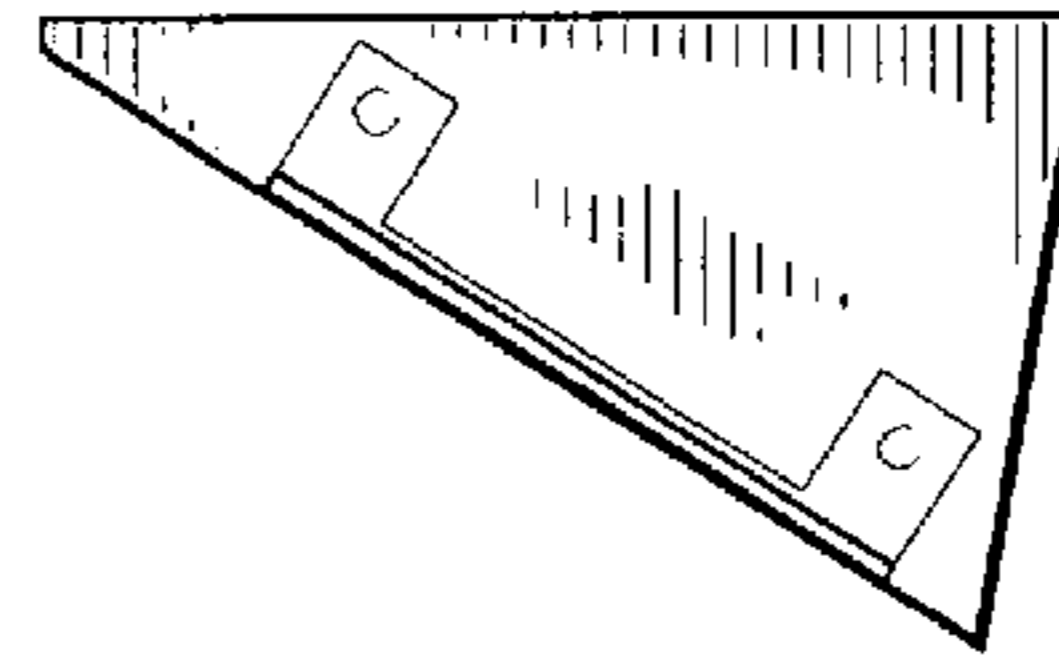


FIG. 4

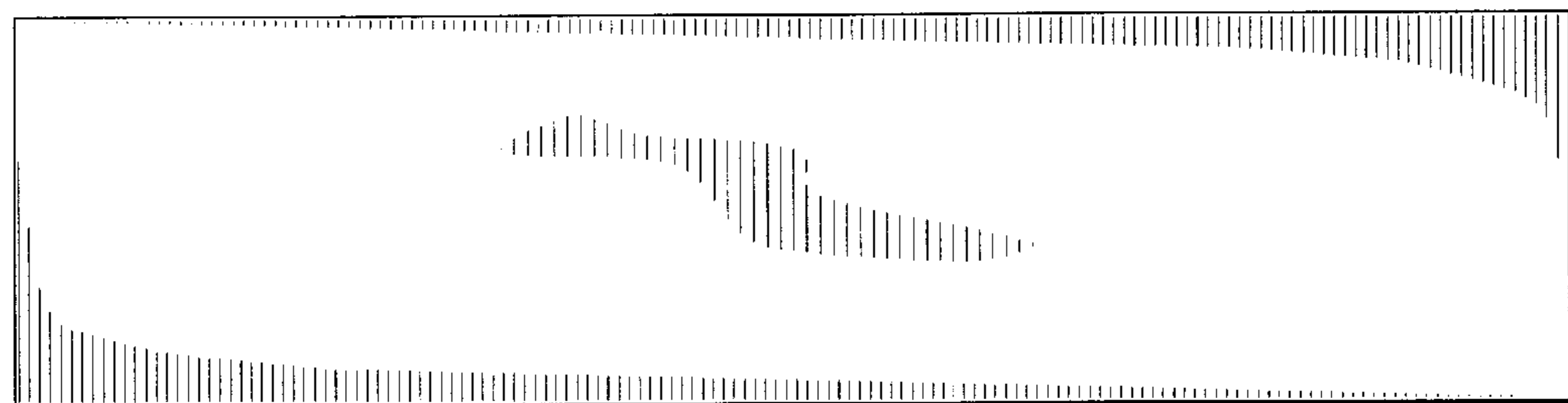


FIG. 5

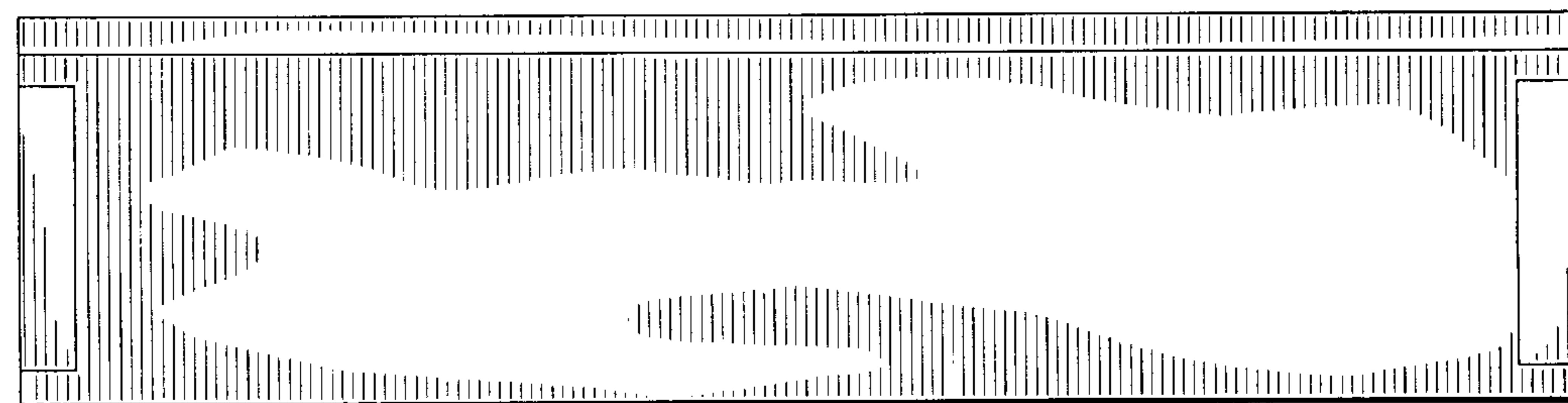


FIG. 6

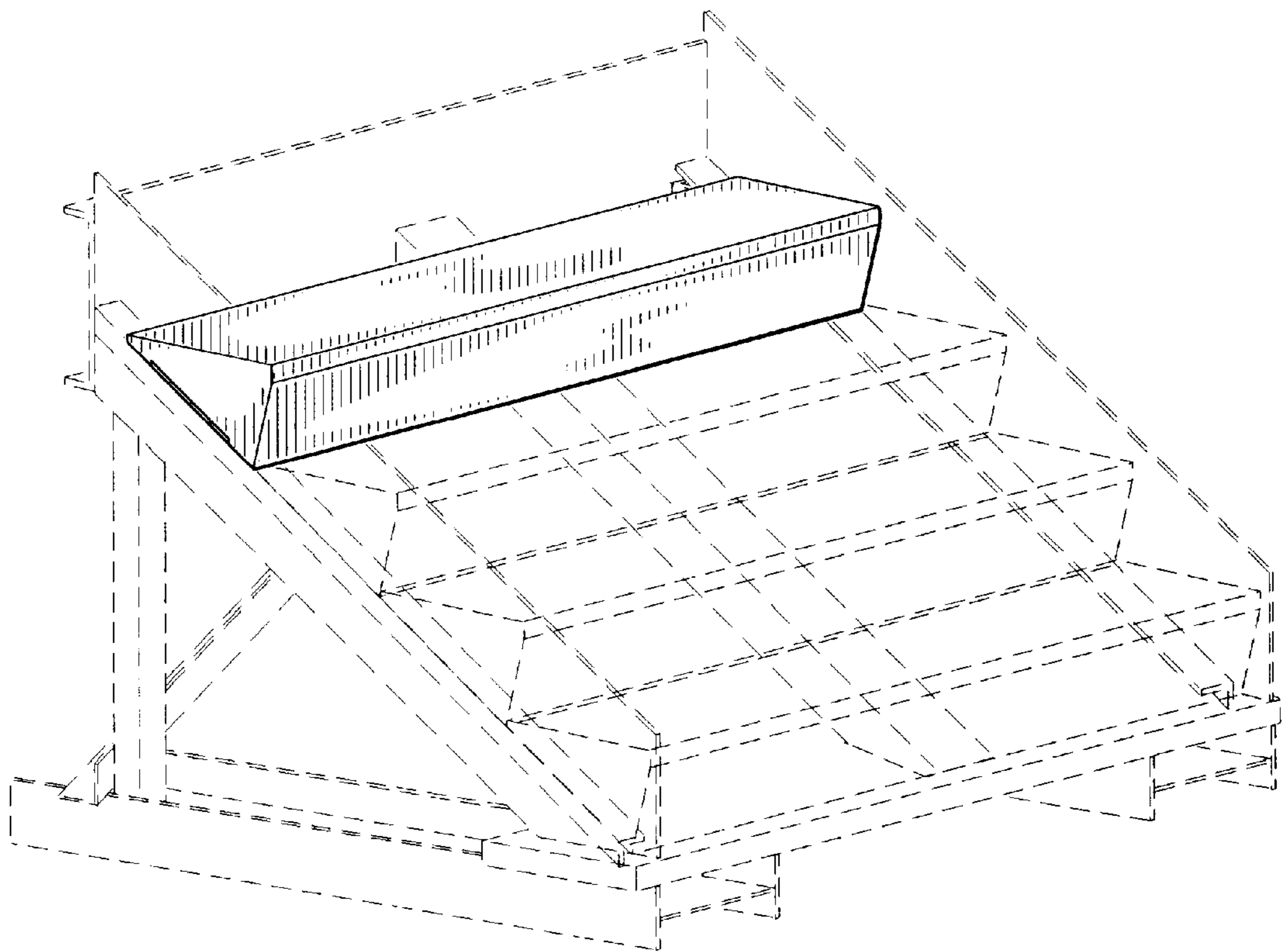


FIG. 7

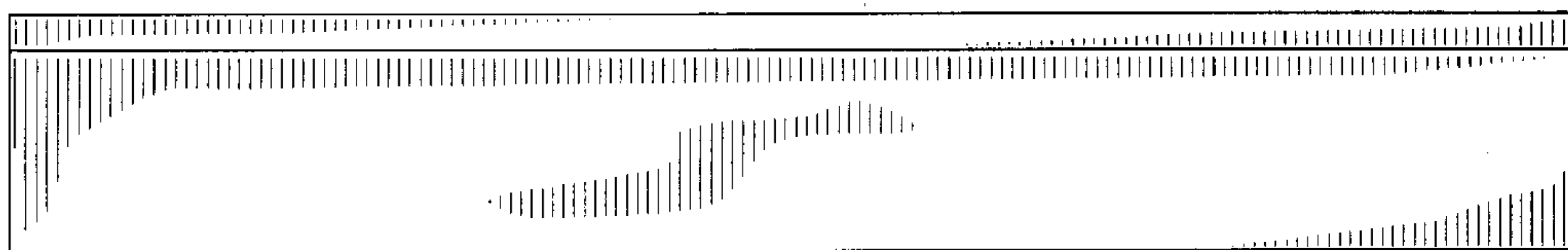


FIG. 8

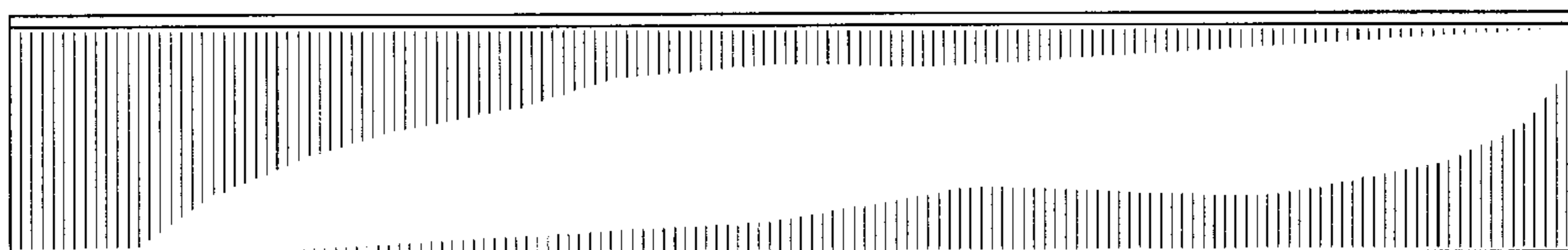


FIG. 9

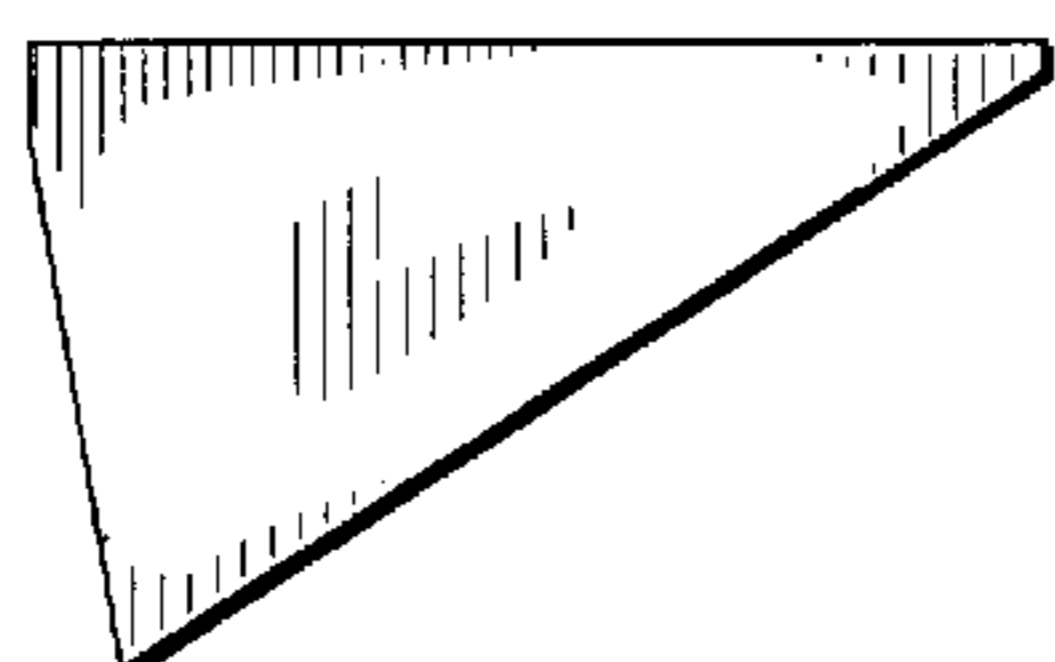


FIG. 10

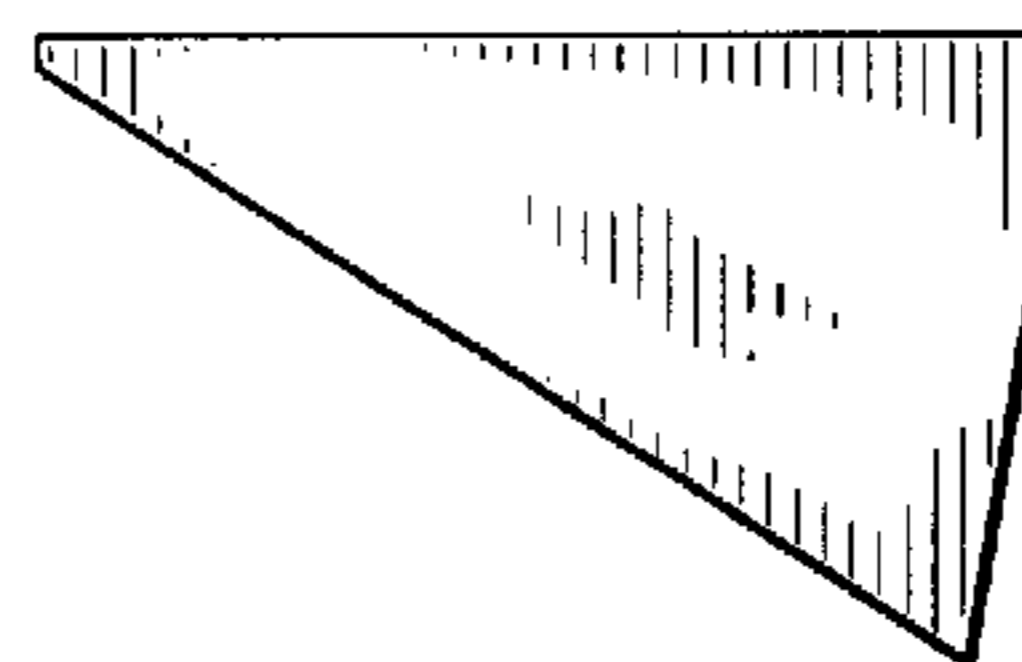


FIG. 11

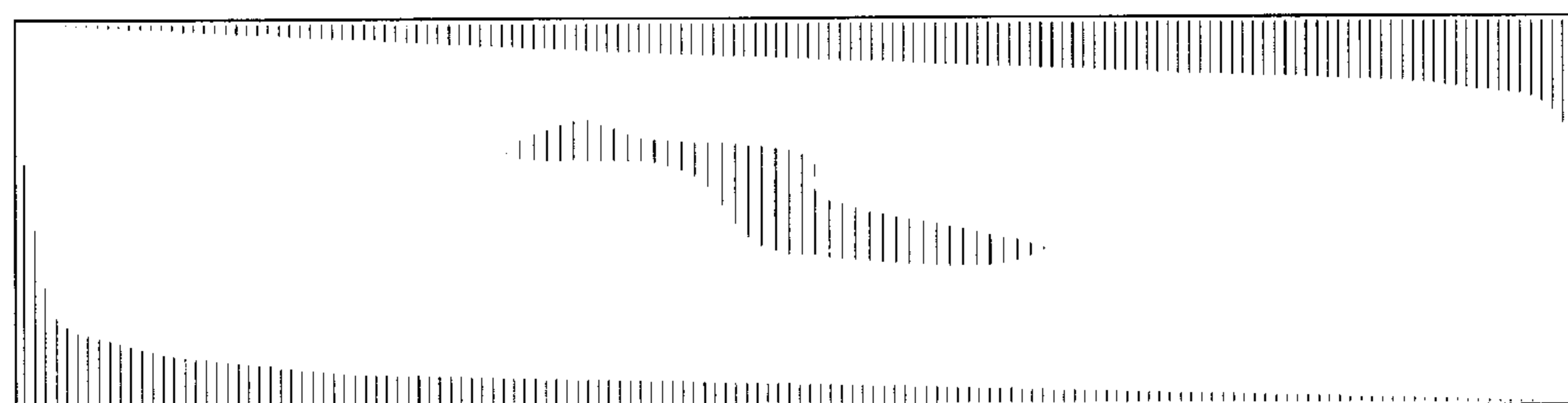


FIG. 12

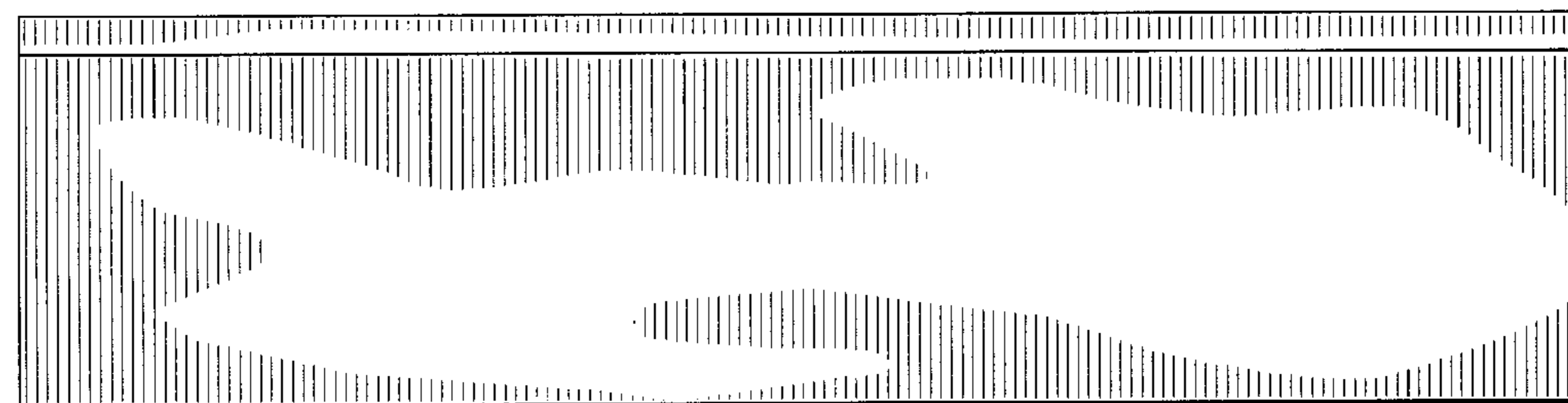


FIG. 13

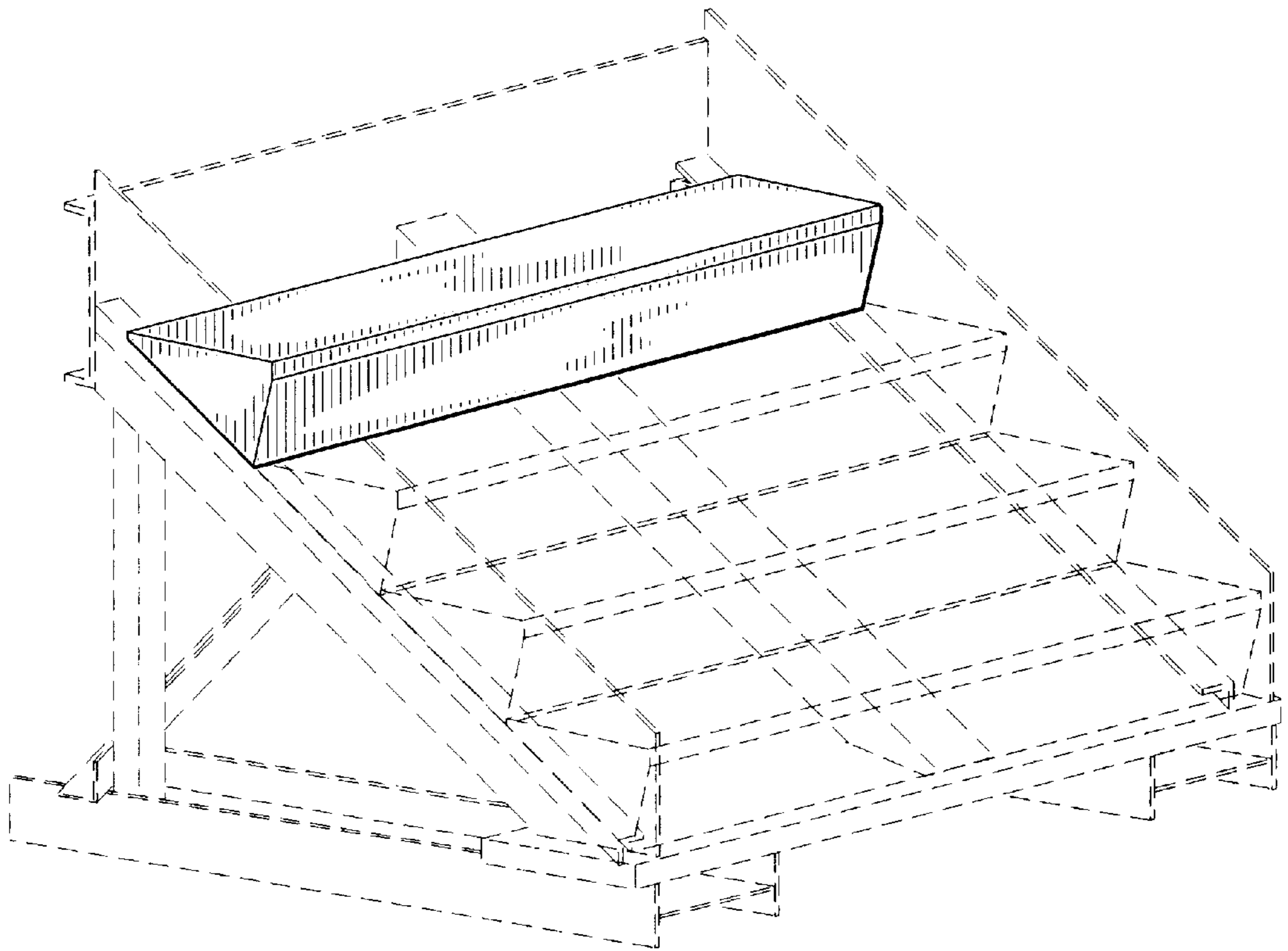


FIG. 14