



US00D417734S

United States Patent [19] Benders

[11] **Patent Number: Des. 417,734**

[45] **Date of Patent: ** Dec. 14, 1999**

[54] **COMPUTED TOMOGRAPHY SCANNER**

D. 323,711 2/1992 Takekoshi et al. D24/159
D. 364,927 12/1995 Murakami et al. D24/159
D. 399,958 10/1998 Hiramatsu D24/158

[75] Inventor: **Arjen Benders**, Eindhoven, Netherlands

[73] Assignee: **U.S. Philips Corporation**, New York, N.Y.

Primary Examiner—Stella Reid
Attorney, Agent, or Firm—Ernestine C. Bartlett

[**] Term: **14 Years**

[57] **CLAIM**

[21] Appl. No.: **29/094,600**

The ornamental design for a computed tomography scanner, as shown.

[22] Filed: **Oct. 6, 1998**

DESCRIPTION

[51] **LOC (6) Cl.** **24-01**

[52] **U.S. Cl.** **D24/158**

[58] **Field of Search** D24/159, 158;
378/4, 15, 17, 19, 20-27

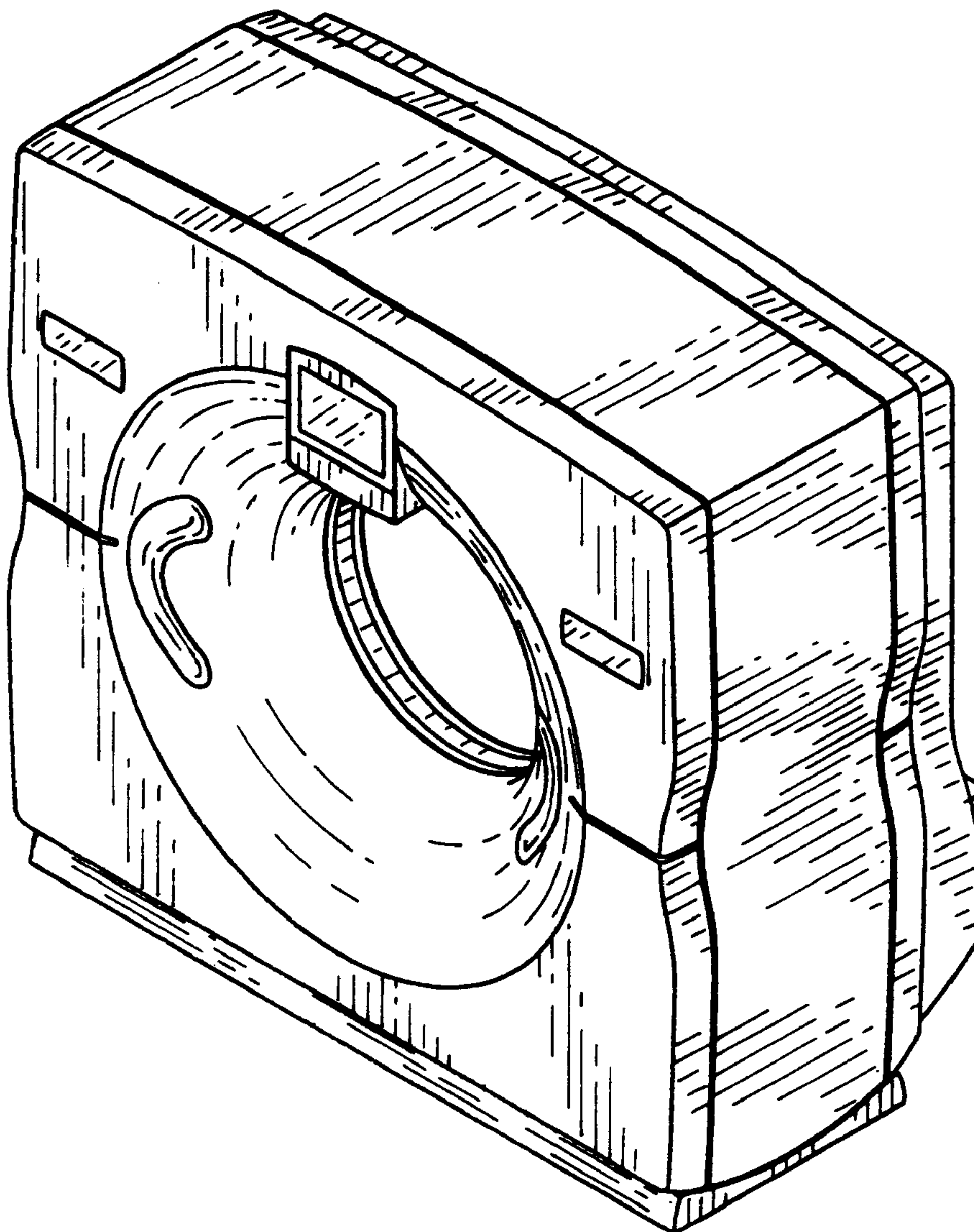
FIG. 1 is a perspective view showing my design;
FIG. 2 is a front elevational view thereof;
FIG. 3 is a rear elevational view thereof;
FIG. 4 is a right side elevational view thereof;
FIG. 5 is a left side elevational view thereof;
FIG. 6 is a top plan view thereof; and,
FIG. 7 is a bottom plan view thereof.

[56] **References Cited**

U.S. PATENT DOCUMENTS

D. 283,729 5/1986 Ramsey D24/158

1 Claim, 4 Drawing Sheets



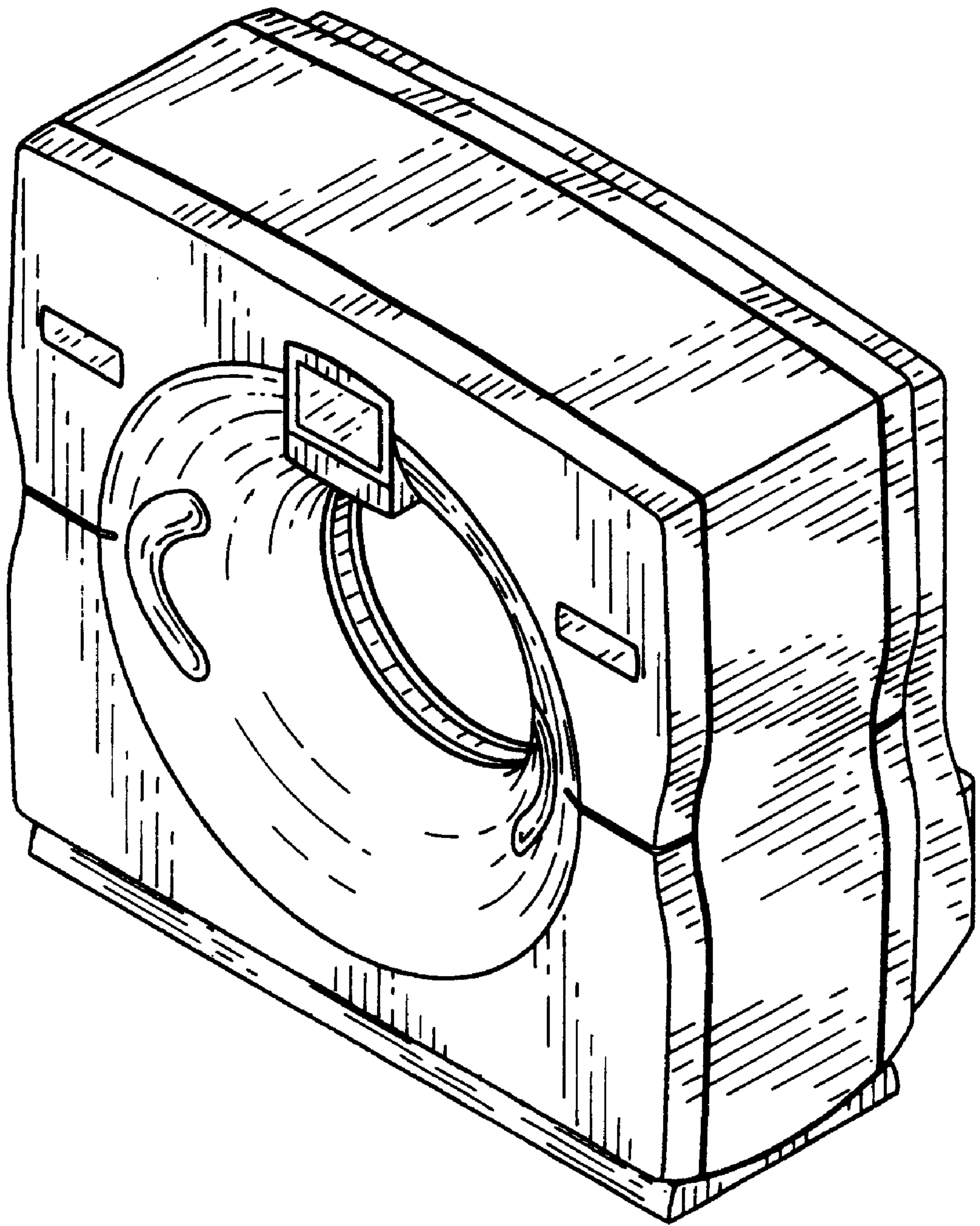


FIG. 1

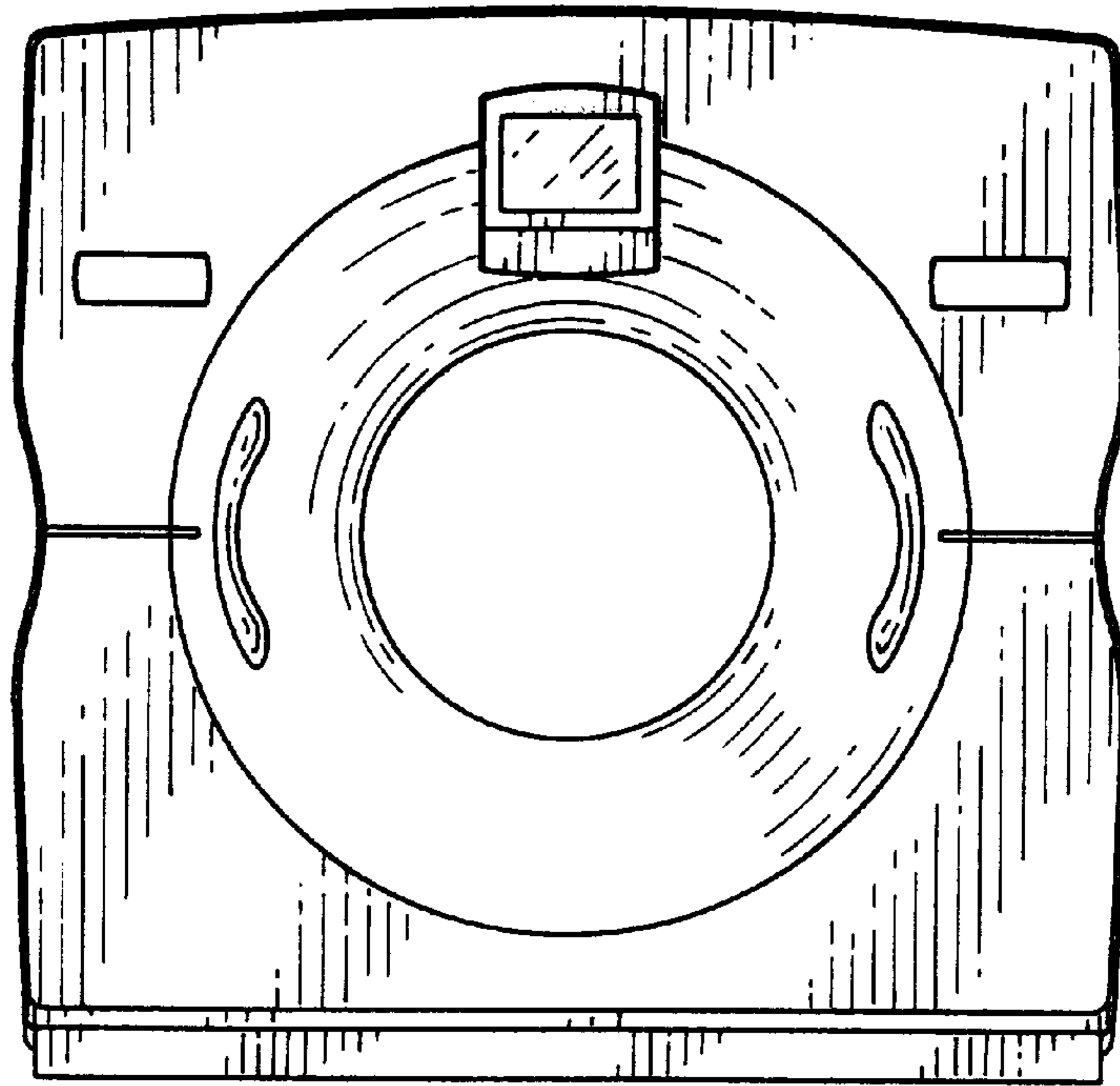


FIG. 2

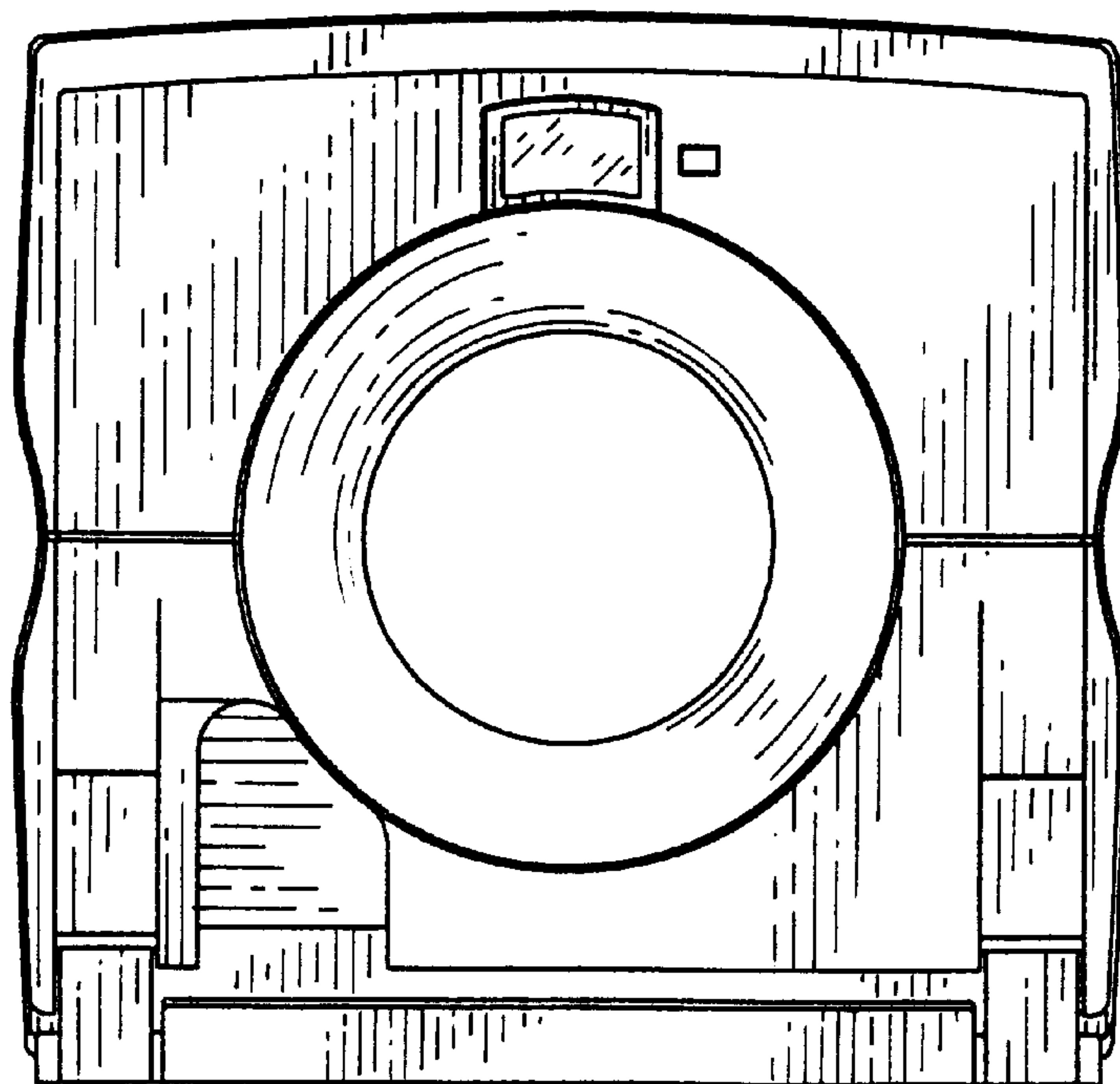


FIG. 3

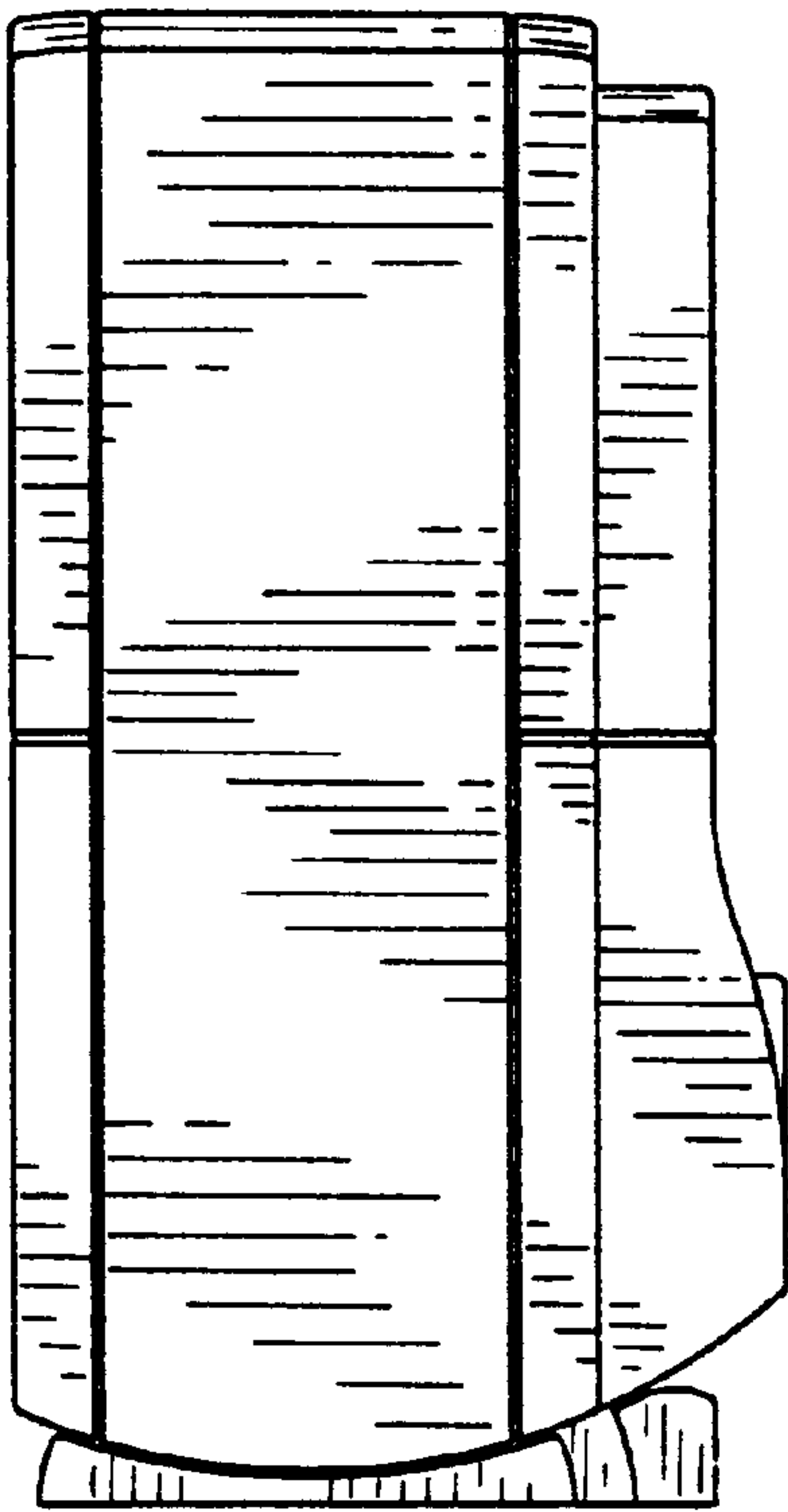


FIG. 4

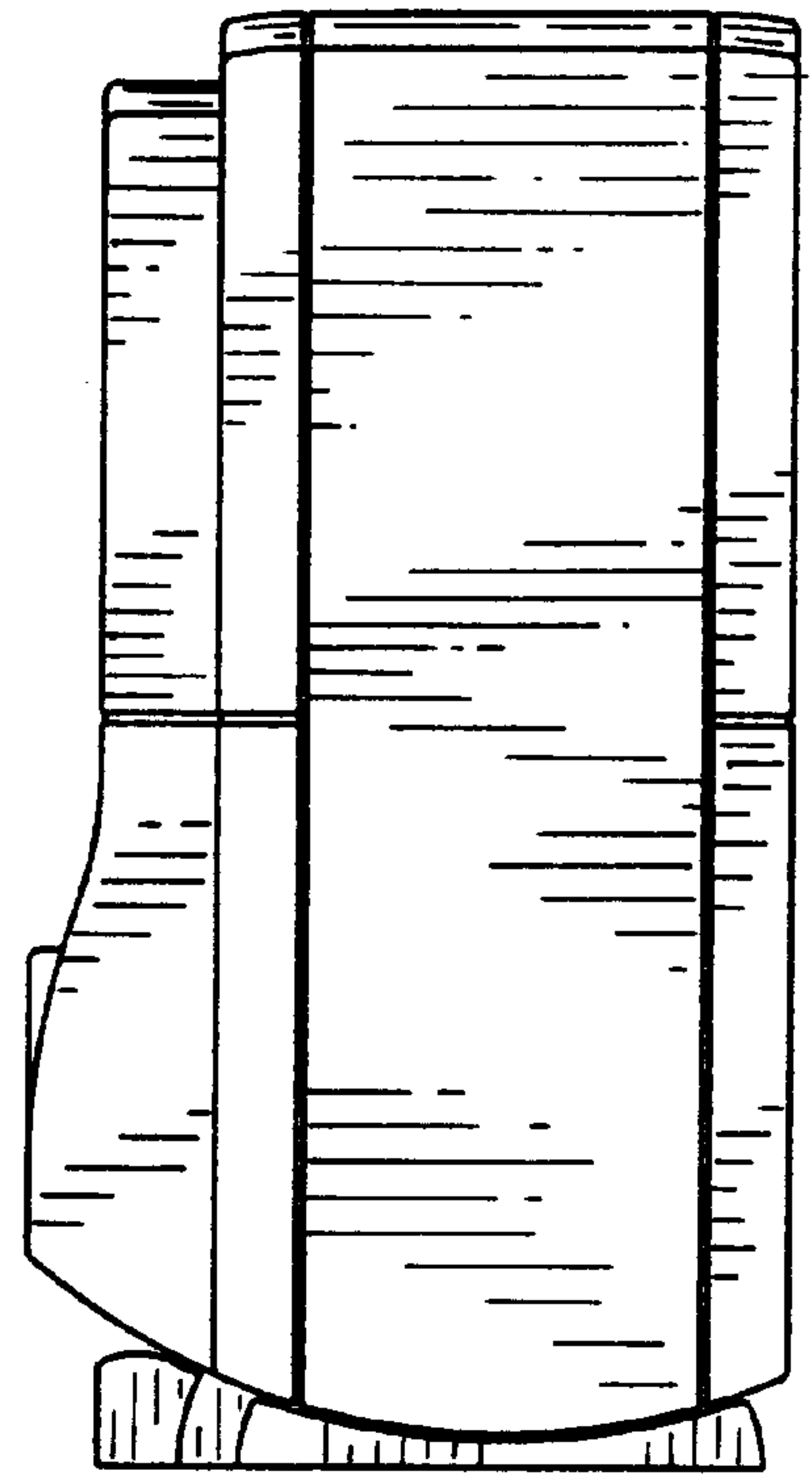


FIG. 5

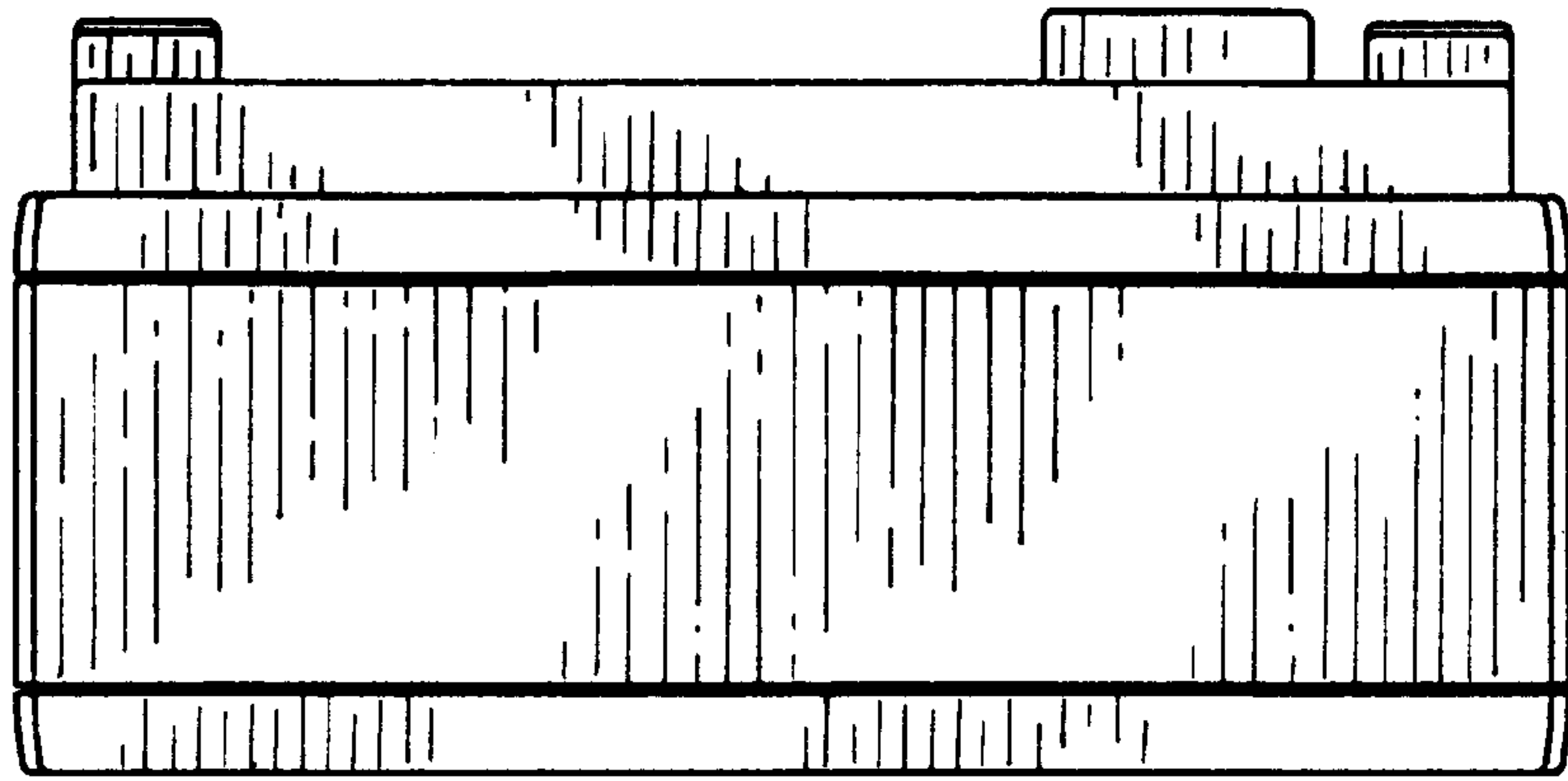


FIG. 6

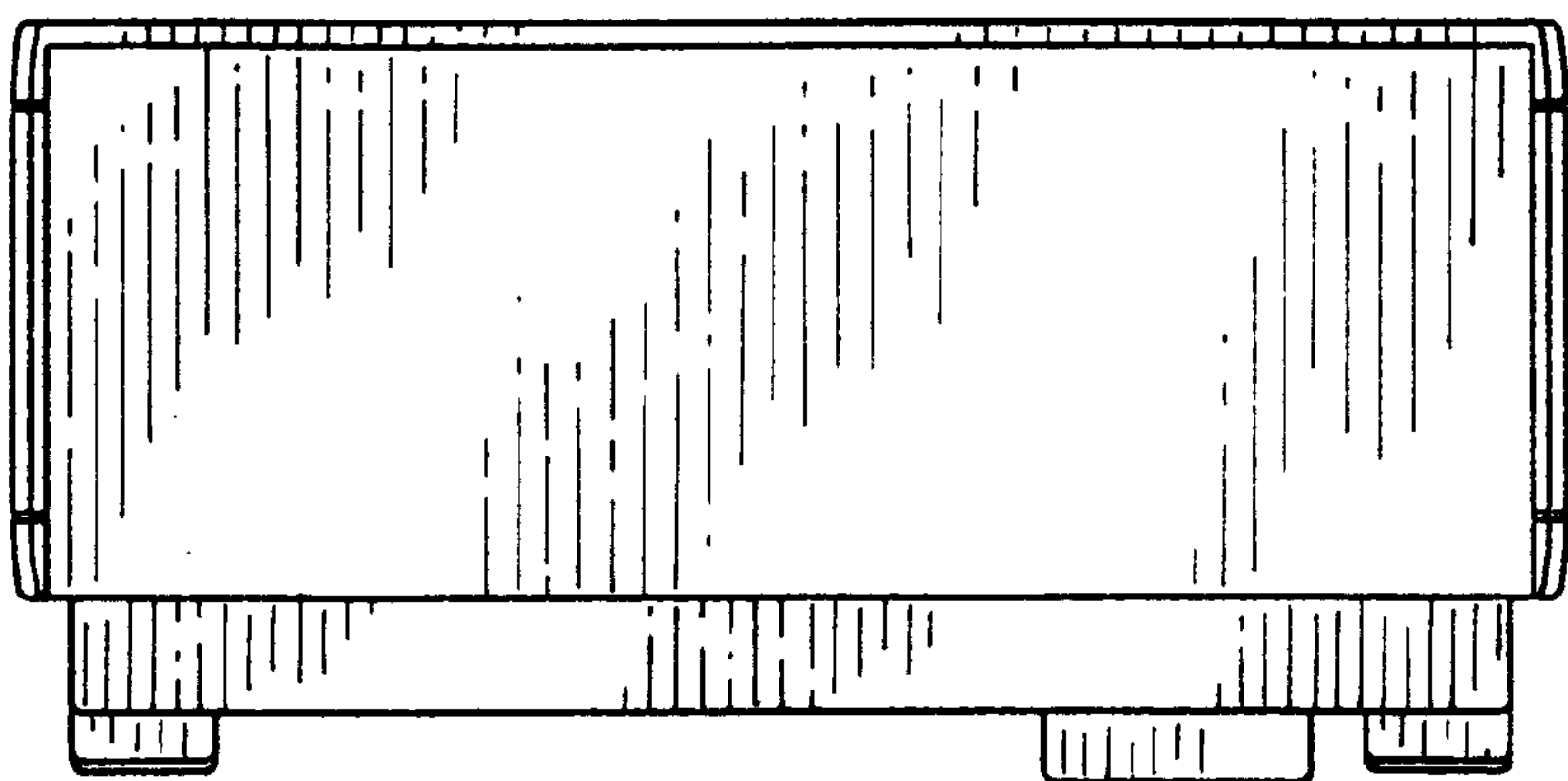


FIG. 7