



US00D417733S

United States Patent [19]

Howell et al.

[11] Patent Number: **Des. 417,733**

[45] Date of Patent: **** Dec. 14, 1999**

[54] **CATHETER INTRODUCER NEEDLE ASSEMBLY**

[75] Inventors: **Glade H. Howell**, Sandy; **Christopher N. Cindrich**, South Jordan; **Weston F. Harding**, Lehi; **Kenneth C. Musgrave**, Salt Lake City; **Bryan G. Davis**, Sandy, all of Utah

4,655,226 4/1987 Lee D24/147 X
 4,973,313 11/1990 Katsaros et al. 604/165
 5,480,389 1/1996 McWha et al. 604/165
 5,676,656 10/1997 Brimhall 604/165
 5,743,882 4/1998 Luther 604/165 X

[73] Assignee: **Becton, Dickinson and Company**, Franklin Lakes, N.J.

Primary Examiner—Stella Reid
Assistant Examiner—I. Simmons
Attorney, Agent, or Firm—Eric M. Lee

[**] Term: **14 Years**

[57] CLAIM

The ornamental design of a catheter introducer needle assembly, as shown and described.

[21] Appl. No.: **29/087,170**

DESCRIPTION

[22] Filed: **Apr. 28, 1998**

FIG. 1 is a front perspective view of catheter introducer needle assembly showing our new design;
 FIG. 2 is a rear perspective view thereof;
 FIG. 3 is a front end elevational view thereof;
 FIG. 4 is a rear end elevational view thereof;
 FIG. 5 is a top plan view thereof;
 FIG. 6 is a side elevational view thereof with the other side being a mirror image thereof; and,
 FIG. 7 is a bottom plan view thereof.

[51] **LOC (6) Cl.** **24-02**

[52] **U.S. Cl.** **D24/112; D24/130; D24/146**

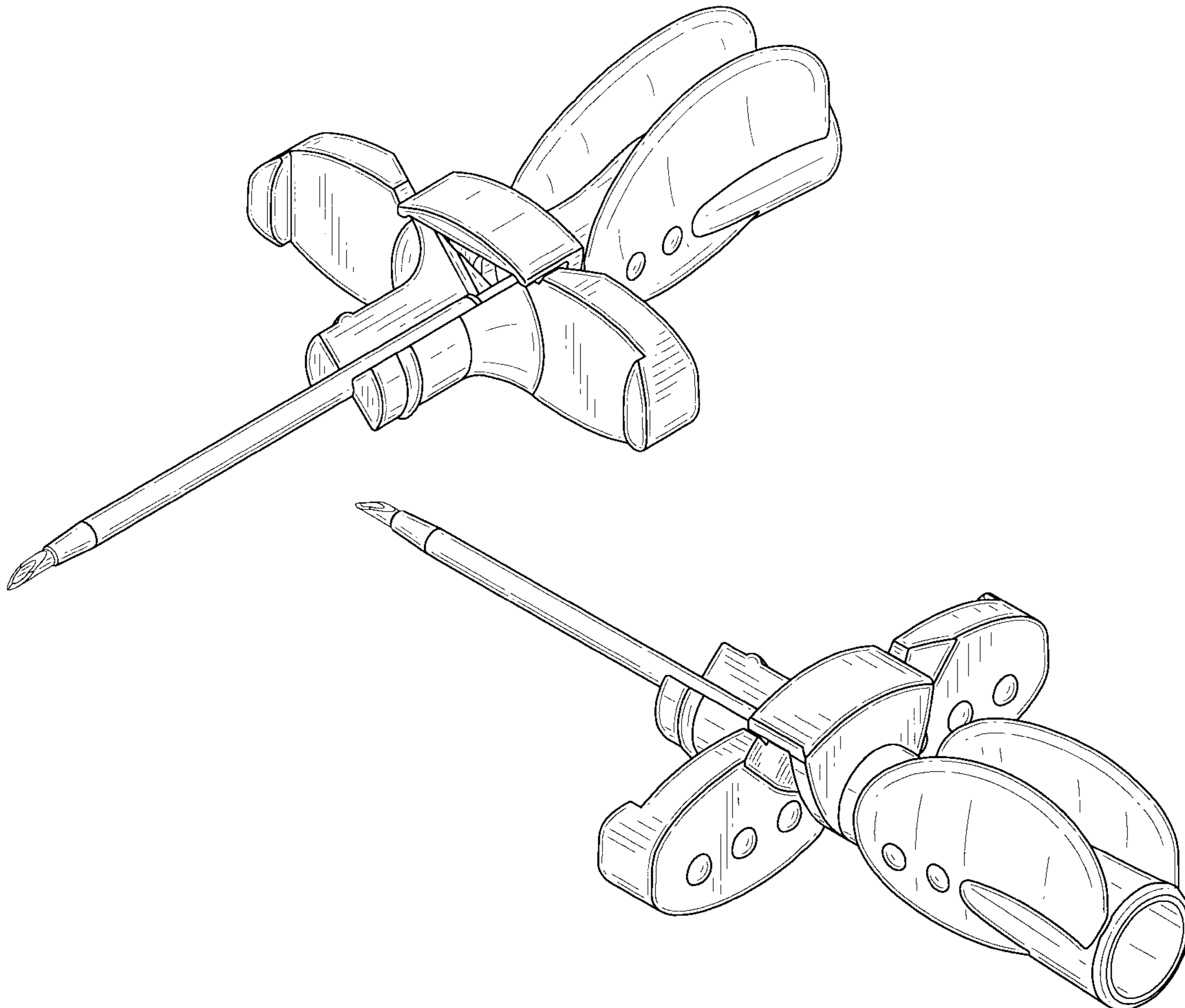
[58] **Field of Search** D24/112, 130, D24/146; 604/177, 178, 168, 164, 165, 513, 506, 503

[56] References Cited

U.S. PATENT DOCUMENTS

D. 378,405 3/1997 Musgrave et al. D24/112

1 Claim, 6 Drawing Sheets



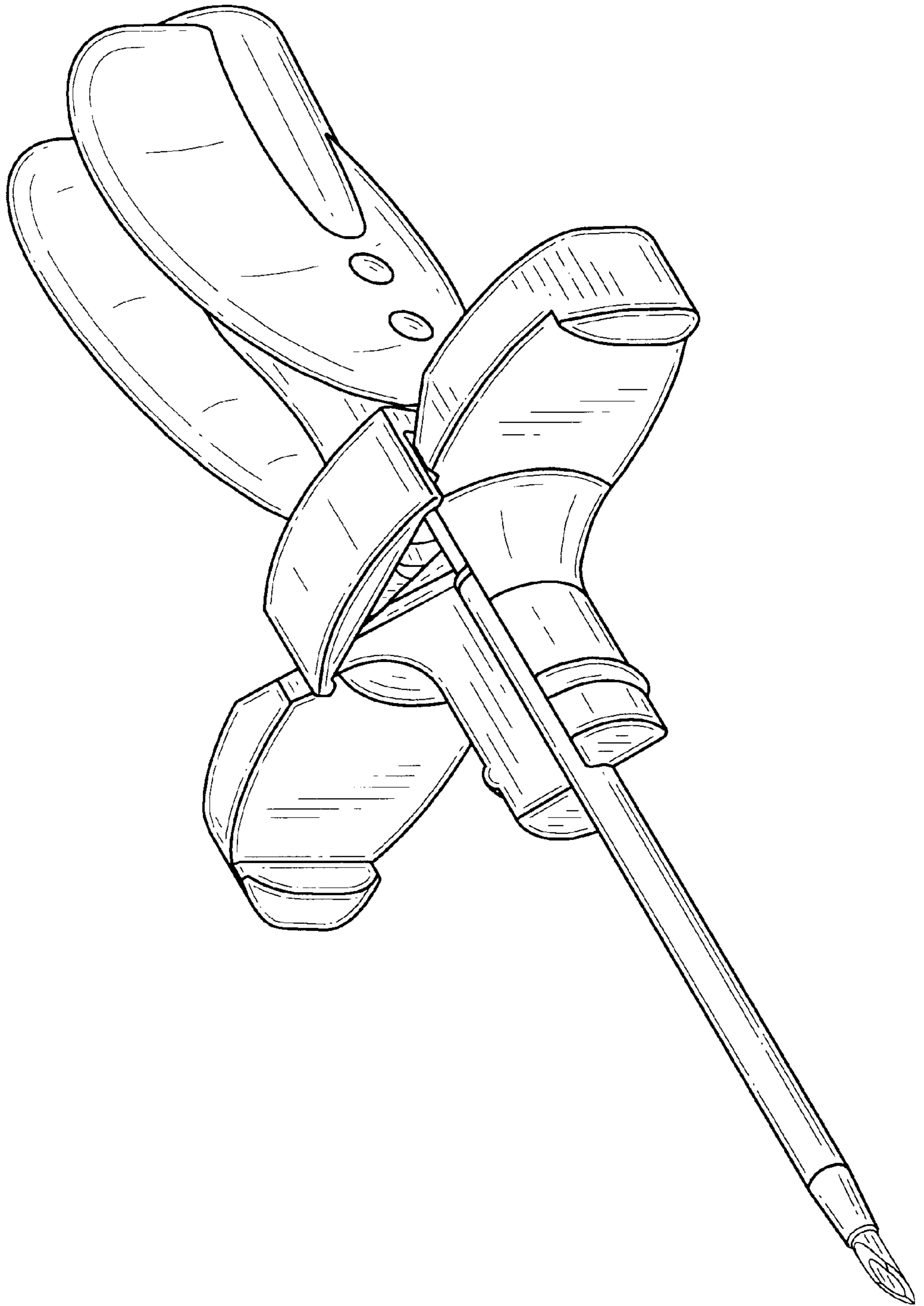


FIG-1

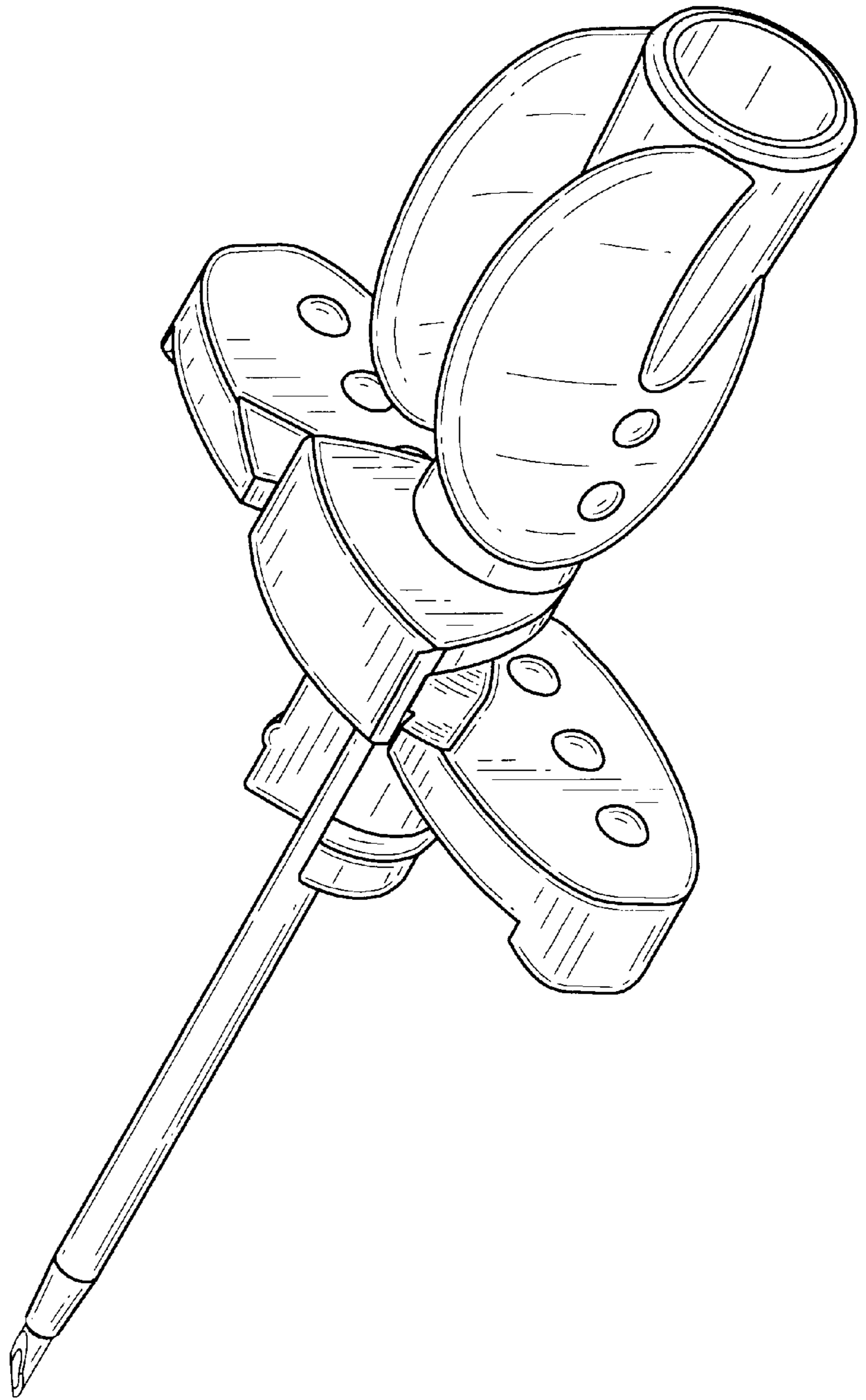


FIG-2

FIG-3

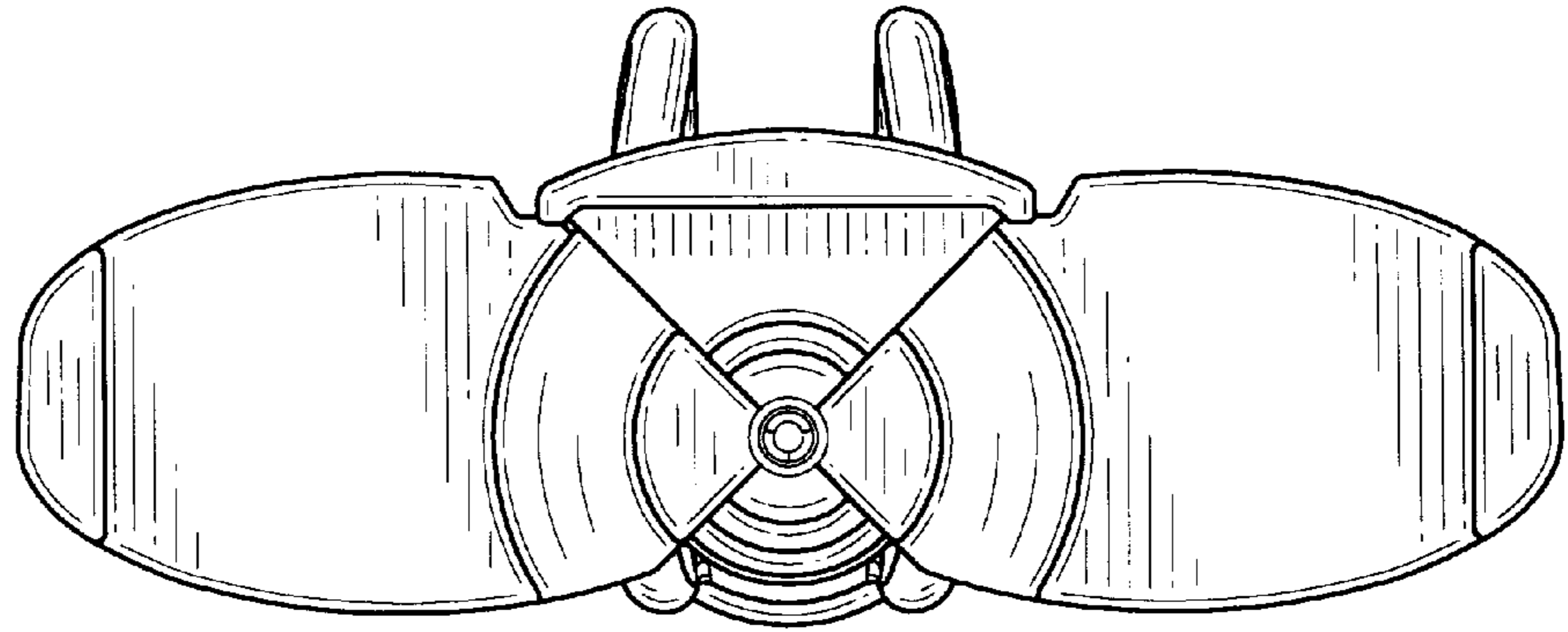
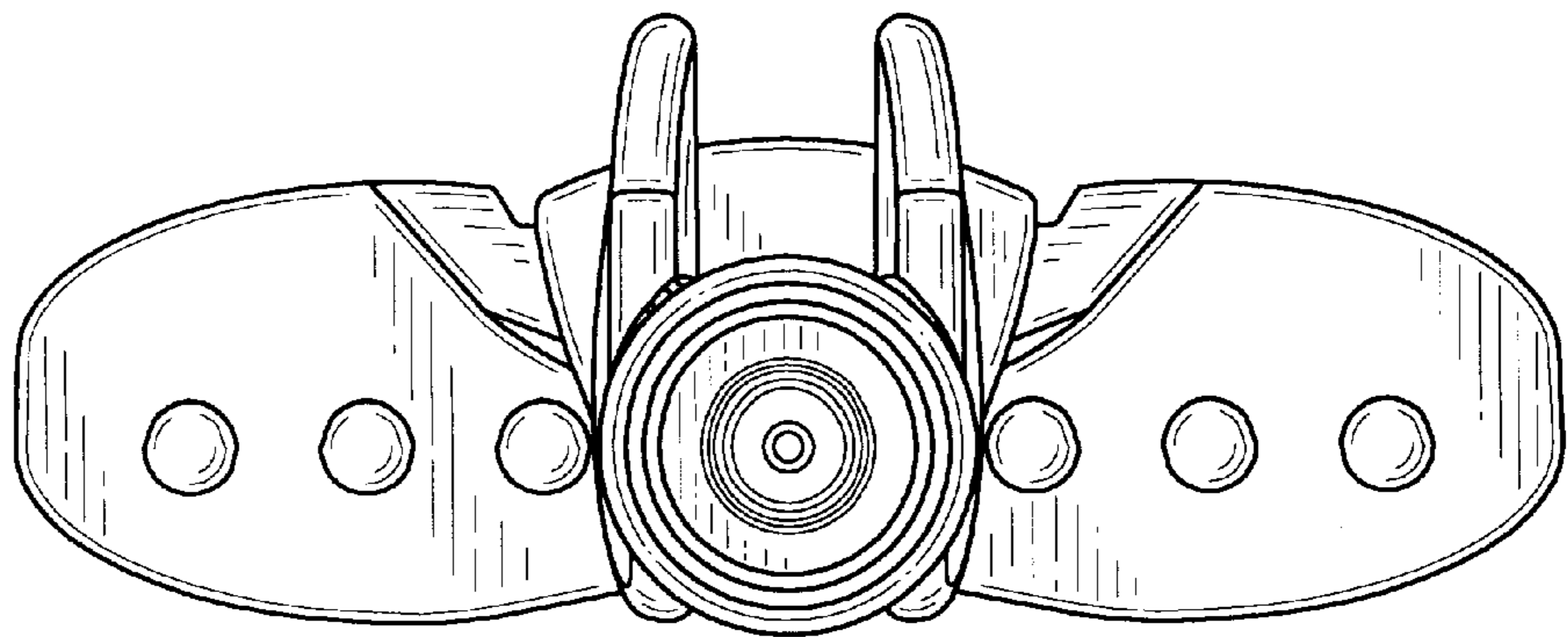


FIG-4



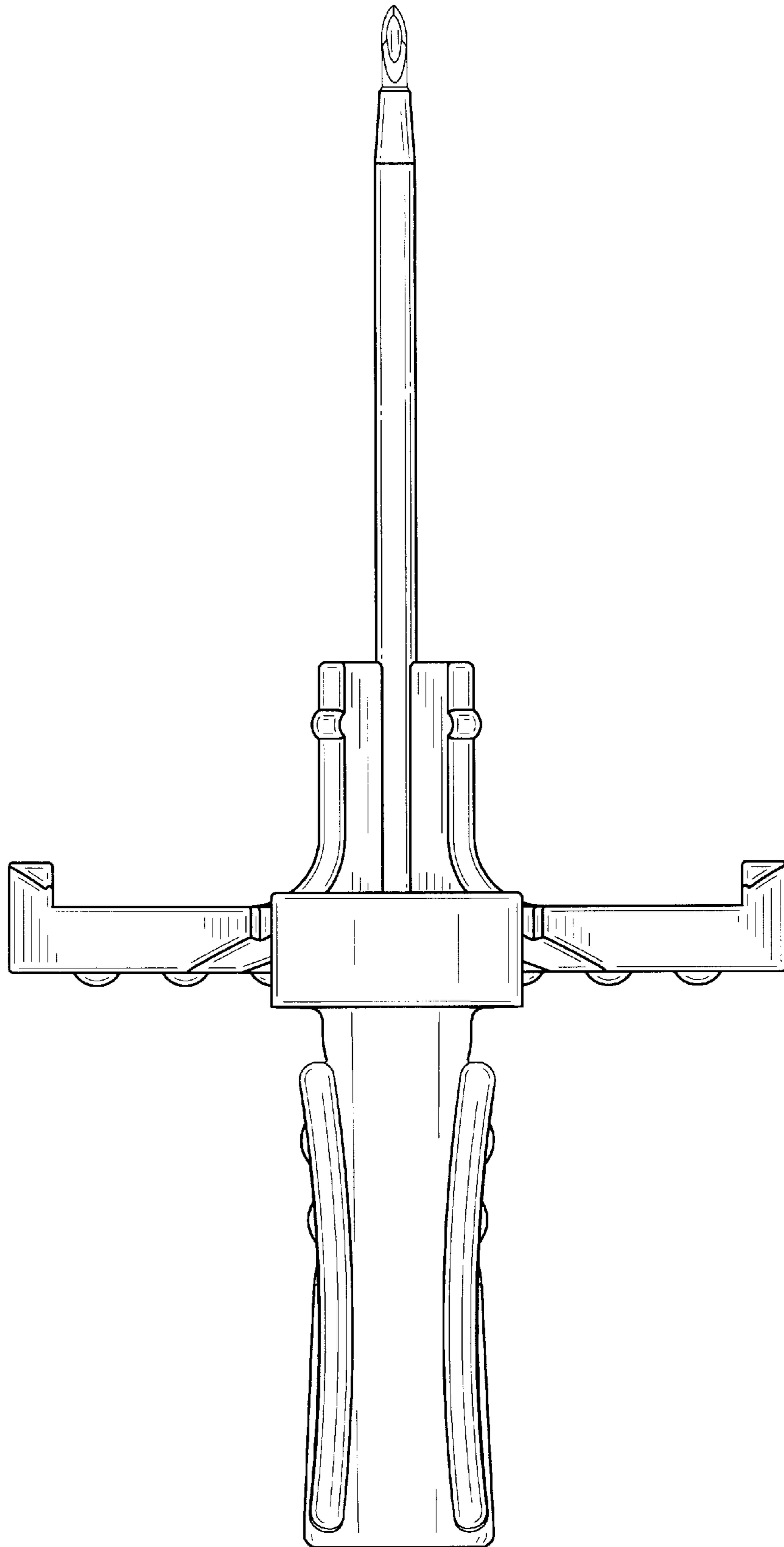
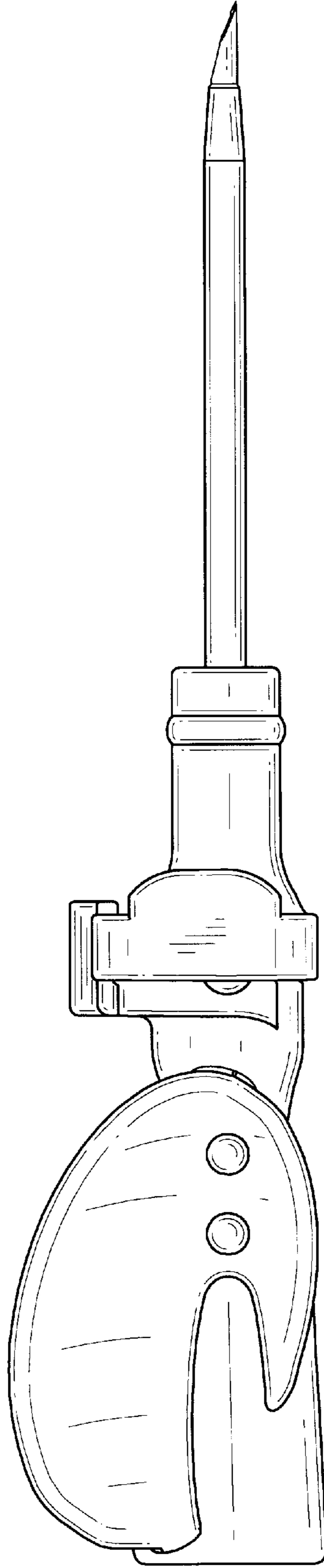


FIG-5

FIG-6



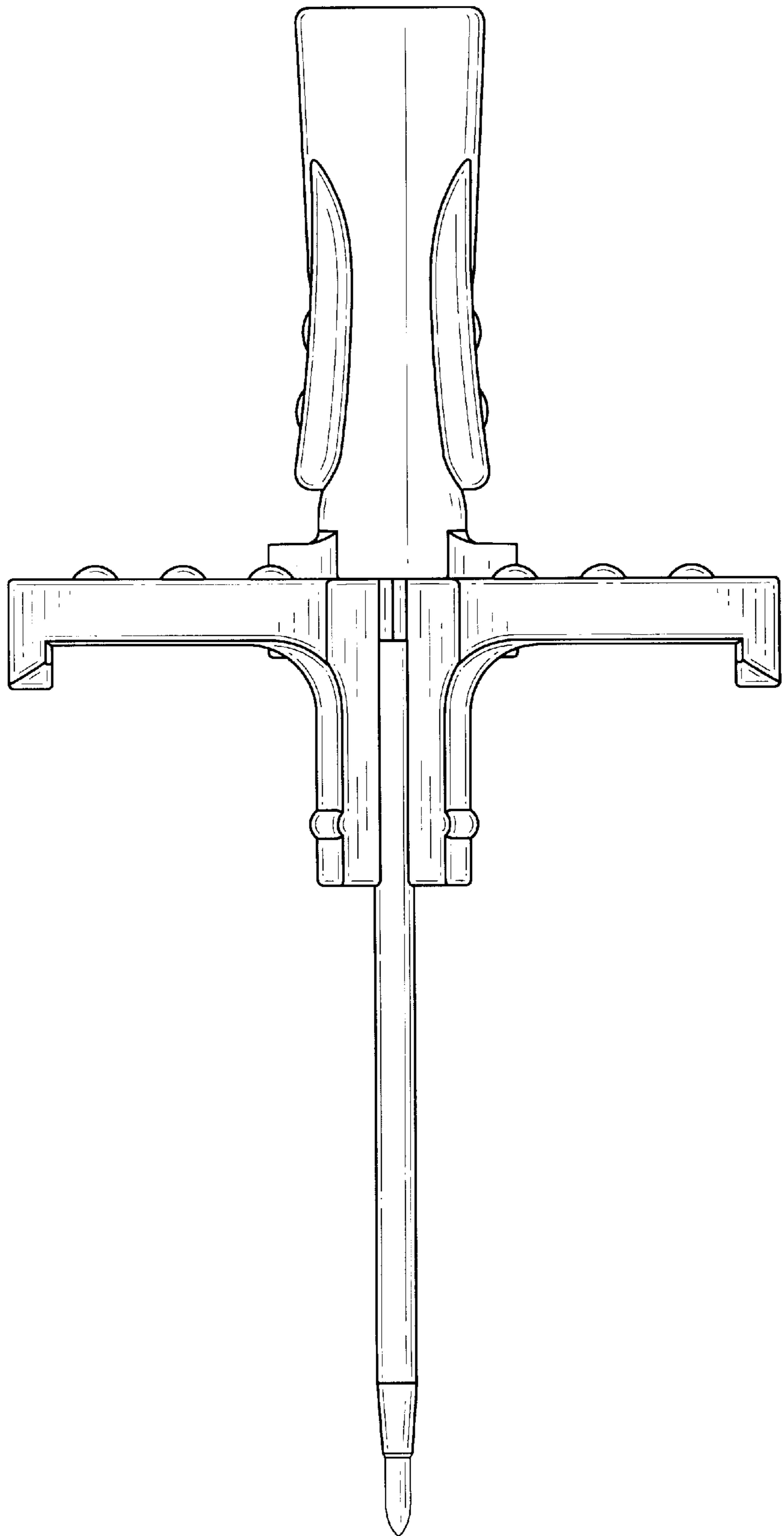


FIG-7