



US00D417726S

United States Patent [19]

Elkas

[11] Patent Number: Des. 417,726

[45] Date of Patent: ** Dec. 14, 1999

[54] FOG BOX

[76] Inventor: Michael V. Elkas, 28 Franklin St., Ramsey, N.J. 07446

[**] Term: 14 Years

[21] Appl. No.: 29/068,594

[22] Filed: Mar. 12, 1997

[51] LOC (6) Cl. 23-04

[52] U.S. Cl. D23/355

[58] Field of Search 454/305, 284, 454/306; 261/DIG. 65, 142; D9/414, 423, 430; 237/78 R, 78 A, 79; 165/122; D23/355

[56] **References Cited**

U.S. PATENT DOCUMENTS

4,911,866	3/1990	Monroe	261/DIG. 65
4,990,290	2/1991	Gill et al.	261/DIG. 65
5,093,895	3/1992	Ghorayeb	237/78 A
5,664,730	9/1997	Vallieres et al.	237/78 R

Primary Examiner—Lisa Lichtenstein

Attorney, Agent, or Firm—Akin, Gump, Strauss, Hauer & Feld, L.L.P.

[57] **CLAIM**

The ornamental design for a fog box, as shown.

DESCRIPTION

FIG. 1 is a perspective view of the front of the invention embodying the new design;
 FIG. 2 is a front elevation view of the embodiment of FIG. 1.
 FIG. 3 is a back elevation view of the embodiment of FIG. 1.
 FIG. 4 is a side elevation view of the embodiment of FIG. 1, shown from the left side.
 FIG. 5 is a side elevation view of the embodiment of FIG. 1, taken from the right side, opposite the view shown in FIG. 4.
 FIG. 6 is an enlarged top elevation view of the embodiment of FIG. 1; and,
 FIG. 7 is an enlarged bottom elevation view of the embodiment of FIG. 1.

1 Claim, 3 Drawing Sheets

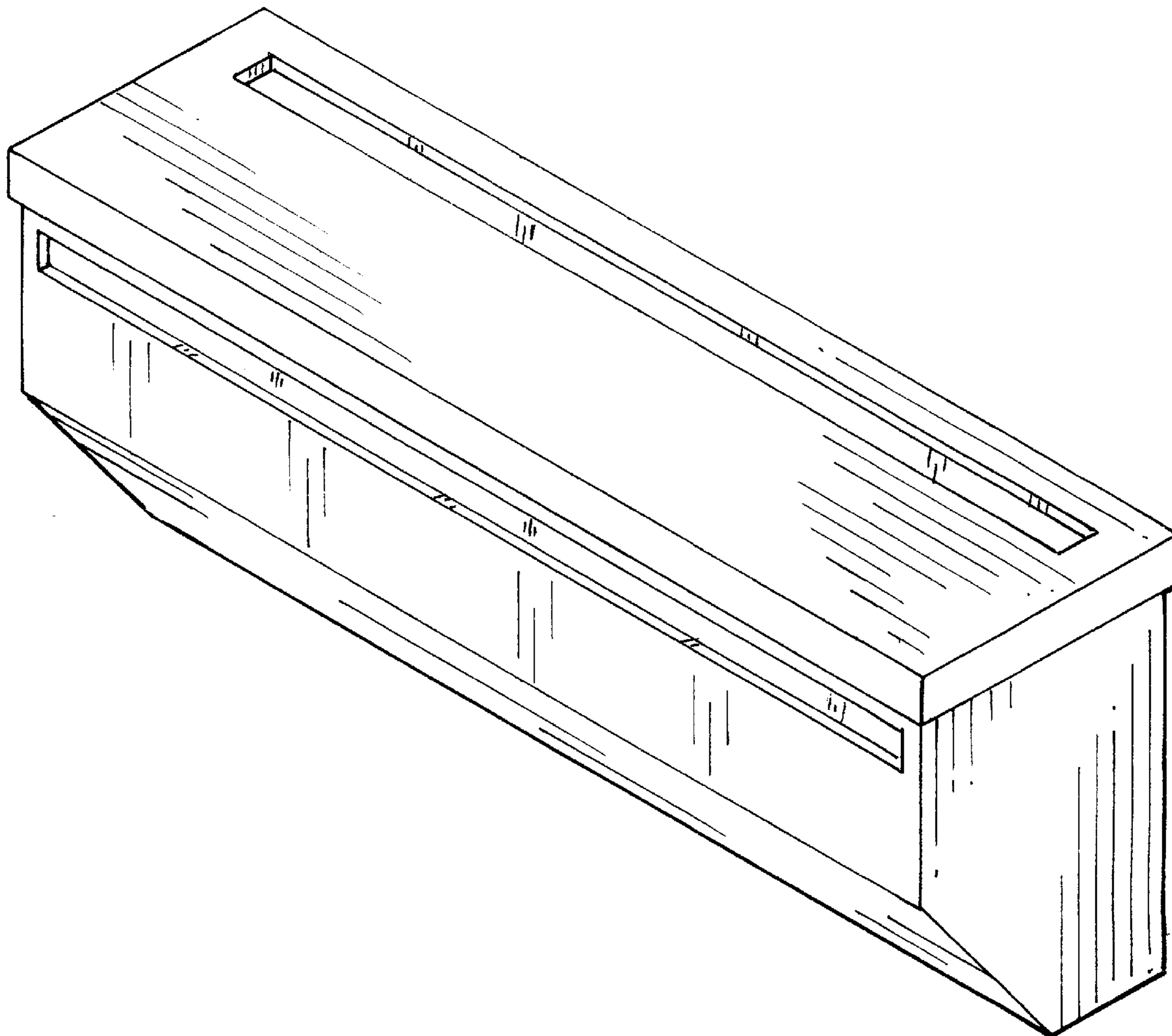


Fig. 1

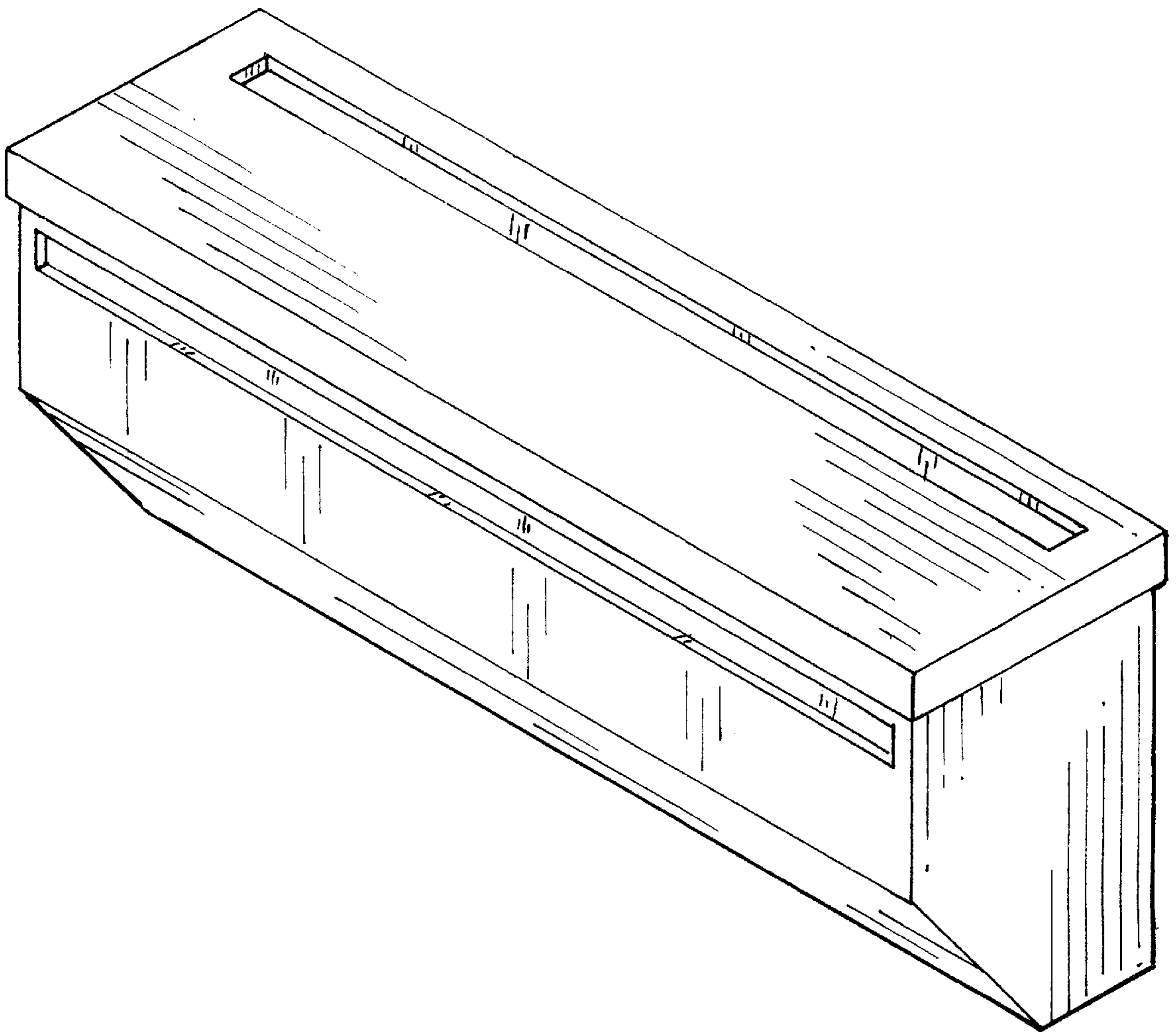


Fig. 2

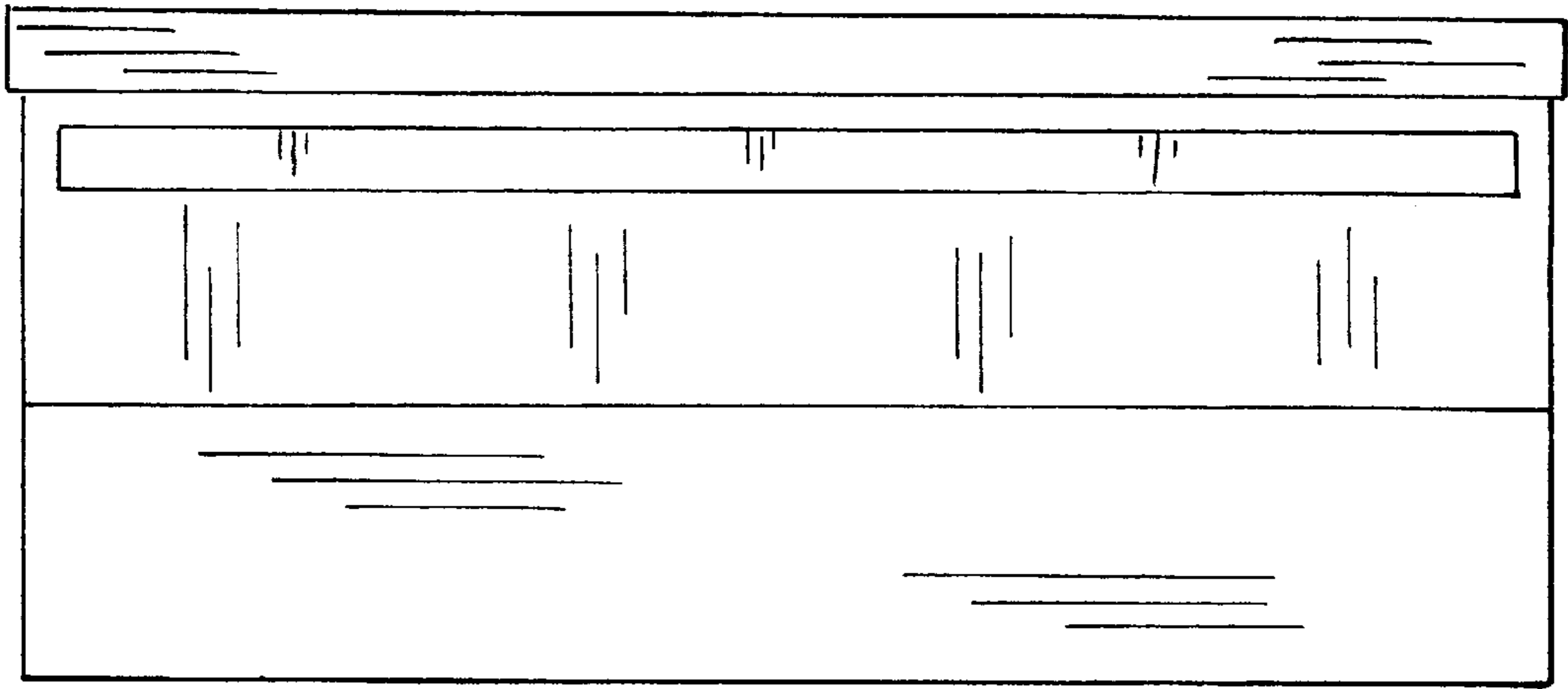


Fig. 4

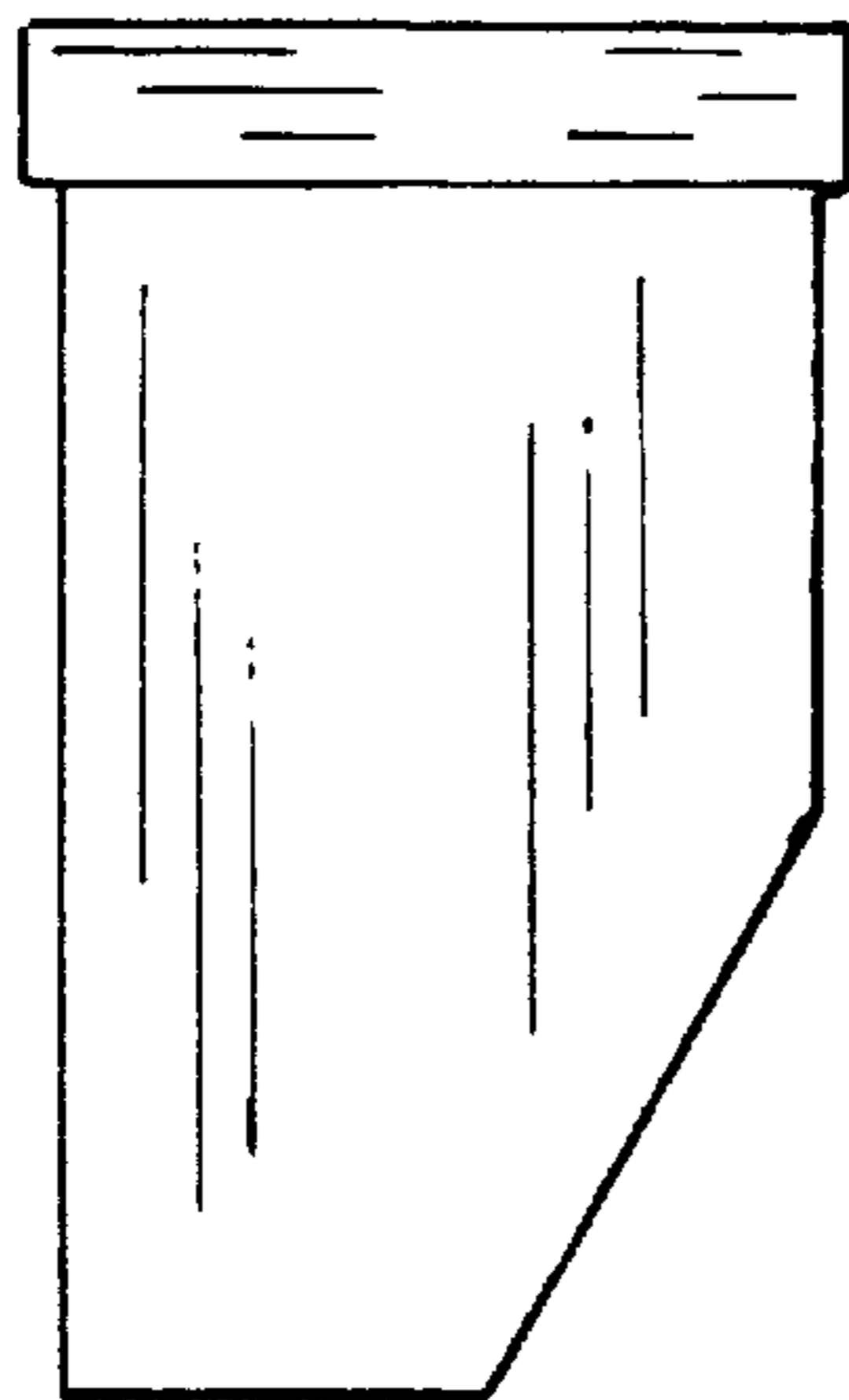


Fig. 5

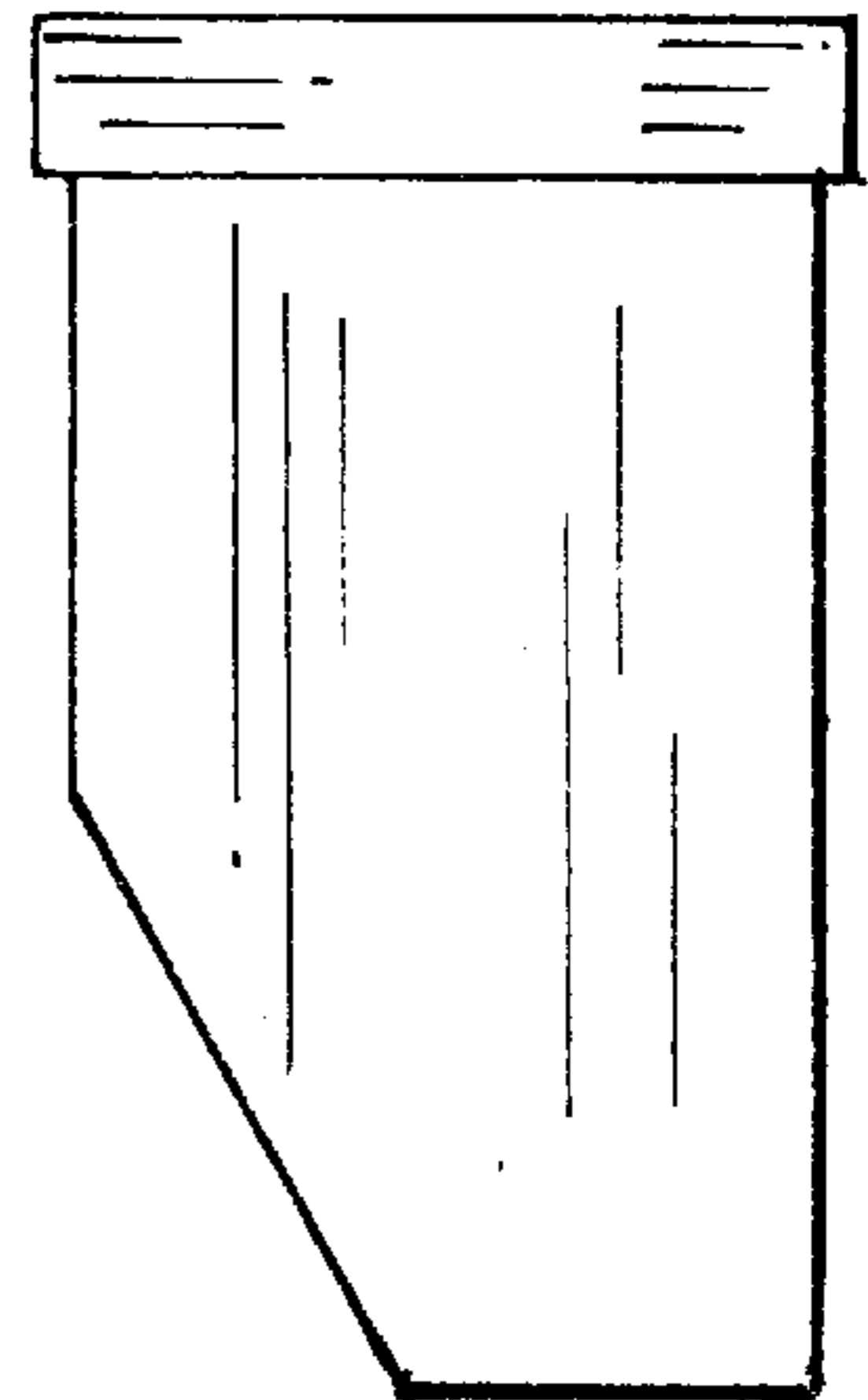


Fig. 3

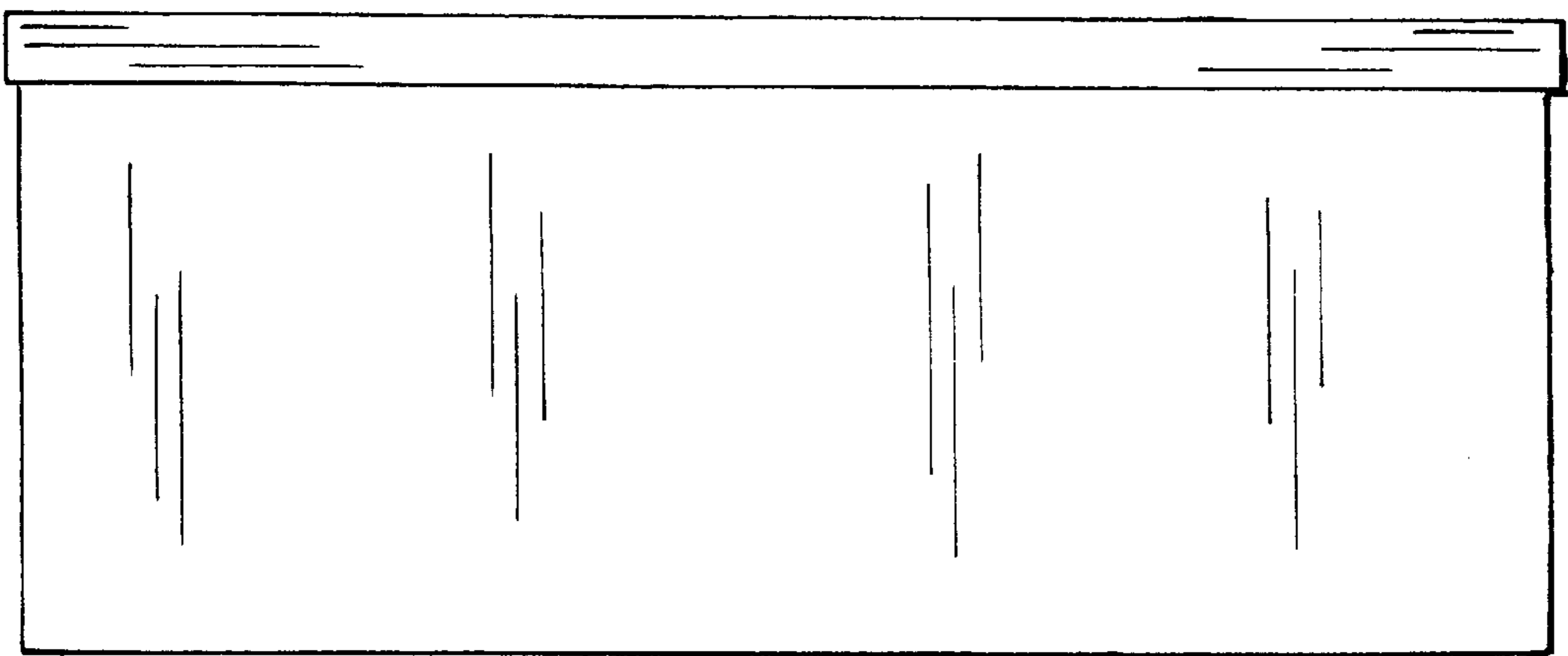


Fig. 6

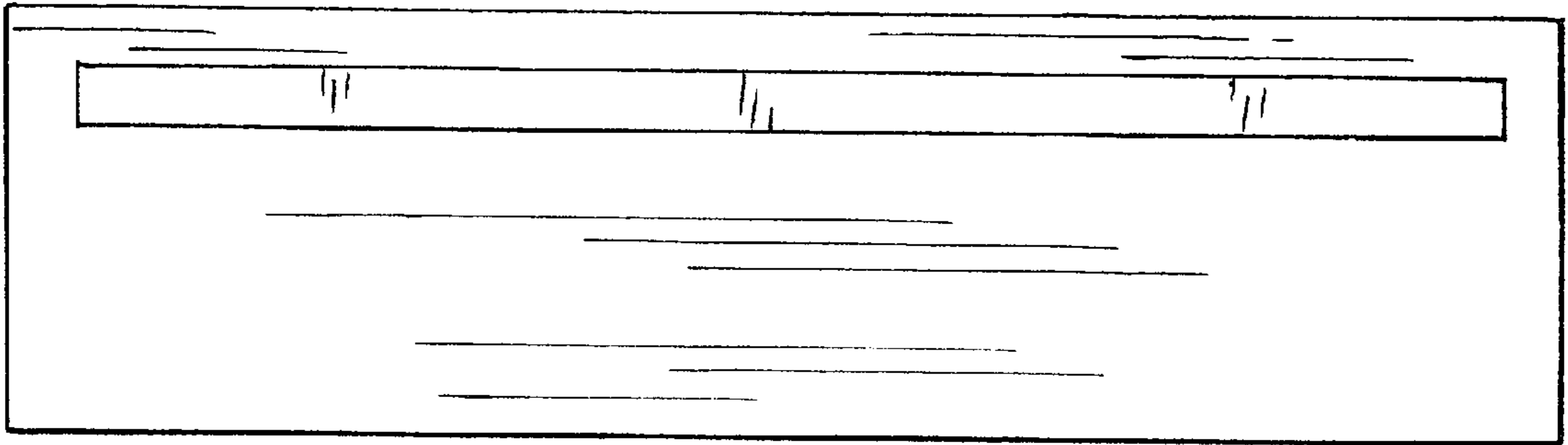


Fig. 7

