



US00D417723S

United States Patent [19] Ricigliano

[11] **Patent Number: Des. 417,723**

[45] **Date of Patent: ** Dec. 14, 1999**

[54] **TOILET SEAT HANDLE**

4,805,246 2/1989 Vargas et al. 4/246.1

[76] Inventor: **Michael Ricigliano**, 113 A1 15th St.,
Garden City, N.Y. 11530

Primary Examiner—Eric Watterson
Attorney, Agent, or Firm—Collard & Roe, P.C.

[**] Term: **14 Years**

[57] **CLAIM**

[21] Appl. No.: **29/083,122**

The ornamental design for a toilet seat handle, as shown and described.

[22] Filed: **Feb. 4, 1998**

DESCRIPTION

[51] **LOC (6) Cl.** **23-02**

[52] **U.S. Cl.** **D23/311**

[58] **Field of Search** D23/303-311;
D8/300, 307; 4/246, 246.3, 246.4, 661

FIG. 1 shows a top view of my design for a toilet seat handle mounted on a toilet seat;

FIG. 2 shows a perspective view of my design for a toilet seat handle;

FIG. 3 shows a top view thereof;

FIG. 4 shows a side view thereof, with both sides being identical;

FIG. 5 shows a rear view thereof;

FIG. 6 shows a front view thereof; and,

FIG. 7 shows a bottom view thereof.

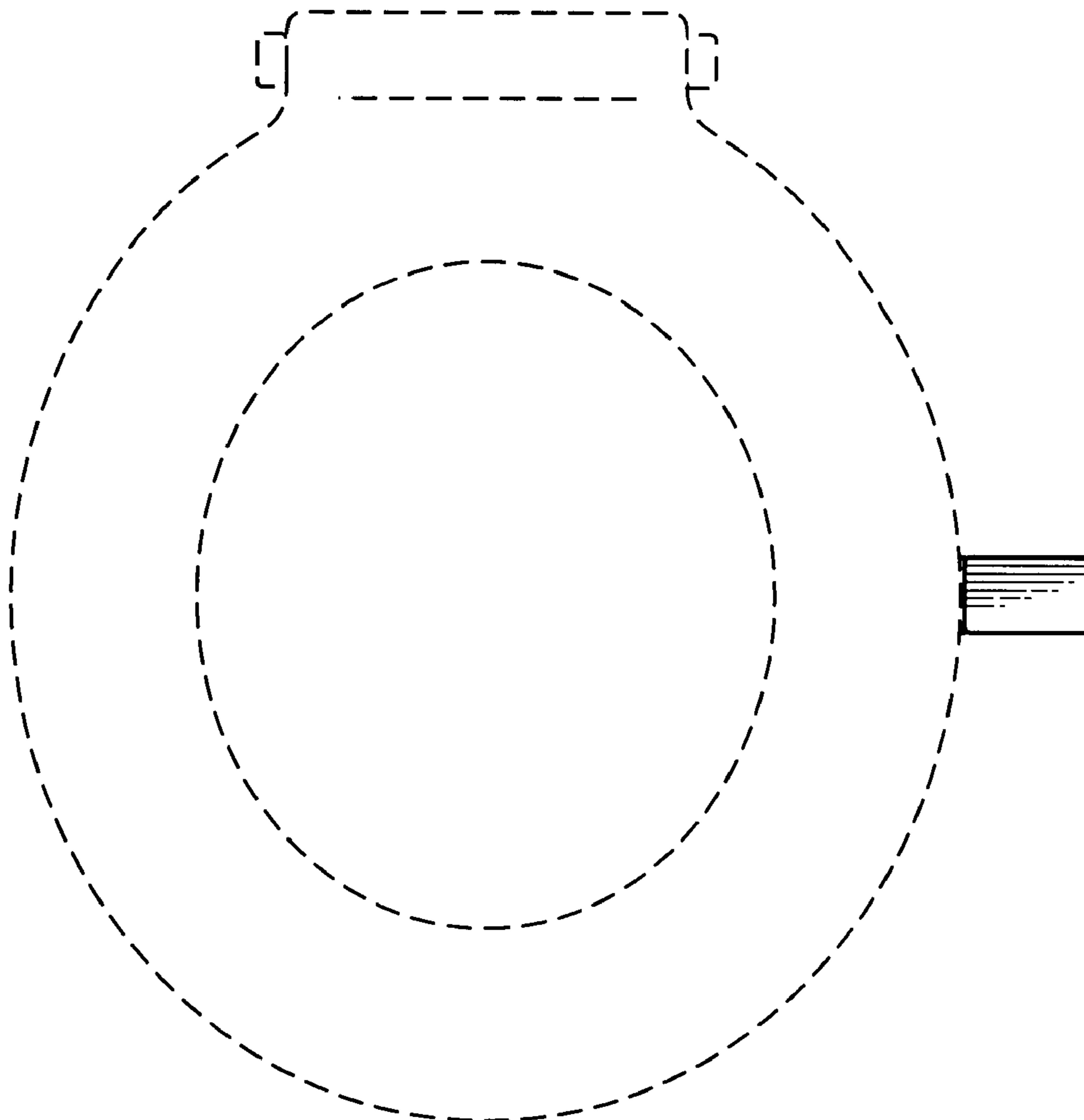
The broken line showing is for illustrative purposes only and forms no part of the claimed design.

[56] **References Cited**

U.S. PATENT DOCUMENTS

D. 245,095	7/1977	Murray	D8/307
D. 326,599	6/1992	Callahan	D8/307
D. 363,976	11/1995	Vinal	D23/252
D. 379,497	5/1997	Renfro et al.	D23/309
D. 406,641	3/1999	Siliato	D23/311
D. 406,884	3/1999	Goss	D23/311

1 Claim, 2 Drawing Sheets



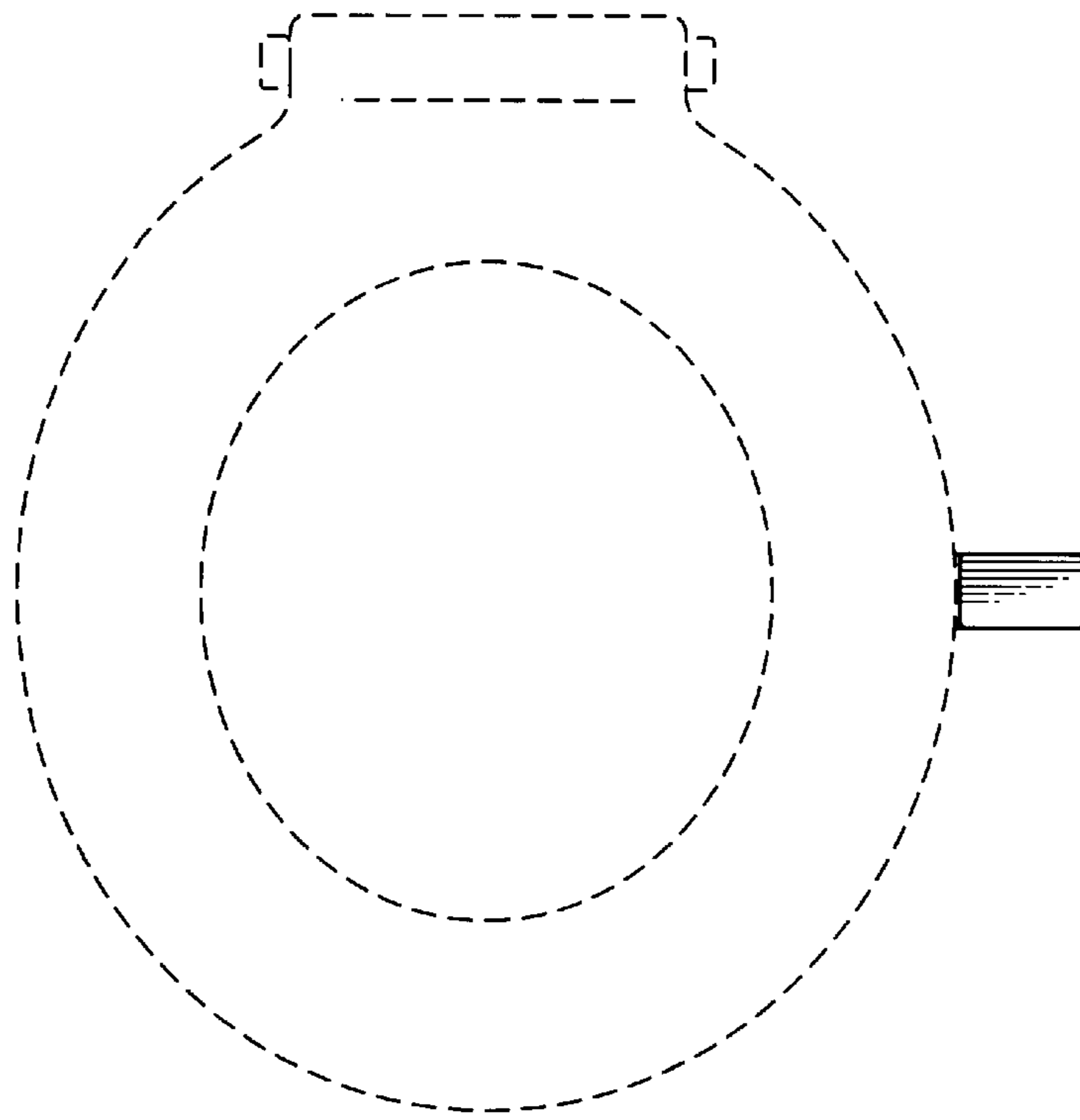


Fig. 1

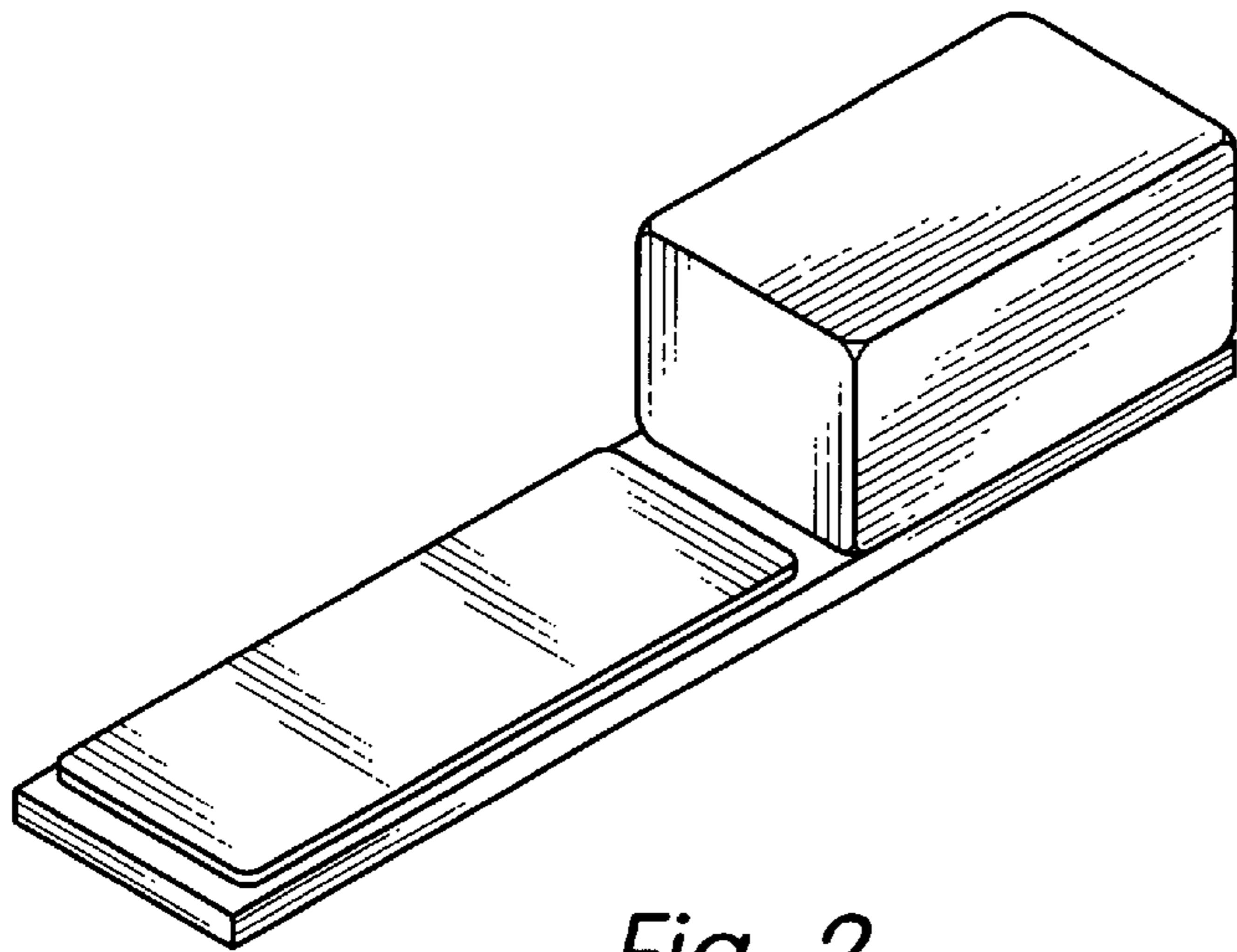


Fig. 2

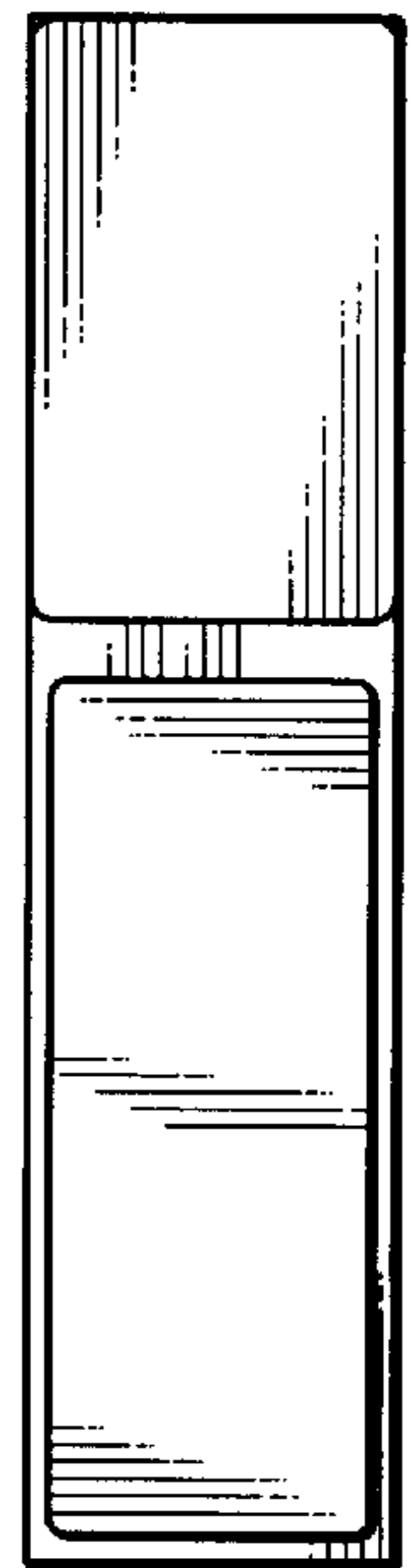


Fig. 3

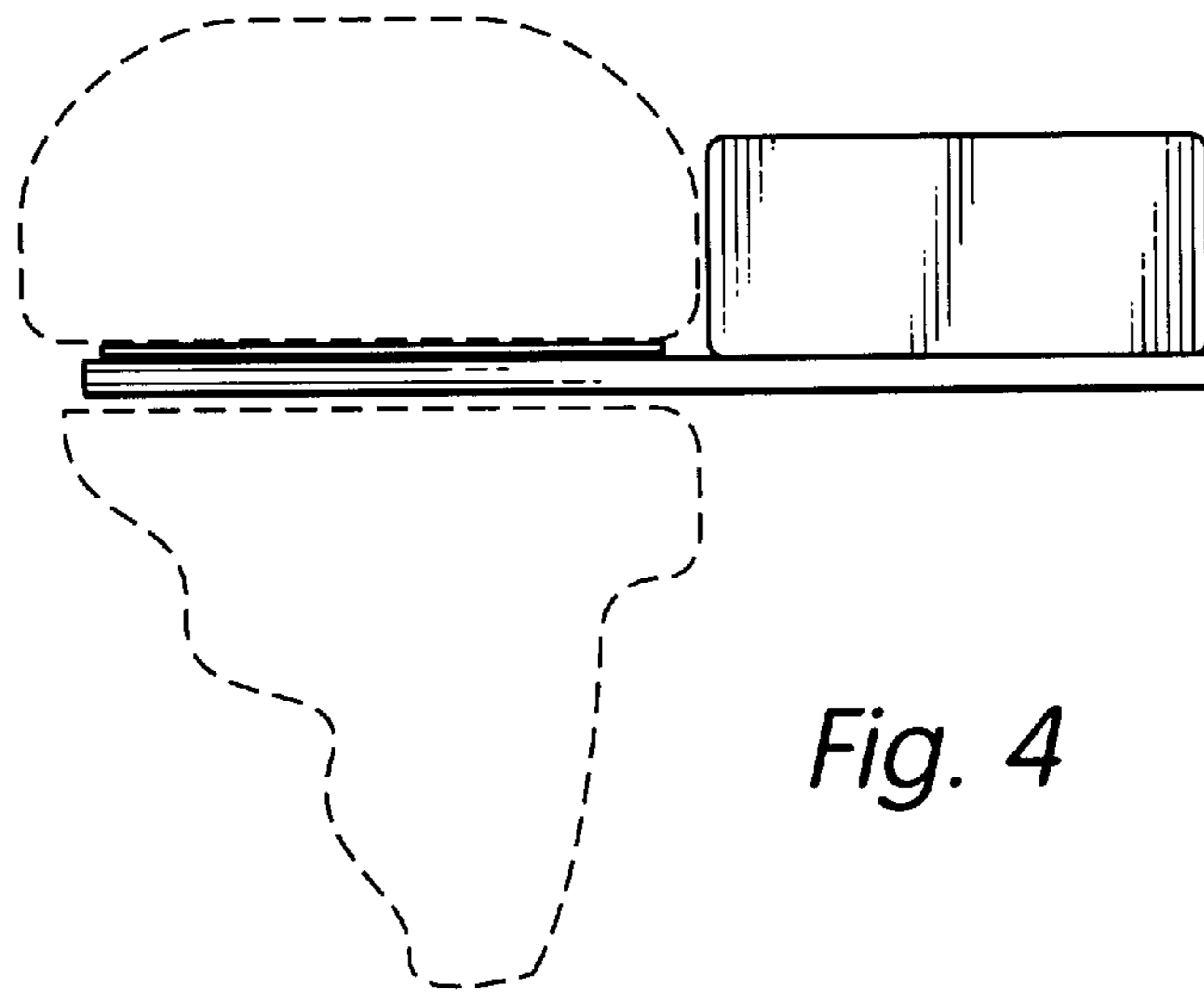


Fig. 4

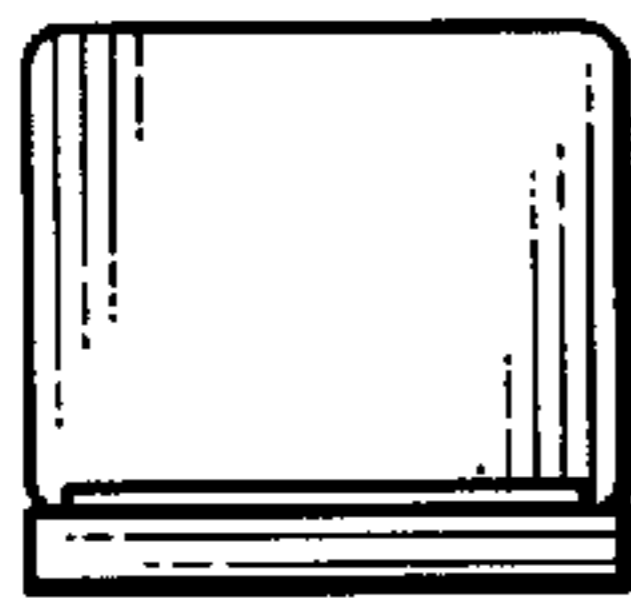


Fig. 5

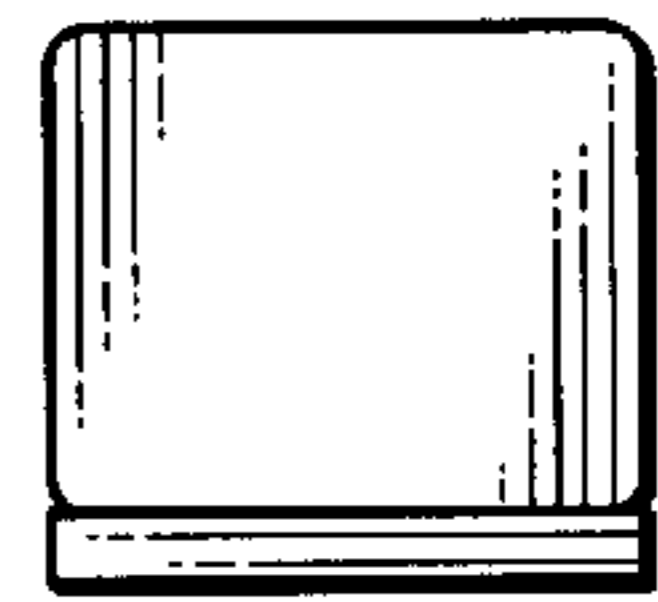


Fig. 6

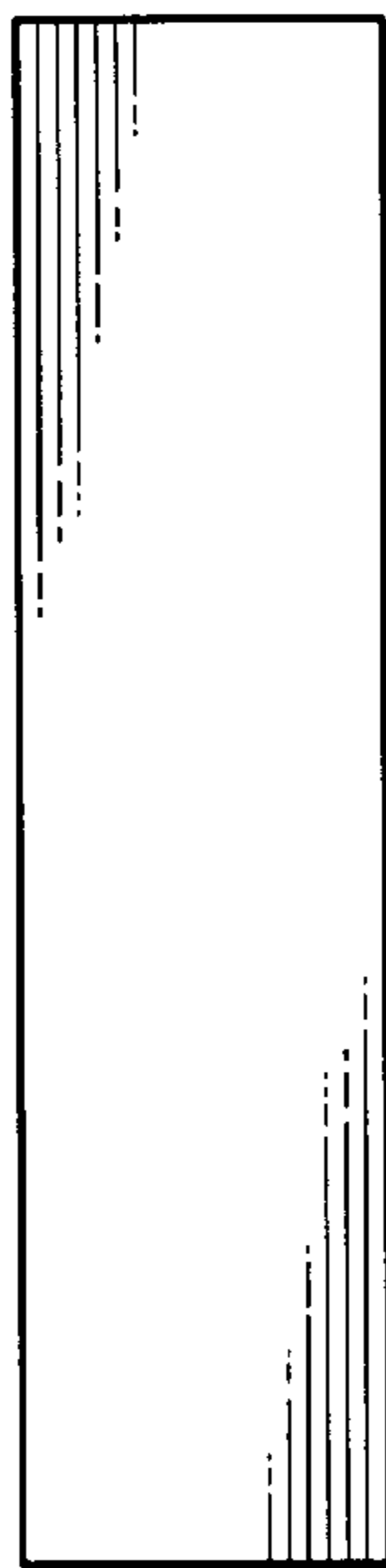


Fig. 7