



US00D417716S

**United States Patent** [19]  
**Warshawsky**

[11] **Patent Number: Des. 417,716**

[45] **Date of Patent: \*\* Dec. 14, 1999**

[54] **FLOOD SHOWERHEAD**

D. 342,564 12/1993 Jans ..... D23/213

[75] Inventor: **Jerome Warshawsky**, Hewlett Harbor, N.Y.

*Primary Examiner*—Robin V. Taylor  
*Attorney, Agent, or Firm*—Alfred M. Walker

[73] Assignee: **IW Industries Inc**, Melville, N.Y.

[57] **CLAIM**

[\*\*] Term: **14 Years**

The ornamental design for a flood showerhead, as shown and described.

[21] Appl. No.: **29/103,537**

**DESCRIPTION**

[22] Filed: **Apr. 15, 1999**

FIG. 1 is a perspective view of a flood showerhead, showing my new design;

[51] **LOC (6) Cl.** ..... **23-01**

FIG. 2 is a front elevational view thereof, the rear view being a mirror image thereof;

[52] **U.S. Cl.** ..... **D23/213**

FIG. 3 is a left side elevational view thereof, the right side being a mirror image thereof;

[58] **Field of Search** ..... D23/213, 214, D23/228–229; 239/536, 548

FIG. 4 is a top plan view thereof; and,

[56] **References Cited**

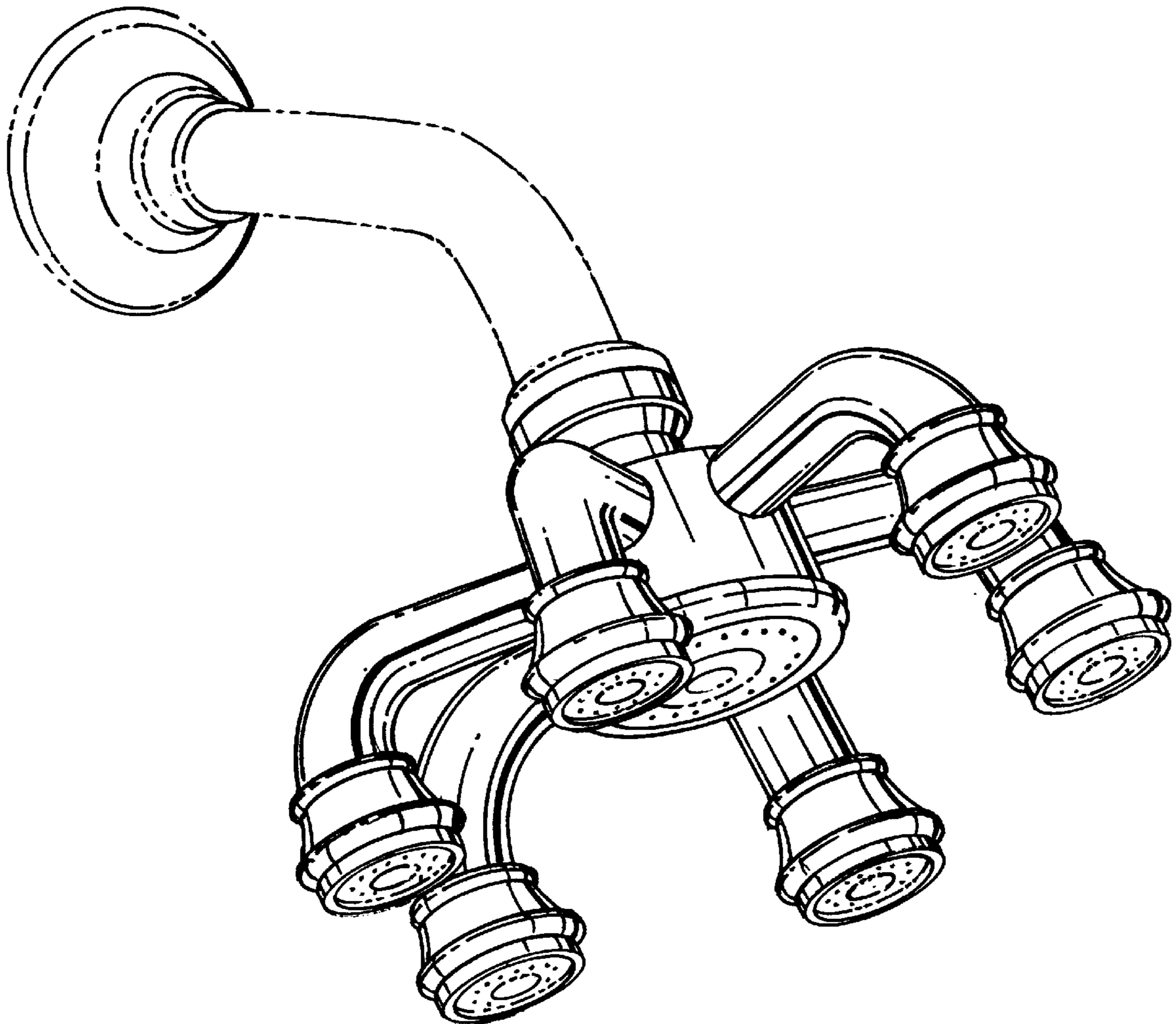
FIG. 5 is a bottom view thereof.

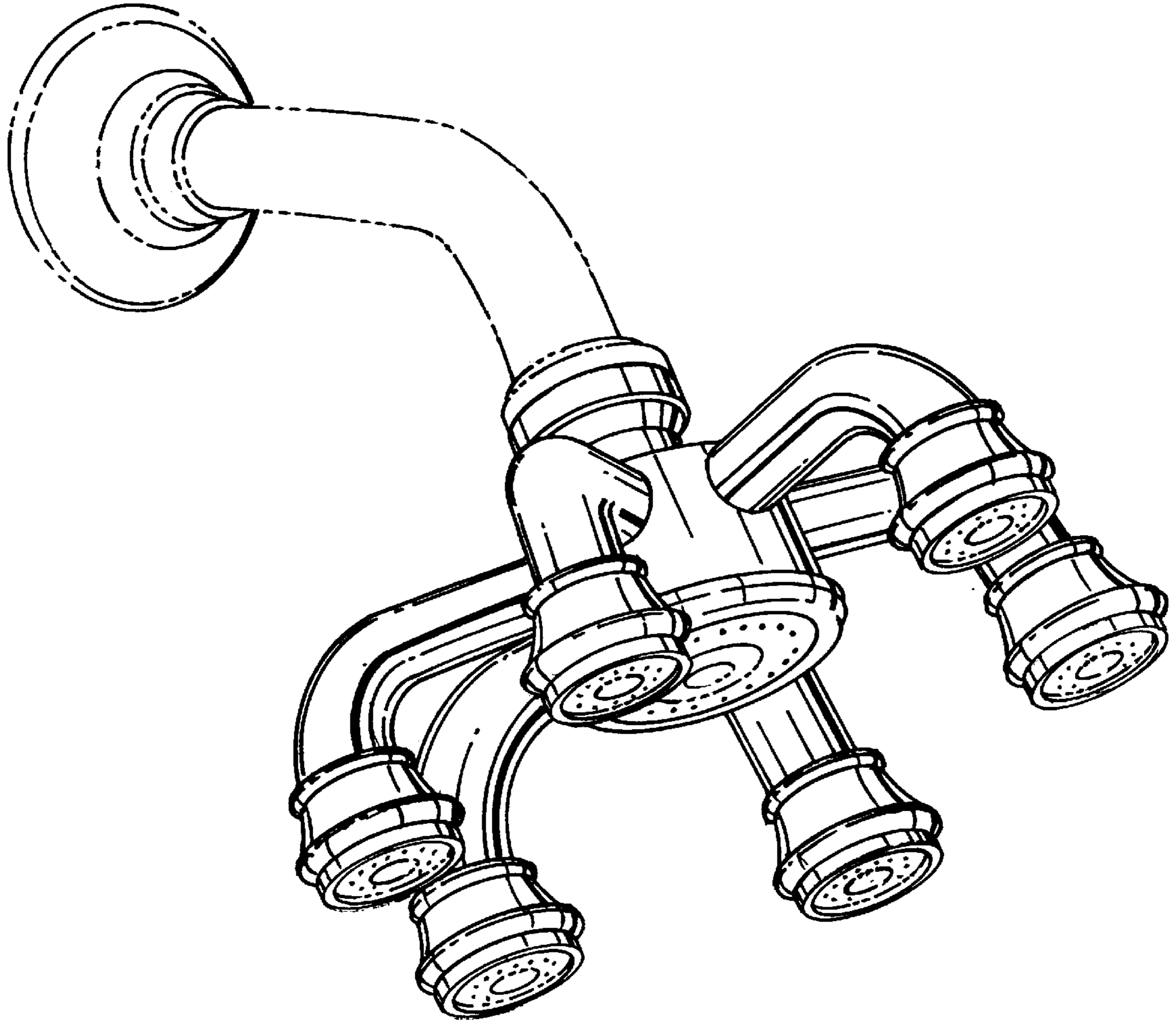
**U.S. PATENT DOCUMENTS**

The broken line showing in FIGS. 1–3 is for illustrative purposes only and forms no part of the claimed design.

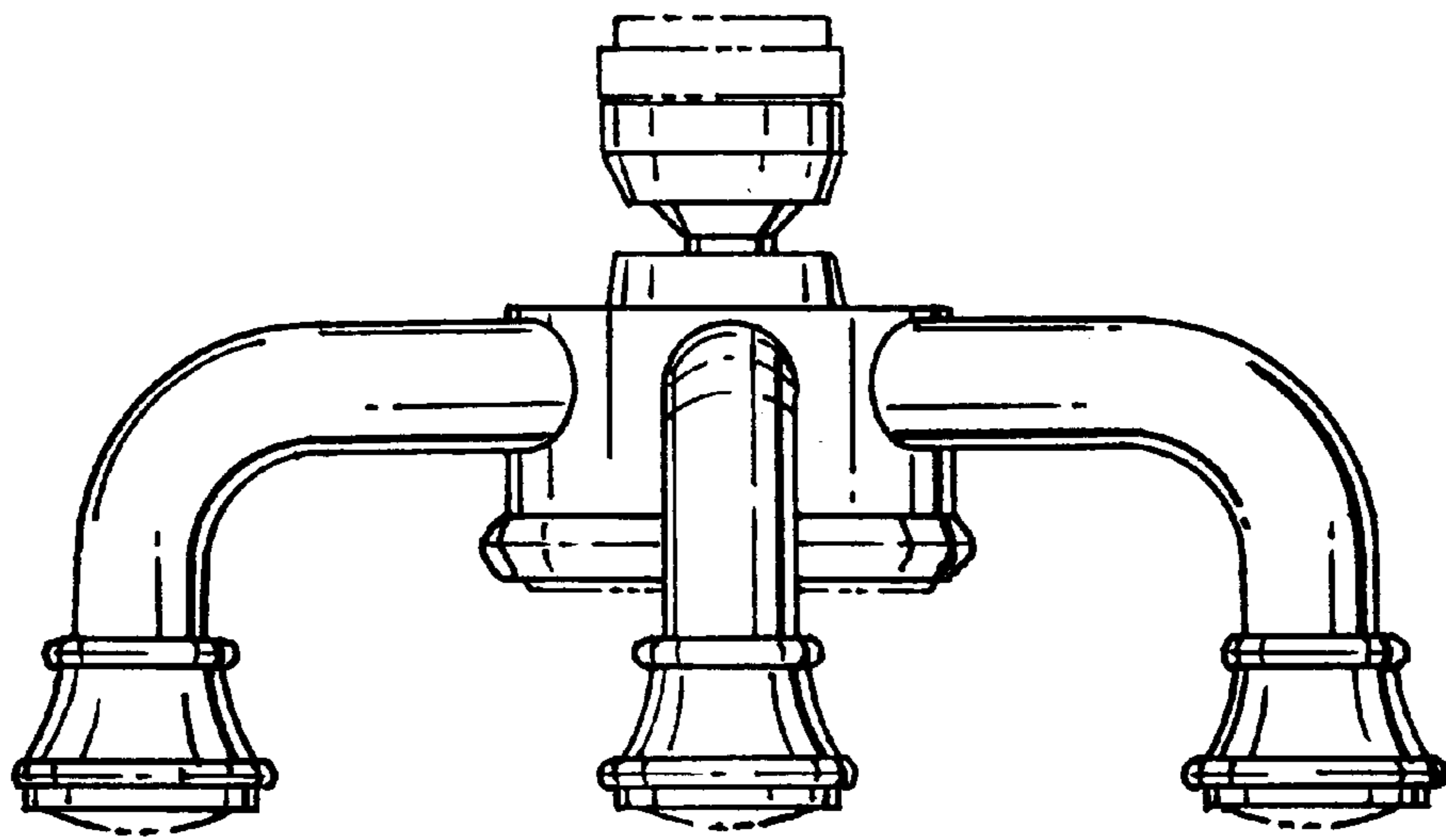
- D. 310,860 9/1990 Delepine ..... D23/213
- D. 313,063 12/1990 Sroubek ..... D23/213
- D. 329,276 9/1992 Blake ..... D23/213

**1 Claim, 3 Drawing Sheets**

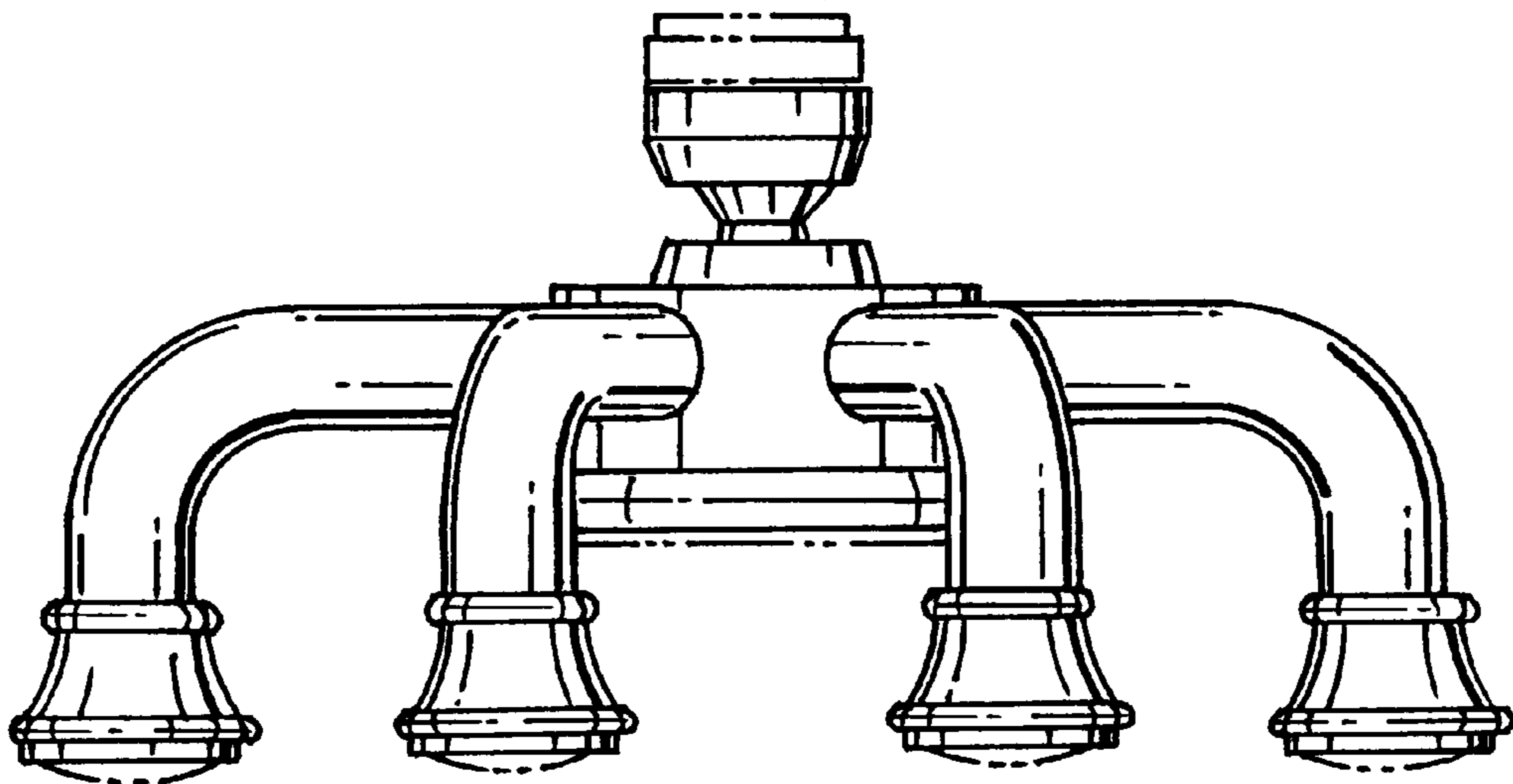




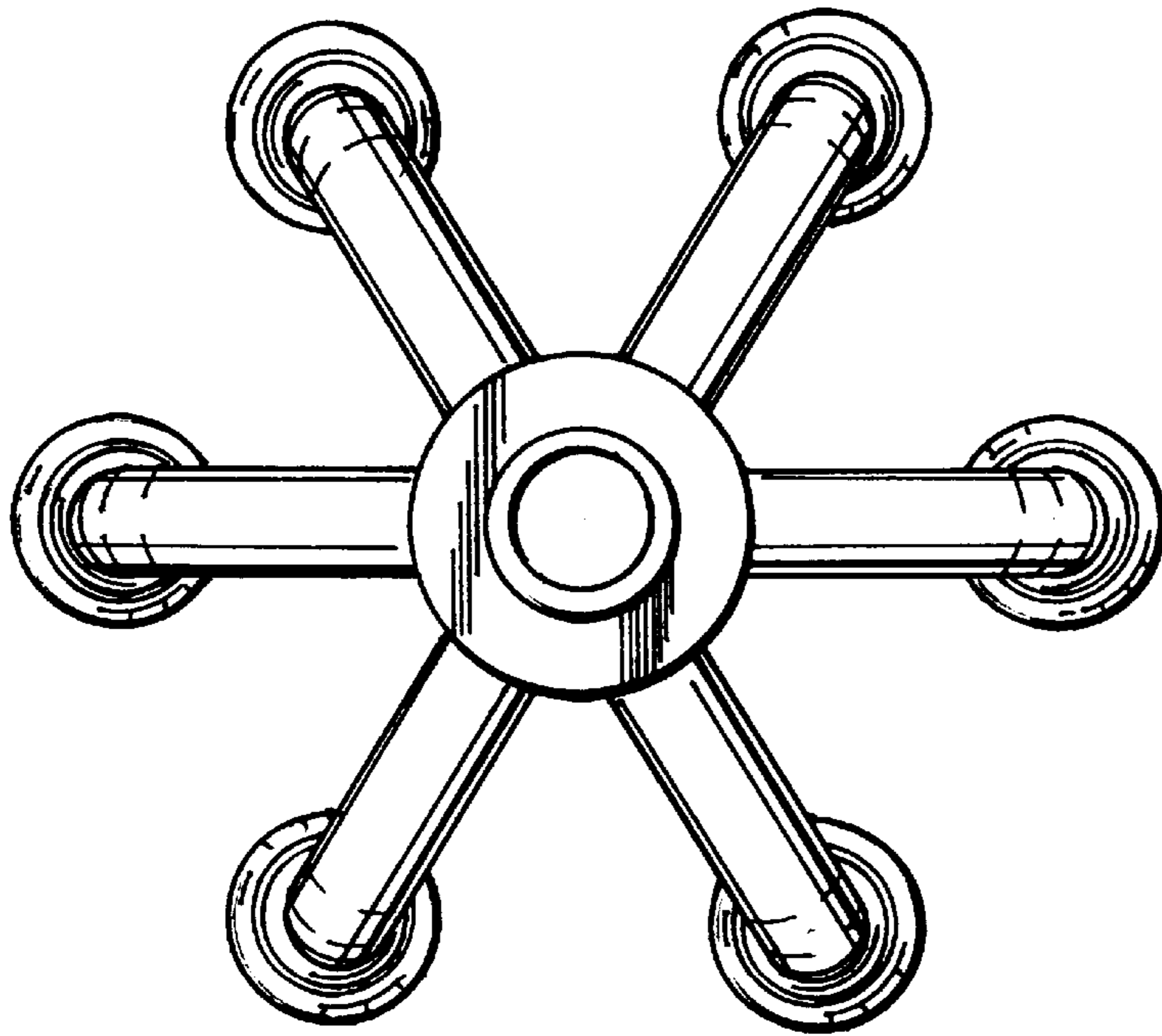
**Fig. 1**



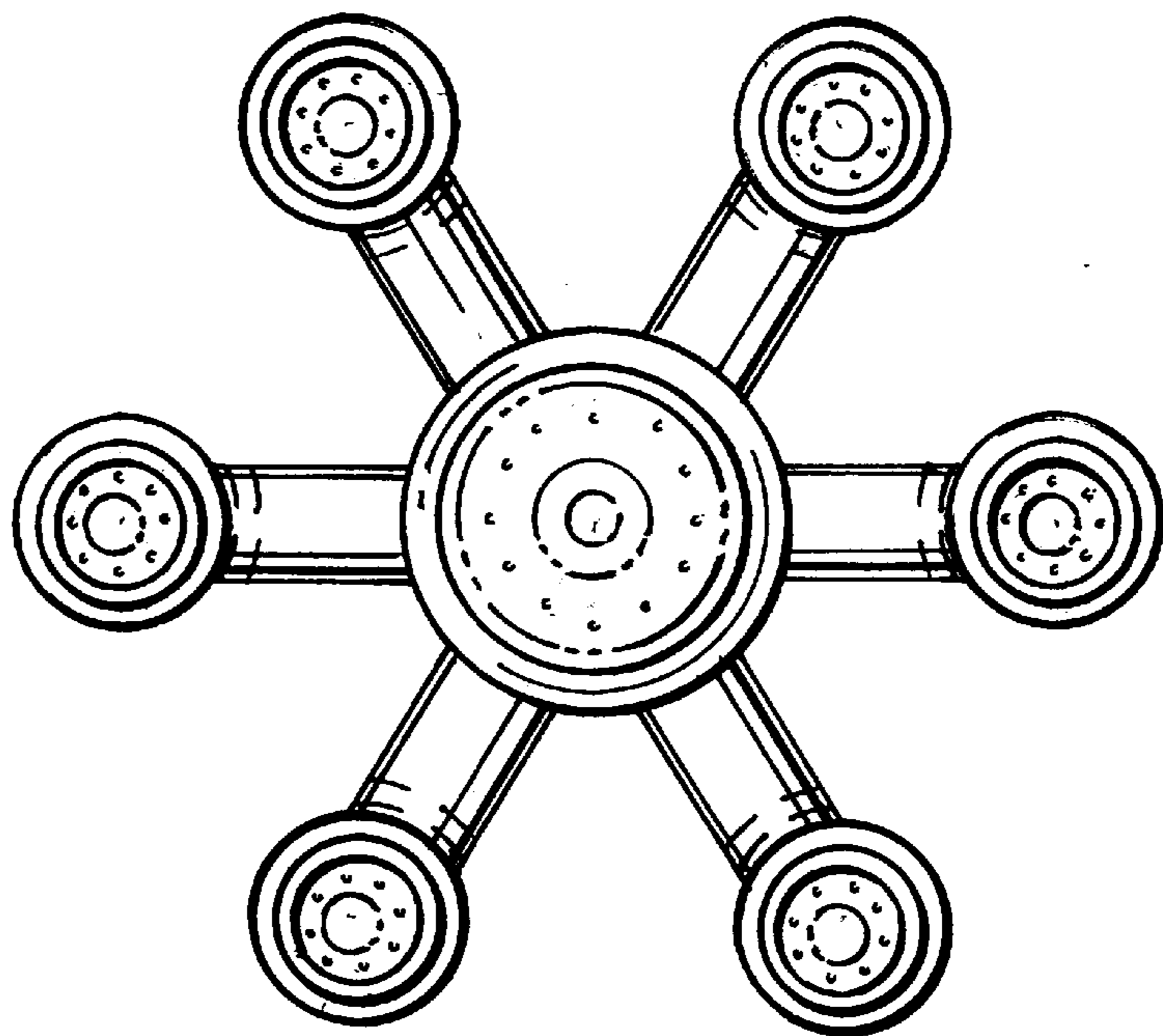
***Fig. 2***



***Fig. 3***



**Fig. 4**



**Fig. 5**