



US00D417712S

United States Patent [19]

Antonious

[11] **Patent Number: Des. 417,712**

[45] **Date of Patent: **Apr. 20, 1999**

[54] **STRIKING FACE OF AN IRON TYPE GOLF CLUB HEAD**

D. 335,694	5/1993	Stuff	D21/744
780,776	1/1905	Brown	473/327
1,854,548	4/1932	Hunt	473/329
4,869,508	9/1989	Miller	473/328

[76] Inventor: **Anthony J. Antonious**, 7738 Calle Facil, Sarasota, Fla. 34238

[**] Term: **14 Years**

Primary Examiner—Mitchell I Siegel
Attorney, Agent, or Firm—Aquilino & Welsh

[21] Appl. No.: **29/076,183**

[57] **CLAIM**

[22] Filed: **Sep. 8, 1997**

The ornamental design for a striking face of an iron type golf club head, as shown and described.

[51] **LOC (6) Cl.** **21-02**

DESCRIPTION

[52] **U.S. Cl.** **D21/753**

[58] **Field of Search** D21/747-753;
473/324, 327, 328, 329, 330, 350

FIG. 1 is a front elevational view of a striking face of an iron type golf club head showing my new design; FIG. 2 is a front perspective view thereof; and, FIG. 3 is a top view thereof.

[56] **References Cited**

The broken lines showing a golf club head are for illustrative purposes only and form no part of the claimed design.

U.S. PATENT DOCUMENTS

D. 266,687	10/1982	Simmons	D21/749
D. 303,415	9/1989	Chorne	D21/751
D. 303,699	9/1989	Chorne	D21/750

1 Claim, 1 Drawing Sheet

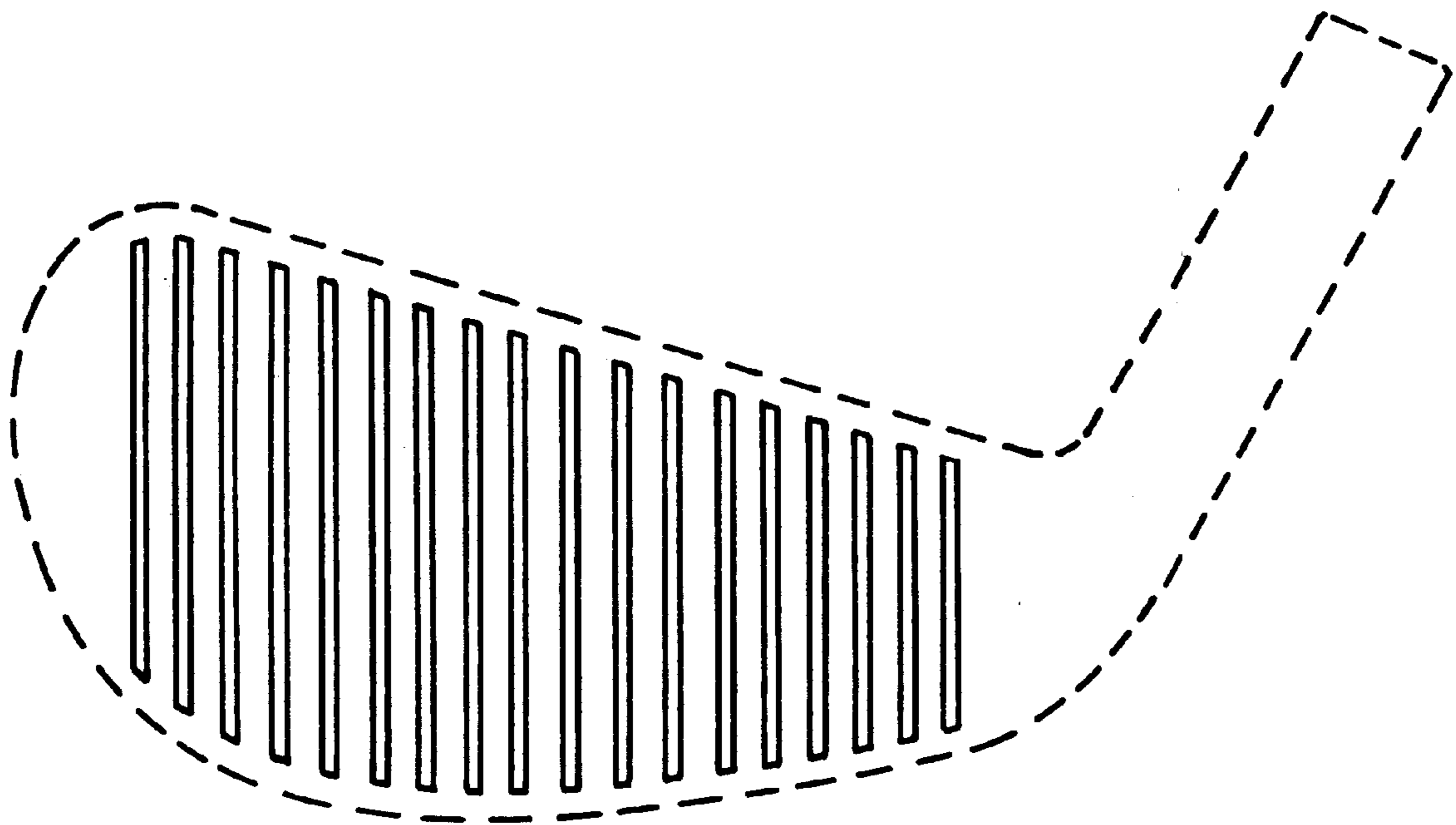


FIG. 1

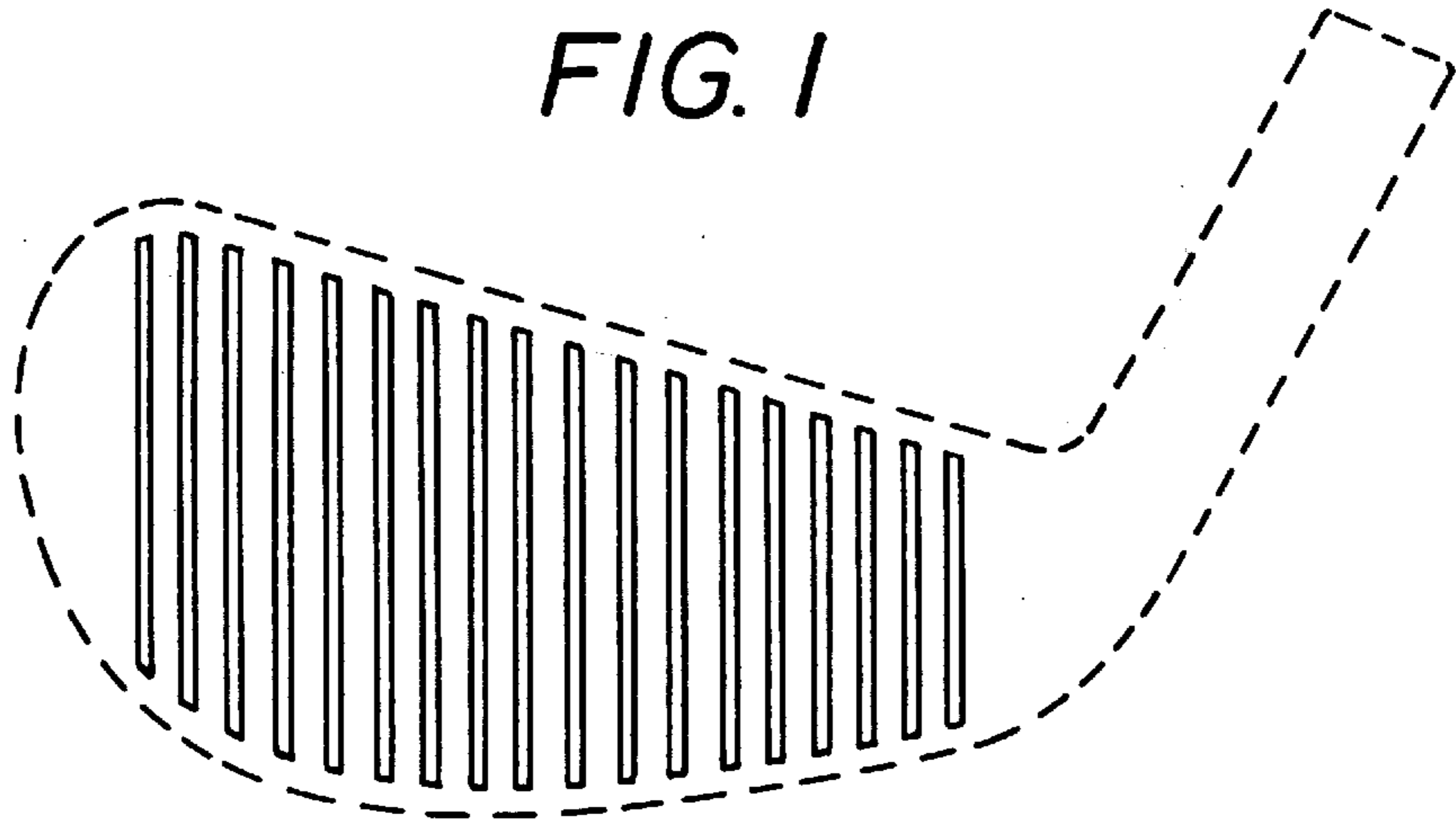


FIG. 2

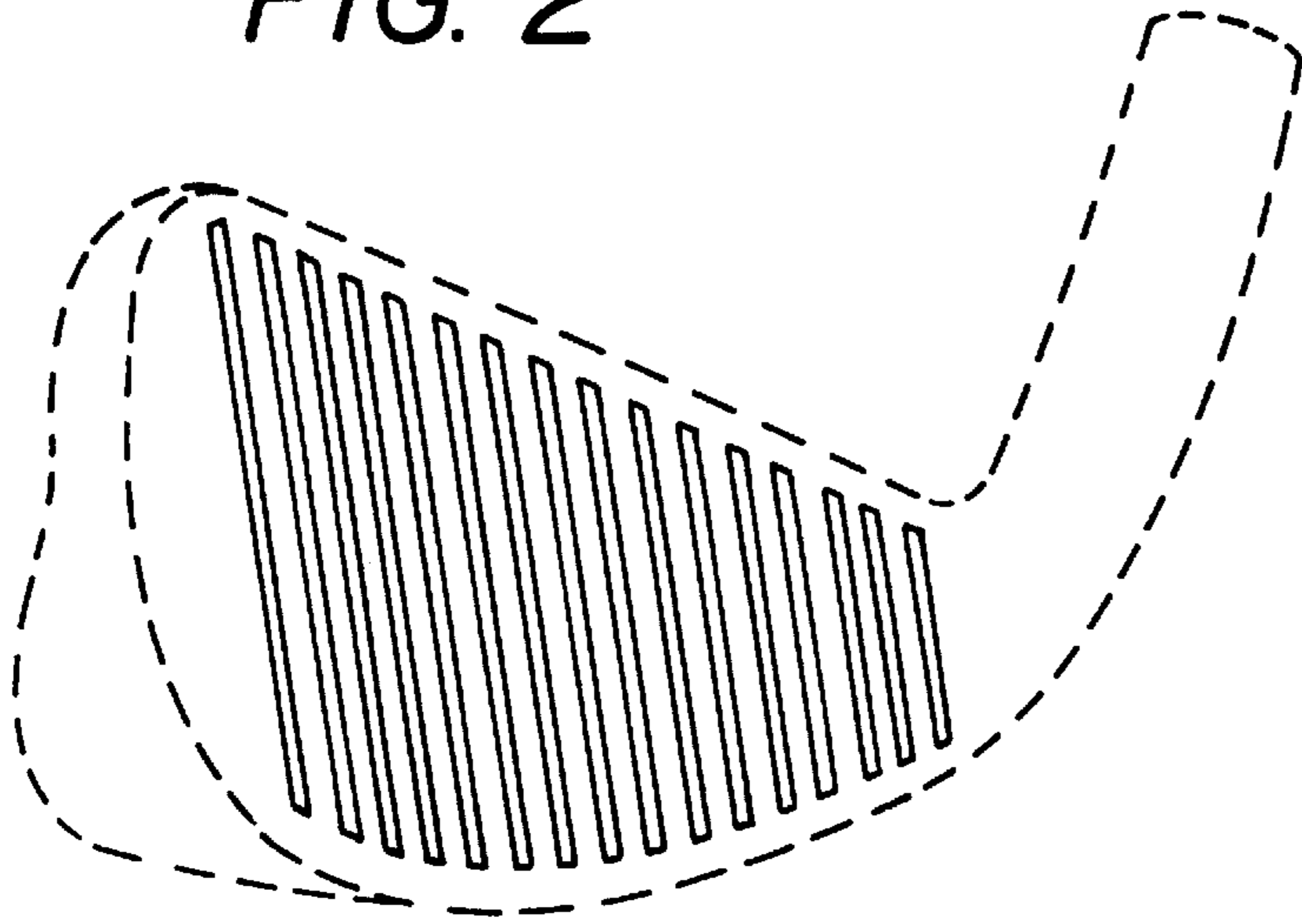


FIG. 3

