



US00D417711S

United States Patent [19] Sery

[11] **Patent Number: Des. 417,711**

[45] **Date of Patent: ** Dec. 14, 1999**

[54] **GOLF PUTTER HEAD**

[75] Inventor: **Joseph Sery**, San Diego, Calif.

[73] Assignee: **Carbite, Inc.**, San Diego, Calif.

[**] Term: **14 Years**

[21] Appl. No.: **29/091,811**

[22] Filed: **Aug. 6, 1998**

[51] **LOC (6) Cl.** **21-02**

[52] **U.S. Cl.** **D21/744**

[58] **Field of Search** D21/736-746;
473/340, 341, 324, 327, 328, 251-256

D. 355,462	2/1995	Wyatt	D21/219
D. 363,518	10/1995	Green et al.	D21/219
D. 368,751	4/1996	Rife	D21/219
D. 381,383	7/1997	Brett	D21/744
D. 388,143	12/1997	Huan-Chiang	D21/219
D. 398,353	9/1998	Wooten	D21/743
4,655,459	4/1987	Antonious	.	
5,683,307	11/1997	Rife	.	

Primary Examiner—Mitchell I Siegel
Attorney, Agent, or Firm—John L. Gray; Kegler, Brown, Hill & Ritter

[57] **CLAIM**

The ornamental design for a golf putter head, as shown and described.

[56] **References Cited**

U.S. PATENT DOCUMENTS

D. 163,083	5/1951	Belline et al.	D34/5
D. 232,316	8/1974	Cook	.	
D. 248,783	8/1978	Long	D21/741
D. 256,262	8/1980	Benson	.	
D. 303,276	9/1989	Oakleaf	D21/219
D. 306,334	2/1990	Alcala	D21/219
D. 333,331	2/1993	Evans	D21/219
D. 335,317	5/1993	Shearer	D21/219
D. 340,494	10/1993	Werner et al.	D21/217
D. 341,405	11/1993	Solheim	D21/219
D. 344,564	2/1994	Oakleaf	D21/219

DESCRIPTION

FIG. 1 is a perspective view of the design.
FIG. 2 is a side elevation view thereof.
FIG. 3 is a top plan view thereof.
FIG. 4 is an end elevation view thereof.
FIG. 5 is an opposite end elevation view thereof.
FIG. 6 is an opposite side elevation view thereof; and,
FIG. 7 is a bottom plan view thereof.
The broken line showing of a fragmented shaft is for illustrated purposes only and forms no part of the claimed design.

1 Claim, 2 Drawing Sheets

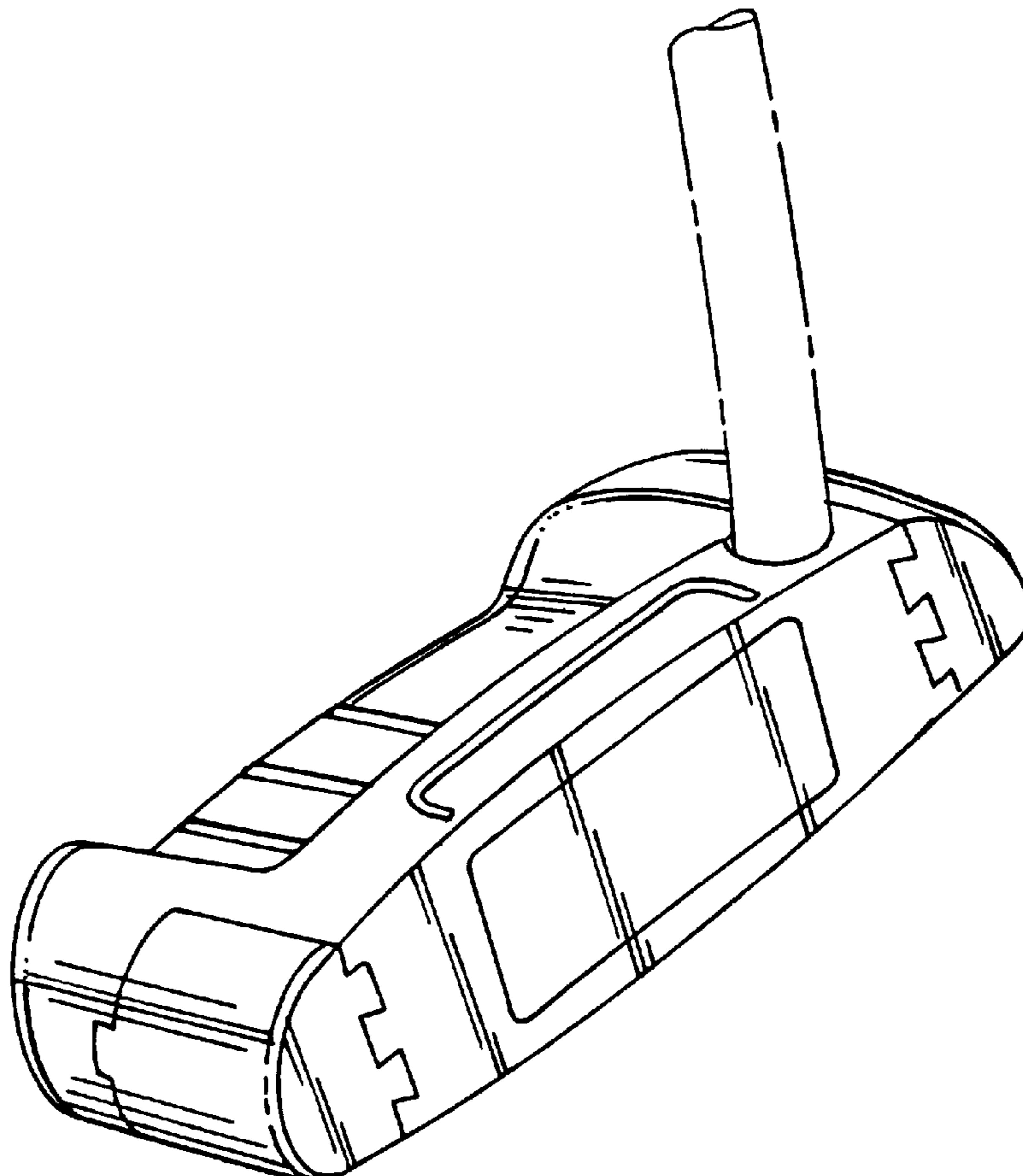


Fig. 1

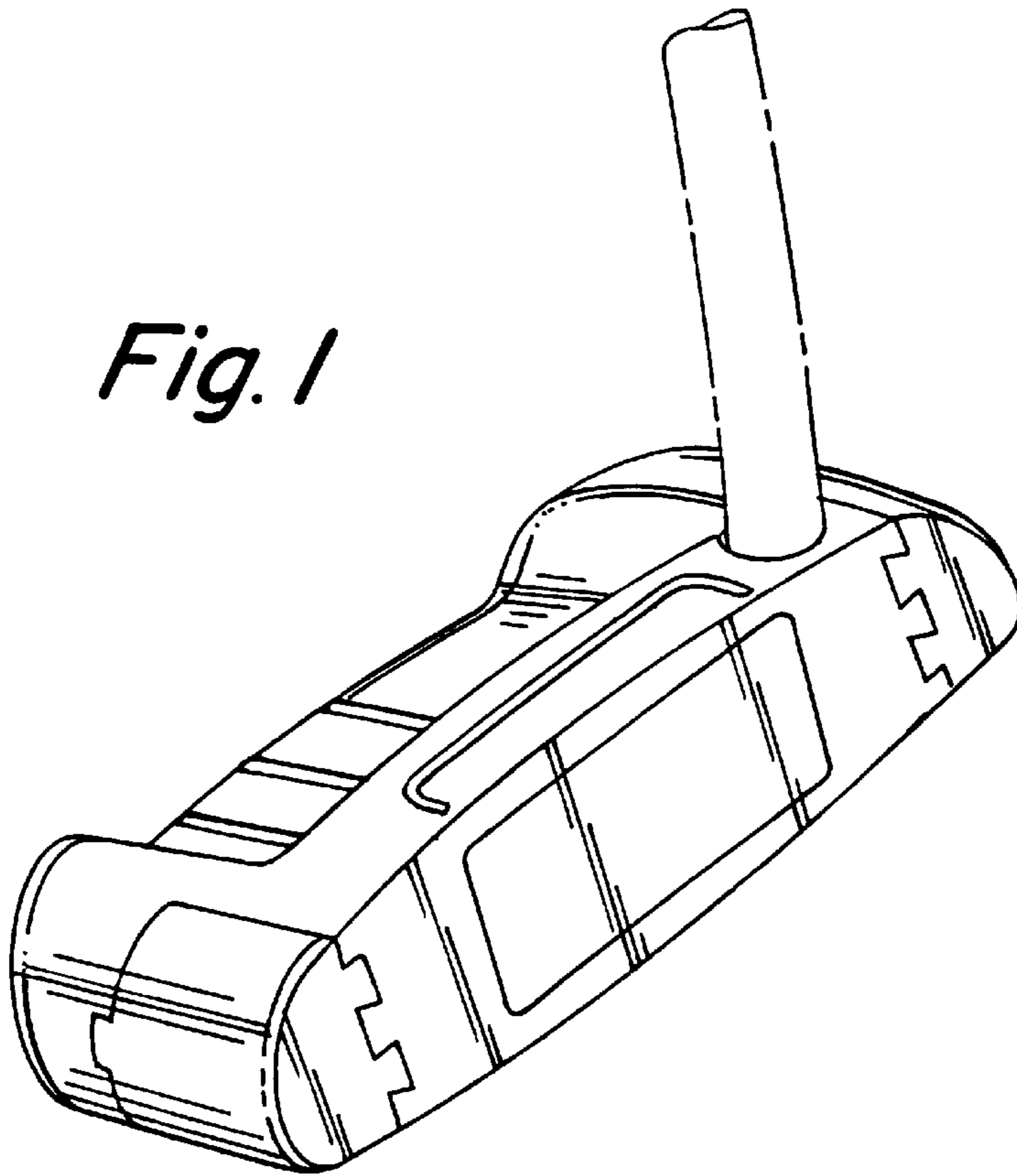


Fig. 2

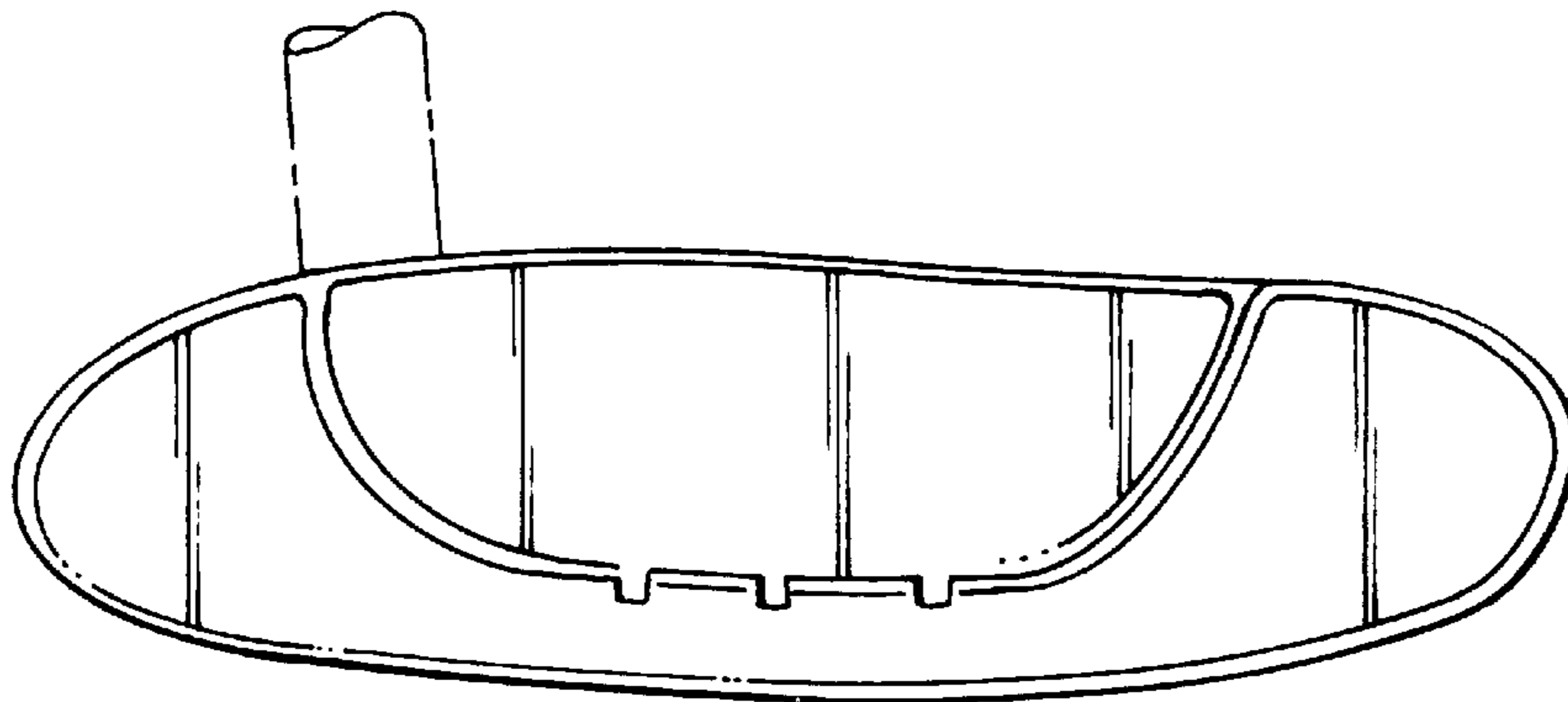
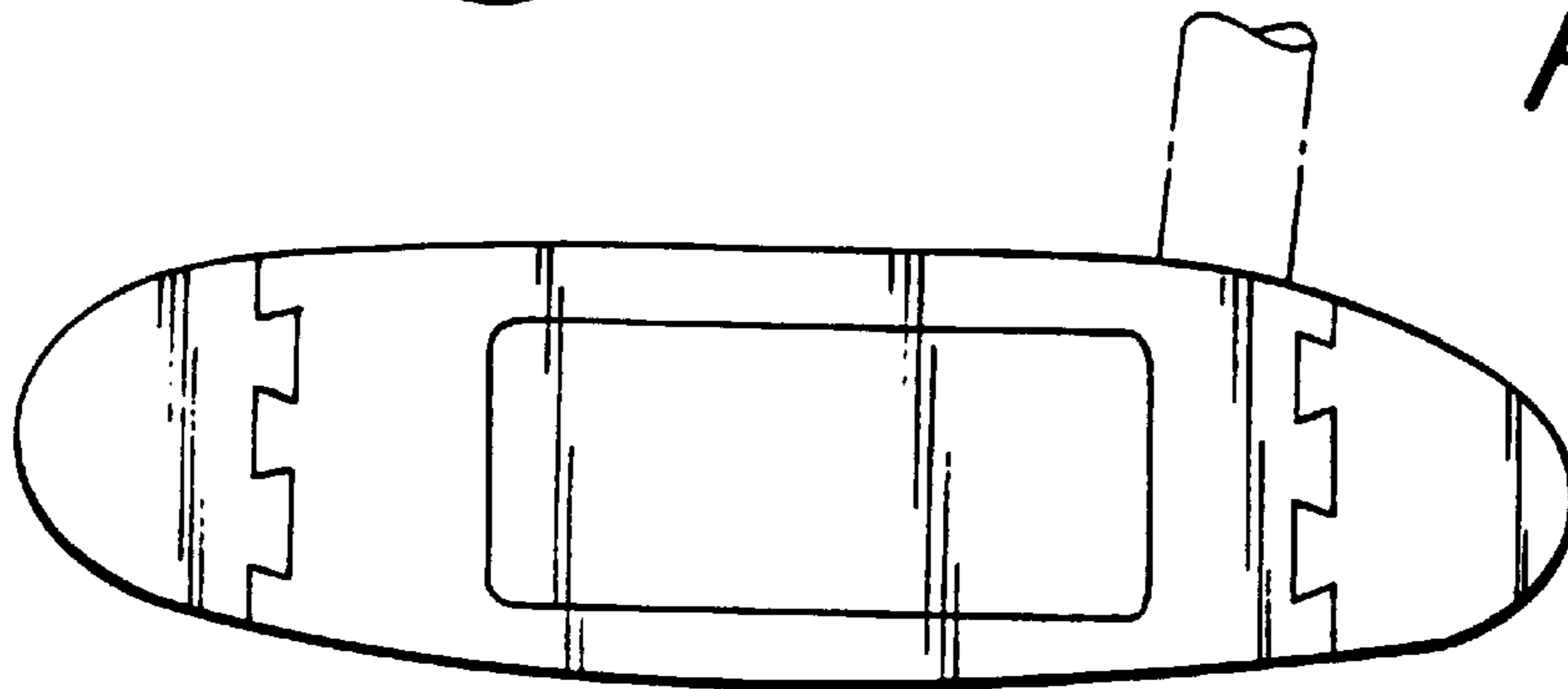


Fig. 6

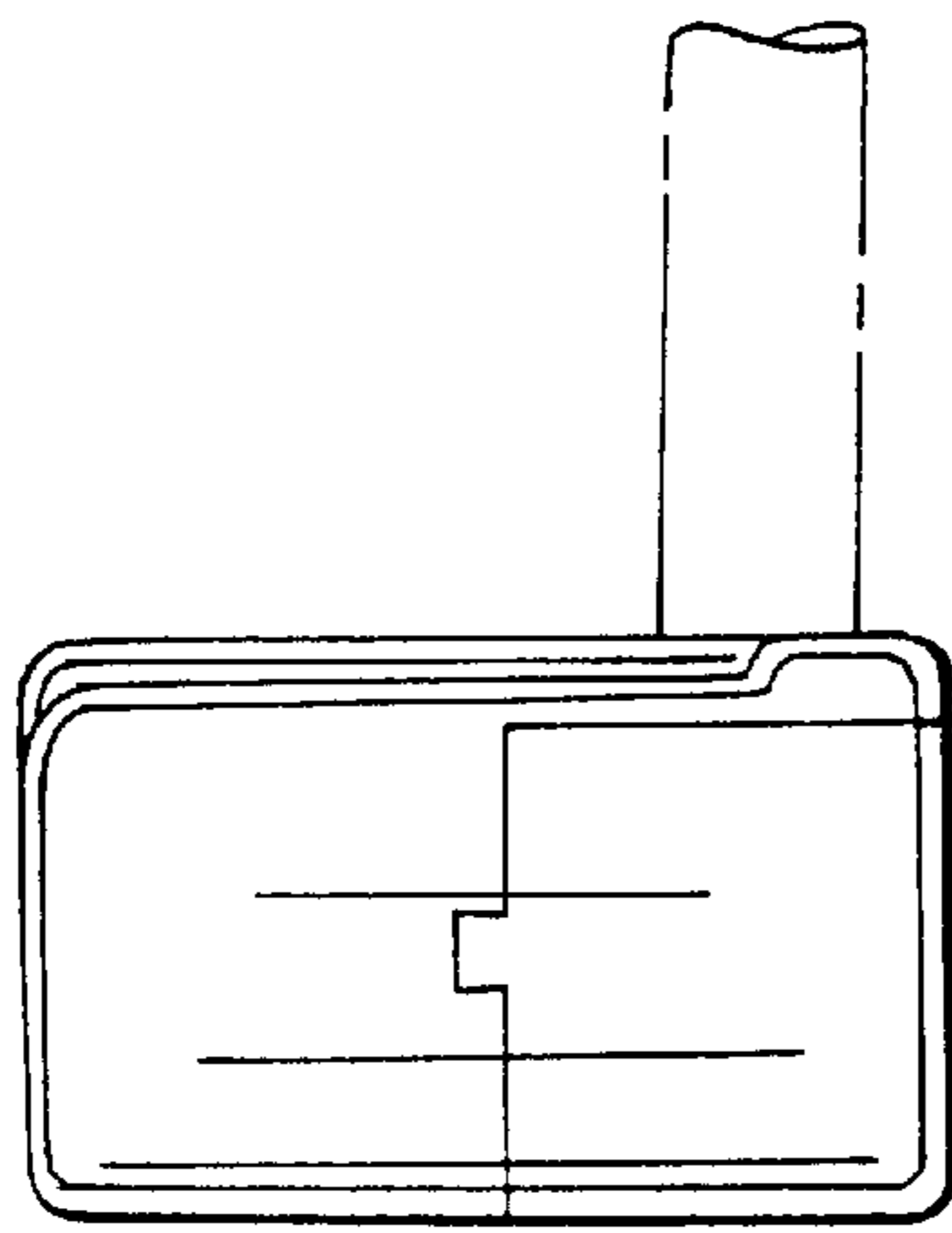


Fig. 4

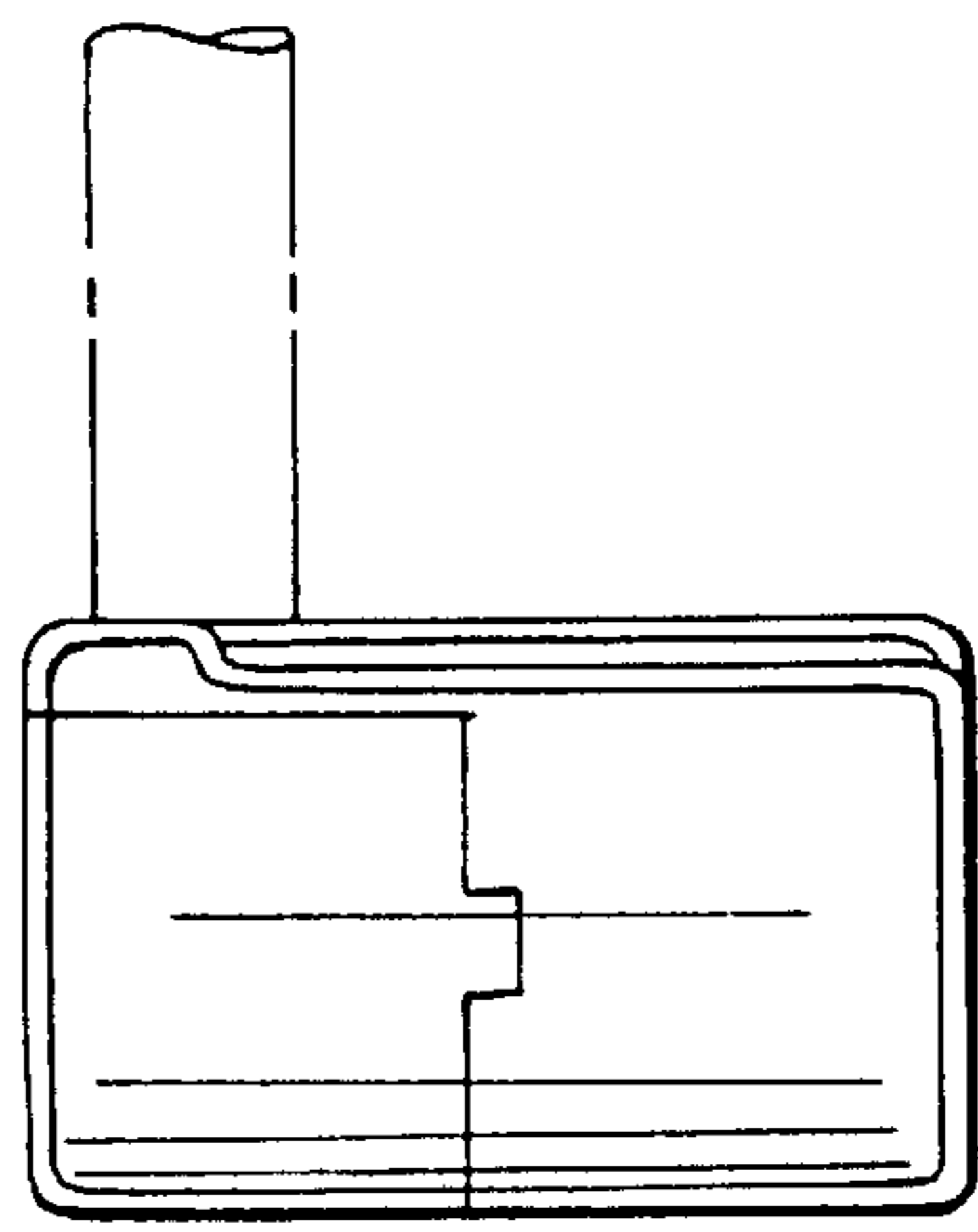


Fig. 5

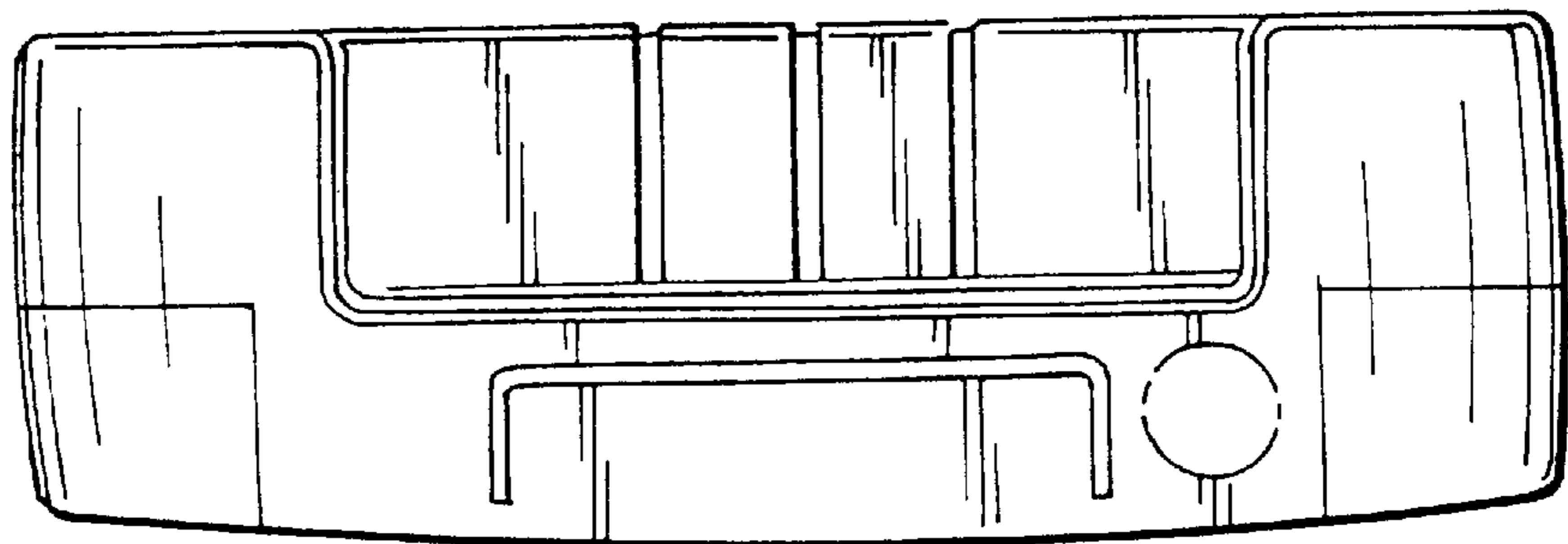


Fig. 3

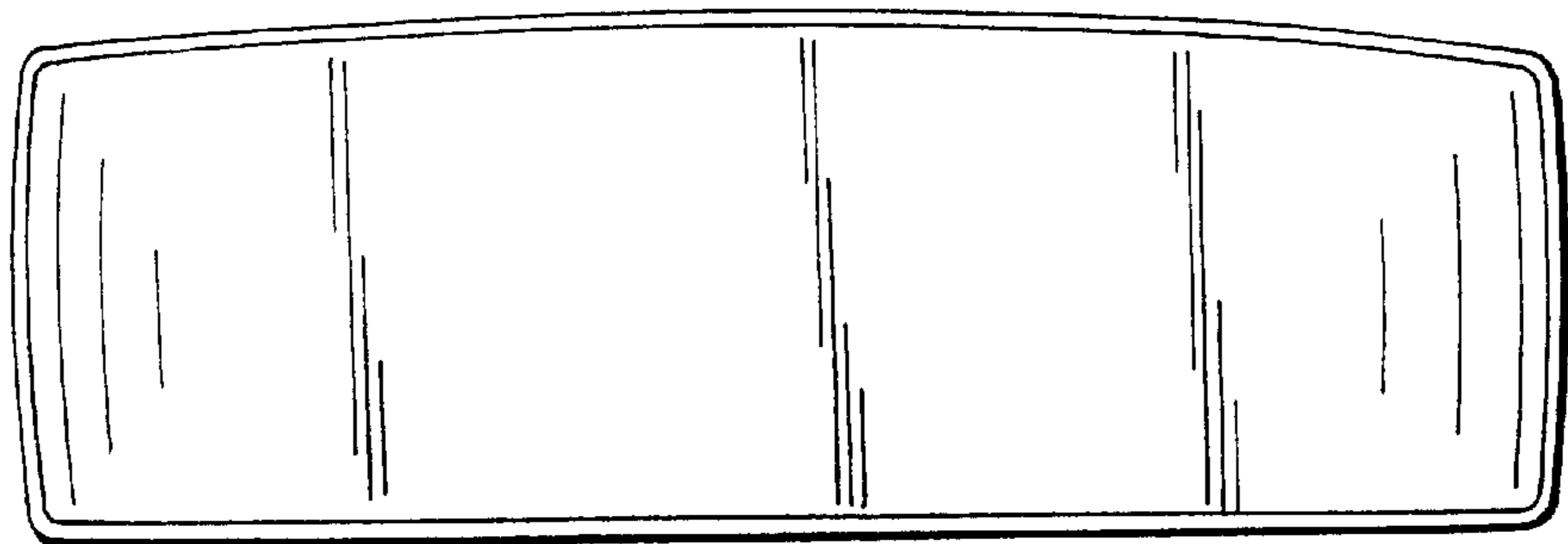


Fig. 7