



US00D417709S

United States Patent [19]
Grantonic

[11] **Patent Number: Des. 417,709**

[45] **Date of Patent: ** Dec. 14, 1999**

[54] **STRETCHING DEVICE**

[76] Inventor: **John Grantonic**, 2053 Walker Mill,
Poland, Ohio 44514

[**] Term: **14 Years**

[21] Appl. No.: **29/079,629**

[22] Filed: **Dec. 8, 1997**

[51] **LOC (6) Cl.** **21-02**

[52] **U.S. Cl.** **D21/692; D21/662**

[58] **Field of Search** D21/662, 684,
D21/692; 482/121, 122, 123, 124, 125,
126, 127, 91, 92, 148

[56] **References Cited**

U.S. PATENT DOCUMENTS

D. 232,368	8/1974	Shales	D21/692
D. 263,613	3/1982	Henry	D21/692
D. 270,262	8/1983	Rembe	D21/692
D. 389,615	1/1998	Leslie	D8/107

D. 398,677	9/1998	Kysilka	D21/684
2,118,114	5/1938	Schenk	482/122
5,569,136	10/1996	Holten	482/122

Primary Examiner—Philip S. Hyder
Attorney, Agent, or Firm—Harpman & Harpman

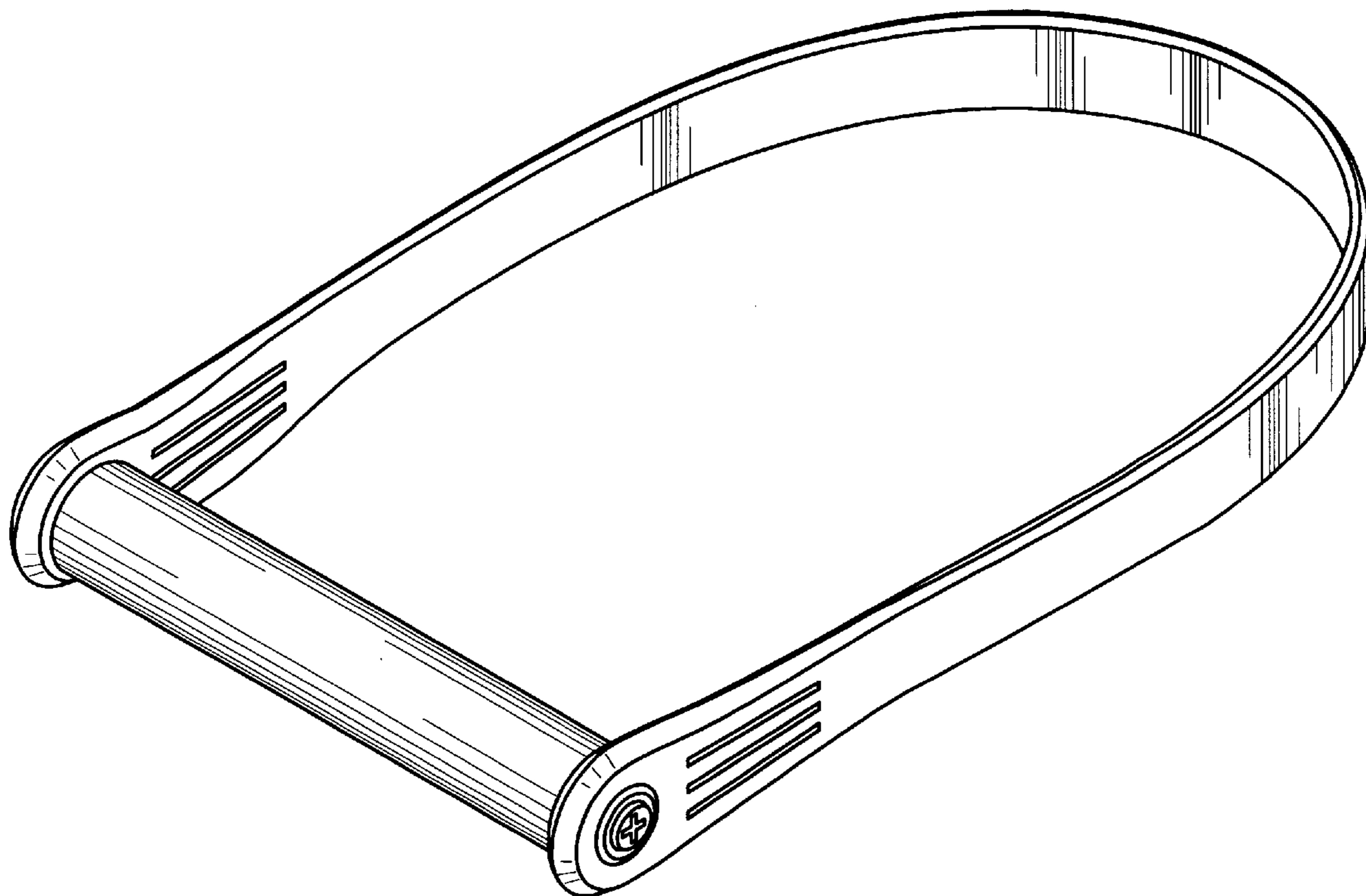
[57] **CLAIM**

The ornamental design for a stretching device, as shown and described.

DESCRIPTION

FIG. 1 is a front, right side and top perspective view of the stretching device;
FIG. 2 is a left side elevational view thereof, the right side elevation is the same;
FIG. 3 is a front elevational view thereof;
FIG. 4 is a rear elevational view thereof; and,
FIG. 5 is a top plan view thereof, the bottom plan view is the same.

1 Claim, 3 Drawing Sheets



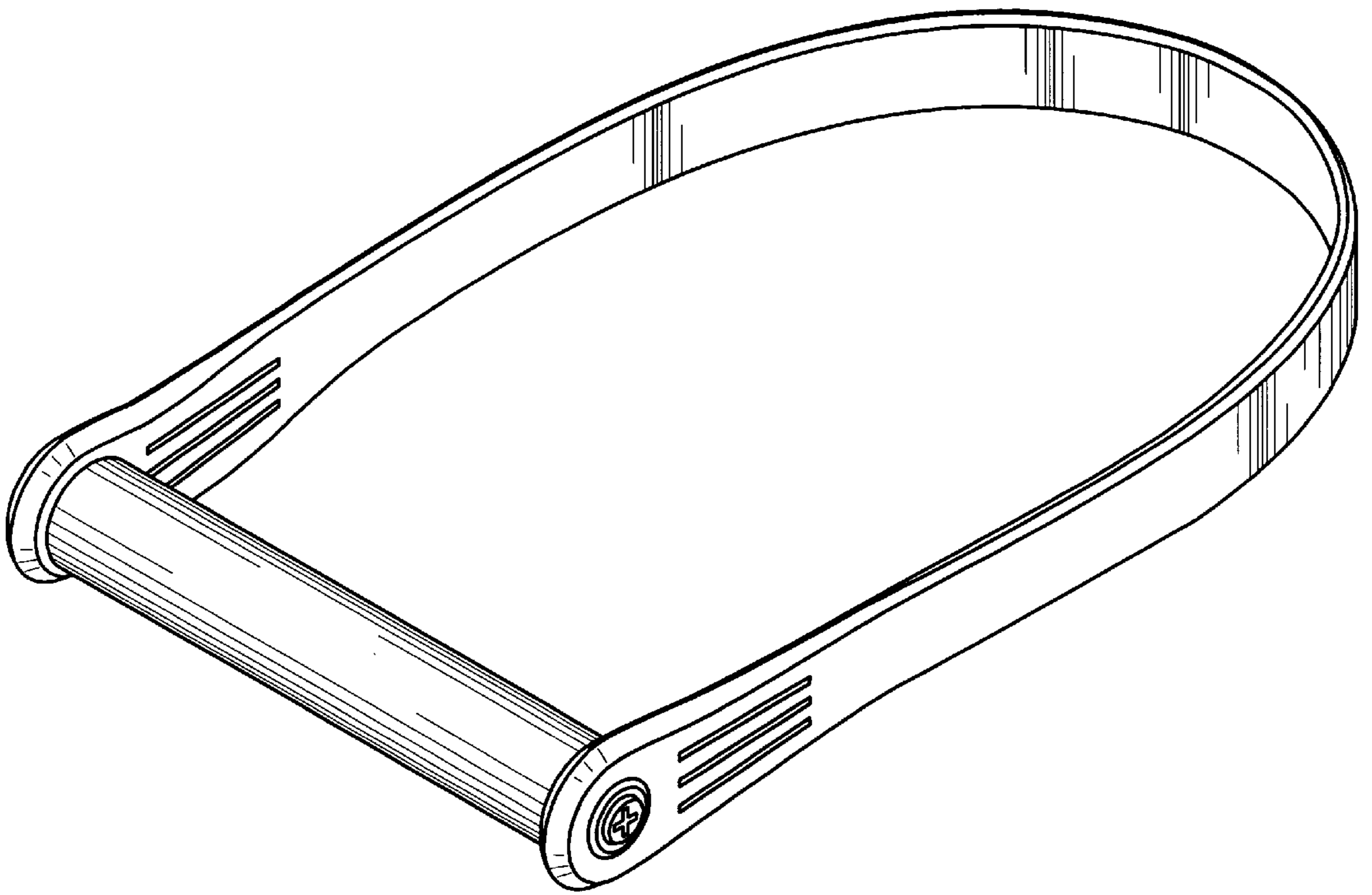


Fig. 1

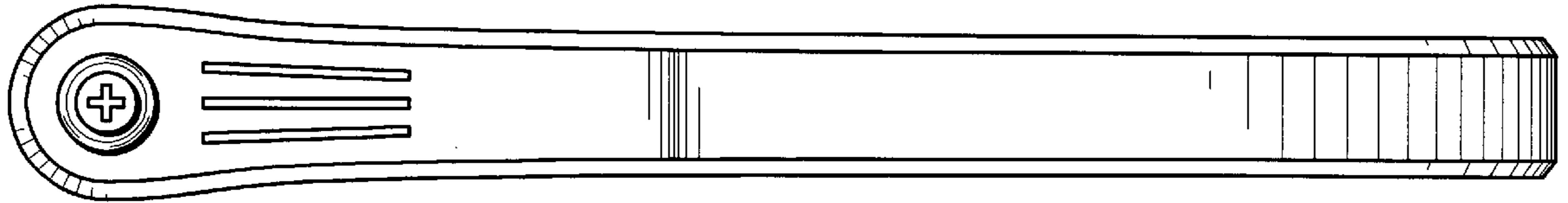


Fig. 2

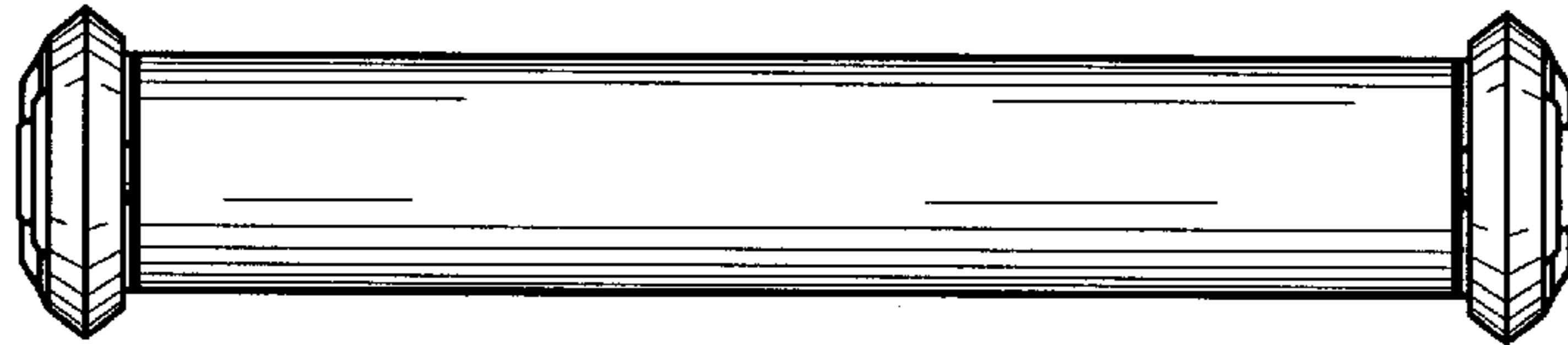


Fig. 3

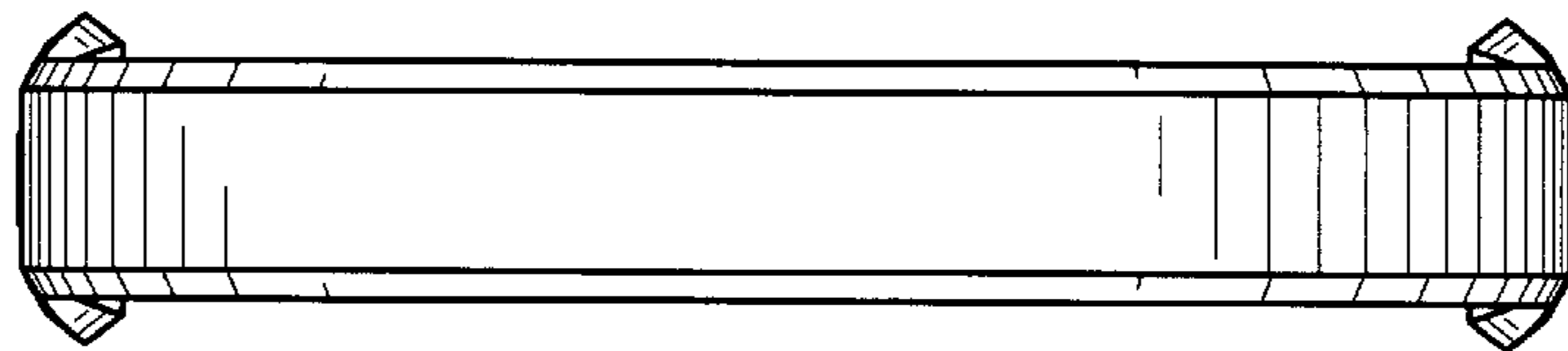


Fig. 4

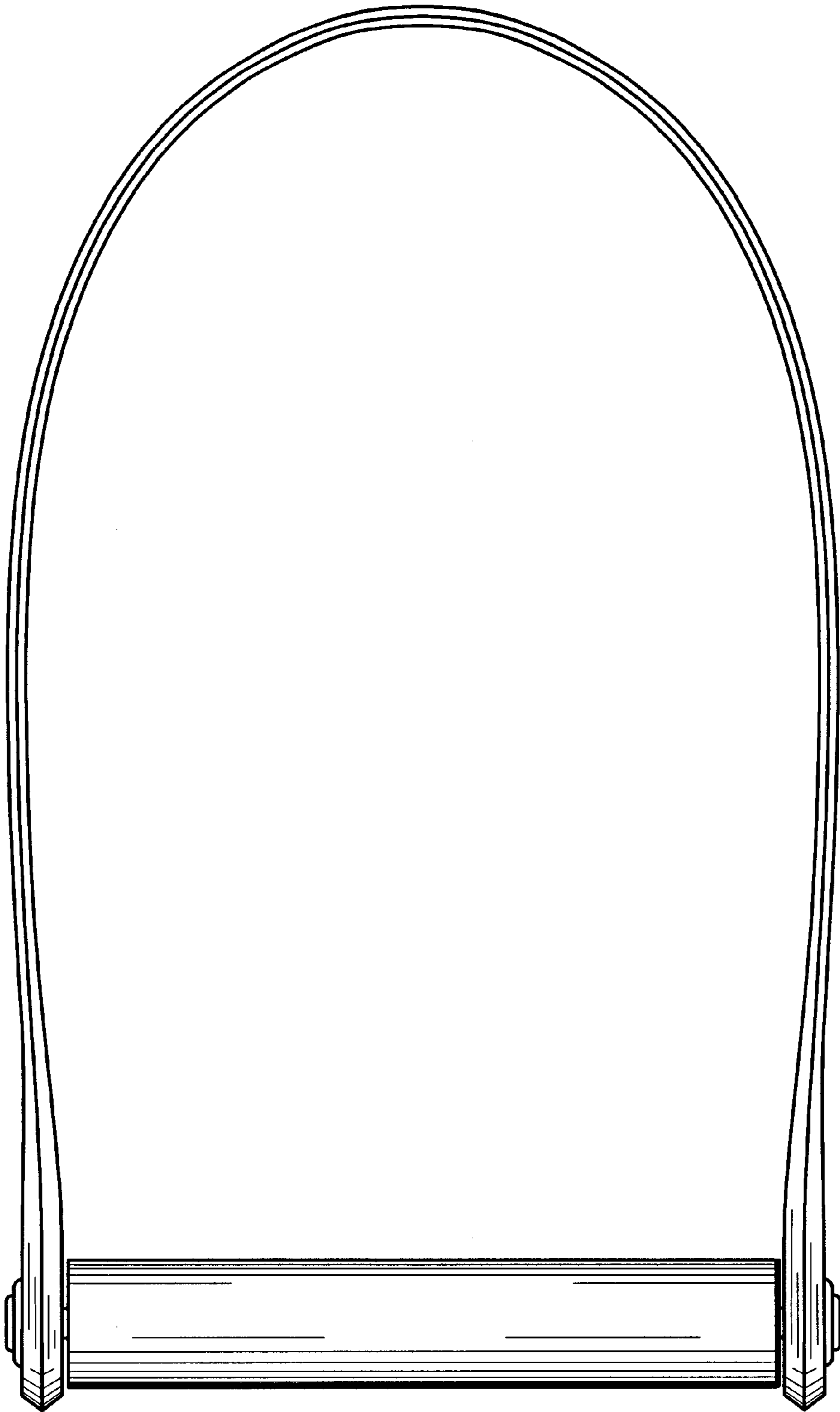


Fig. 5