



US00D417705S

# United States Patent [19] Rudy

[11] Patent Number: Des. 417,705

[45] Date of Patent: \*\* Dec. 14, 1999

[54] TOY-BLOCK WITH SIDEWALL RAIL GUIDE MEANS

[75] Inventor: Eric A. Rudy, Philadelphia, Pa.

[73] Assignee: 90Degrees, Inc., Philadelphia, Pa.

[\*\*] Term: 14 Years

[21] Appl. No.: 29/096,793

[22] Filed: Nov. 20, 1998

[51] LOC (6) Cl. .... 21-01

[52] U.S. Cl. .... D21/501

[58] Field of Search ..... D21/484-505,  
D21/564-565; 446/85, 88, 93-96, 102-111,  
116-117, 119-121, 124-125, 128, 444-447,  
476; 238/10 E, 10 F

3,545,122	12/1970	Onanian .....	46/25
3,597,875	8/1971	Christiansen .....	46/25
3,640,017	2/1972	Christiansen .....	46/23
3,667,153	6/1972	Christiansen .....	46/30
3,690,031	9/1972	Shinoda .....	46/17
3,791,090	2/1974	Kniefel .....	52/593
3,803,754	4/1974	Fischer .....	46/26
4,044,497	8/1977	Bettens .....	46/17
4,182,072	1/1980	Much .....	46/17
4,185,410	1/1980	Kristiansen .....	46/23
4,253,268	3/1981	Mayr .....	46/30
4,403,733	9/1983	Bach et al. ....	238/10 E
4,726,515	2/1988	Bolli et al. ....	238/10
5,049,104	9/1991	Olsen .....	446/104
5,061,218	10/1991	Garage et al. ....	446/102
5,094,643	3/1992	Bolli et al. ....	446/121
5,209,693	5/1993	Lyman .....	446/104
5,411,428	5/1995	Orii et al. ....	446/90
5,427,558	6/1995	Knudsen .....	446/102
5,527,201	6/1996	Maddock .....	446/111
5,830,032	11/1998	Campbell .....	446/108

## [56] References Cited

### U.S. PATENT DOCUMENTS

D. 181,962	1/1958	Ehrmann .....	D21/499
D. 233,542	11/1974	Christiansen .....	D34/15 GG
D. 290,627	6/1987	Dideriksen .....	D21/108
D. 311,935	11/1990	Andersen .....	D21/108
D. 325,057	3/1992	Plagborg .....	D21/565
D. 336,120	6/1993	Kundsen .....	D4/108
D. 355,452	2/1995	Glynn .....	D21/108
D. 355,453	2/1995	Glynn .....	D21/108
D. 355,454	2/1995	Glynn .....	D21/108
D. 355,681	2/1995	Glynn .....	D21/108
D. 356,124	3/1995	Glynn .....	D21/108
D. 367,898	3/1996	Glynn .....	D21/108
D. 377,377	1/1997	Glynn .....	D21/108
1,281,856	10/1918	Shaw .	
2,020,562	11/1935	Miller .....	46/35
2,077,065	4/1937	Johannes .....	46/25
3,127,175	3/1964	White .....	273/132
3,234,683	2/1966	Christiansen .....	46/25
3,242,610	3/1966	Christiansen .....	46/26
3,415,007	12/1968	Howe .....	46/19
3,464,624	9/1969	Christiansen .....	238/10 E
3,503,631	3/1970	Christiansen .....	238/10 E

### OTHER PUBLICATIONS

Lego Technic

Primary Examiner—Raphael Barkai  
Attorney, Agent, or Firm—Kenneth P. Glynn, Esq.

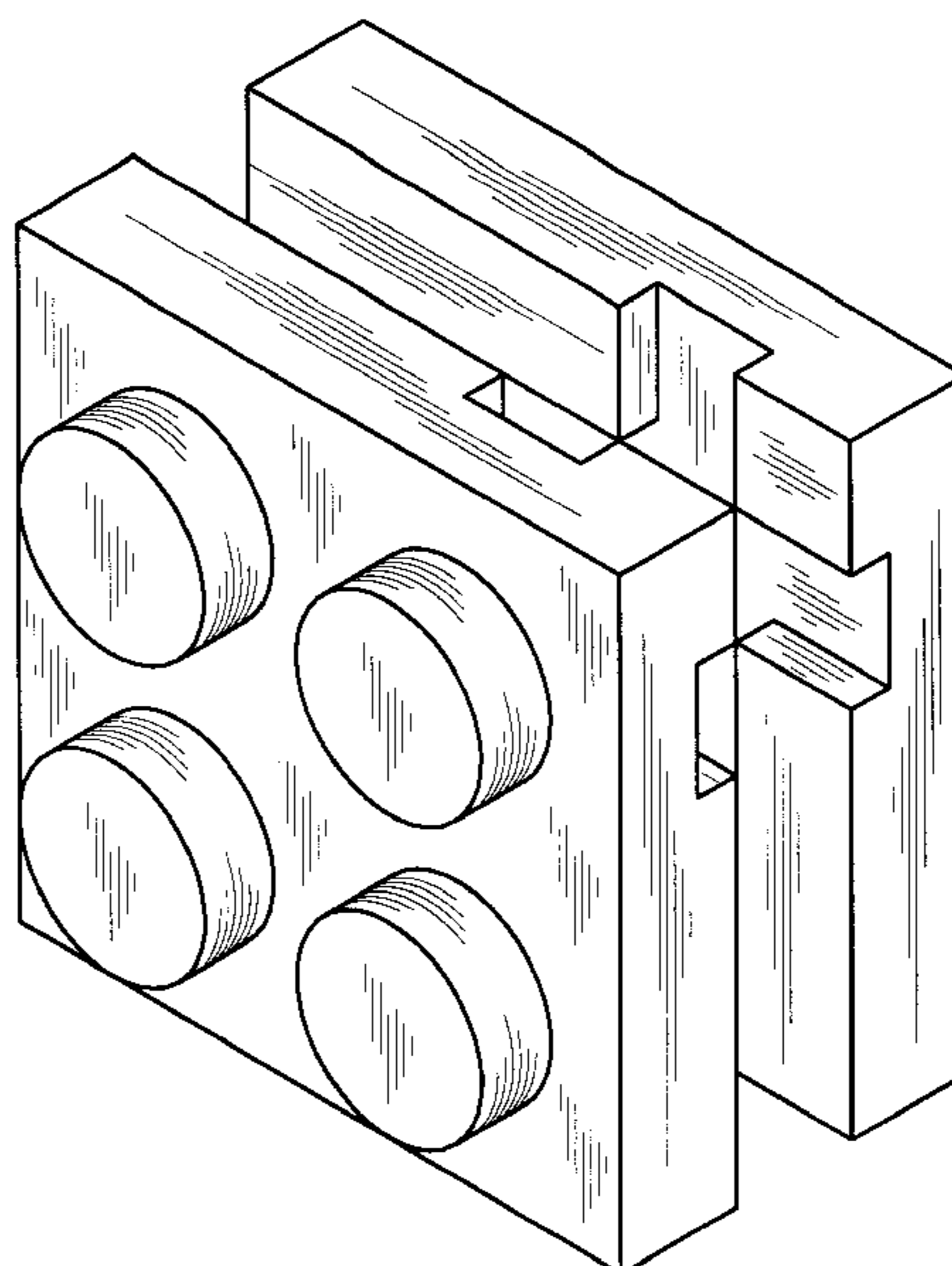
## [57] CLAIM

The ornamental design for a toy-block with sidewall rail guide means, as shown and described.

### DESCRIPTION

FIG. 1 is a prospective view of a toy-block with sidewall rail guide means showing my new design;  
FIG. 2 is a first side elevational view thereof;  
FIG. 3 is a top plan view thereof;  
FIG. 4 is a second side elevational view thereof;  
FIG. 5 is a bottom plan view thereof;  
FIG. 6 is a third side elevational view thereof; and,  
FIG. 7 is a fourth side elevational view thereof.

1 Claim, 1 Drawing Sheet



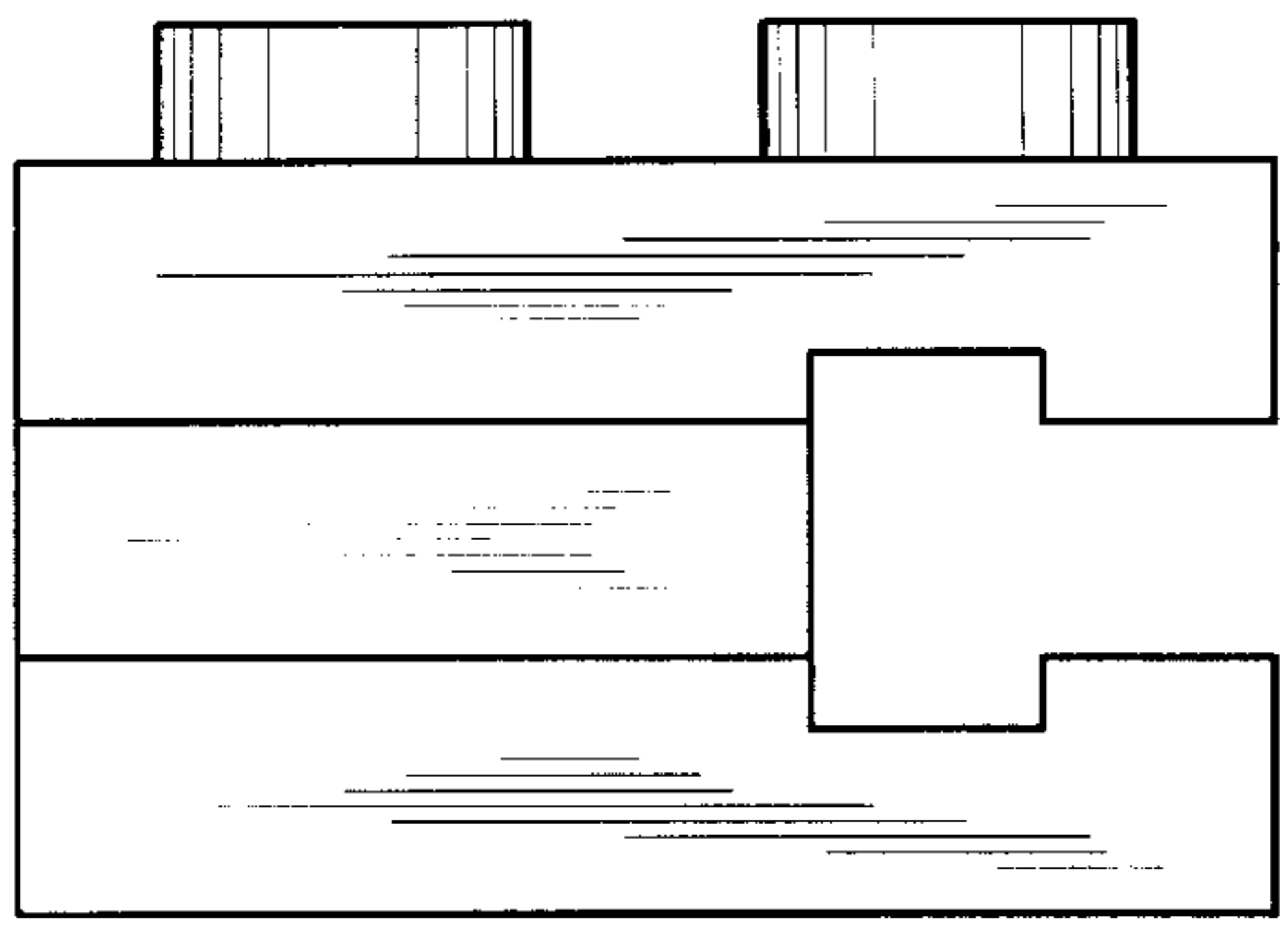


Fig. 2

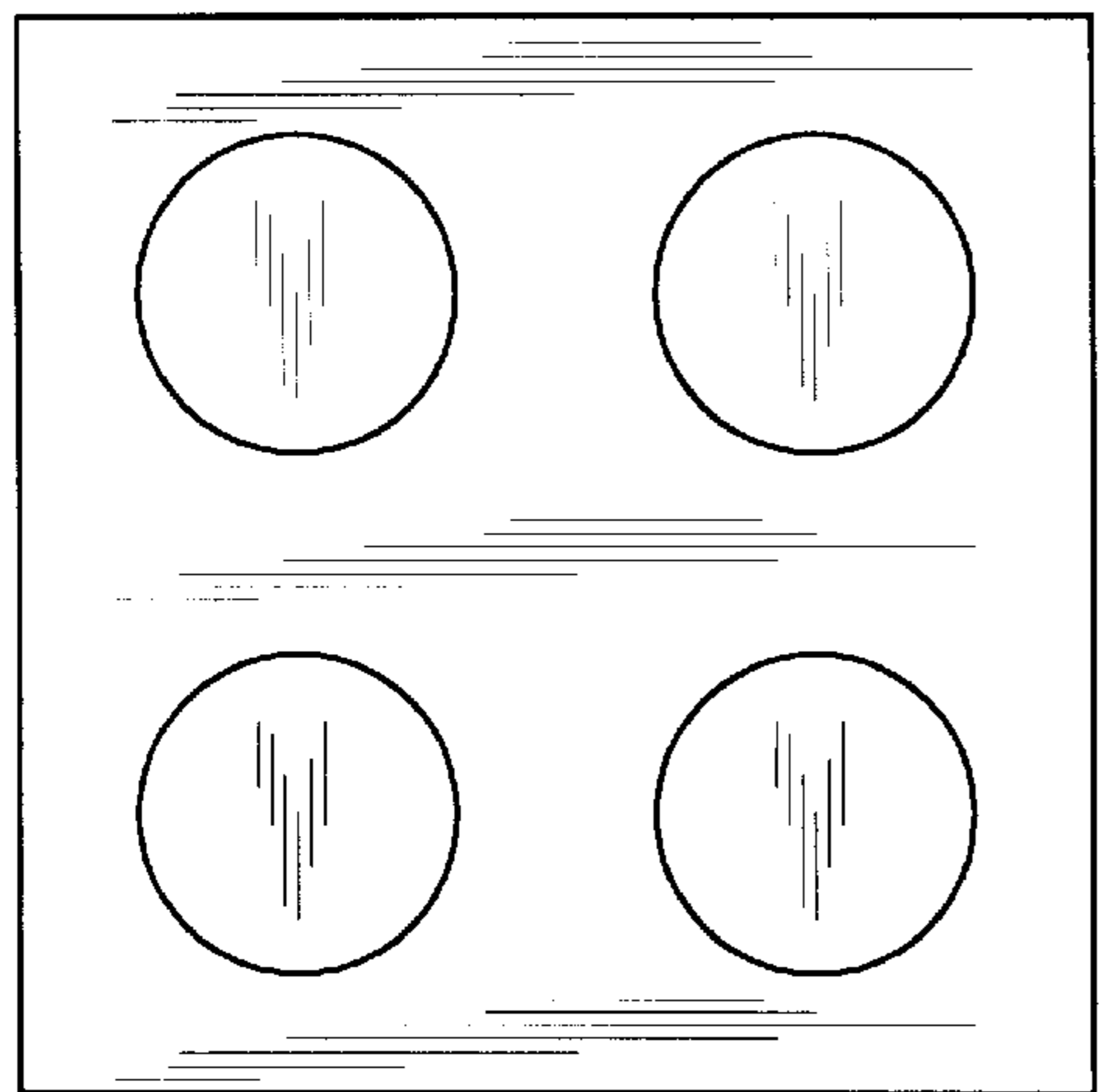


Fig. 3

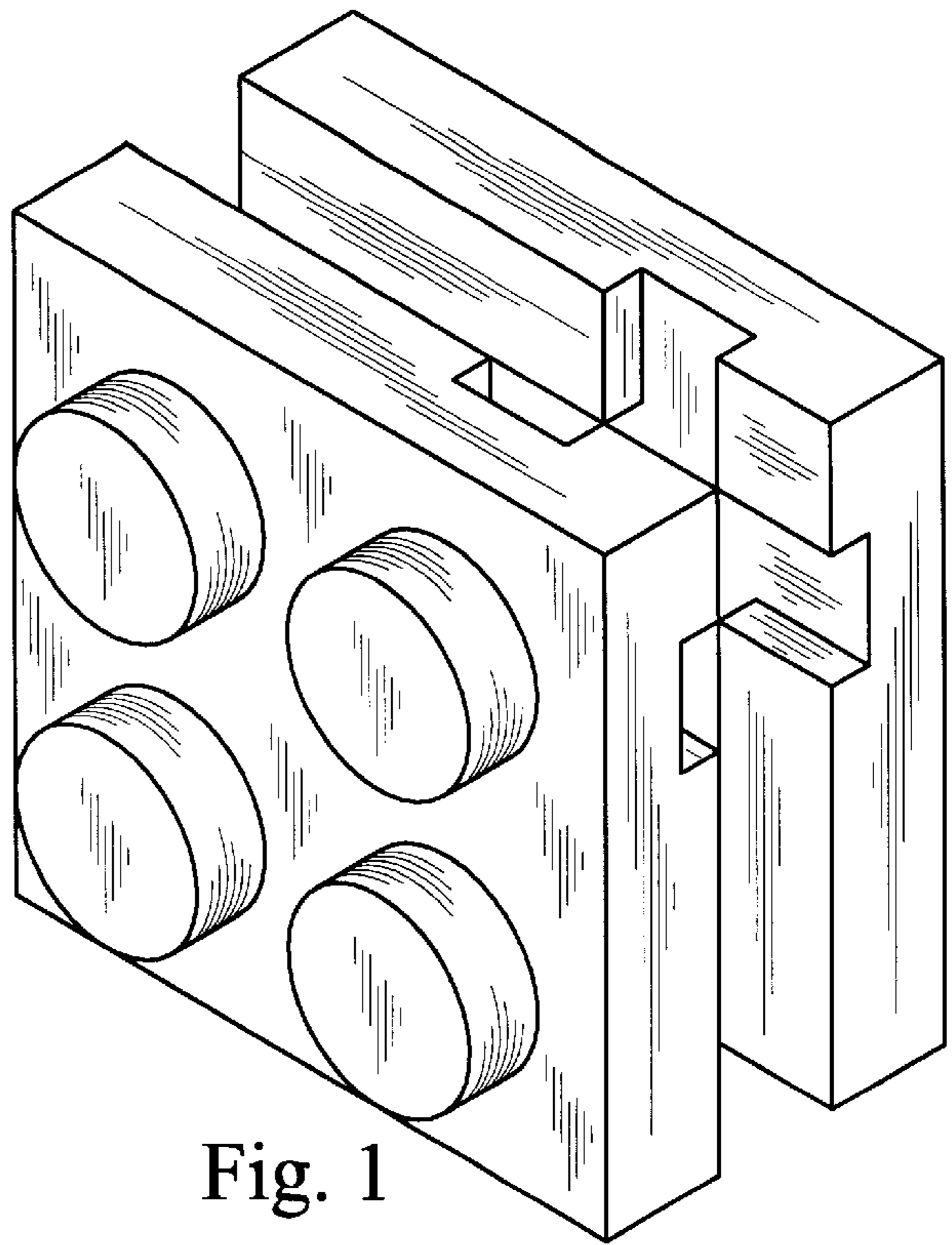


Fig. 1

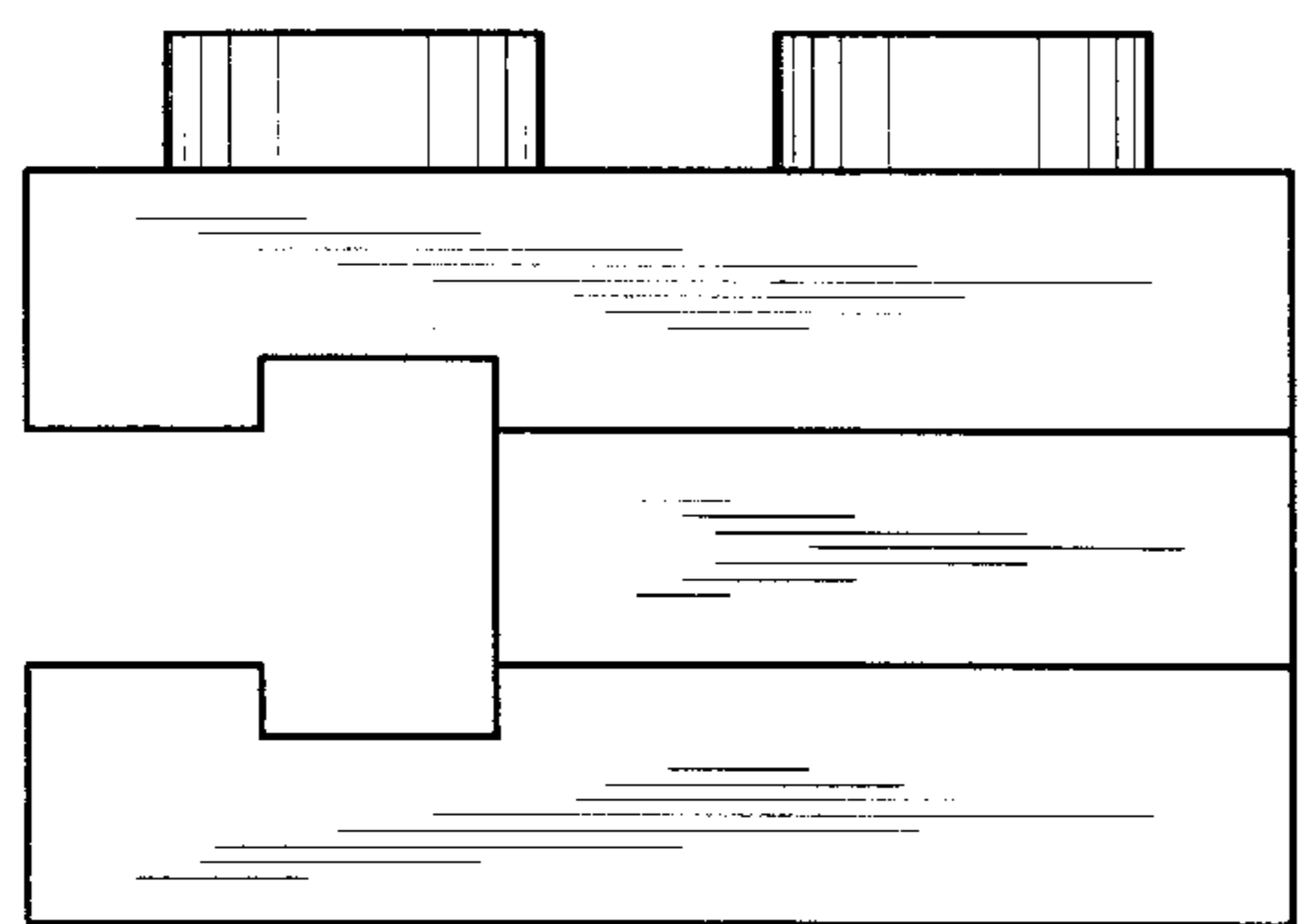


Fig. 4

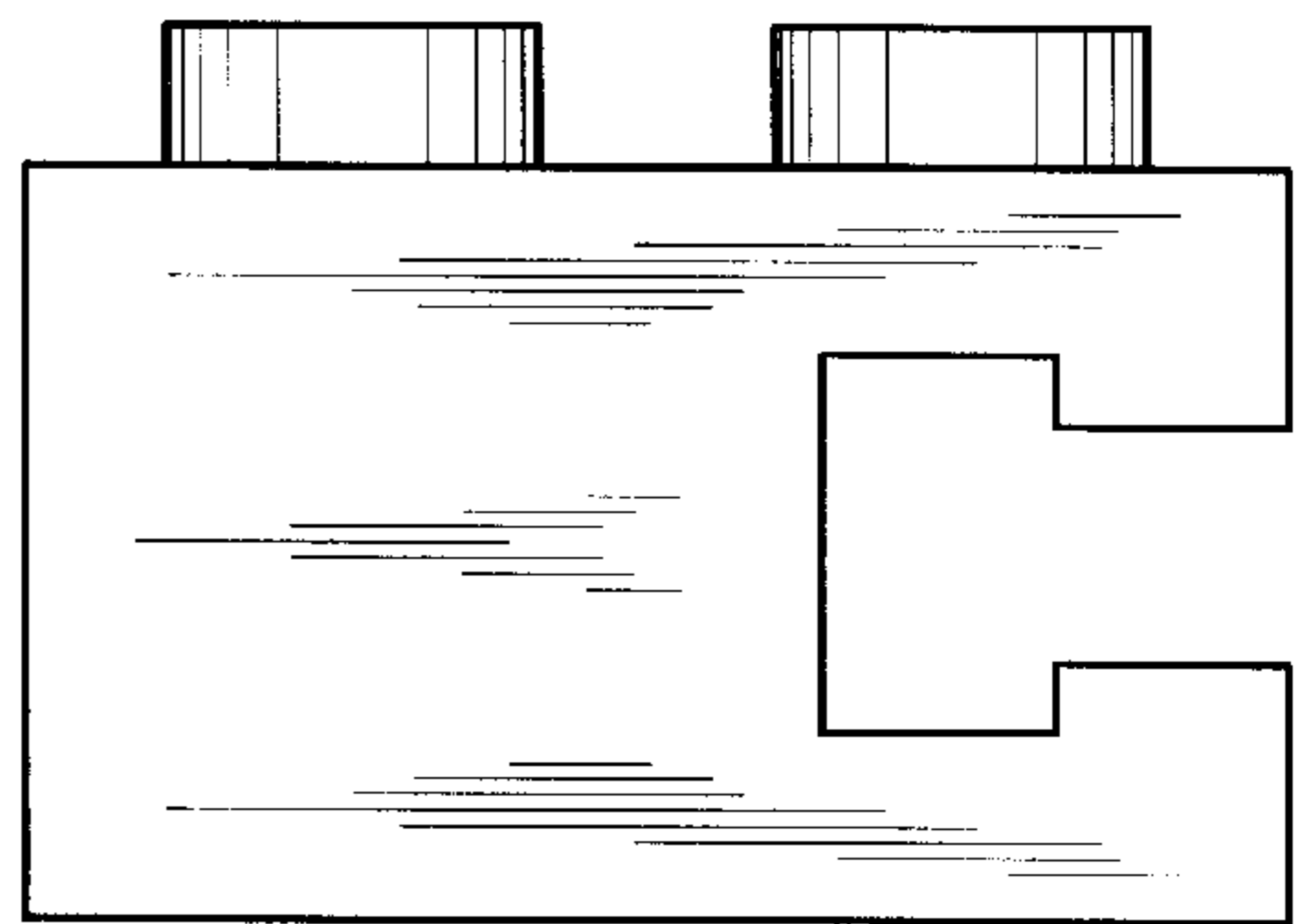


Fig. 6

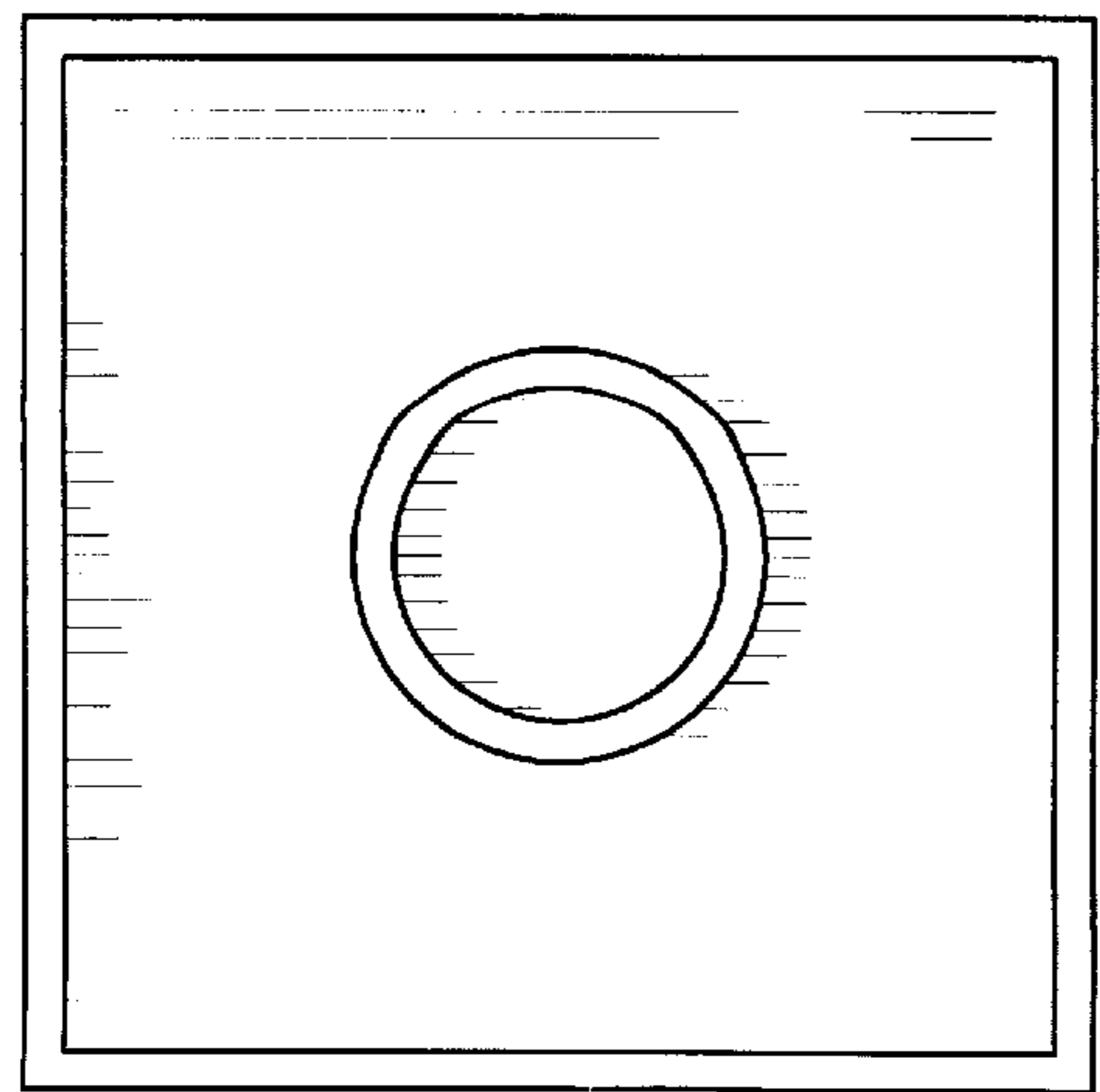


Fig. 5

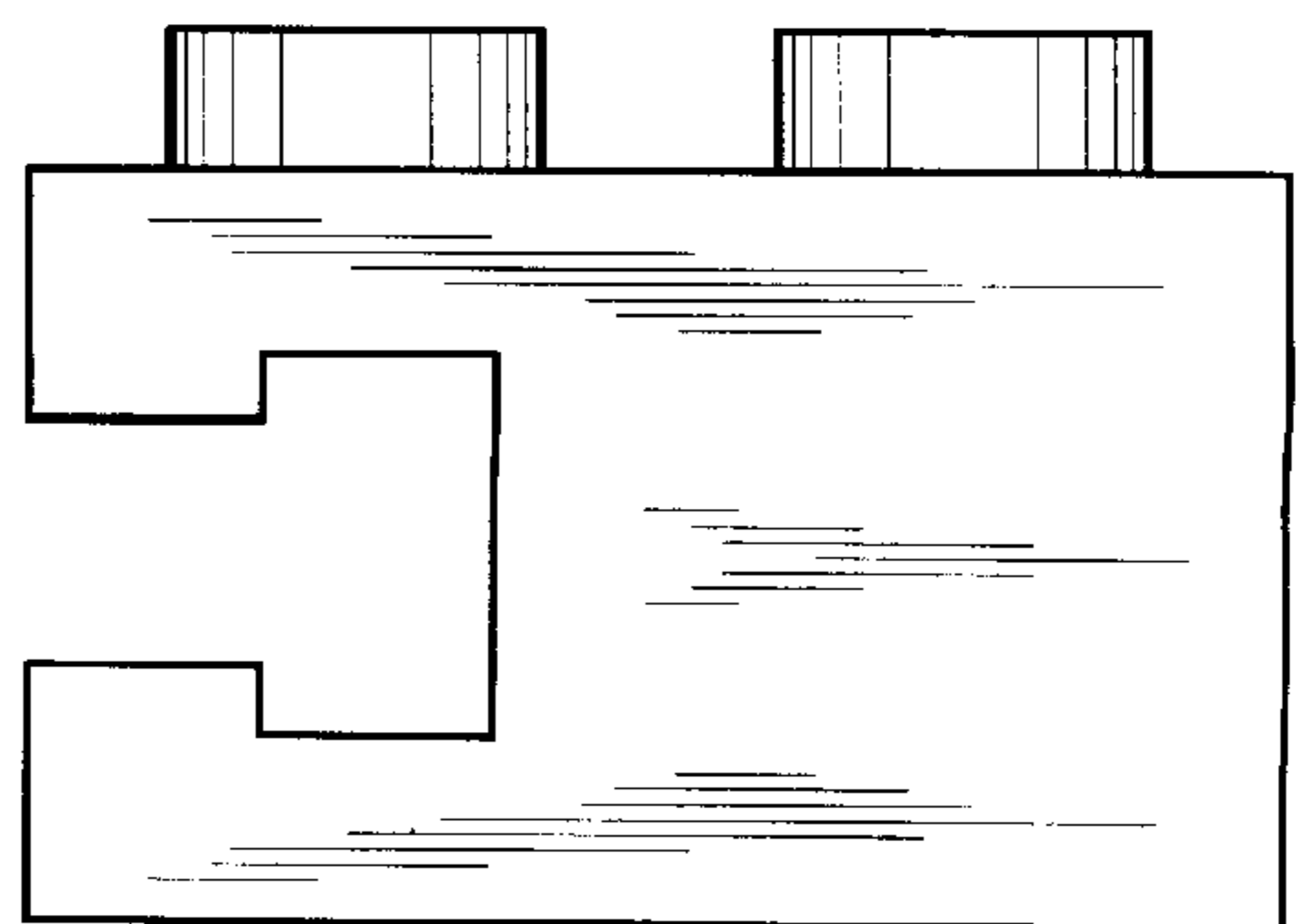


Fig. 7