



US00D417703S

United States Patent [19]
Saito

[11] **Patent Number: Des. 417,703**

[45] **Date of Patent: ** Dec. 14, 1999**

[54] **DISPLAYING DEVICE FOR ADVERTISEMENT**

1,996,983 4/1935 Steinback 40/124.16
2,138,361 11/1938 Snelling 40/310

[75] Inventor: **Yoshikazu Saito**, Saitama-ken, Japan

Primary Examiner—Susan J. Lucas
Assistant Examiner—Jennifer Rivard
Attorney, Agent, or Firm—Weingarten, Schurgin, Gagnebin & Hayes LLP

[73] Assignee: **Sanyo Electric Co., Ltd.**, Osaka-Fu, Japan

[**] Term: **14 Years**

[57] **CLAIM**

[21] Appl. No.: **29/089,845**

I claim the ornamental design for a displaying device for advertisement, as shown and described.

[22] Filed: **Jun. 24, 1998**

DESCRIPTION

[30] **Foreign Application Priority Data**

Dec. 25, 1997 [JP] Japan 9-80371

FIG. 1 is a top, front, and right side view of our design for a displaying device for advertisement;
FIG. 2 is a front view thereof;
FIG. 3 is a back side view thereof;
FIG. 4 is a top plan view thereof;
FIG. 5 is a bottom plan view thereof;
FIG. 6 is a right side view thereof;
FIG. 7 is a left side view thereof;
FIG. 8 is a perspective view thereof showing the displaying portion in an alternate position; and,
FIG. 9 is a perspective view thereof showing the displaying portion in an additional alternate position.

[51] **LOC (6) Cl.** **20-03**

[52] **U.S. Cl.** **D20/37**

[58] **Field of Search** D20/10, 19, 37,
D20/29, 40; 40/124.01, 611, 310, 538,
306, 124.16

[56] **References Cited**

U.S. PATENT DOCUMENTS

D. 91,867 4/1934 Hammer D20/37
1,348,899 8/1920 Sargent 40/310

1 Claim, 4 Drawing Sheets

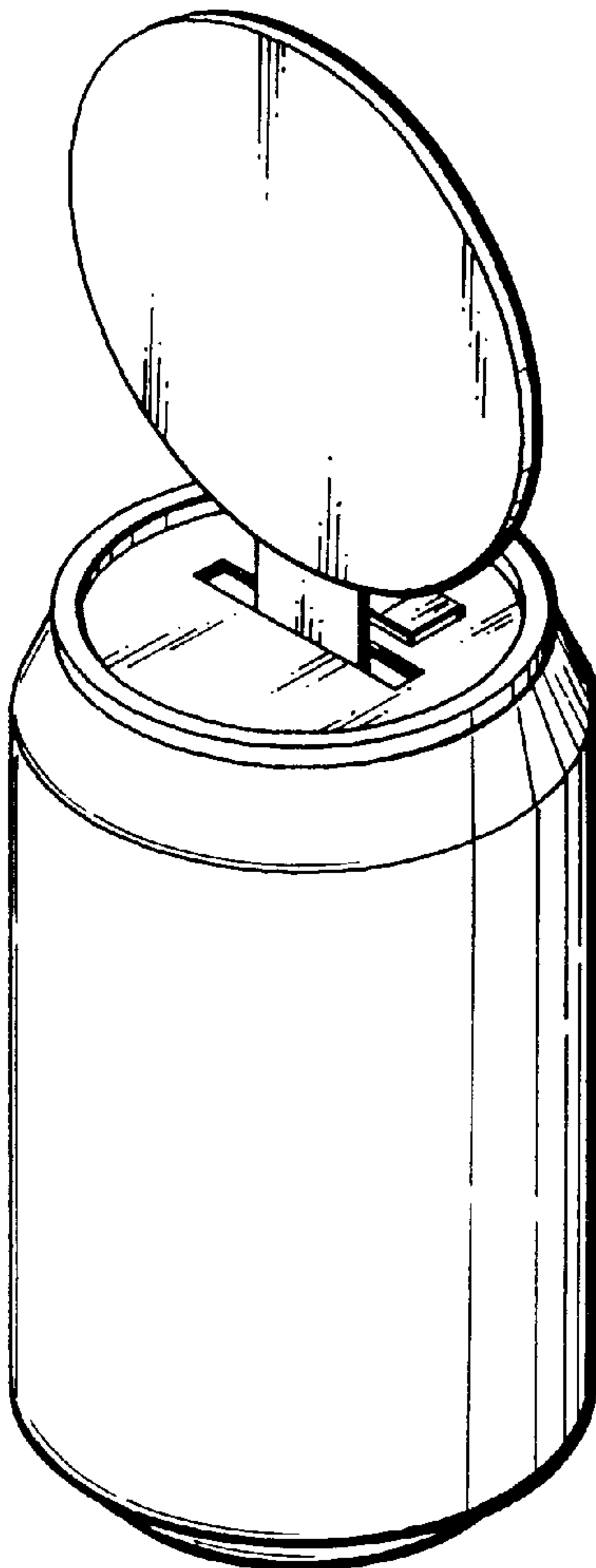


Fig. 1

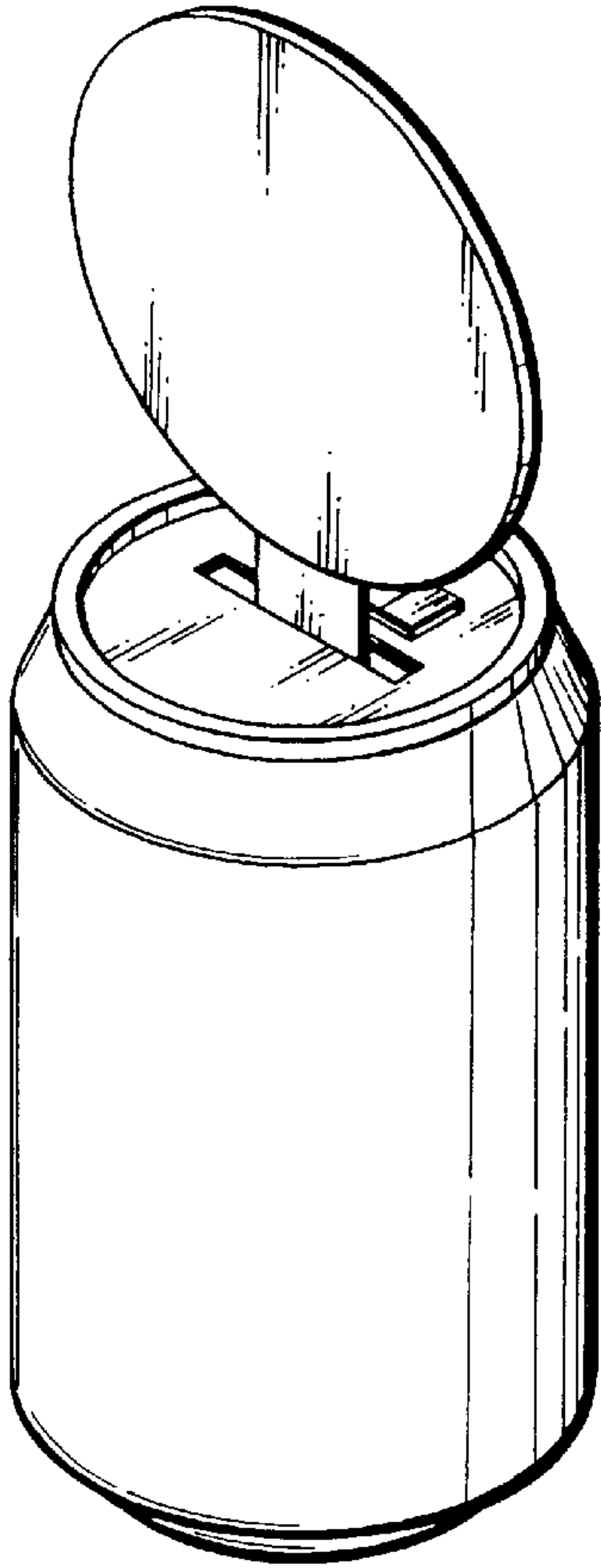


Fig. 2

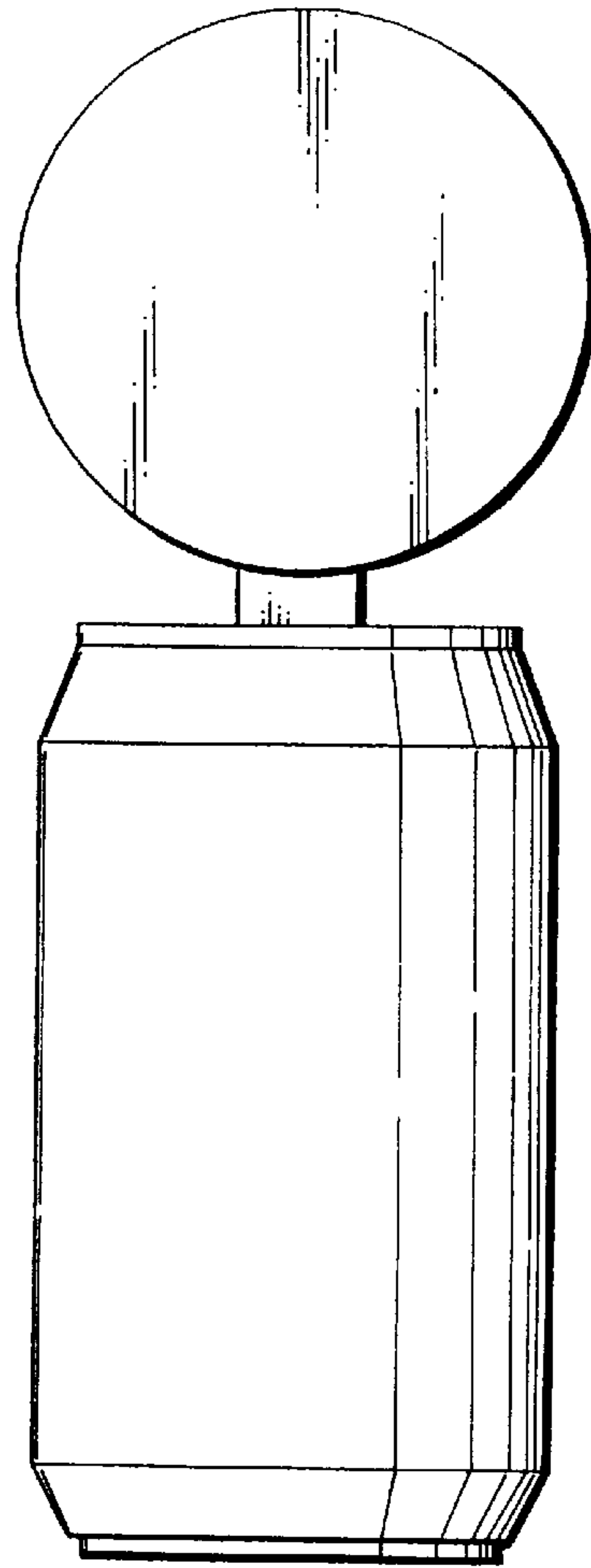


Fig. 3

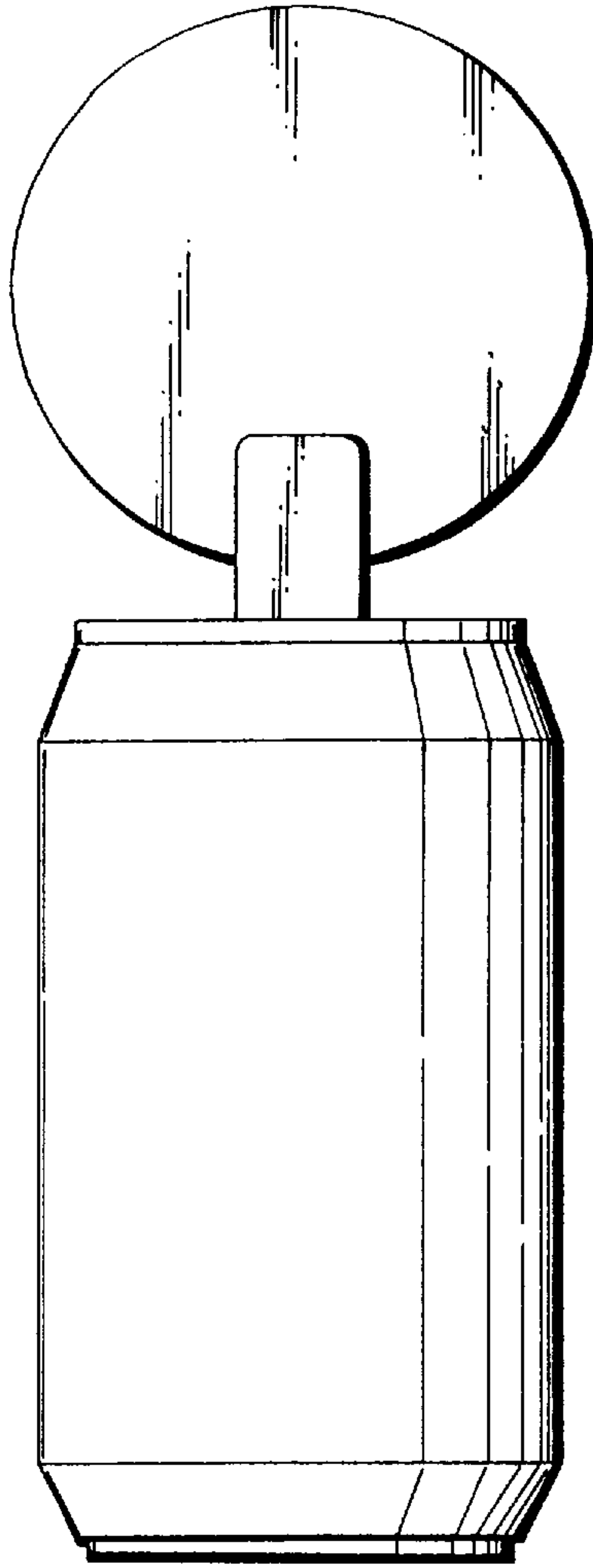


Fig. 4

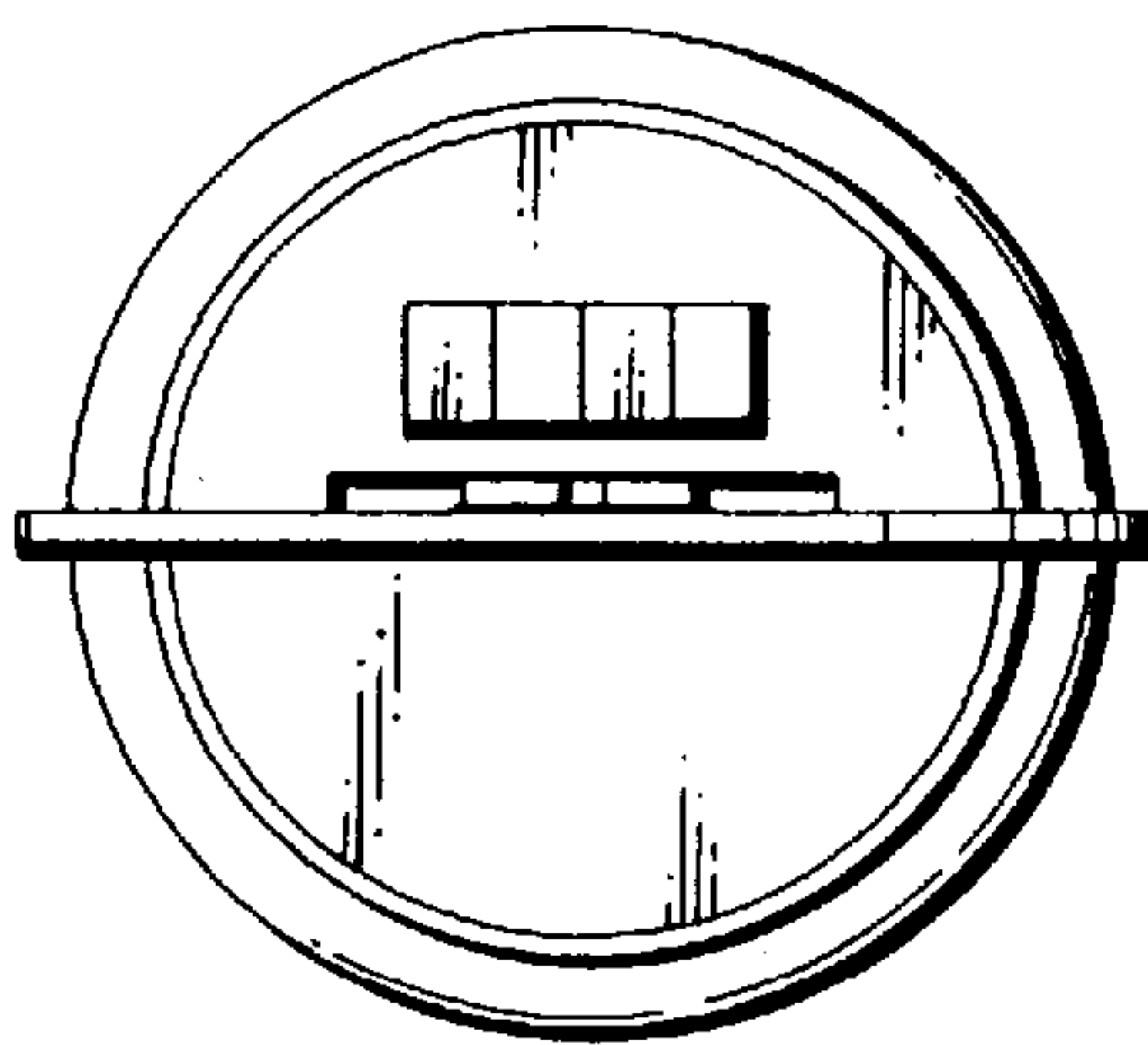


Fig. 5

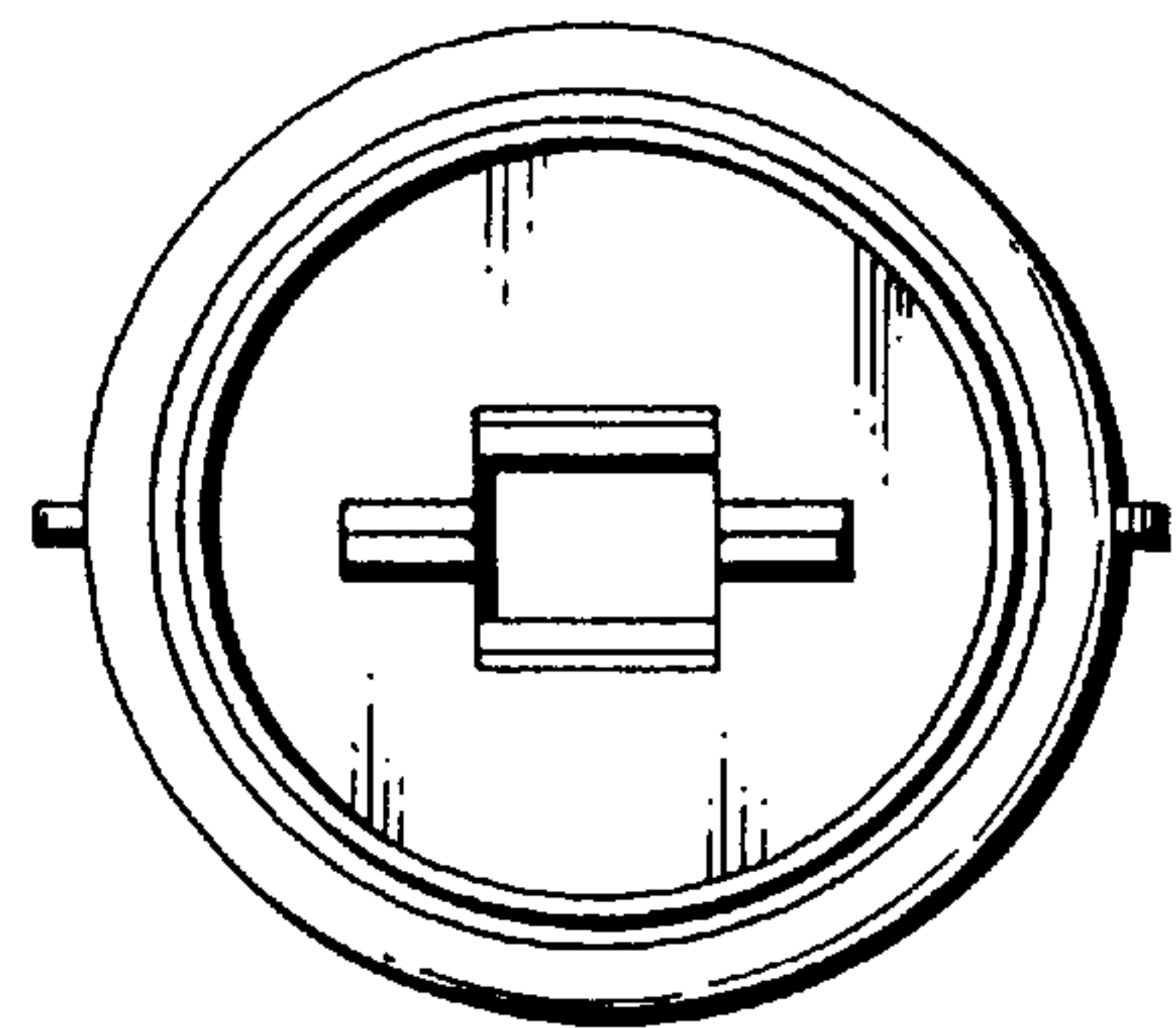


Fig. 6

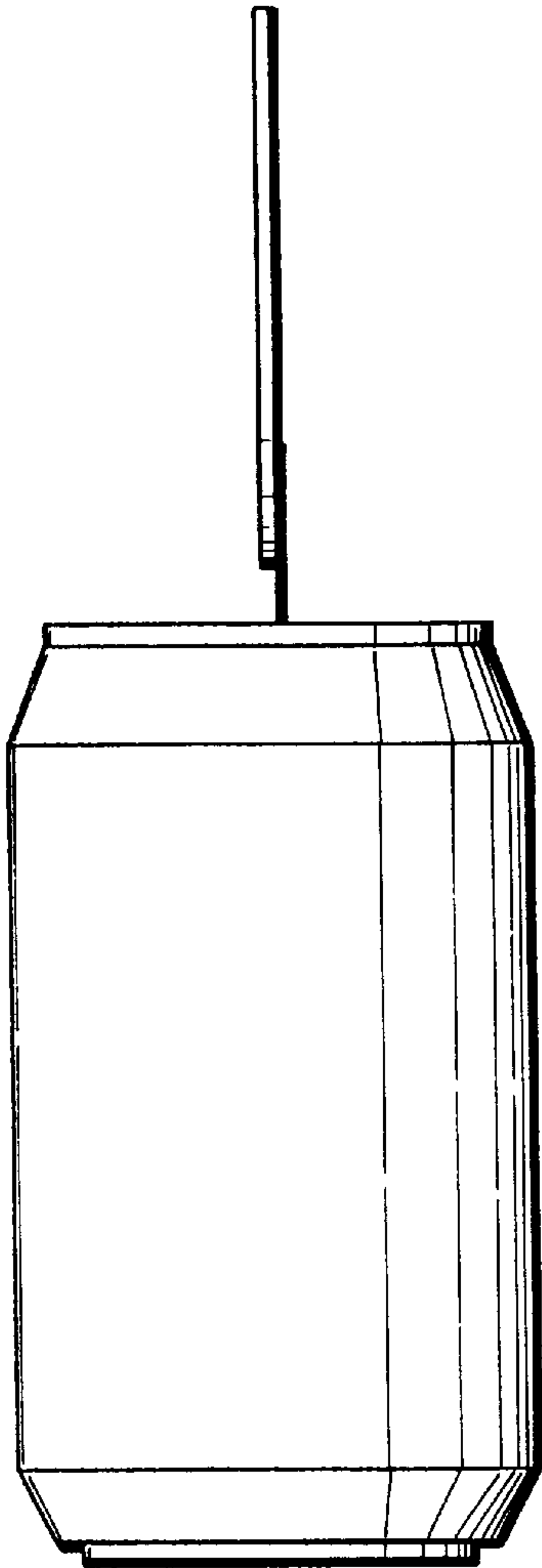


Fig. 7

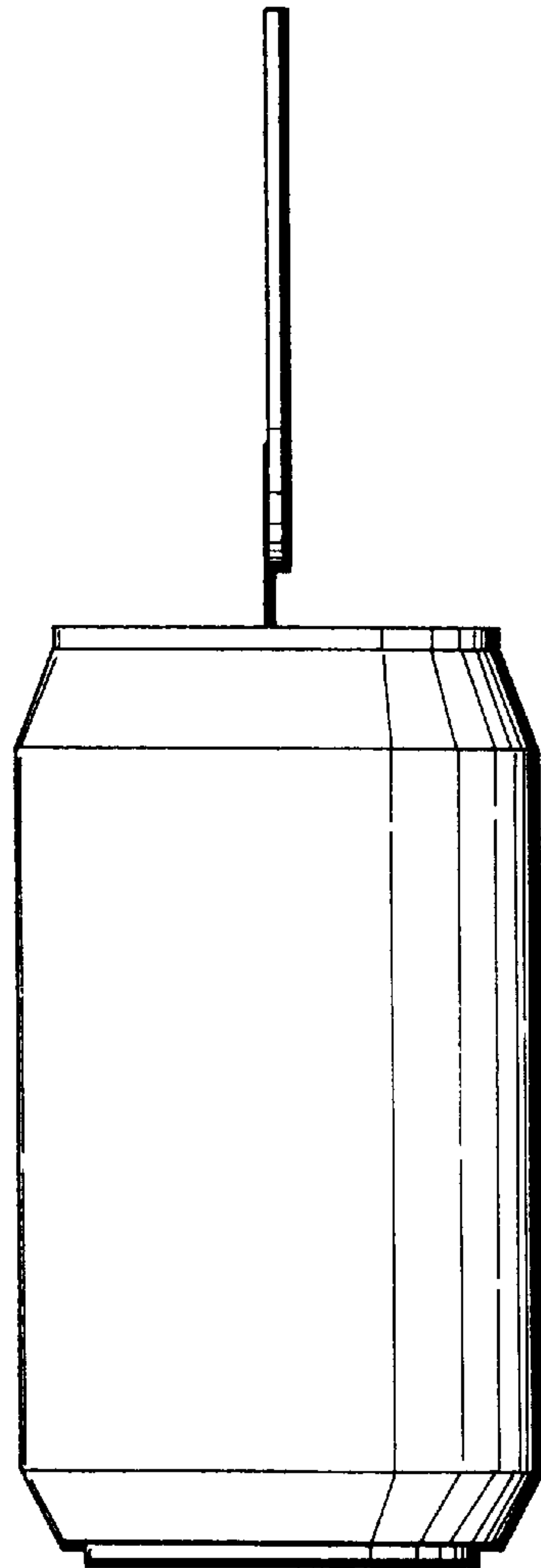


Fig. 8

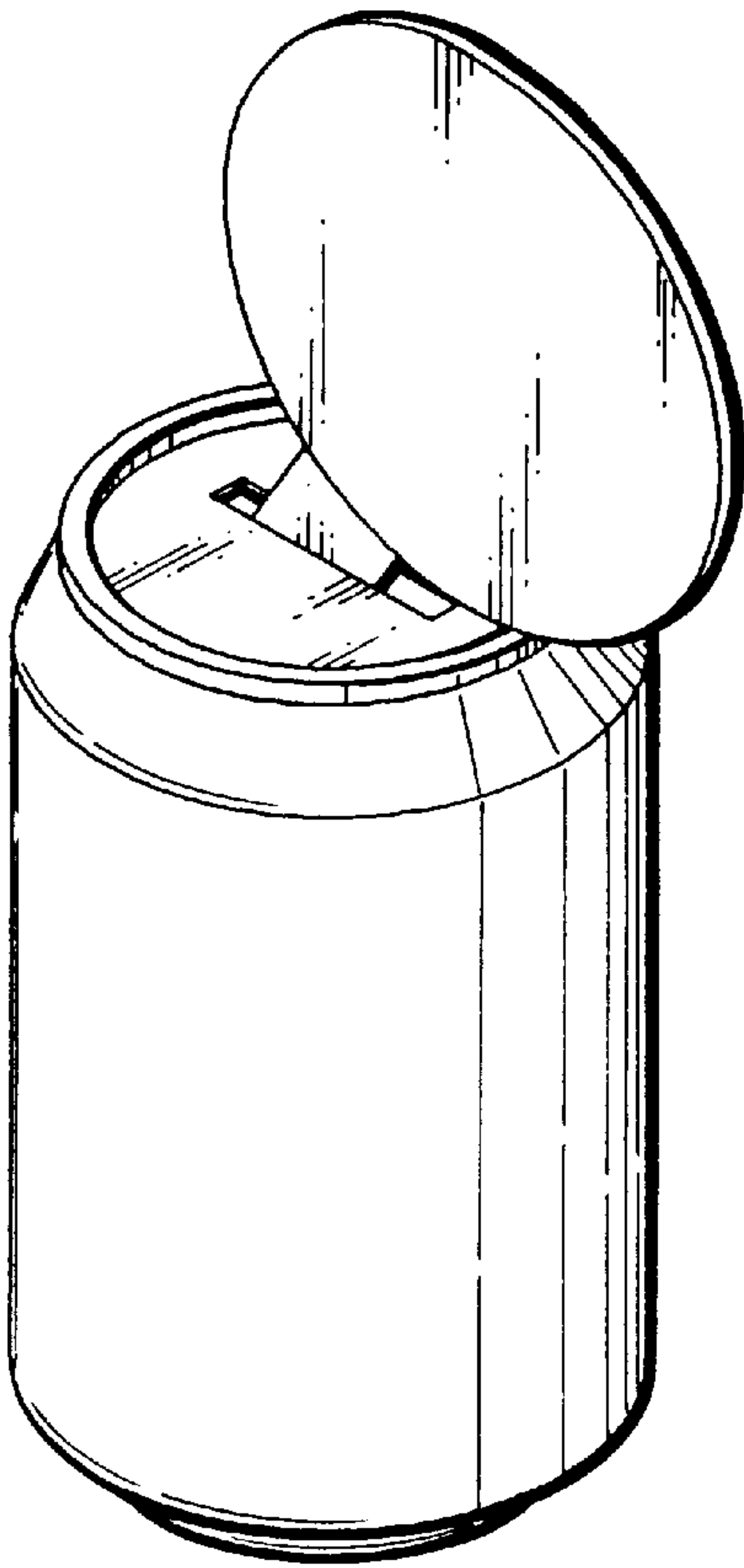


Fig. 9

