



US00D417701S

United States Patent [19] Jack

[11] **Patent Number: Des. 417,701**

[45] **Date of Patent: ** Dec. 14, 1999**

[54] **MULTI-PURPOSE INFORMATION CENTER**

[75] Inventor: **Douglas M. Jack**, Fullerton, Calif.

[73] Assignee: **Day Runner, Inc.**, Fullerton, Calif.

[**] Term: **14 Years**

[21] Appl. No.: **29/088,430**

[22] Filed: **May 22, 1998**

[51] **LOC (6) Cl.** **19-06**

[52] **U.S. Cl.** **D19/52; D19/36; D19/78;**
D19/85; D20/19; D6/553; D6/569

[58] **Field of Search** D19/35, 36, 52,
D19/65, 21-23, 77, 78, 81-85, 86, 90,
91, 99, 100; D20/10, 19, 39, 42; D6/300,
527, 553, 569-572; 40/1, 124.1, 124.2,
124.4, 905, 107-120, 122

[56] **References Cited**

U.S. PATENT DOCUMENTS

- D. 281,704 12/1985 Deacon D19/52
- D. 388,459 12/1997 Jack .

- D. 390,263 2/1998 Jack .
- D. 392,318 3/1998 Jack .
- D. 394,456 5/1998 Jack .
- D. 396,490 7/1998 Jack .
- 4,133,123 1/1979 Anderson 40/1

Primary Examiner—Martie K. Holtje
Attorney, Agent, or Firm—Pretty, Schroeder & Poplawski

[57] **CLAIM**

I claim the ornamental design for a multi-purpose information center, as shown and described.

DESCRIPTION

FIG. 1 is a perspective view of the multi-purpose information center of the present invention.
FIG. 2 is a front view thereof;
FIG. 3 is a top view thereof;
FIG. 4 is a right side view thereof with the left side view being a mirror image thereof; and,
FIG. 5 is a bottom view thereof.
The rear of the multi-purpose information center is unornamented.

1 Claim, 3 Drawing Sheets

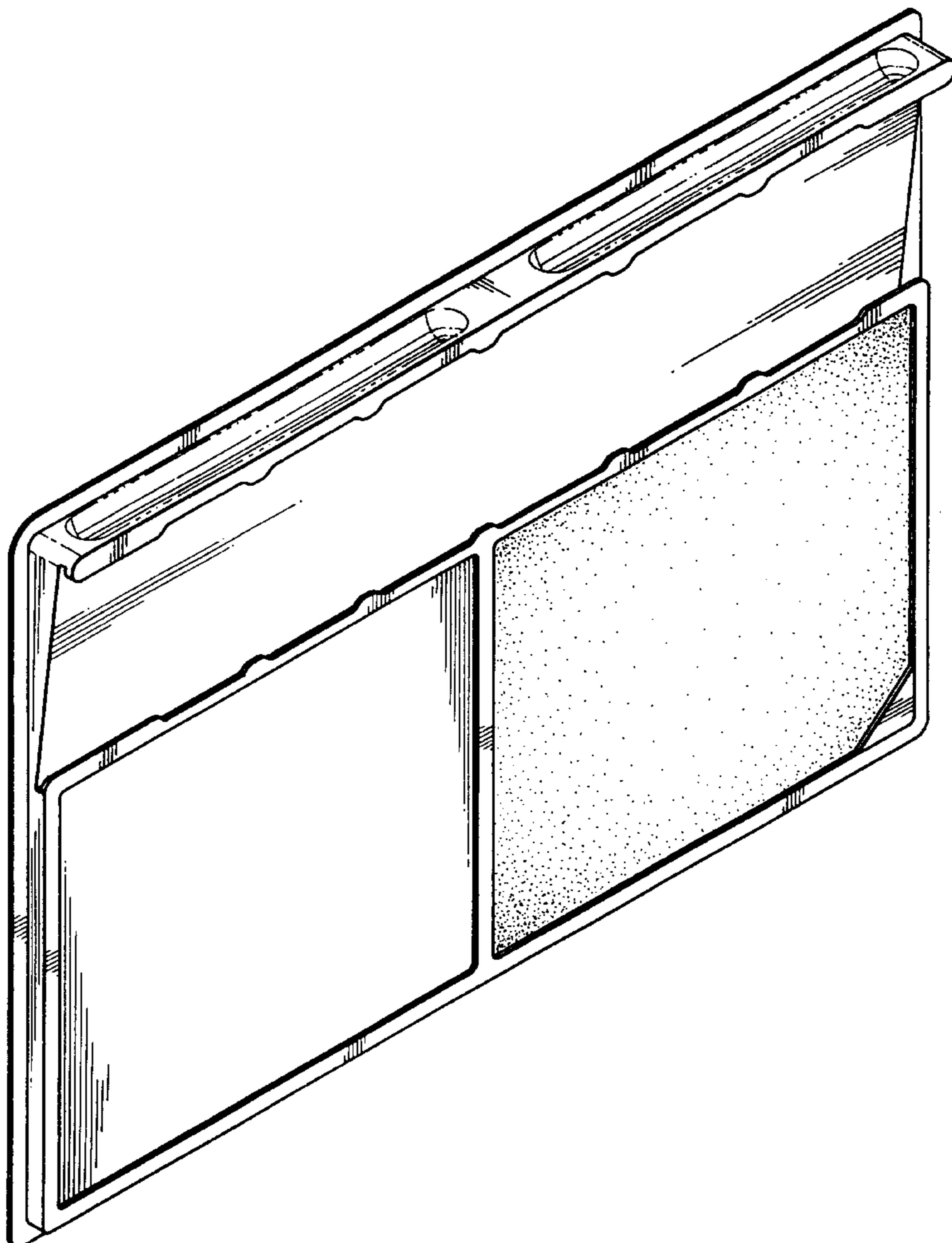
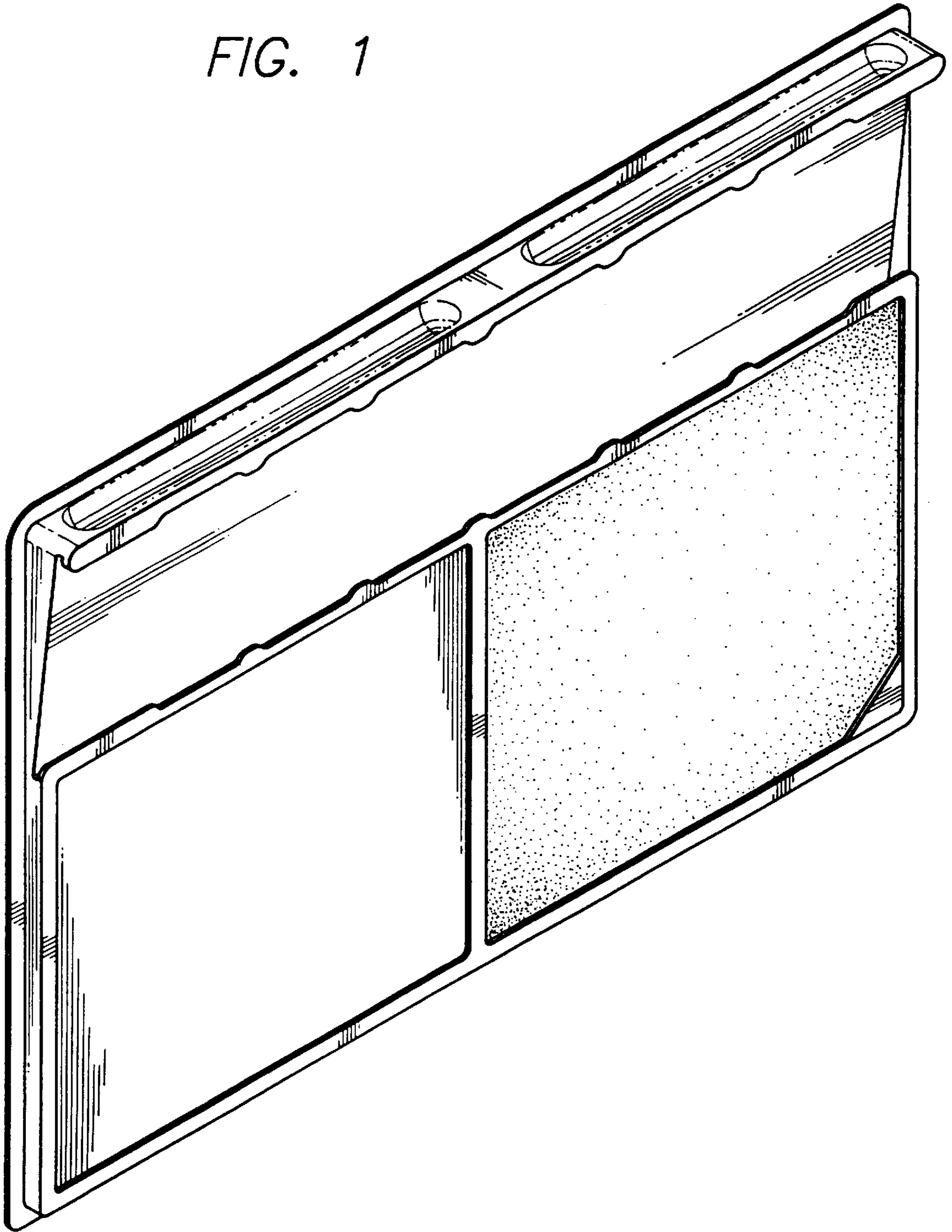


FIG. 1



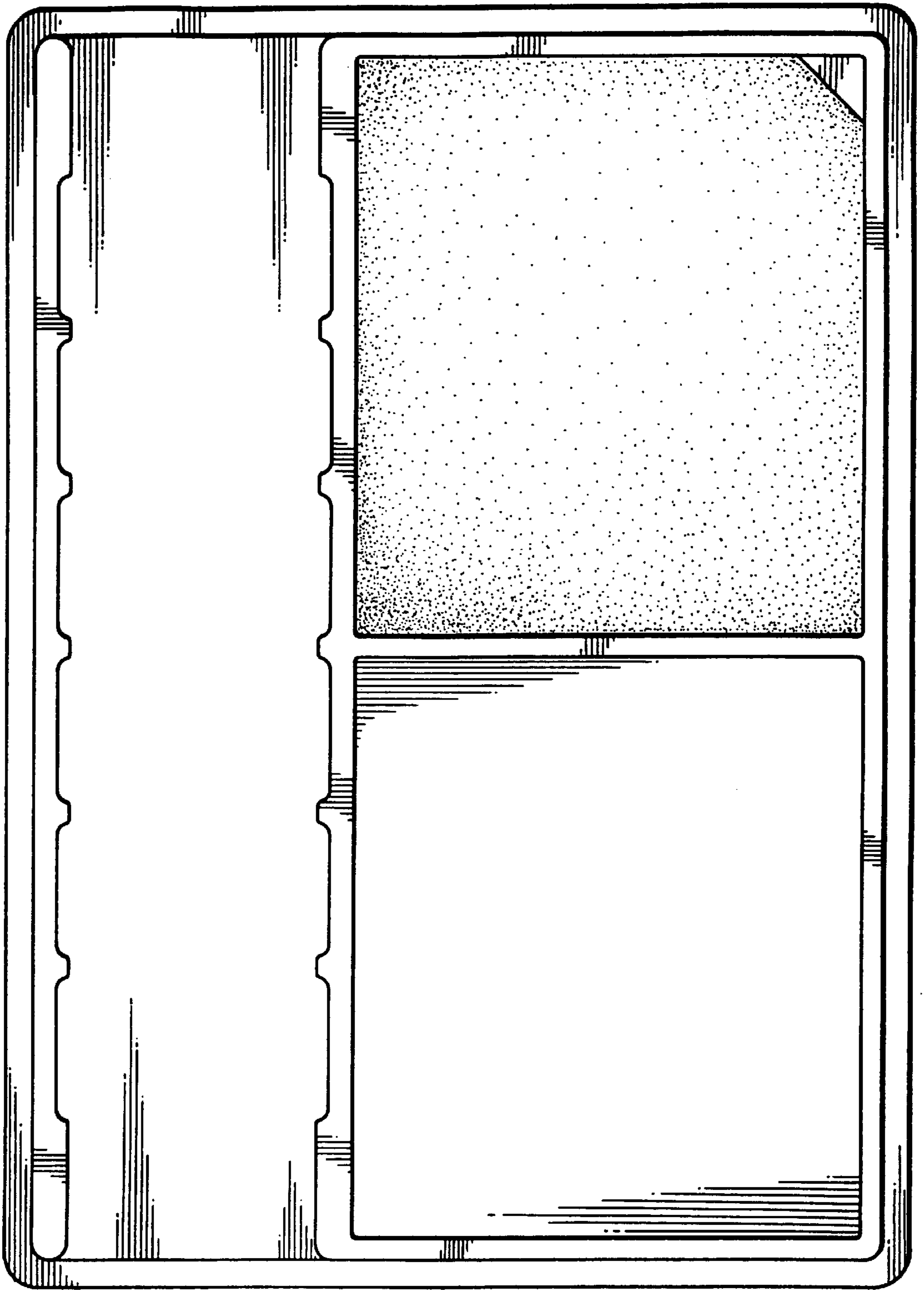


FIG. 2

FIG. 3



FIG. 4

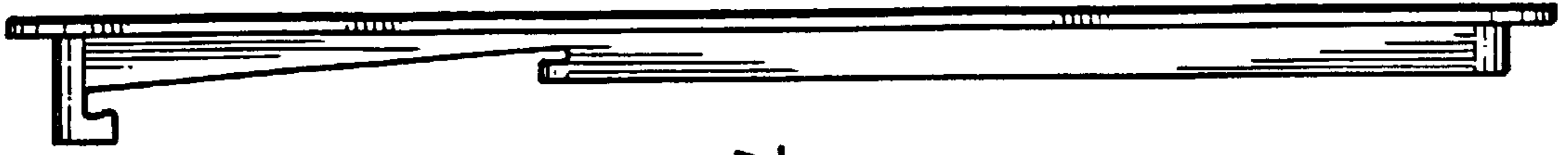


FIG. 5

