



US00D417693S

United States Patent [19] Daley, Jr.

[11] Patent Number: **Des. 417,693**

[45] Date of Patent: **** Dec. 14, 1999**

[54] **COMPACT ROTARY TRIMMER**

[75] Inventor: **Phillip B. Daley, Jr.**, Statesville, N.C.

[73] Assignee: **Hunt Holdings, Inc.**, Wilmington, Del.

[**] Term: **14 Years**

[21] Appl. No.: **29/086,540**

[22] Filed: **Apr. 15, 1998**

[51] **LOC (6) Cl.** **18-04**

[52] **U.S. Cl.** **D18/34**

[58] **Field of Search** D18/34, 99; D19/72;
D15/127, 129, 141; 83/585, 607, 468, 485,
583, 614, 636, 663

[56] **References Cited**

U.S. PATENT DOCUMENTS

D. 319,840	9/1991	Hatsumi et al.	D18/34
D. 353,150	12/1994	Mori	D15/127
D. 387,377	12/1997	Daley, Jr.	D18/34
1,075,050	10/1913	Mihills .		
3,301,117	1/1967	Spaulding	83/455
3,648,557	3/1972	Lind	83/489
3,766,816	10/1973	Loveless	83/489
3,821,915	7/1974	Larrable	83/174
4,046,044	9/1977	Paterson et al.	83/489
4,686,876	8/1987	Hume et al.	83/455
5,069,097	12/1991	Mori	83/56
5,322,001	6/1994	Boda	83/485
5,524,515	6/1996	Boda	83/455

OTHER PUBLICATIONS

Miller's Office Products Catalog, from the examiner's collection, p. 957, items E and F, rotary trimmers, Dec. 1997. Mobius & Ruppert, Professionell Roll Cat©, Printed in Germany Jan. 1994.

Ingento by Quartet, catalog p. 830, entitled Trimming Boards, see B. New Rotary Paper Trimmer.

Primary Examiner—Louis S. Zarfes

Assistant Examiner—G. Andoll

Attorney, Agent, or Firm—Synnestvedt & Lechner LLP

[57] **CLAIM**

The ornamental design for the compact rotary trimmer, as shown and described.

DESCRIPTION

FIG. 1 is a perspective view of my design for a compact rotary trimmer;

FIG. 2 is a top plan view of the compact rotary trimmer shown in FIG. 1;

FIG. 3 is a bottom plan view of the compact rotary trimmer shown in FIG. 1;

FIG. 4 is a right side view of the compact rotary trimmer shown in FIG. 1;

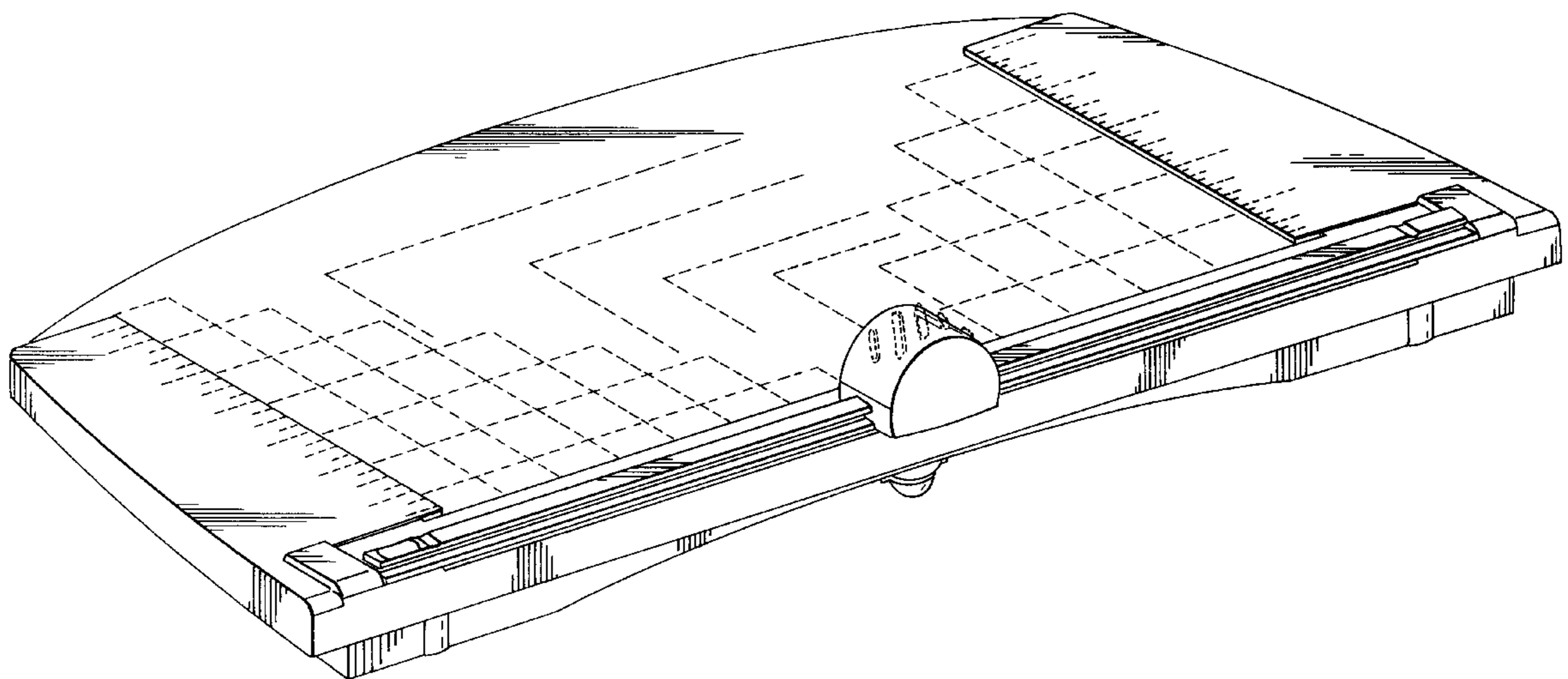
FIG. 5 is a left side view of the compact rotary trimmer shown in FIG. 1;

FIG. 6 is a front end view of the compact rotary trimmer shown in FIG. 1; and,

FIG. 7 is a rear end view of the compact rotary trimmer shown in FIG. 1.

The broken lines in FIGS. 1–7 are in no way intended to form part of the claimed design and are for illustrative purposes only.

1 Claim, 5 Drawing Sheets



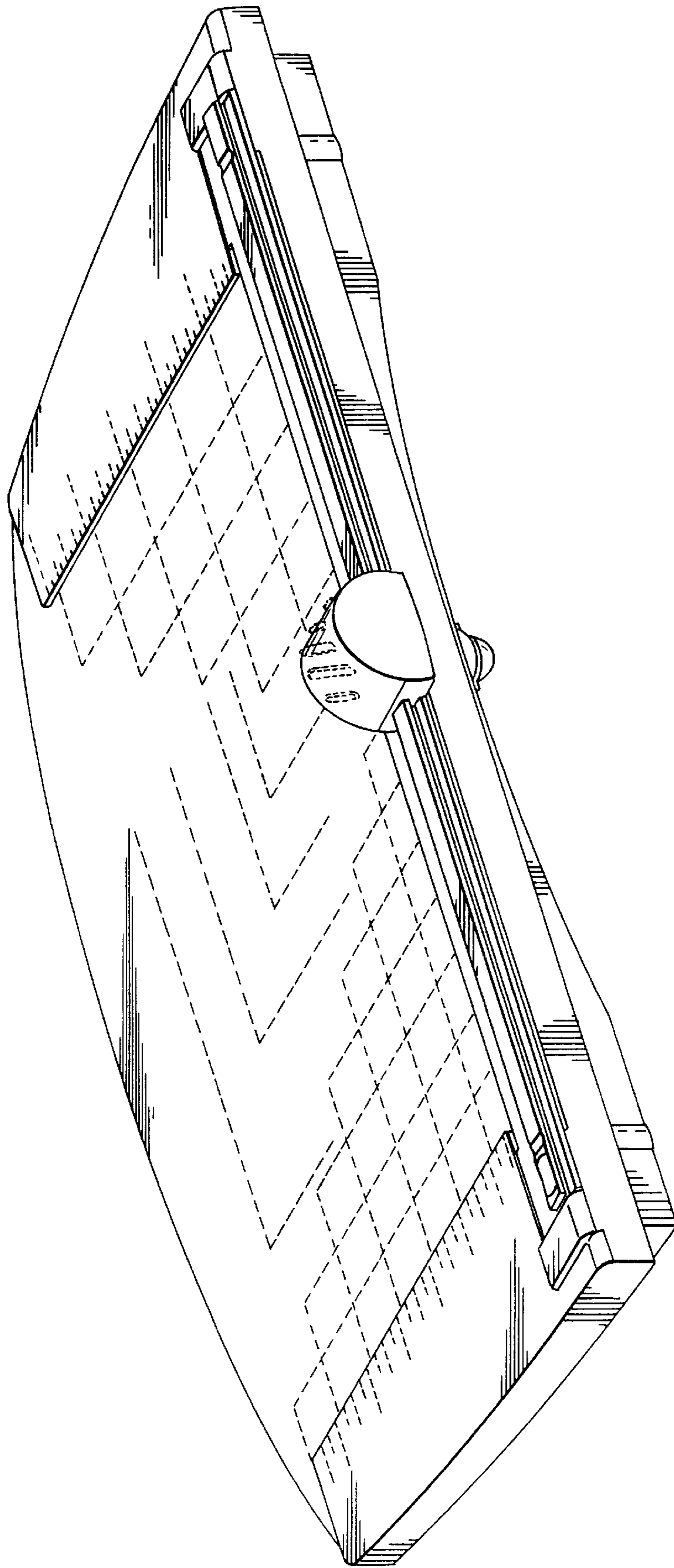
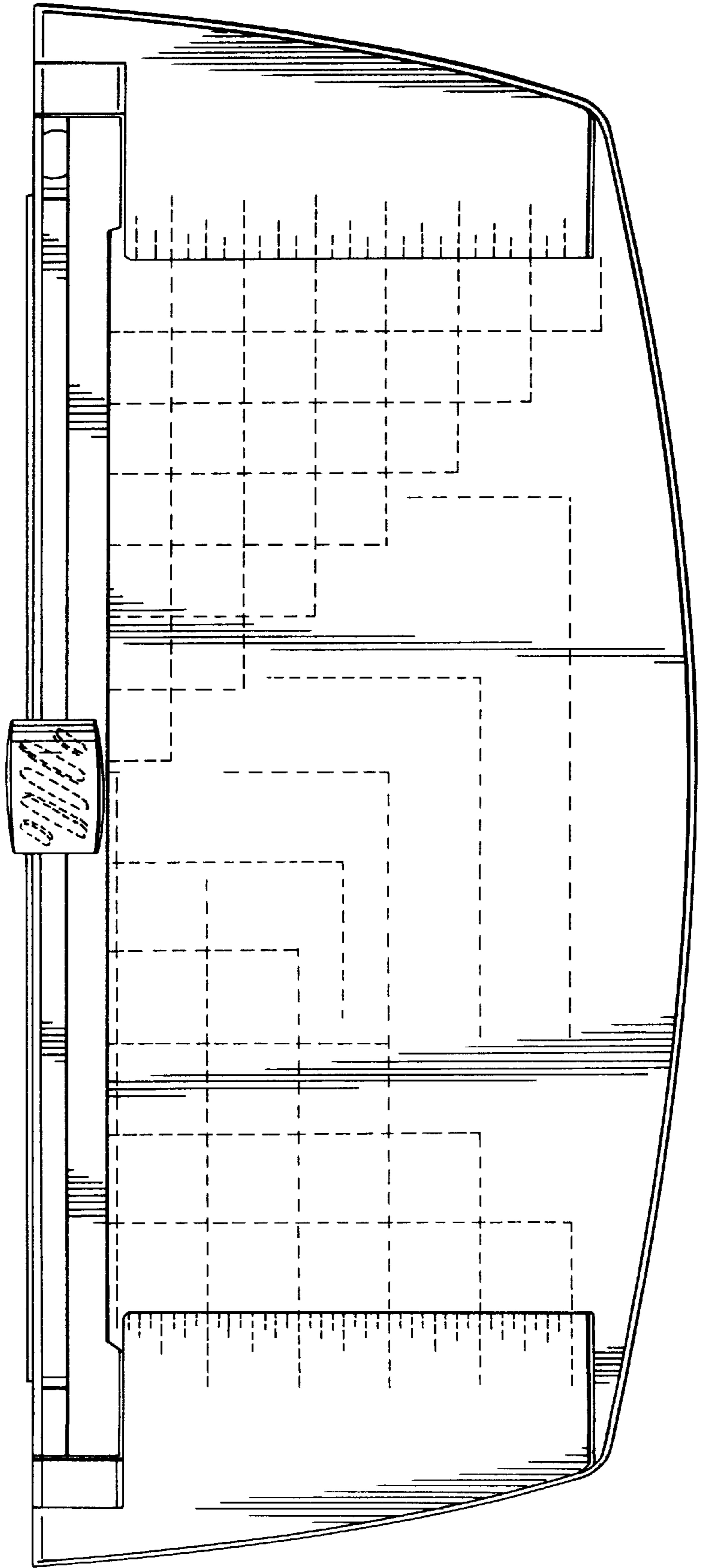


FIG. 1

FIG. 2



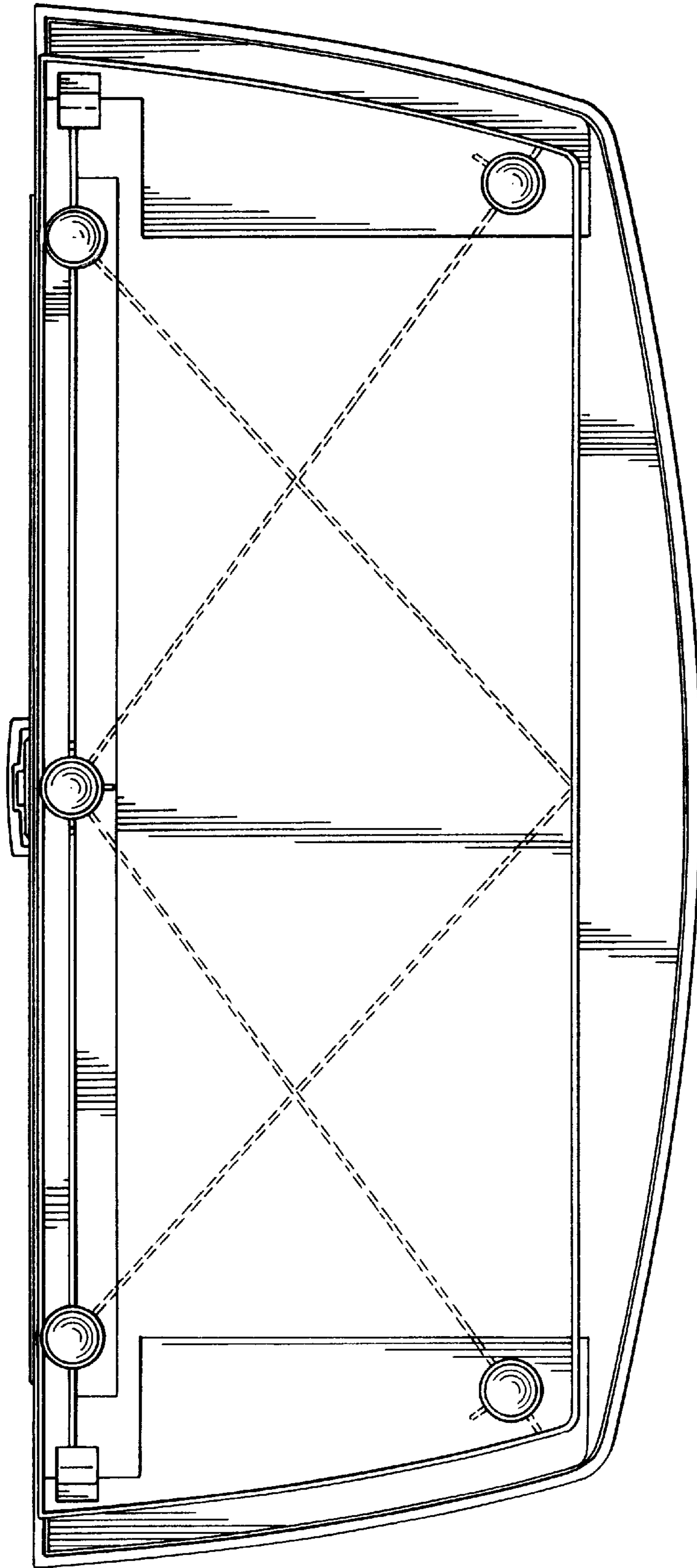


FIG. 3

FIG. 4

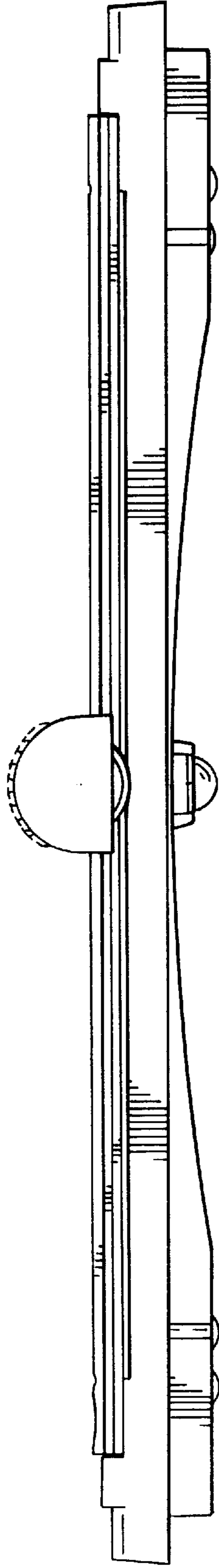


FIG. 5

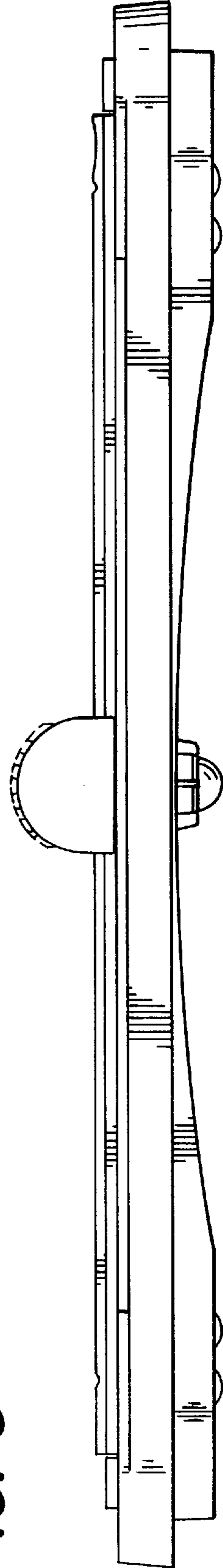


FIG. 6

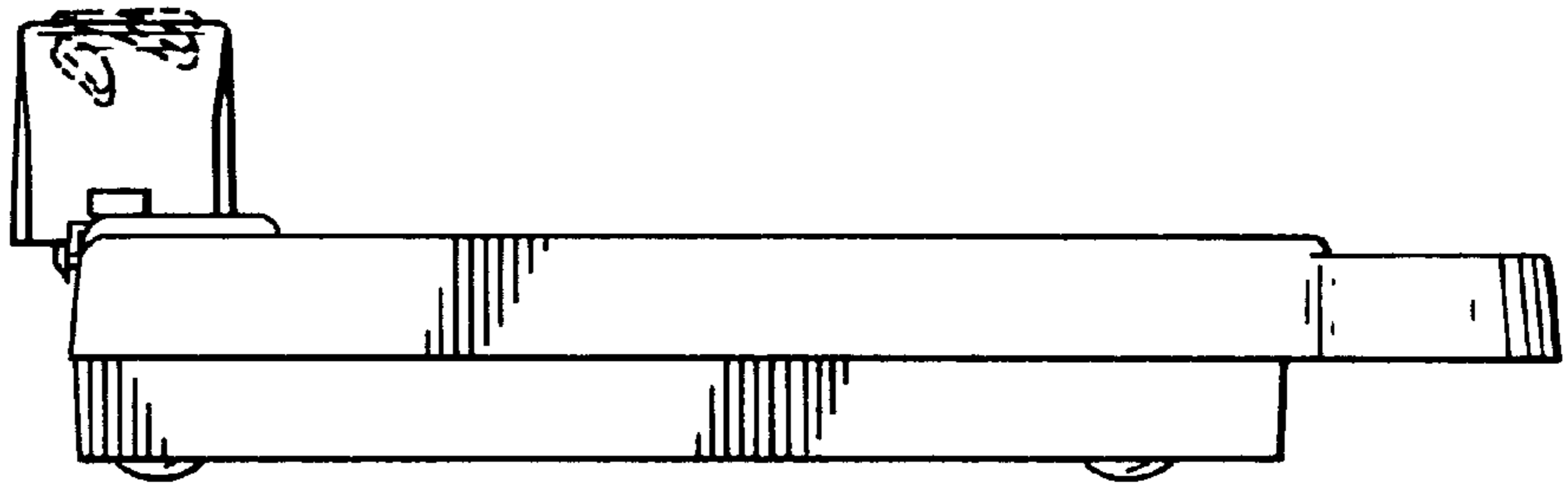


FIG. 7

