



US00D417690S

United States Patent [19] Sobkowiak

[11] **Patent Number: Des. 417,690**

[45] **Date of Patent: ** Dec. 14, 1999**

[54] **GUITAR**

[76] Inventor: **David P Sobkowiak**, 265 King St.,
Pottstown, Pa. 19464

[**] Term: **14 Years**

[21] Appl. No.: **29/095,151**

[22] Filed: **Oct. 15, 1998**

[51] **LOC (6) Cl. 17-03**

[52] **U.S. Cl. D17/14**

[58] **Field of Search D17/14, 18, 19,
D17/20; 84/267, 291, 293**

[56] **References Cited**

U.S. PATENT DOCUMENTS

D. 302,825	8/1989	Riley et al.	D17/14
D. 303,676	9/1989	Westlake	D17/14
D. 350,557	9/1994	Woods	D17/14

OTHER PUBLICATIONS

Music Trades, p. 94 (The Treble Bass guitar), Dec. 1990.
Music Trades, p. 92 (Atlansia Concord Custom guitar), May 1988.

Primary Examiner—Adir Aronovich

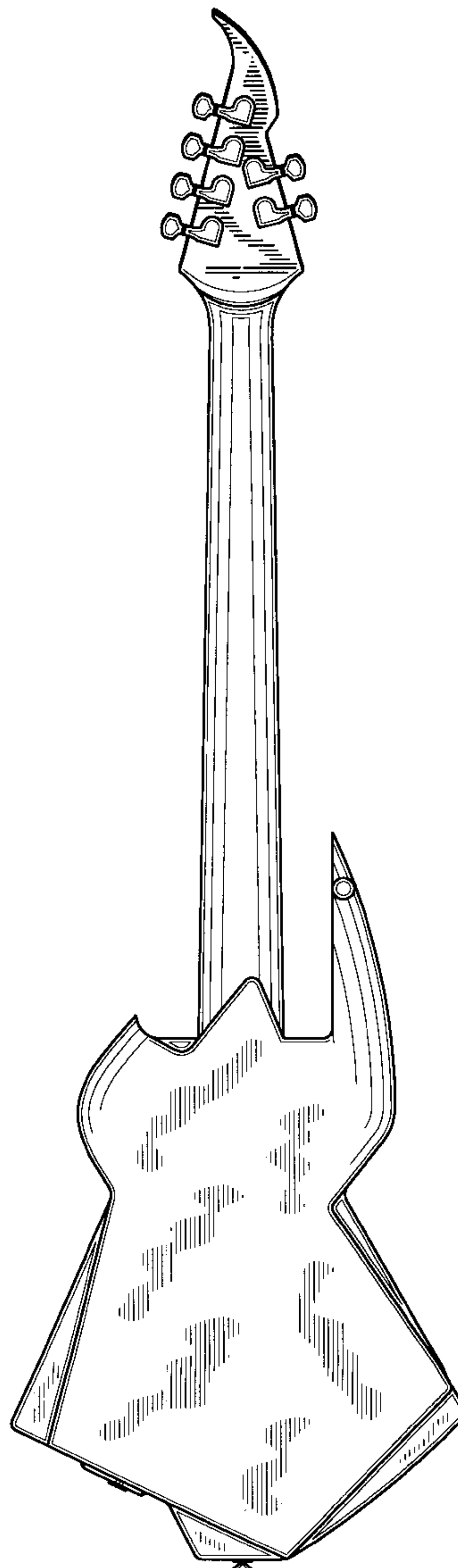
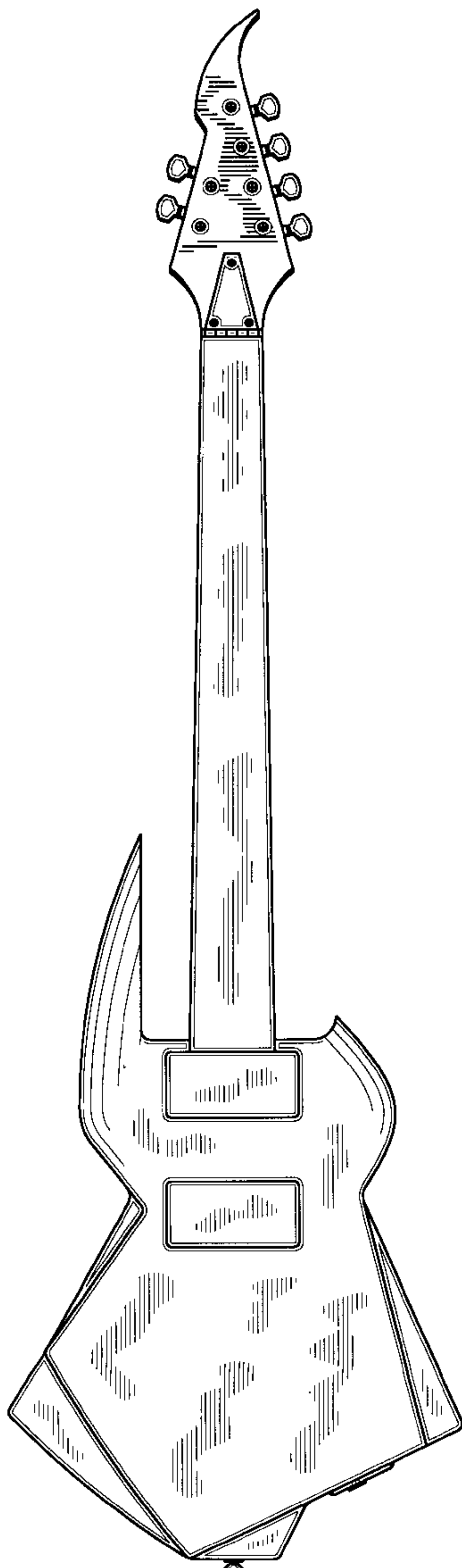
[57] **CLAIM**

The ornamental design for a guitar, as shown.

DESCRIPTION

FIG. 1 is a front elevational view of the guitar of the present invention;
FIG. 2 is a back elevational view of the guitar of FIG. 1;
FIG. 3 is a left side elevational view of the guitar of FIG. 1;
FIG. 4 is a right side elevational view of the guitar of FIG. 1;
FIG. 5 is a top plan view of the guitar of FIG. 1; and,
FIG. 6 is a bottom plan view of the guitar of FIG. 1.

1 Claim, 3 Drawing Sheets



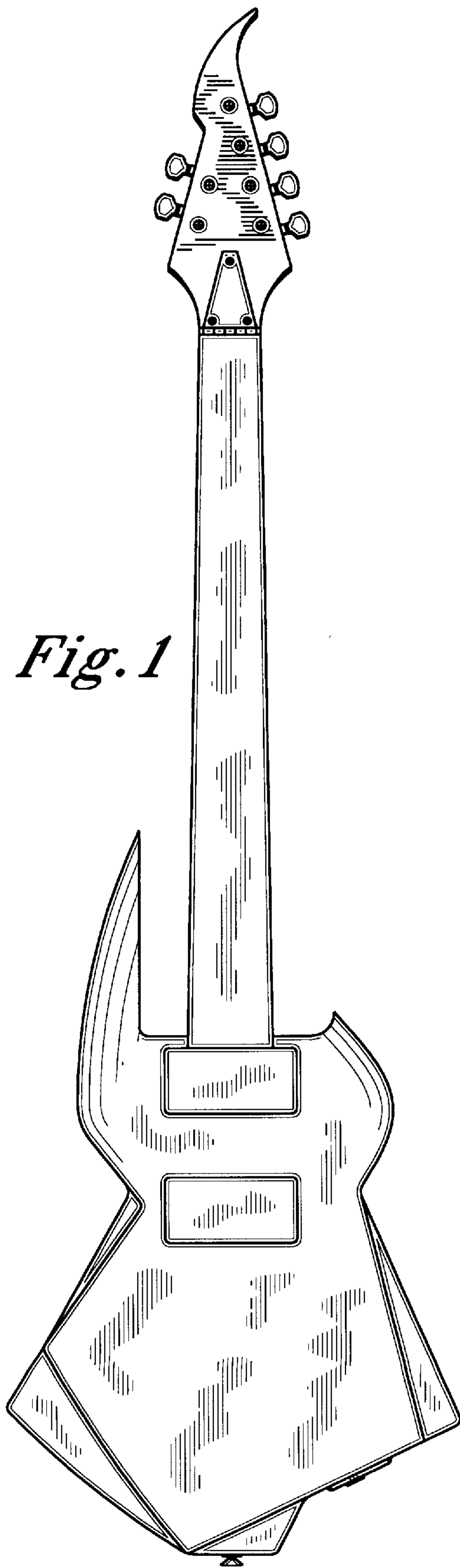


Fig. 1

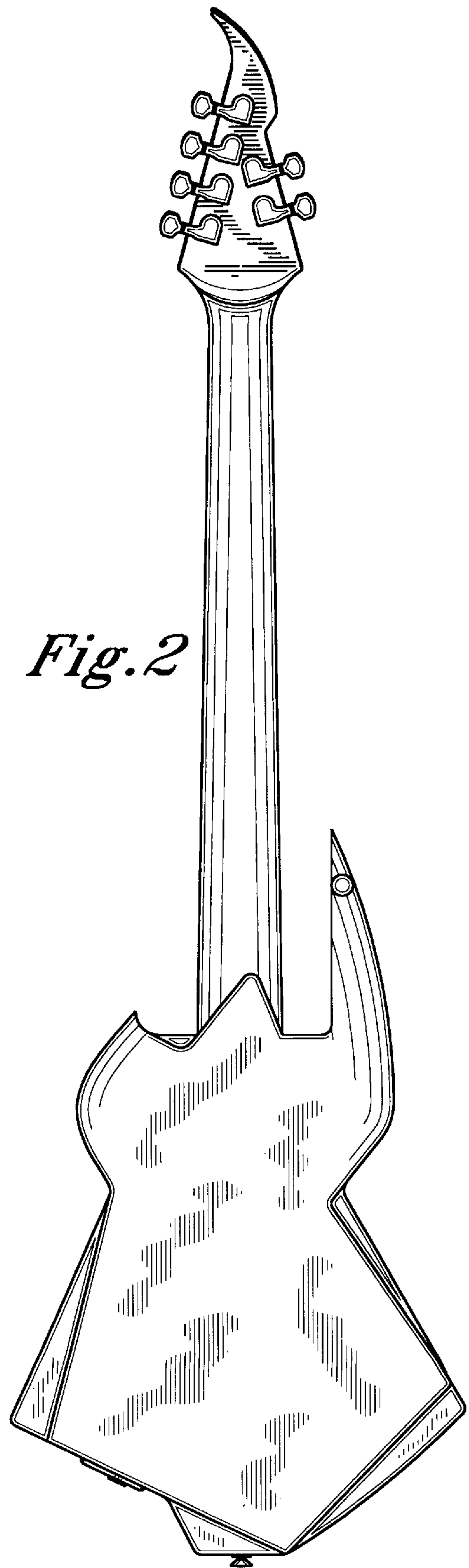


Fig. 2

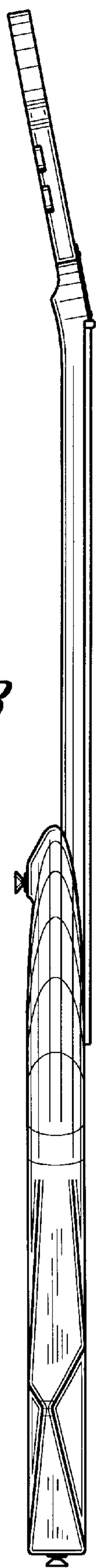


Fig. 3

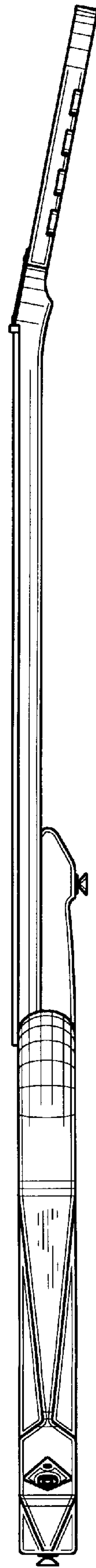


Fig. 4

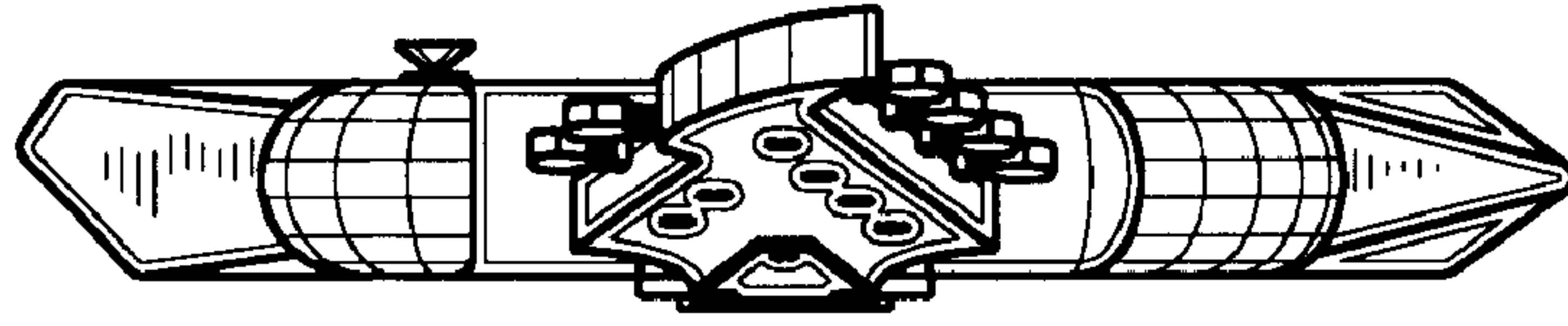


Fig. 5

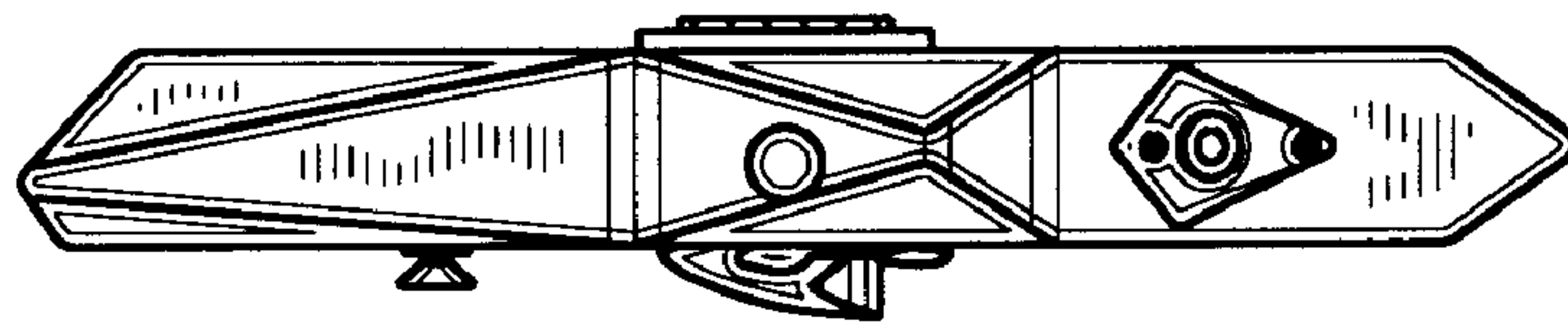


Fig. 6