



US00D417689S

**United States Patent** [19]  
**Katz**

[11] **Patent Number: Des. 417,689**

[45] **Date of Patent: \*\* Dec. 14, 1999**

[54] **ILLUMINATION UNIT FOR AN INSTRUMENT**

[76] Inventor: **Jeffrey Scott Katz**, 6265 Mamie Dr., Pickerington, Ohio 43147

[\*\*] Term: **14 Years**

[21] Appl. No.: **29/044,868**

[22] Filed: **Oct. 2, 1995**

[51] **LOC (6) Cl. .... 17-02**

[52] **U.S. Cl. .... D17/13; D26/38**

[58] **Field of Search .... D17/10, 11, 12, D17/13; D26/38; 362/157, 158, 183-208**

[56] **References Cited**

**U.S. PATENT DOCUMENTS**

69,112	12/1925	Buskey .	
D. 167,301	7/1952	Boos .....	D17/13
1,280,325	10/1918	Stewart .	
1,602,710	10/1926	Saunders .	
2,807,182	9/1957	Briggs .....	D17/13
4,091,706	5/1978	Ludwig .	
4,247,283	1/1981	Vidas .	

*Primary Examiner*—Marcus A. Jackson

[57] **CLAIM**

The ornamental design for an illumination unit for an instrument, as shown and described.

**DESCRIPTION**

FIG. 1 is a perspective view of an illumination unit for an instrument showing my new design, with the broken line showing for illustrative purposes only and forming no part of the claimed design;

FIG. 2 is a left side elevational view thereof, with the opposite side being a mirror image;

FIG. 3 is a front elevational view thereof;

FIG. 4 is an enlarged perspective view thereof;

FIG. 5 is a perspective view of a second embodiment thereof;

FIG. 6 is a front elevational view of a third embodiment thereof;

FIG. 7 is a front elevational view of a fourth embodiment thereof;

FIG. 8 is a front elevational view of a fifth embodiment thereof;

FIG. 9 is a front elevational view of a sixth embodiment thereof;

FIG. 10 is a front elevational view of a seventh embodiment thereof; and,

FIG. 11 is a front elevational view of an eighth embodiment thereof.

**1 Claim, 4 Drawing Sheets**

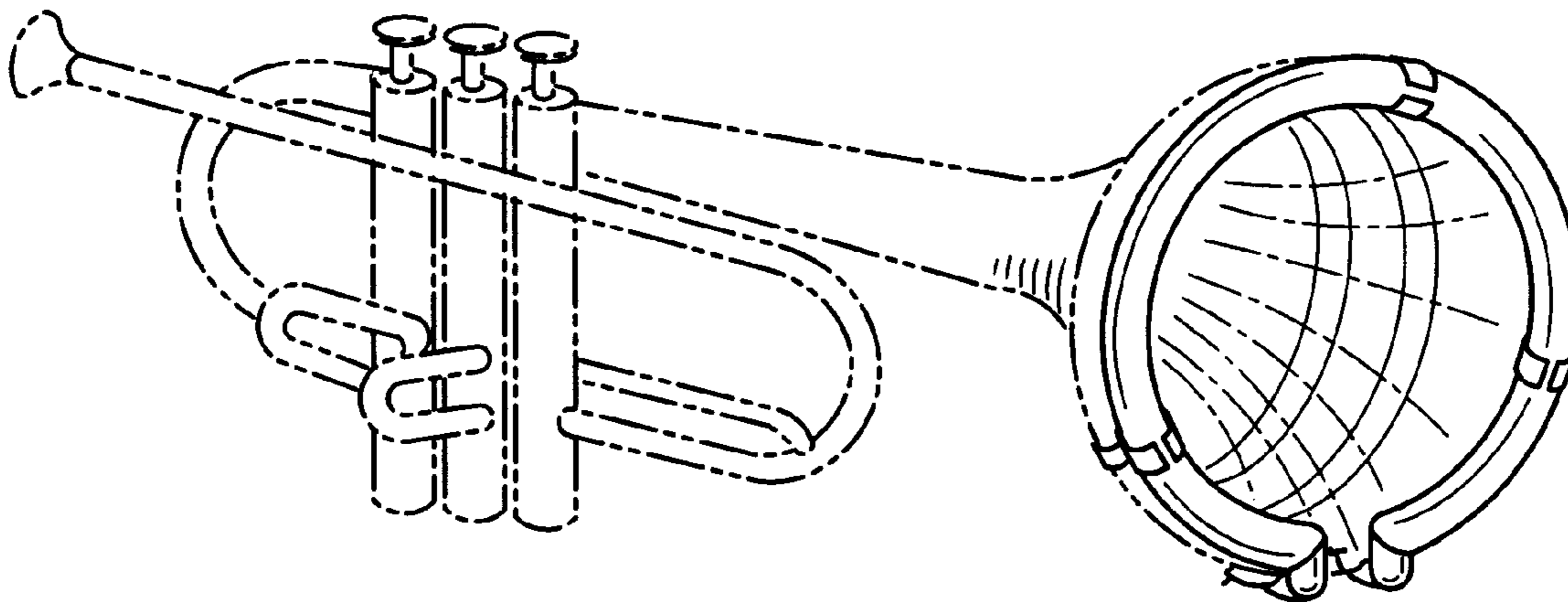


FIG. 1

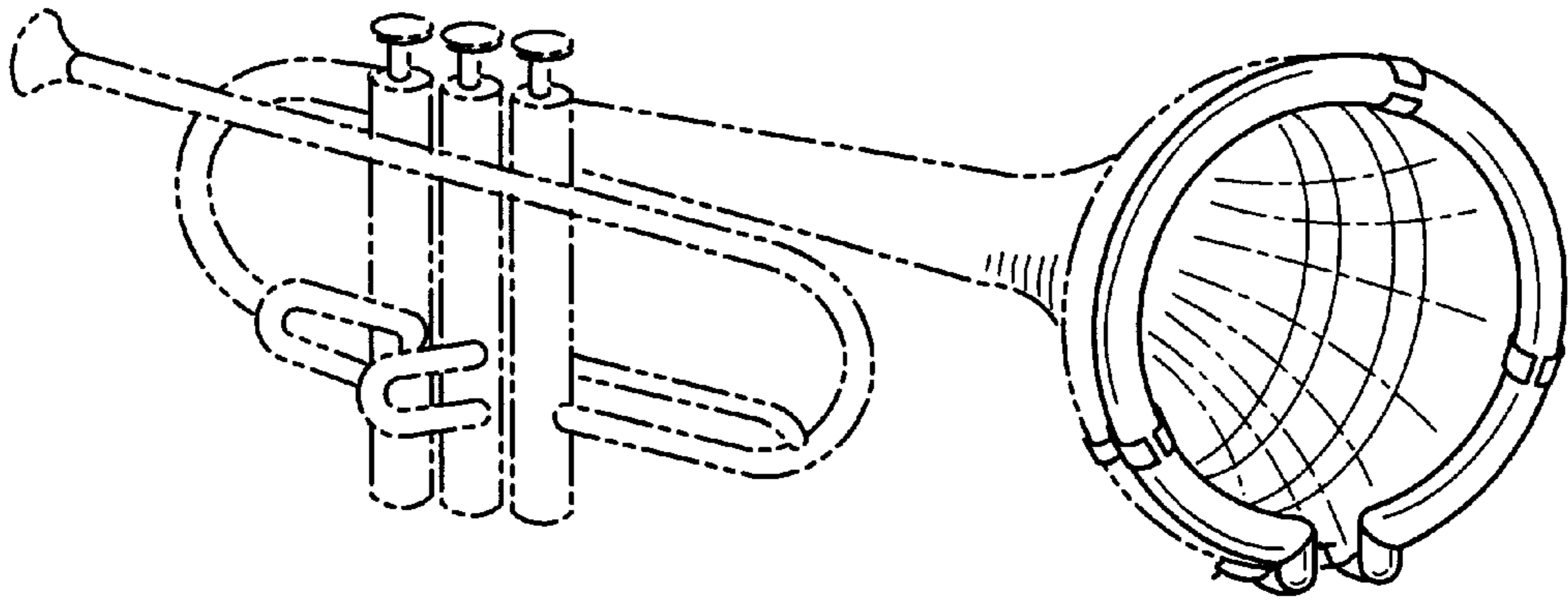


FIG. 2

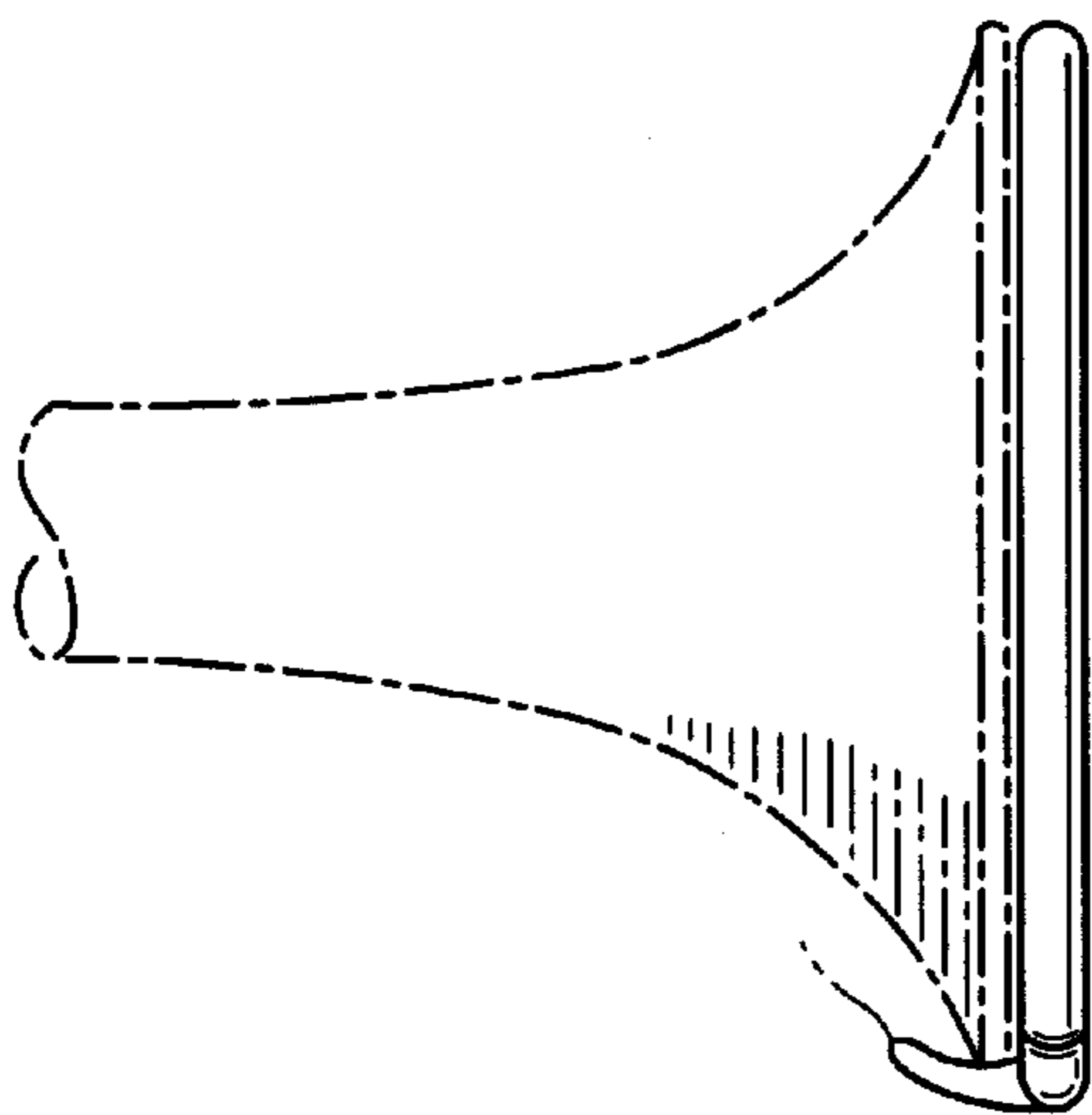


FIG. 3

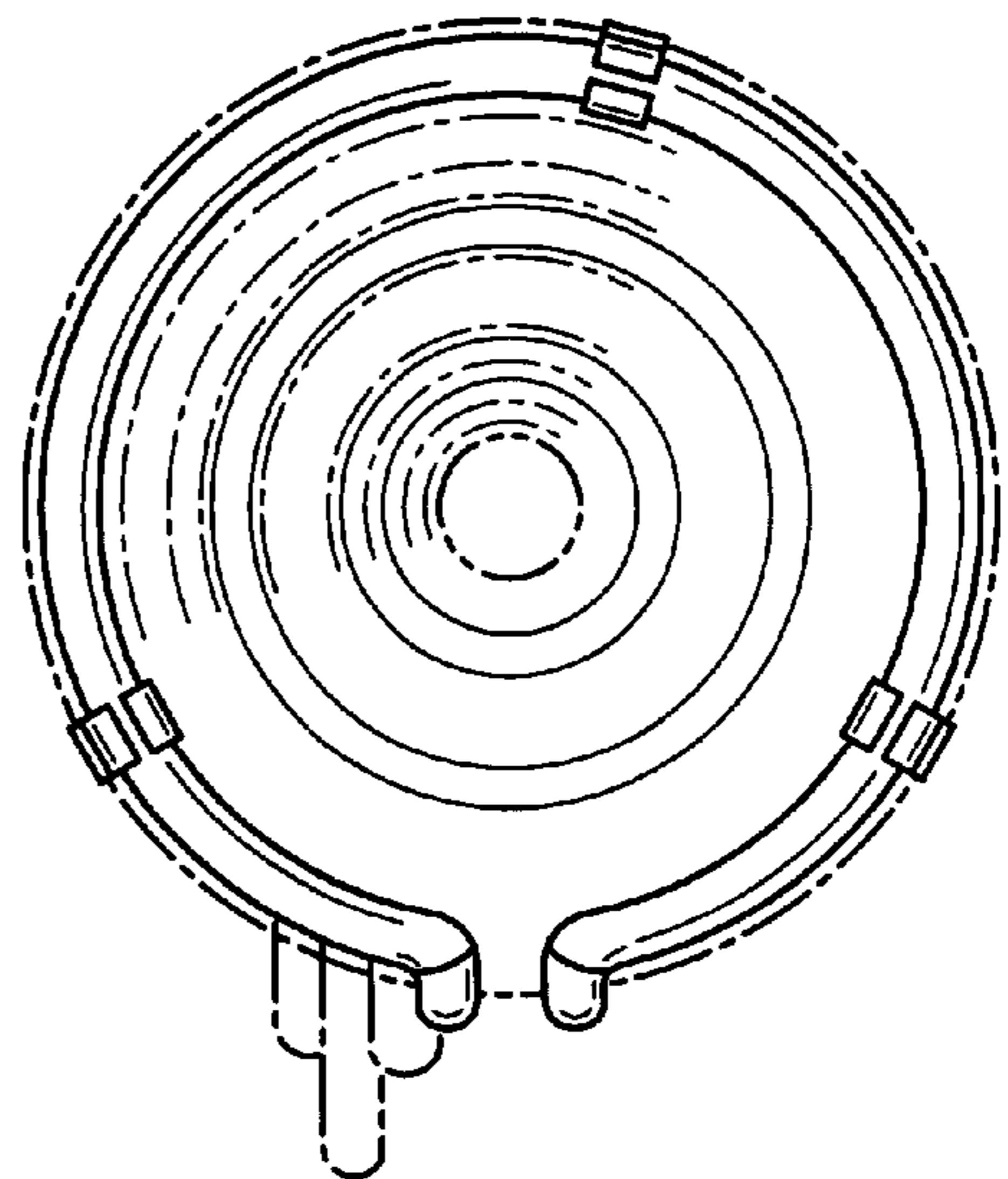


FIG. 4

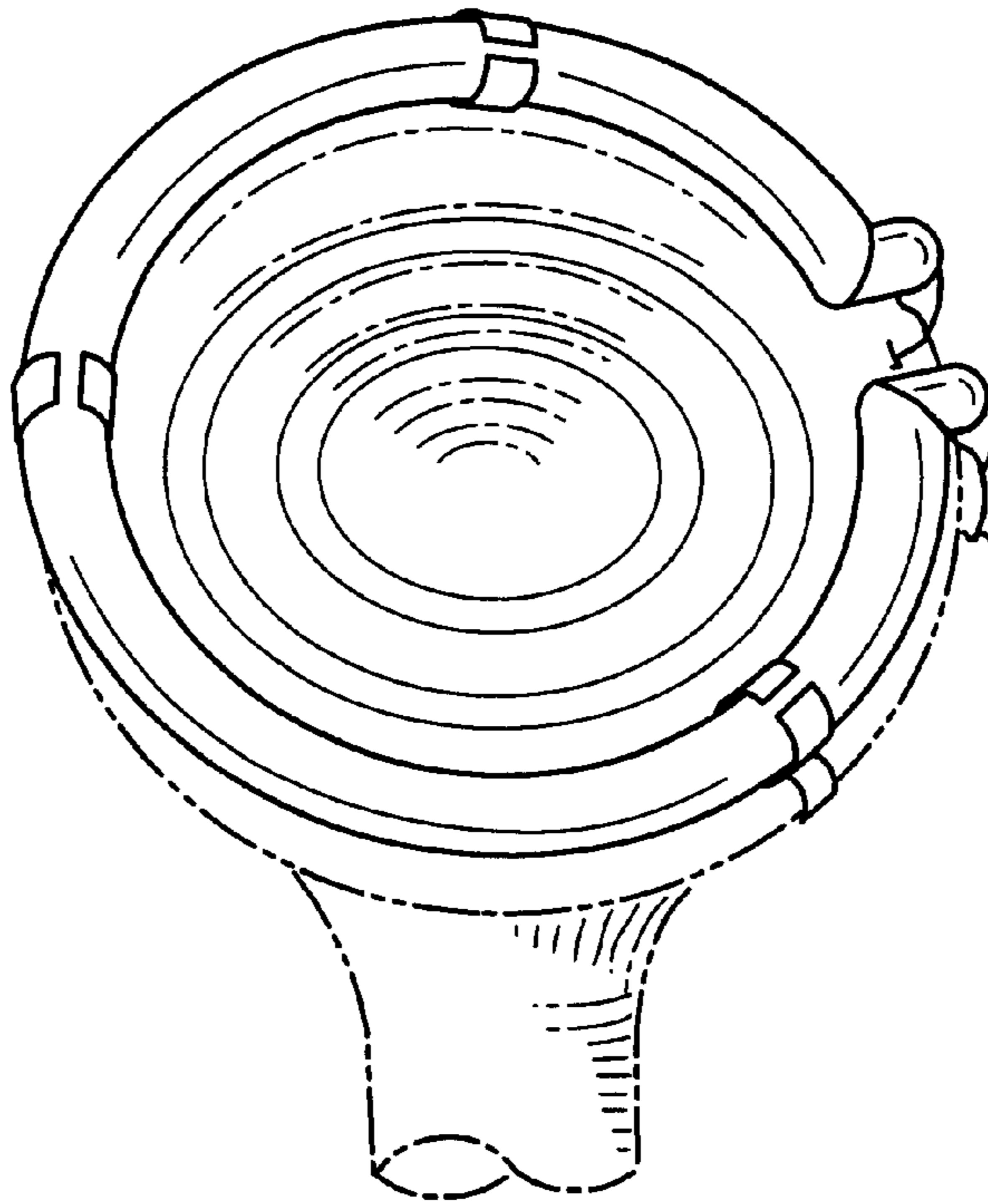


FIG. 5

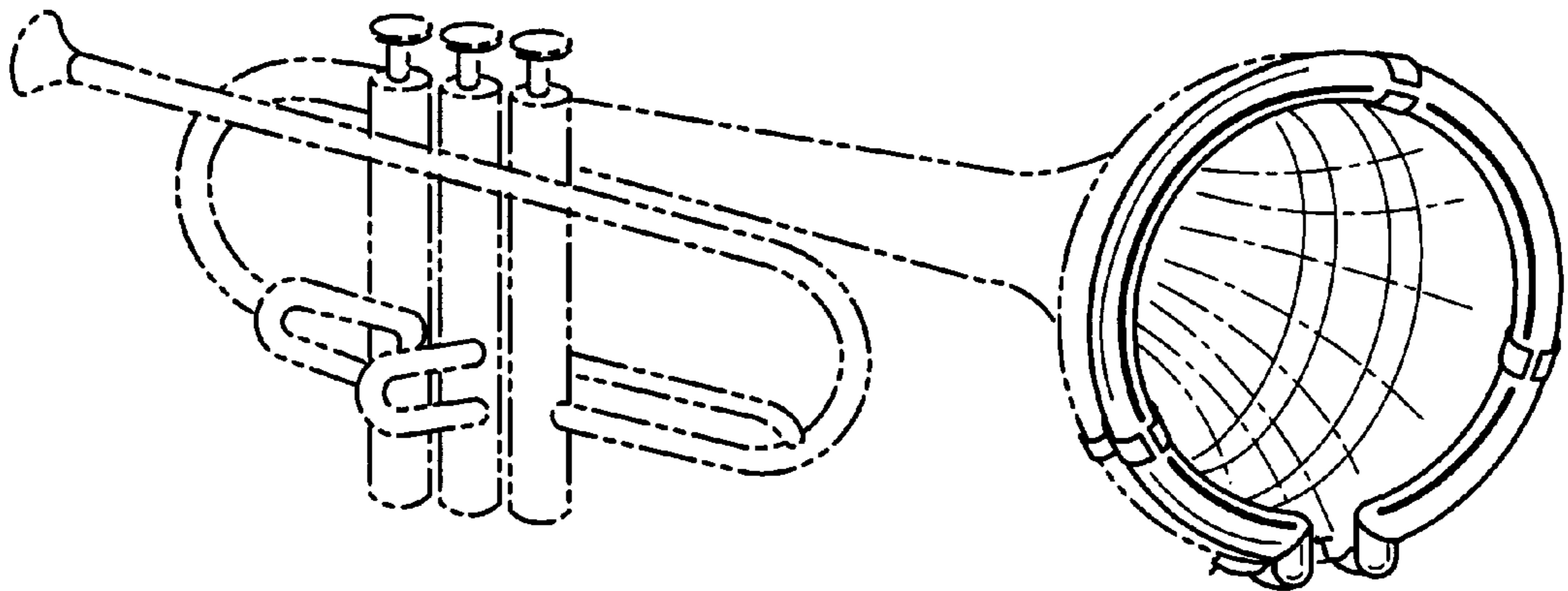


FIG. 6

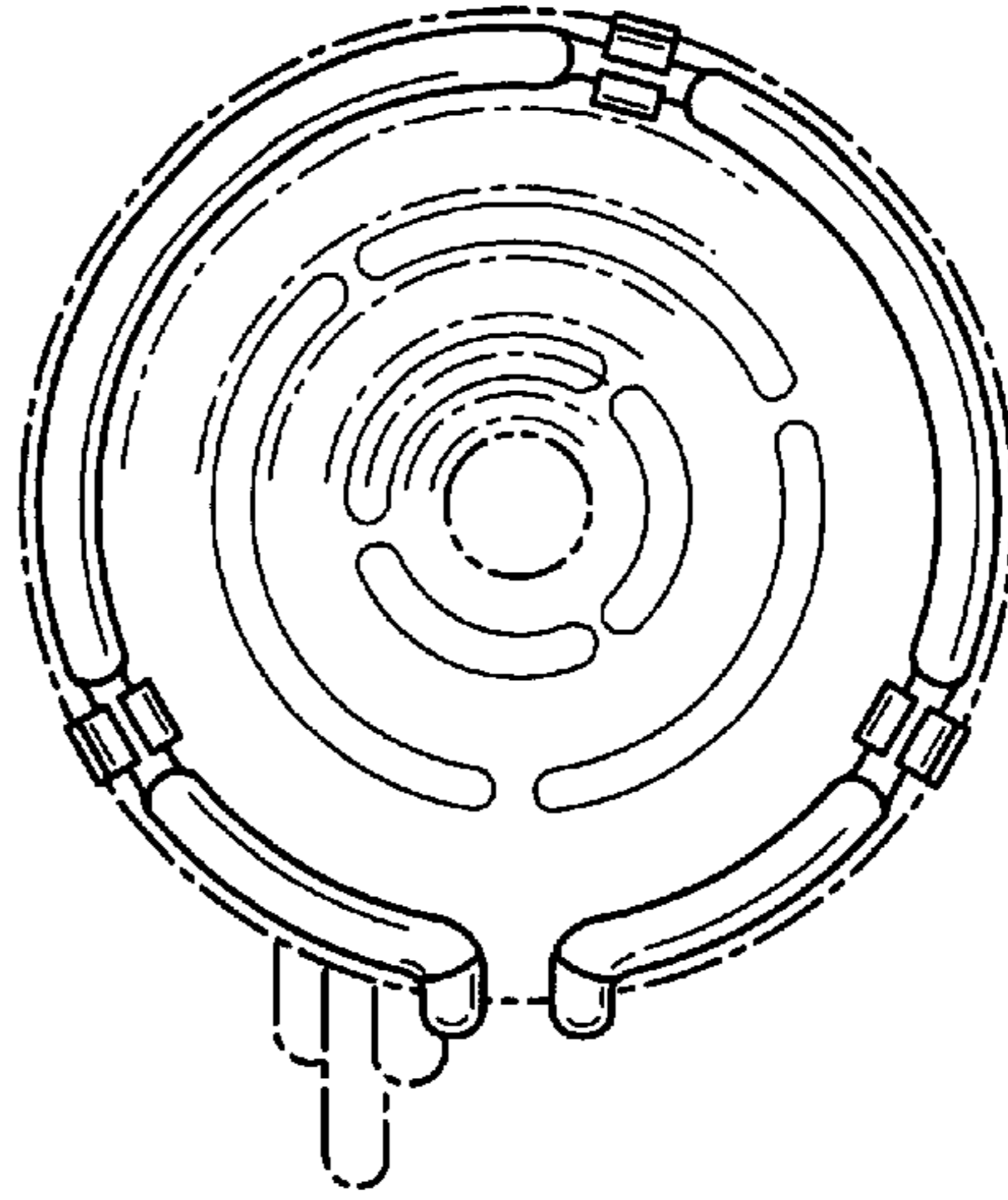


FIG. 7

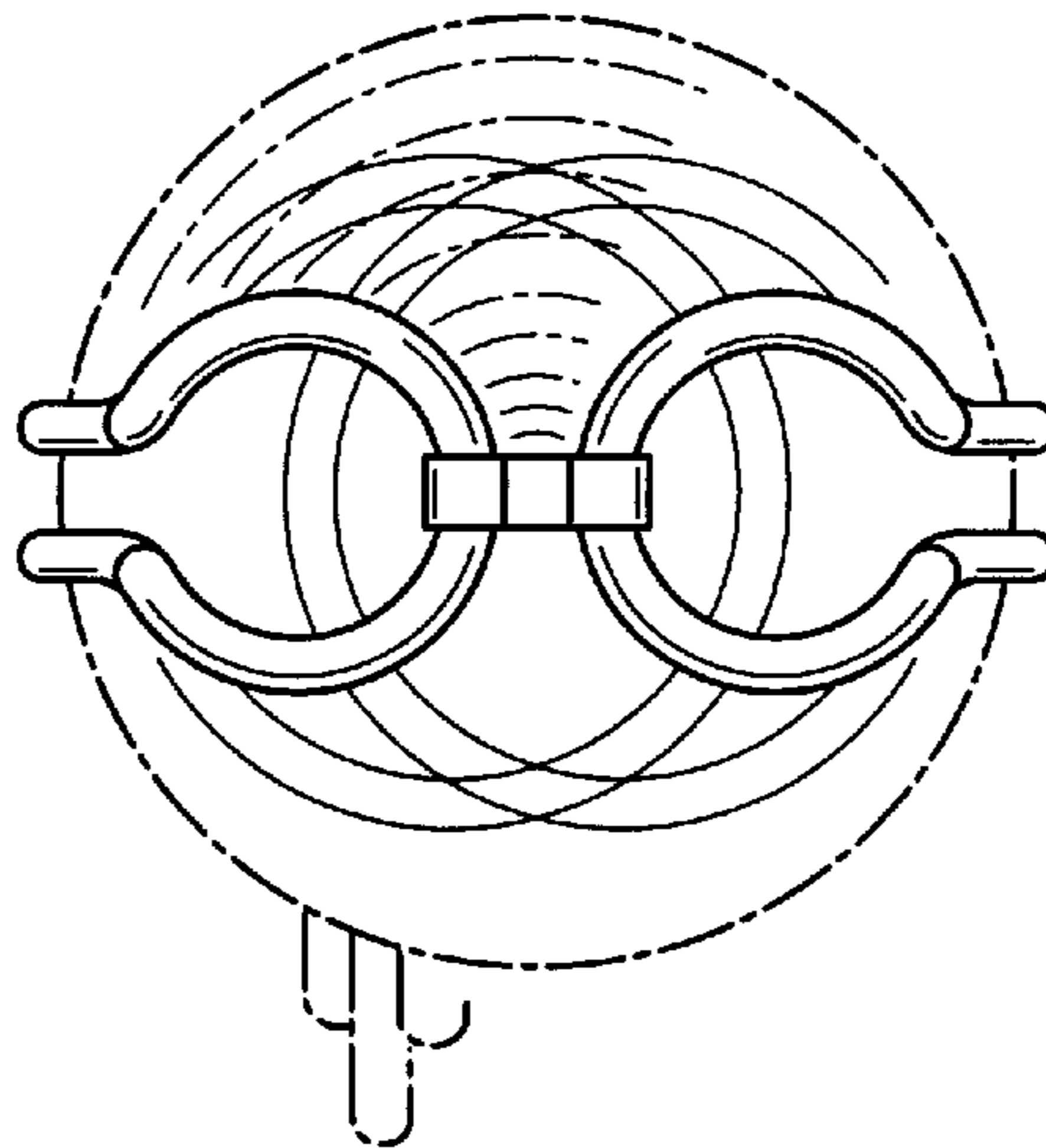


FIG. 8

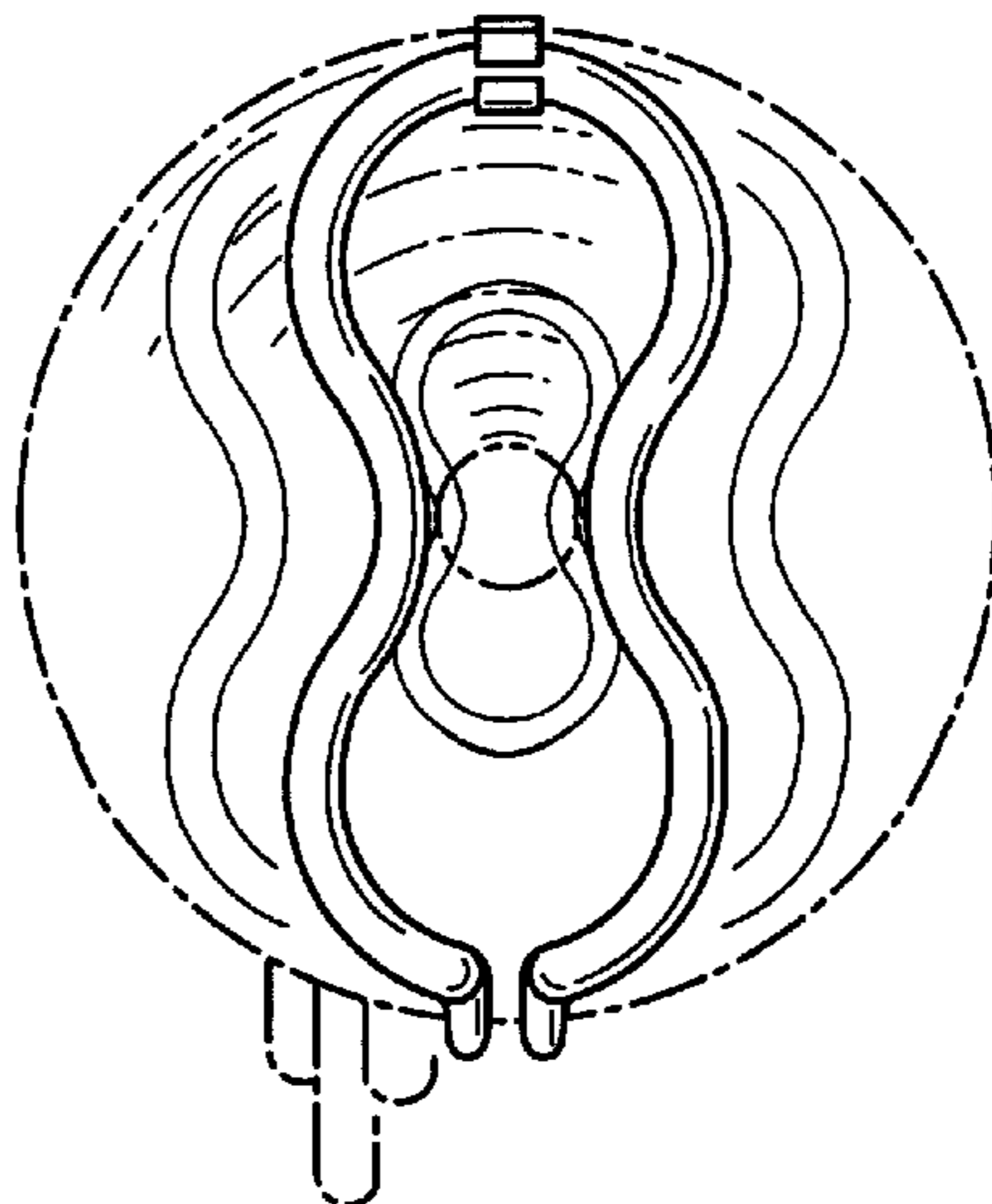


FIG. 9

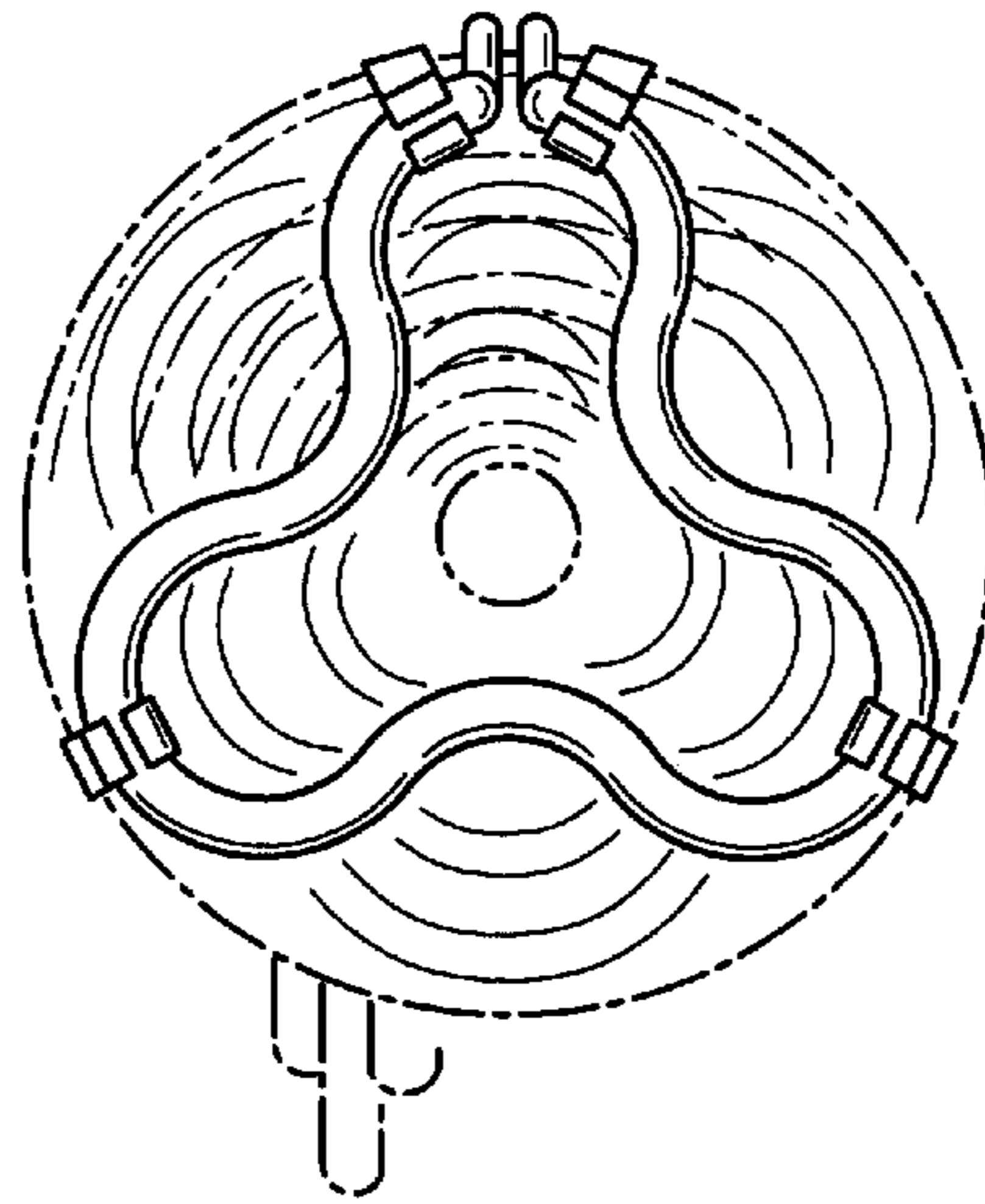


FIG. 10

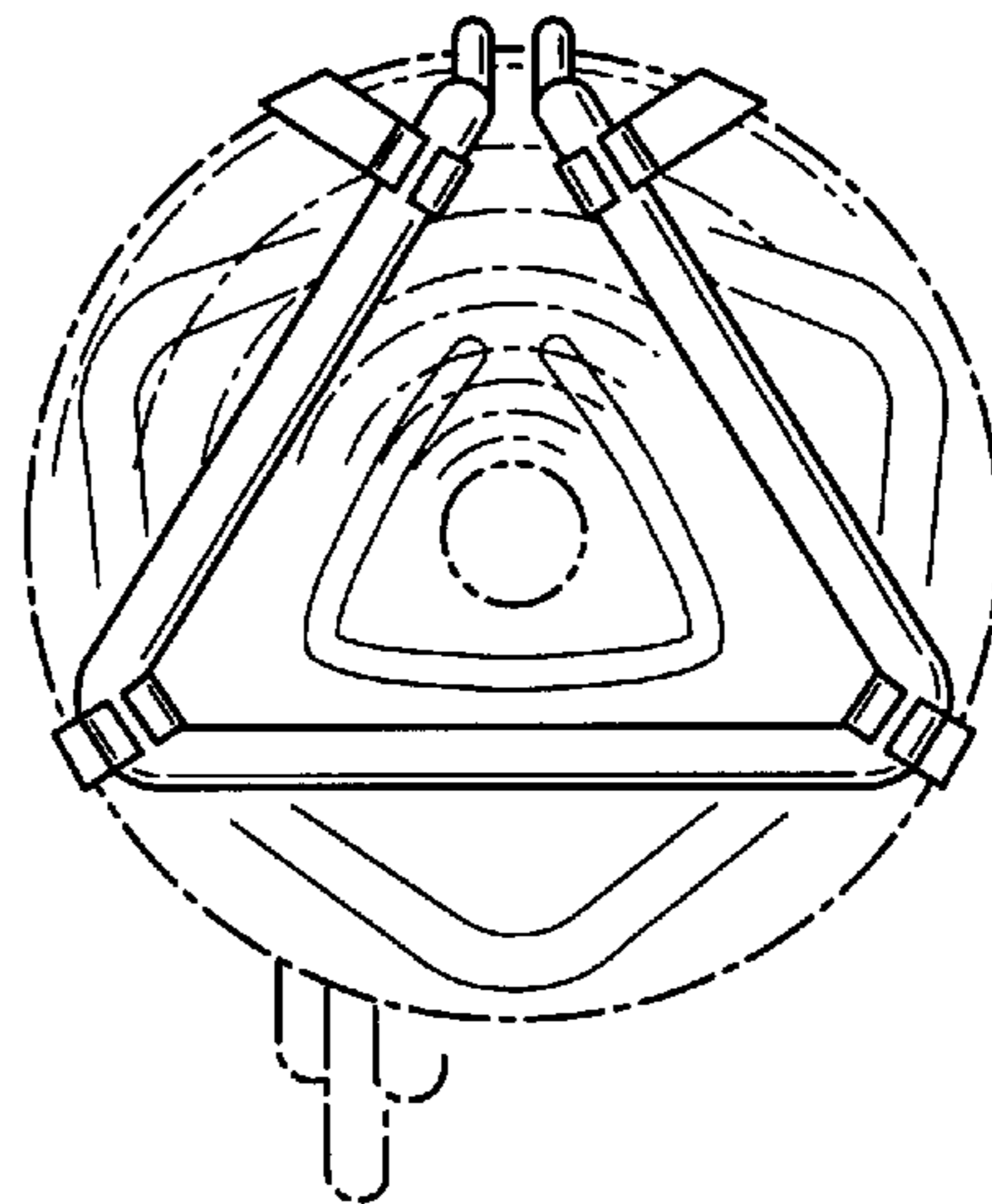


FIG. 11

