



US00D417682S

United States Patent [19]
Goff et al.

[11] **Patent Number: Des. 417,682**

[45] **Date of Patent: ** Dec. 14, 1999**

[54] **MAGNIFIER STAND**

[75] Inventors: **James A. Goff**, Webster; **Richard J. Stryker**, Scottsville; **Howard Scott Ryan**, Skaneateles, all of N.Y.; **Carl Fisherman**, Franklin Lake, N.J.

[73] Assignee: **Bausch & Lomb Incorporated**, Rochester, N.Y.

[**] Term: **14 Years**

[21] Appl. No.: **29/101,864**

[22] Filed: **Mar. 12, 1999**

[51] **LOC (6) Cl.** **16-06**

[52] **U.S. Cl.** **D16/136; D16/135**

[58] **Field of Search** D16/130, 134, D16/135, 136; 359/708, 737, 802, 804, 811, 812, 807, 806, 813, 817, 816, 819, 823; 40/362, 365; 248/471, 166

[56] **References Cited**

U.S. PATENT DOCUMENTS

D. 135,421	4/1943	Austin	D16/135
D. 306,175	2/1990	Steel et al.	D16/135
D. 336,909	6/1993	Sakurai	D16/135
D. 363,300	10/1995	Schwartz	D16/135
D. 399,515	10/1998	Kung	D16/135
597,758	1/1898	Bausch .		
839,599	12/1906	Kemler .		
1,557,605	10/1925	O'Meara	359/812
1,612,693	12/1926	Bausch .		
1,702,317	2/1929	Rose .		
2,682,806	7/1954	Gordenier .		
4,120,564	10/1978	Rios .		
4,336,916	6/1982	Blanchard .		
4,379,618	4/1983	Tall .		
4,923,282	5/1990	Spitzberg .		
4,944,574	7/1990	Roote et al.	359/802
4,991,935	2/1991	Sakurai	359/802
5,119,239	6/1992	Iaquinto et al. .		
5,267,716	12/1993	Friedman .		
5,610,770	3/1997	Galiani .		

Primary Examiner—Paula A. Mortimer
Attorney, Agent, or Firm—Mary Anne Magee

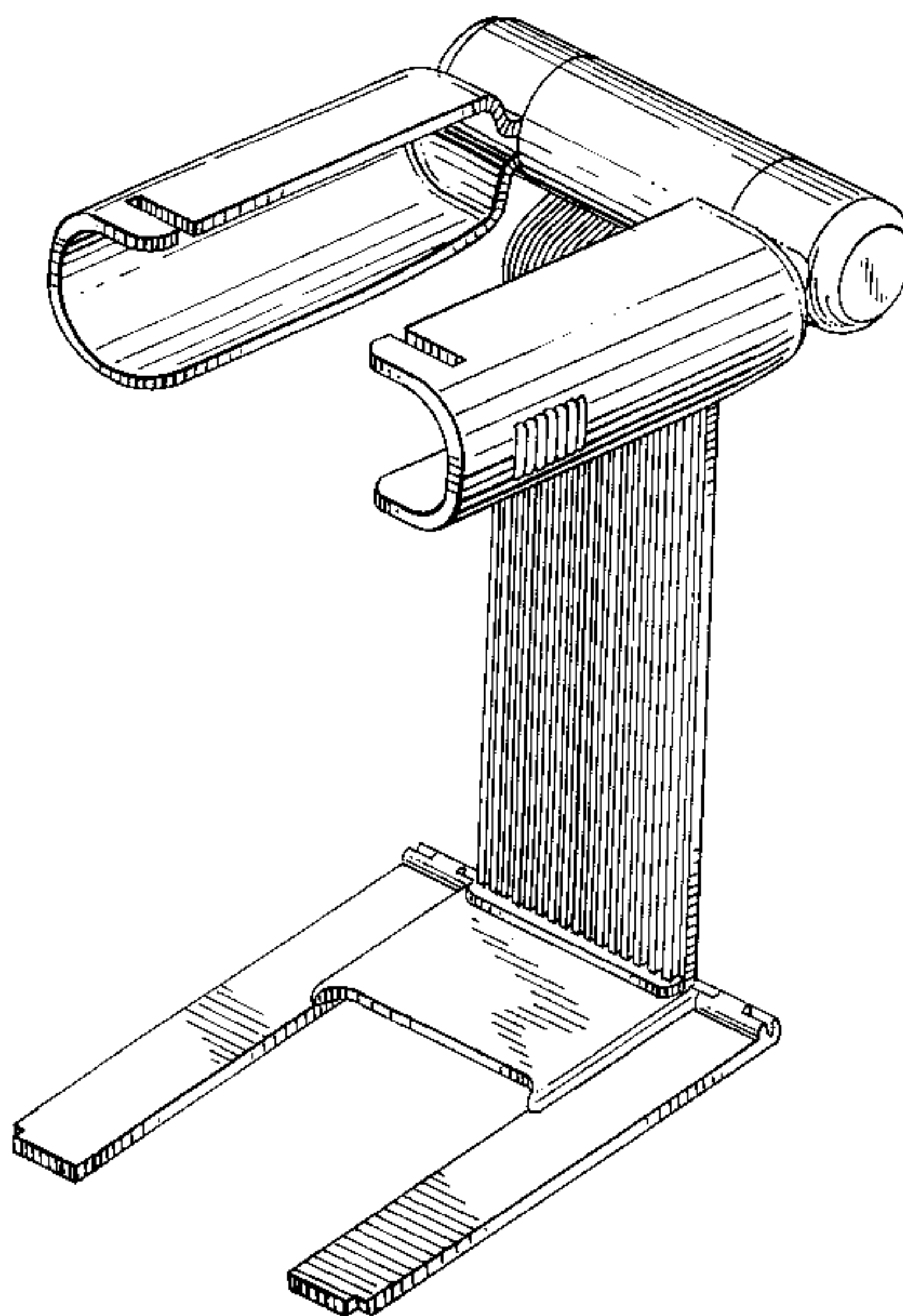
[57] **CLAIM**

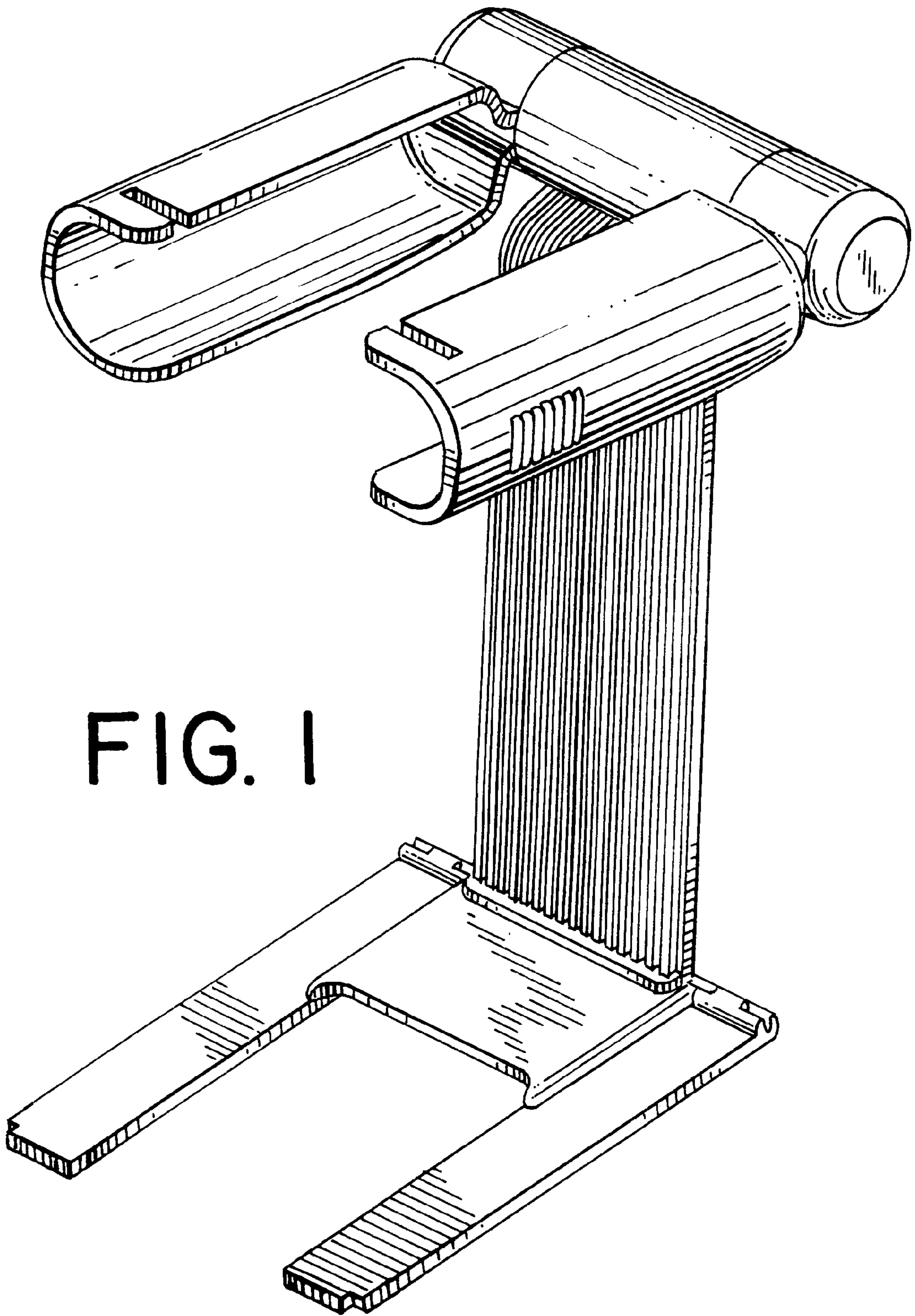
The ornamental design for magnifier stand, as shown and described.

DESCRIPTION

FIG. 1 is a perspective view of the stand assembled in a first position;
 FIG. 2 is a side elevational view thereof, the opposite side being a mirror image;
 FIG. 3 is a top plan view thereof;
 FIG. 4 is a bottom plan view thereof;
 FIG. 5 is a front elevational view thereof;
 FIG. 6 is a rear elevational view thereof;
 FIG. 7 is a perspective view of the stand assembled in a second position;
 FIG. 8 is a side elevational view thereof, the opposite side being a mirror image;
 FIG. 9 is a top plan view thereof;
 FIG. 10 is a front elevational view thereof;
 FIG. 11 is a rear elevational view thereof;
 FIG. 12 is a perspective view of the stand assembled in a third position;
 FIG. 13 is a side elevational view thereof, the opposite side being a mirror image;
 FIG. 14 is a top plan view thereof;
 FIG. 15 is a bottom plan view thereof;
 FIG. 16 is a front elevational view thereof;
 FIG. 17 is a rear elevational view thereof;
 FIG. 18 is a perspective view of the stand assembled in a fourth position;
 FIG. 19 is a side elevational view thereof, the opposite side being a mirror image;
 FIG. 20 is a top plan view thereof;
 FIG. 21 is a bottom plan view thereof;
 FIG. 22 is a front elevational view thereof; and,
 FIG. 23 is a rear elevational view thereof.

1 Claim, 14 Drawing Sheets





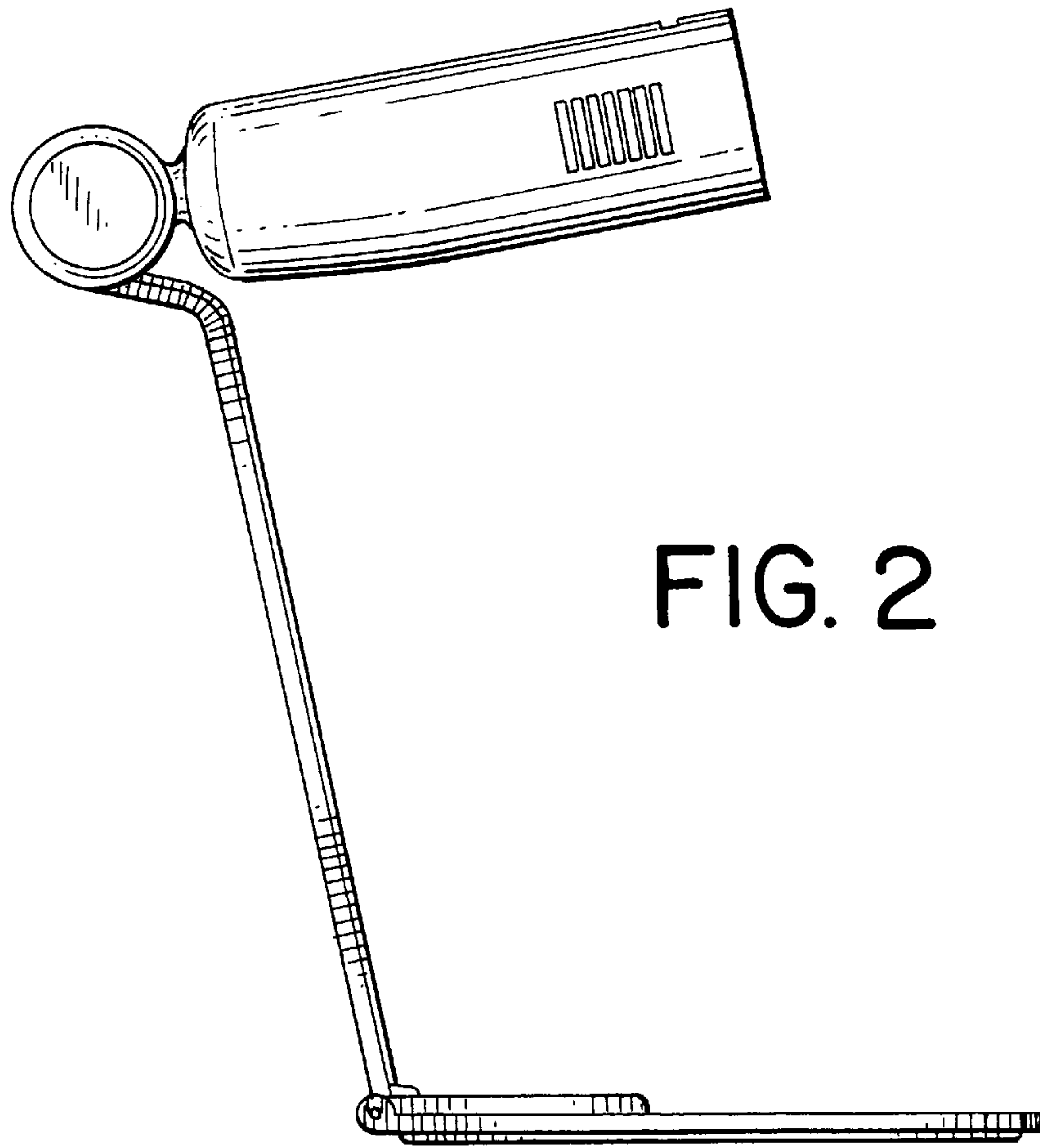


FIG. 2

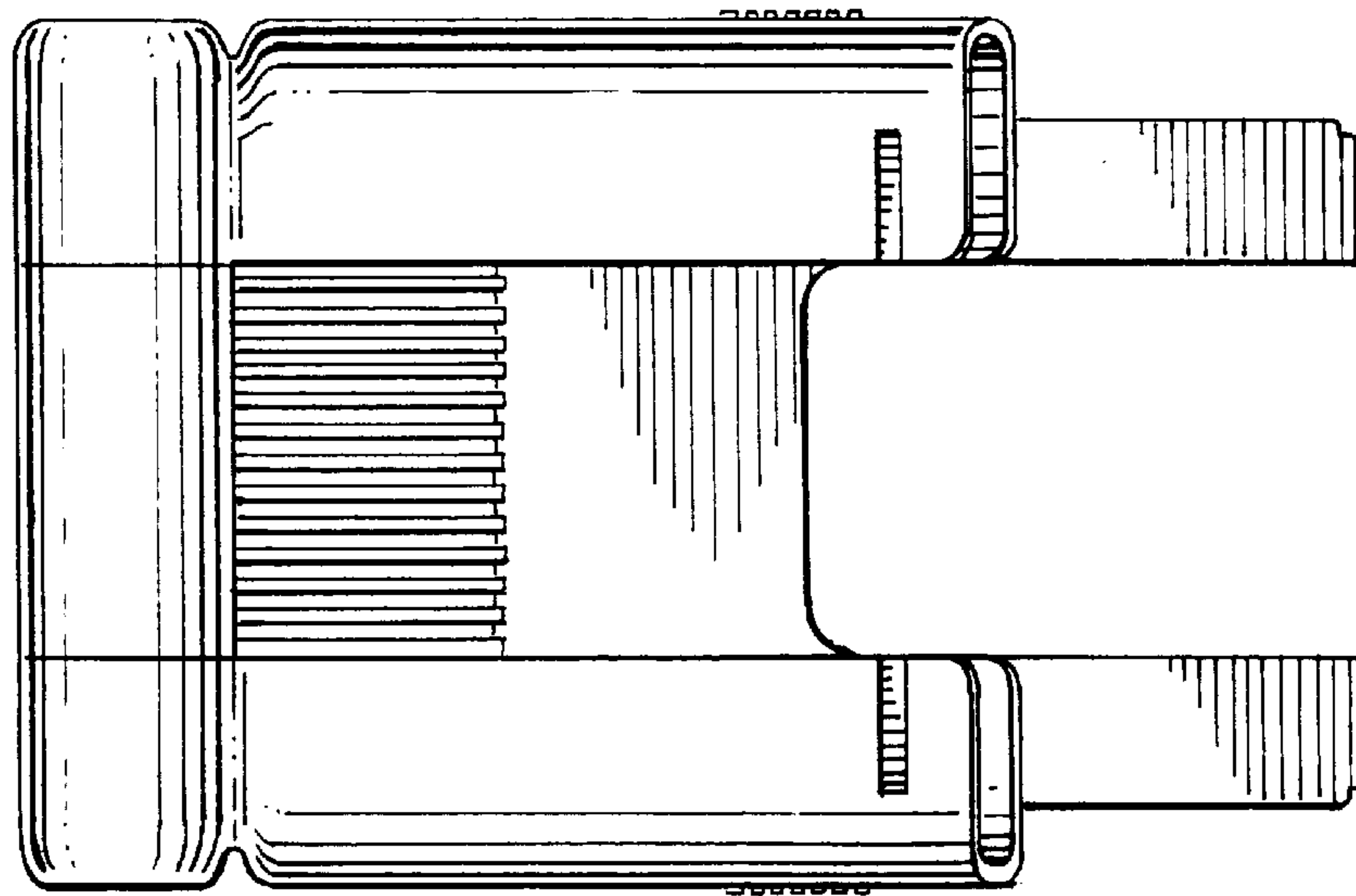


FIG. 3

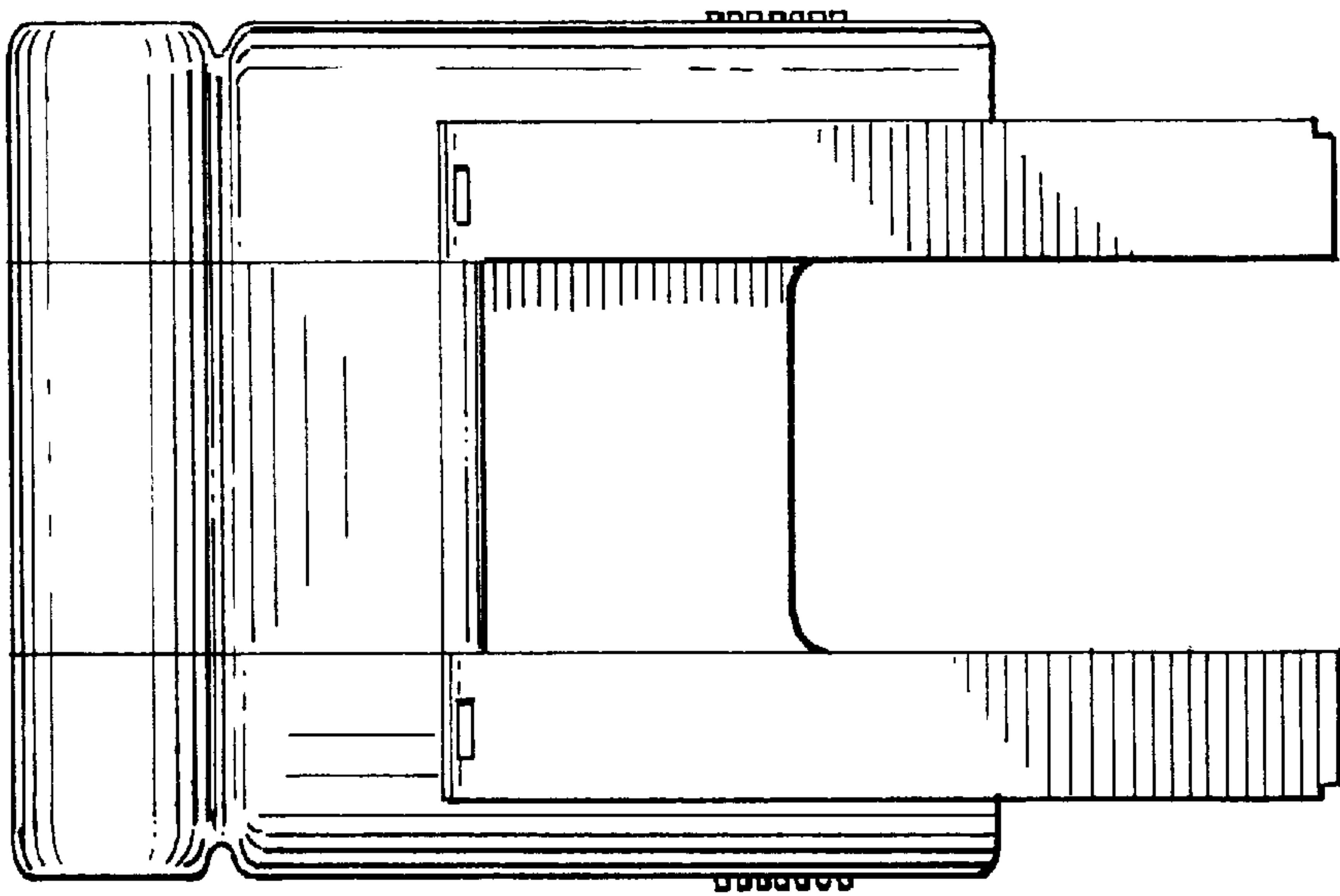


FIG. 4

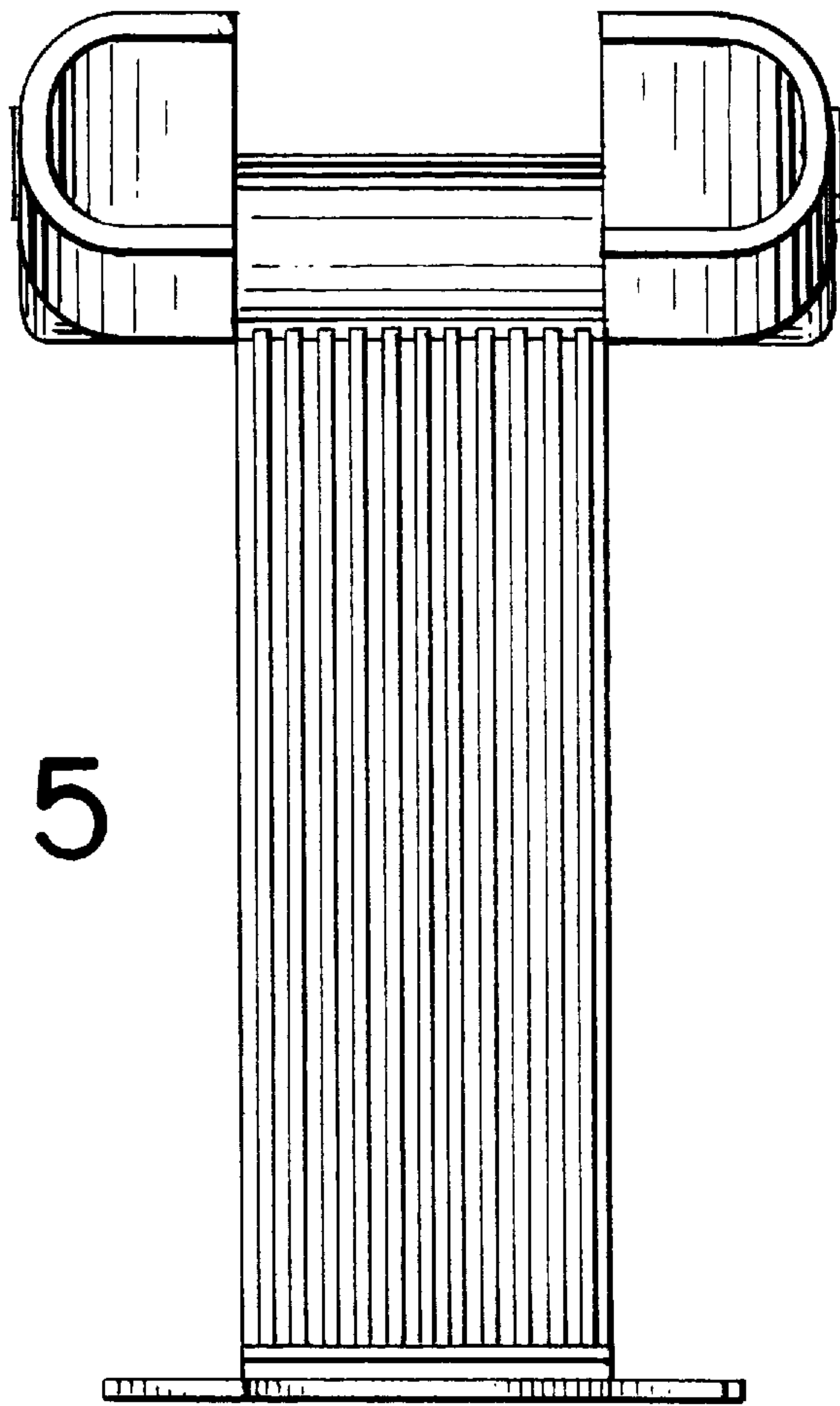


FIG. 5

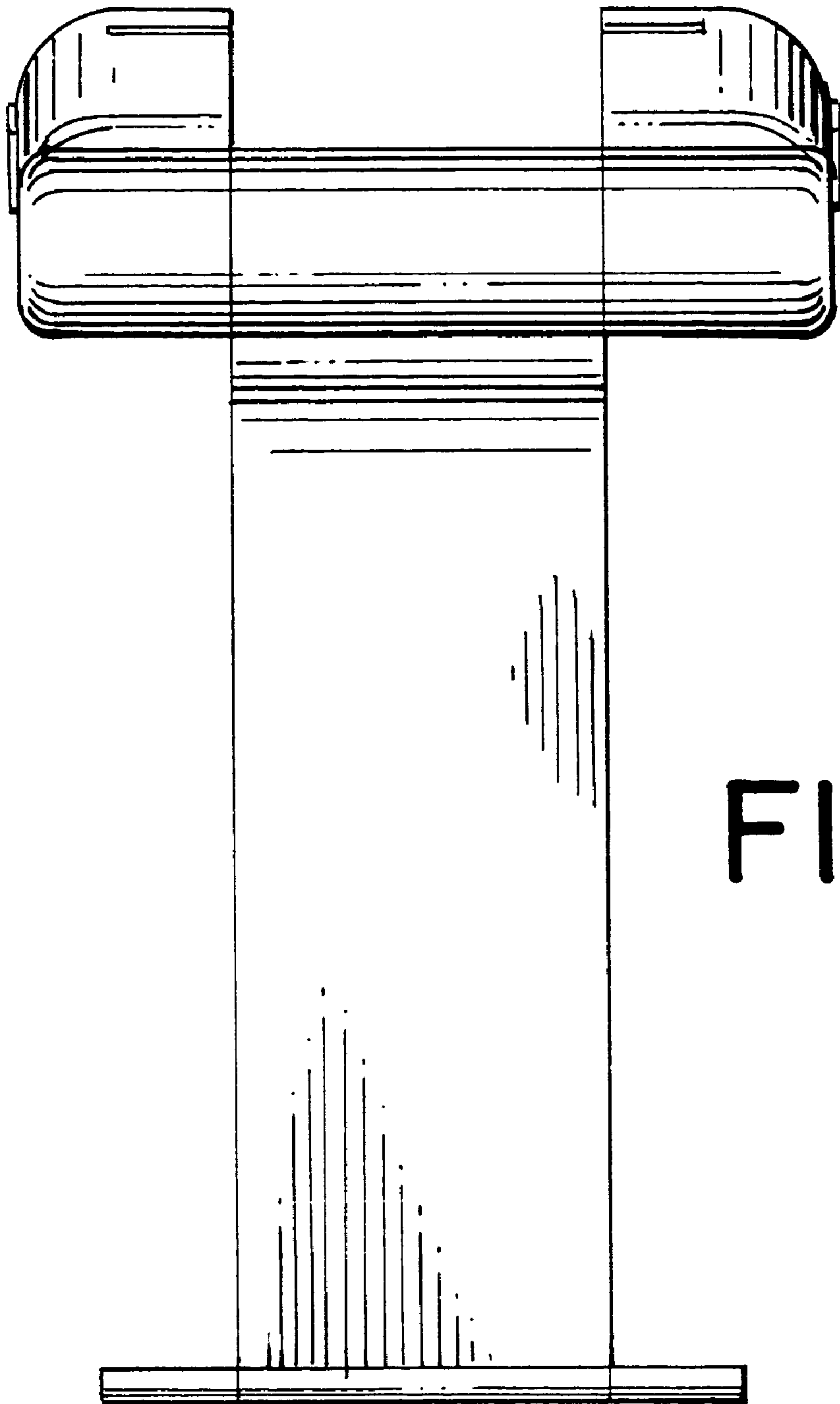


FIG. 6

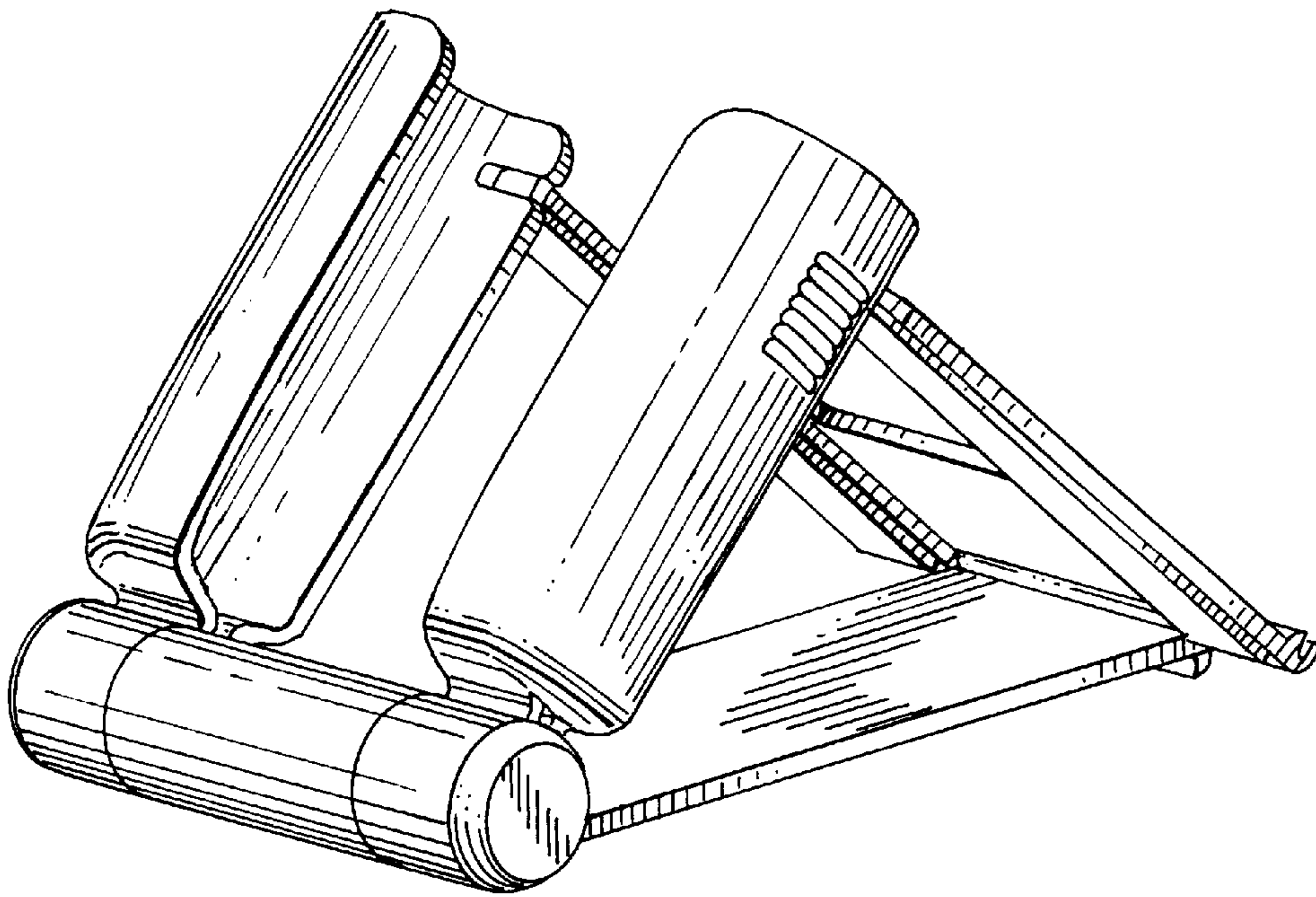


FIG. 7

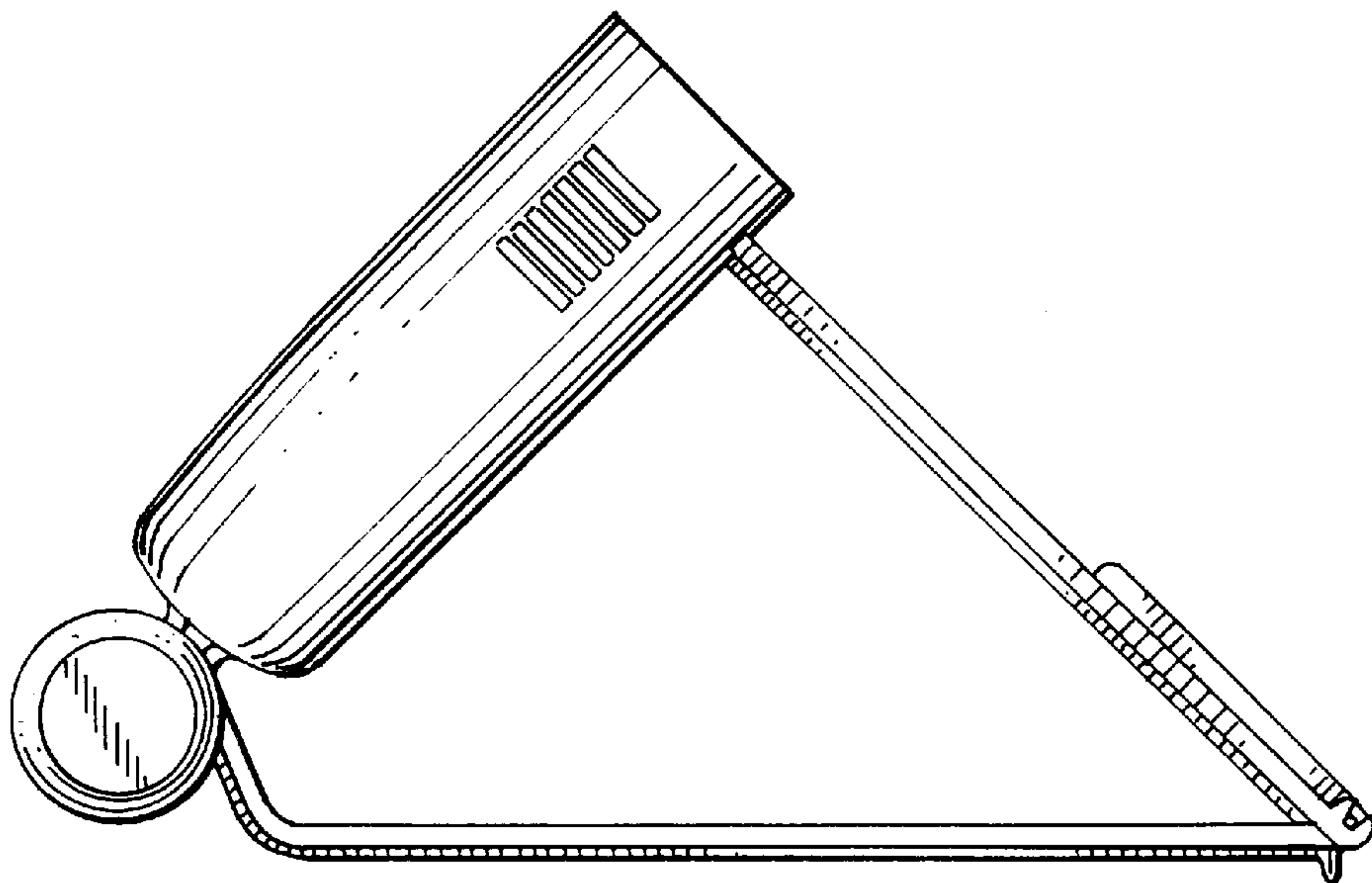


FIG. 8

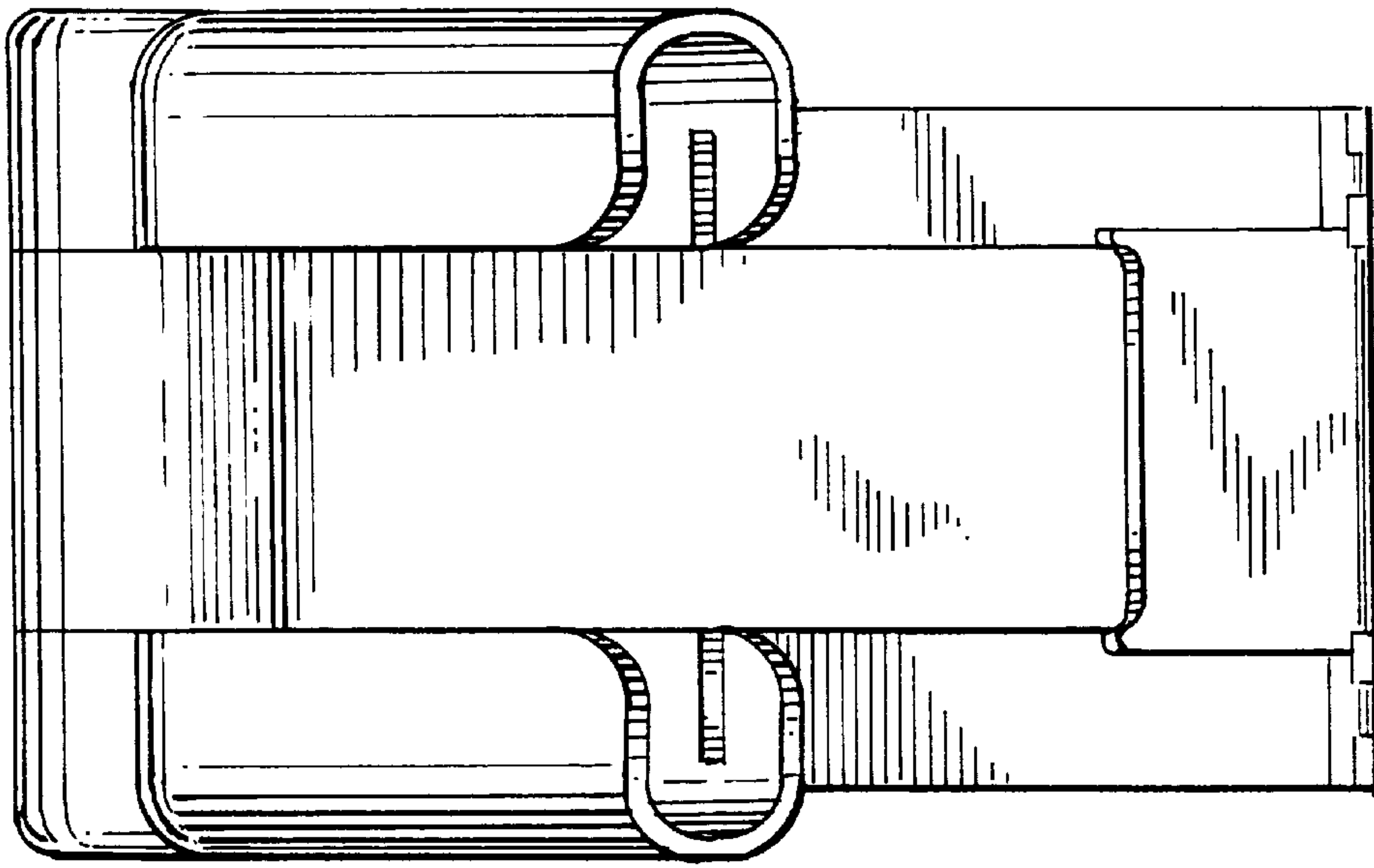


FIG. 9

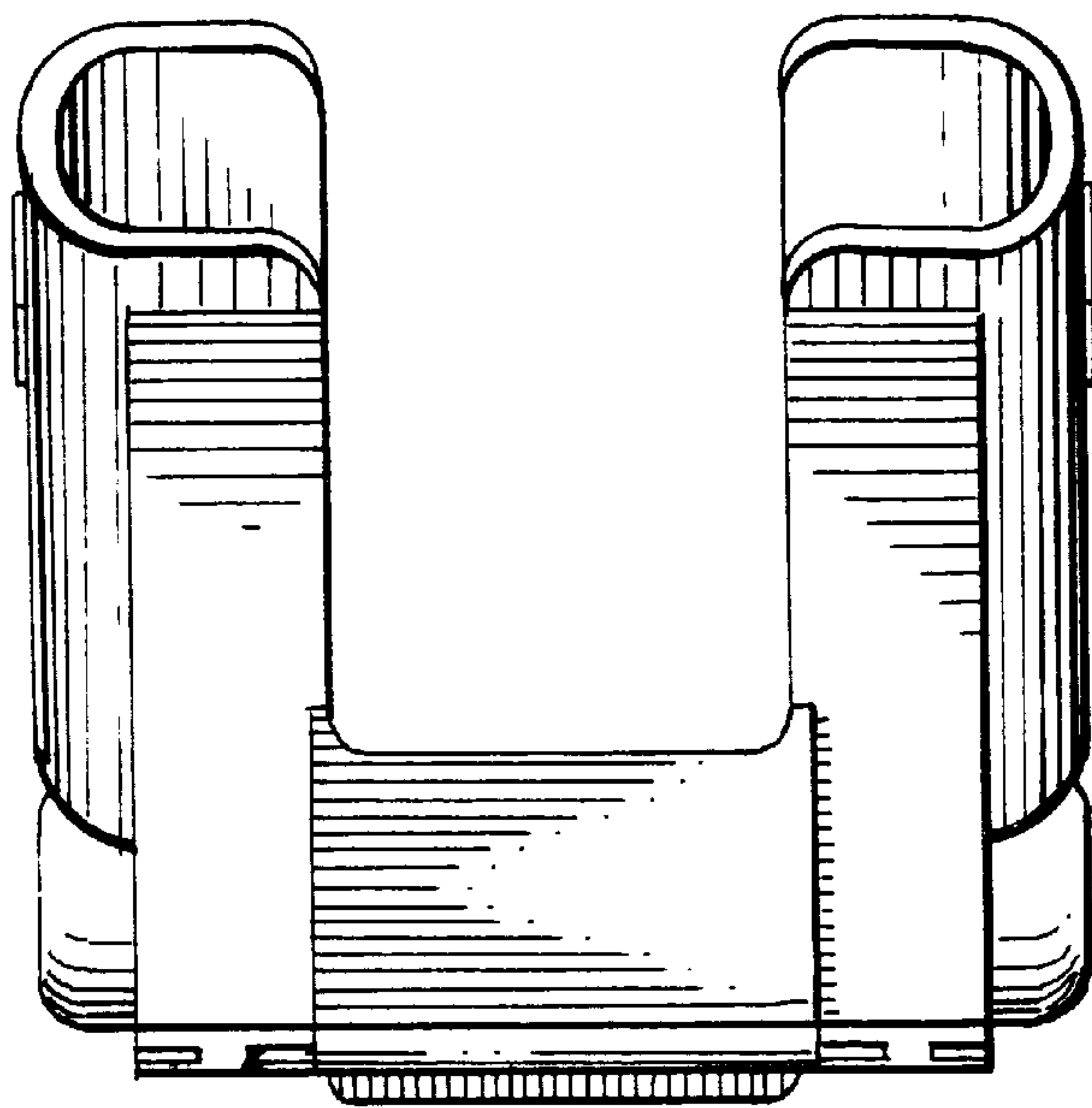


FIG. 10

FIG. 11

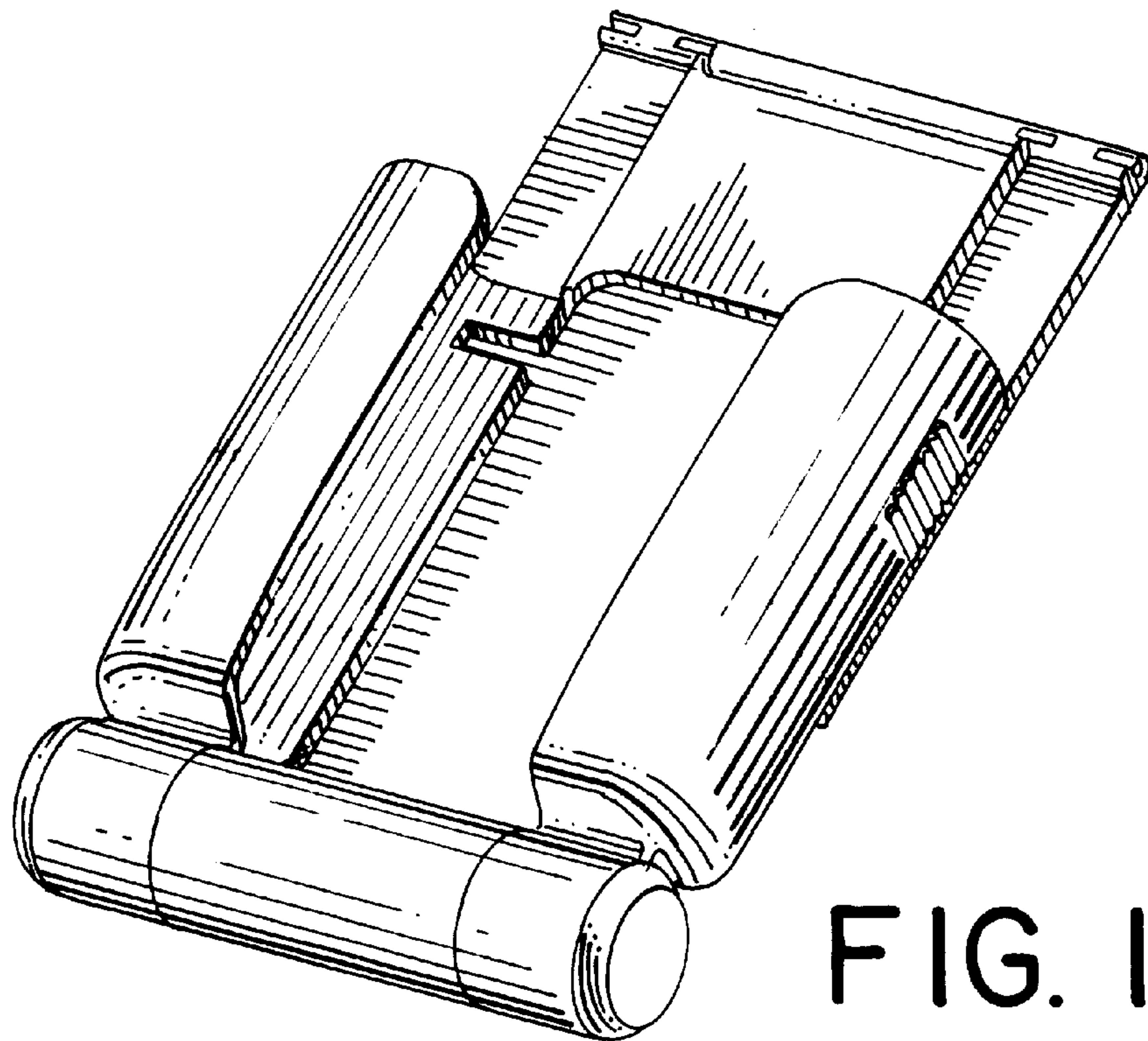
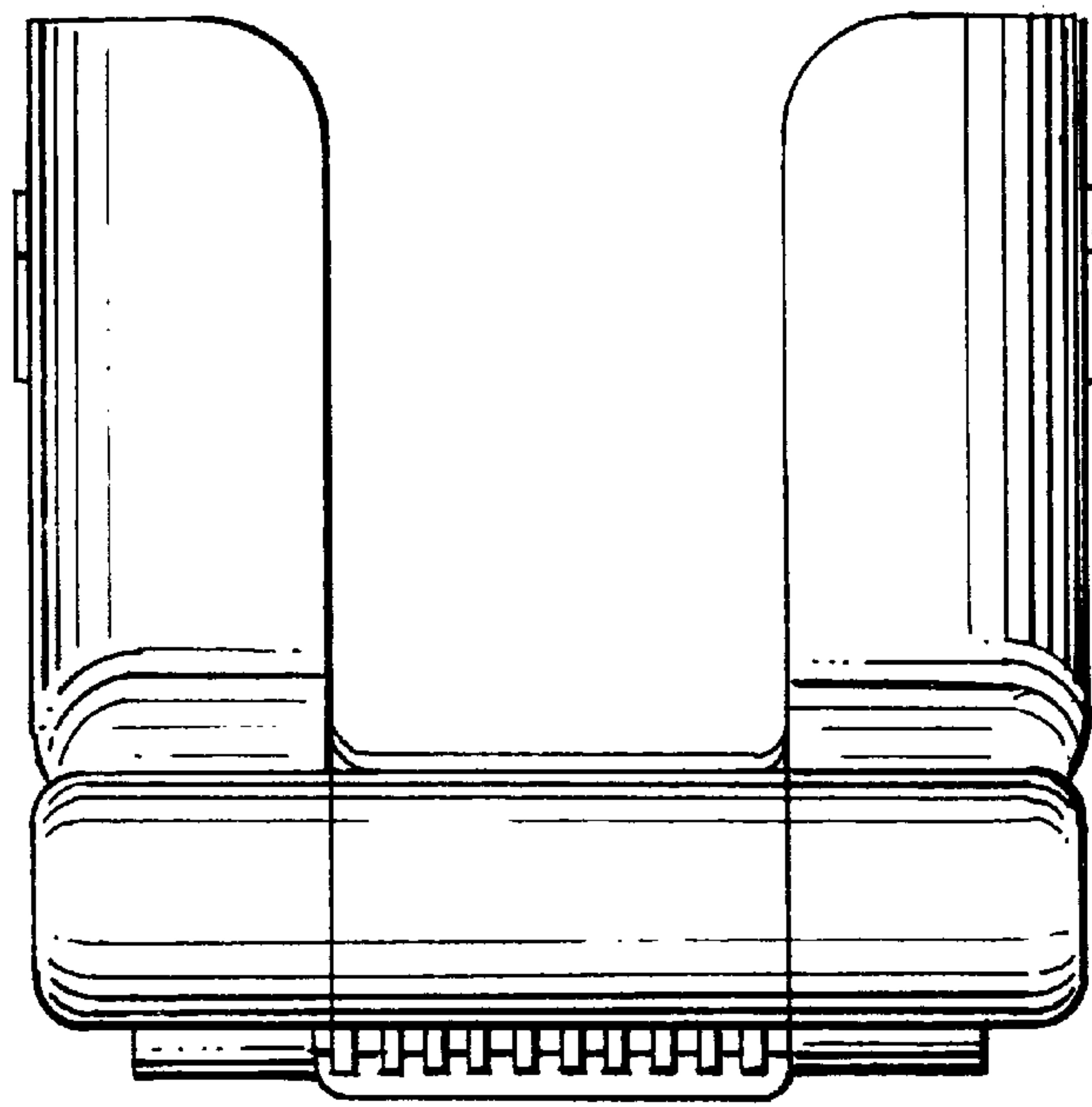


FIG. 12

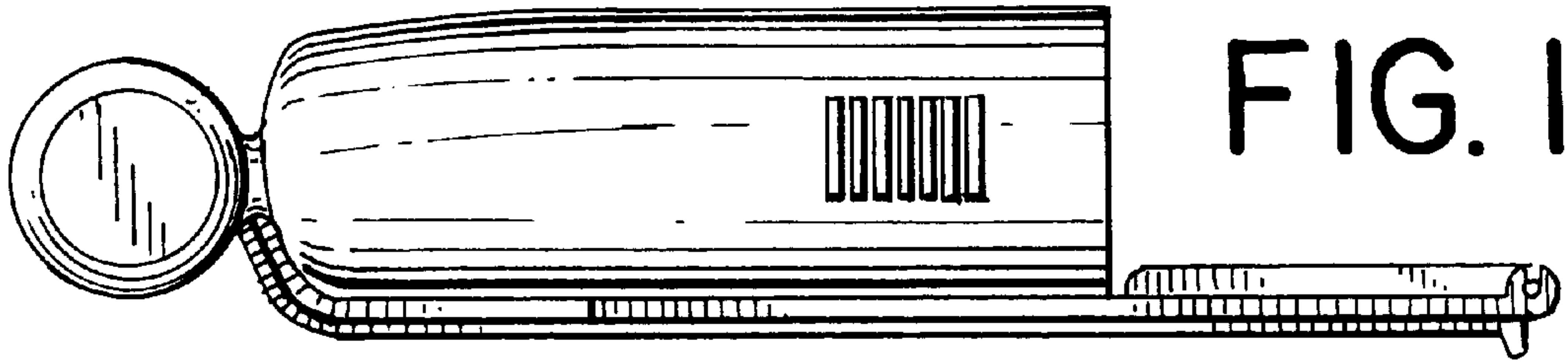


FIG. 13

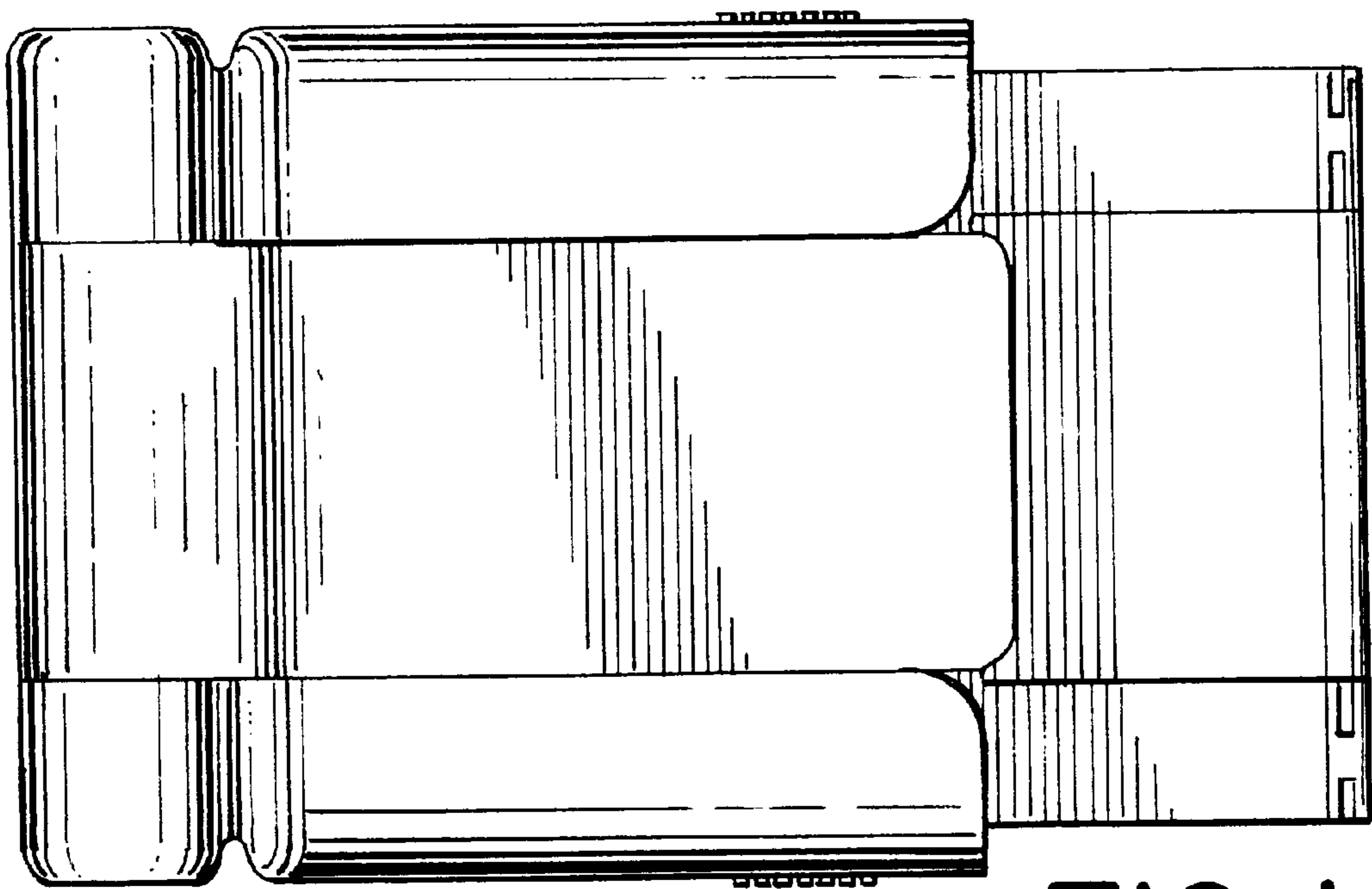


FIG. 14

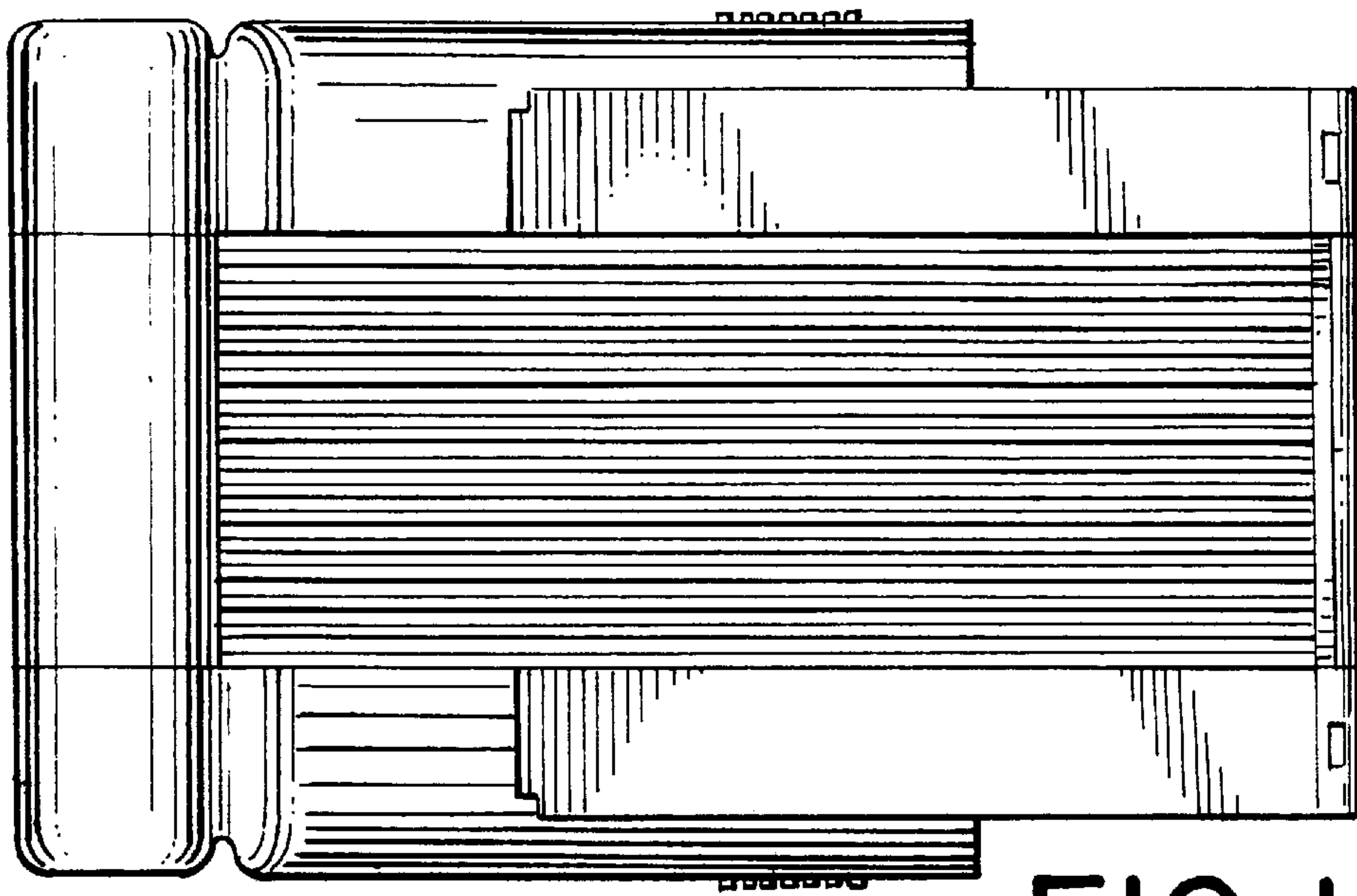


FIG. 15

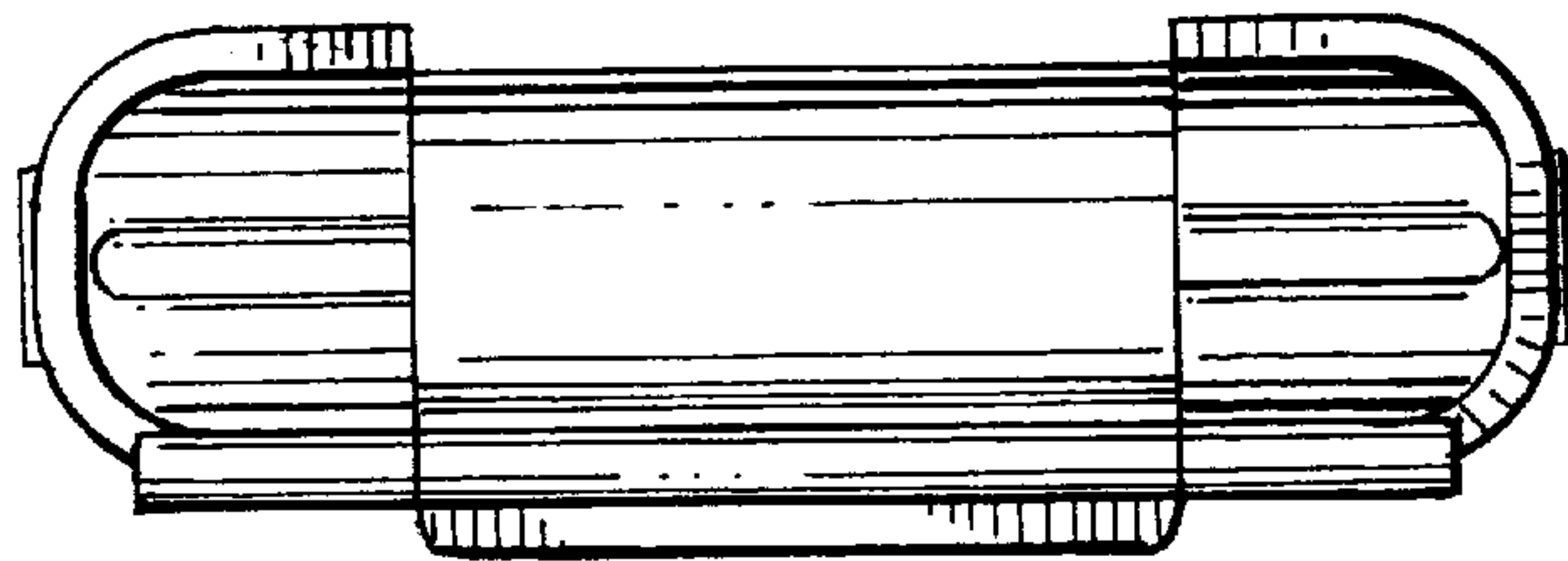


FIG. 16

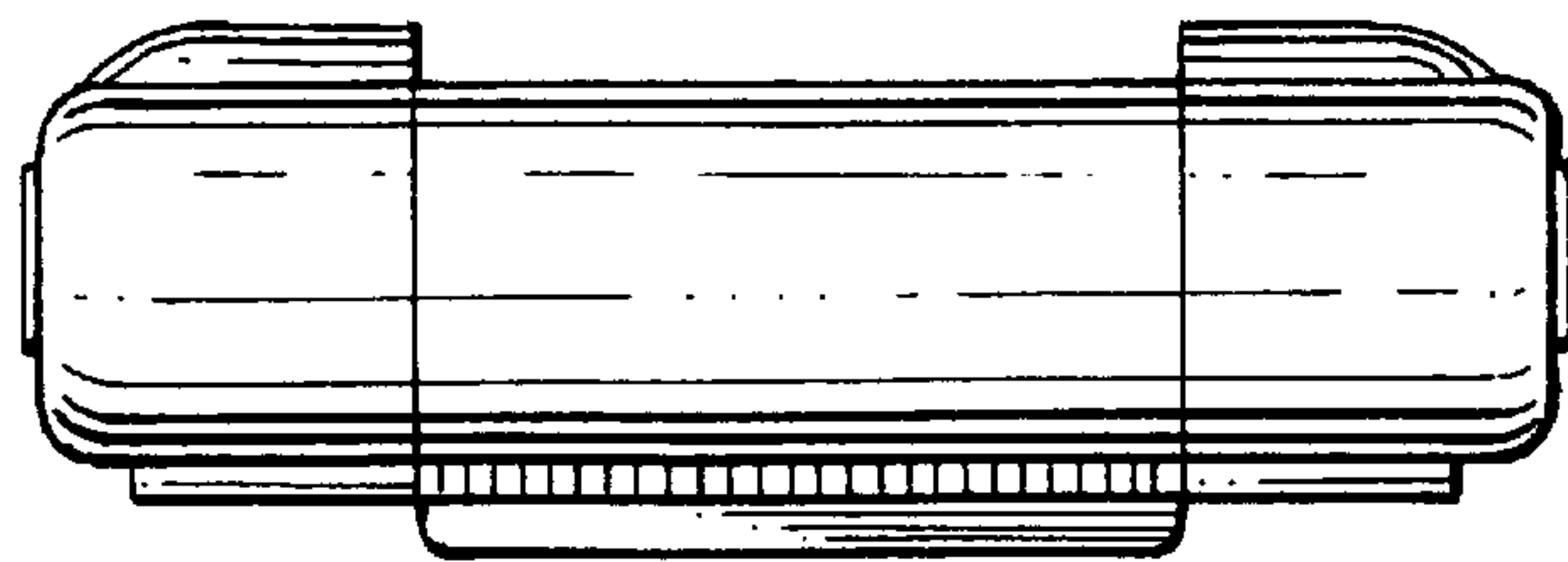


FIG. 17

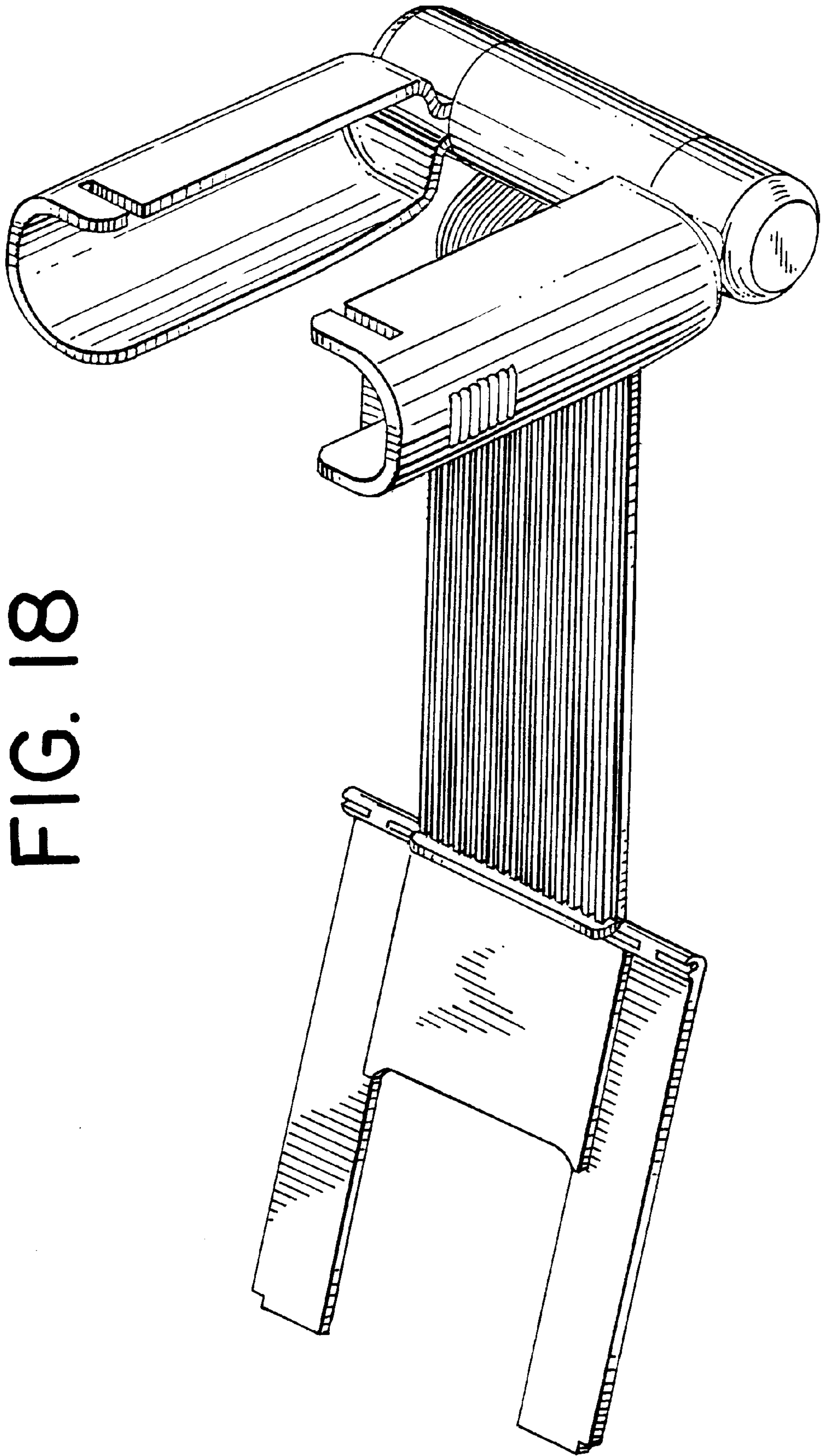
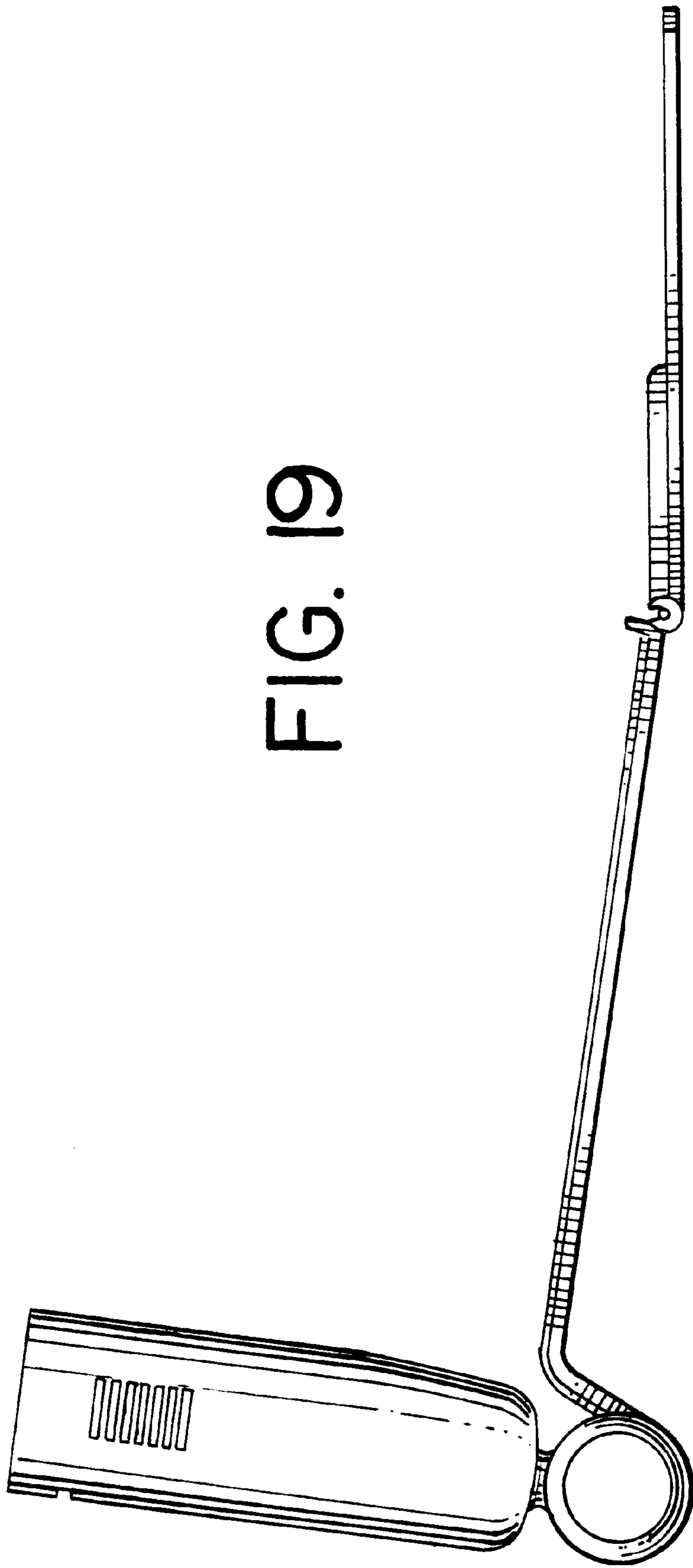


FIG. 18

FIG. 19



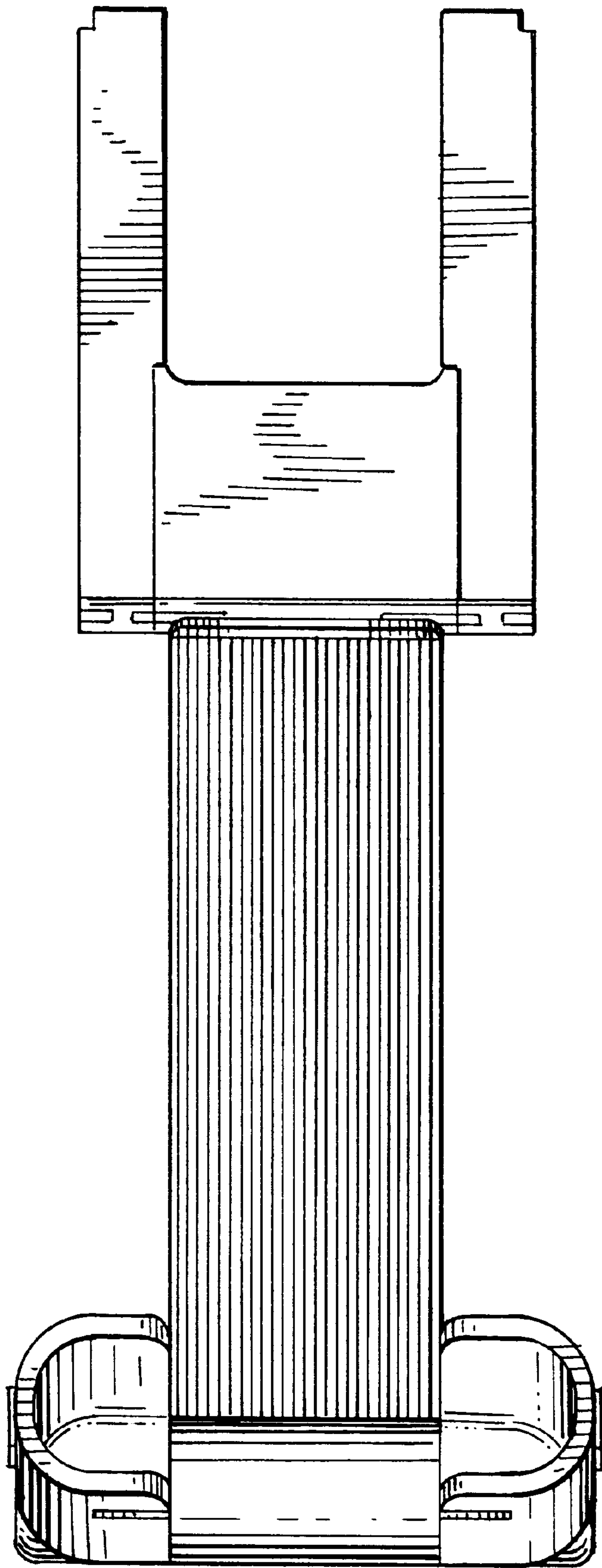


FIG. 20

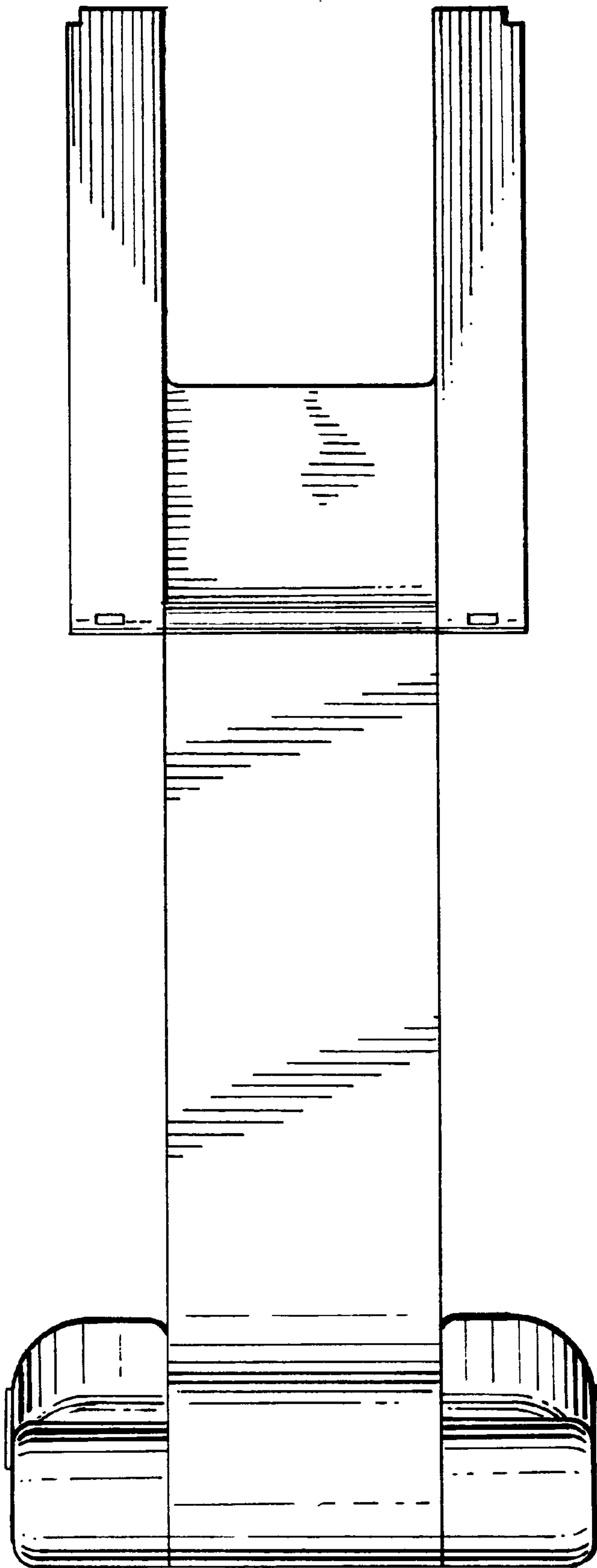


FIG. 21

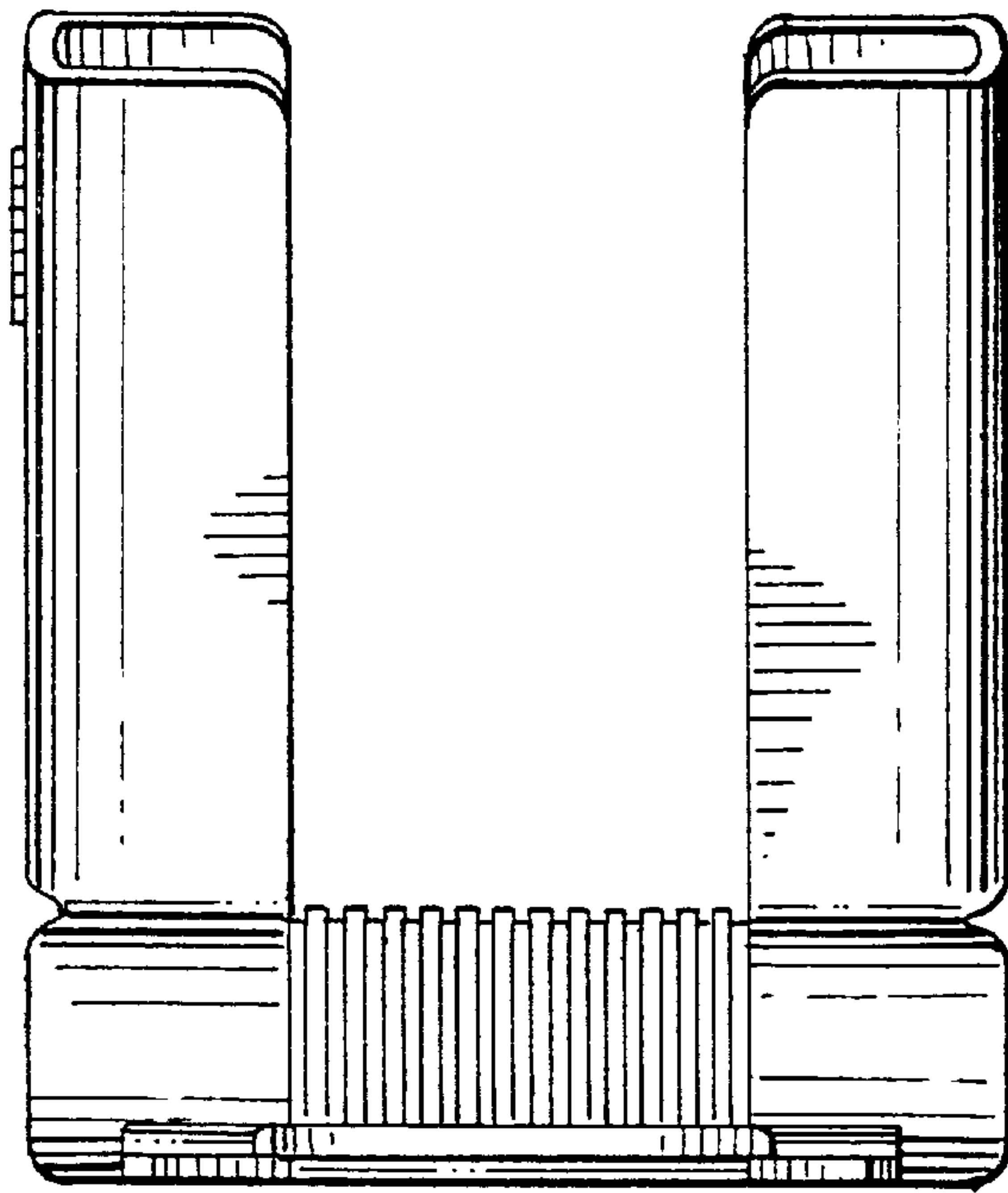


FIG. 22

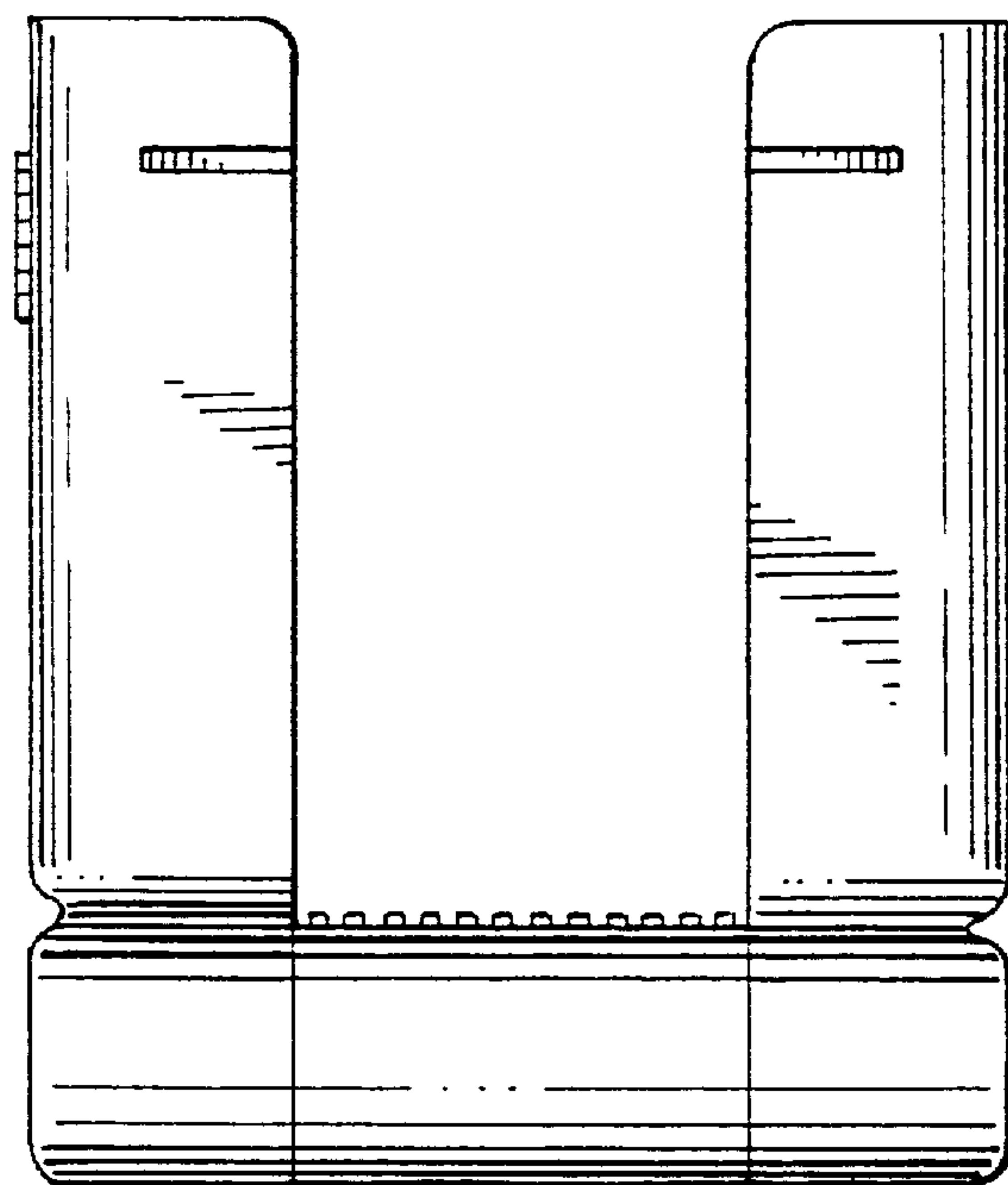


FIG. 23