



US00D417681S

**United States Patent** [19]  
**Hayashi**

[11] **Patent Number: Des. 417,681**

[45] **Date of Patent: \*\* Dec. 14, 1999**

[54] **HOOD FOR INTERCHANGEABLE LENS FOR SINGLE-LENS REFLEX CAMERA**

D. 398,315 9/1998 Miyamoto ..... D16/134  
4,053,910 10/1977 Bodnar ..... 396/544

[75] Inventor: **Tatsuyuki Hayashi**, Tokyo, Japan

*Primary Examiner*—Adir Aronovich  
*Attorney, Agent, or Firm*—Sughrue, Mion, Zinn, Macpeak & Seas, PLLC

[73] Assignee: **Asahi Kogaku Kogyo Kabushiki Kaisha**, Tokyo, Japan

[\*\*] Term: **14 Years**

[57] **CLAIM**

The ornamental design for a hood for interchangeable lens for a single-lens reflex camera, as shown and described.

[21] Appl. No.: **29/102,520**

[22] Filed: **Mar. 25, 1999**

**DESCRIPTION**

[51] **LOC (6) Cl.** ..... **16-06**

FIG. 1 is a perspective view of the top, front and left side of a hood for interchangeable lens for single-lens reflex camera showing my new design;

[52] **U.S. Cl.** ..... **D16/134; D16/219**

FIG. 2 is a front elevational view thereof;

[58] **Field of Search** ..... D16/134, 136, D16/219, 237, 217-218; 359/703, 704, 811, 815, 819, 826, 827; 396/529-531, 544

FIG. 3 is a rear elevational view thereof;

FIG. 4 is a top plan view thereof;

FIG. 5 is a right side elevational view thereof;

FIG. 6 is a left side elevational view thereof; and,

FIG. 7 is a bottom plan view thereof.

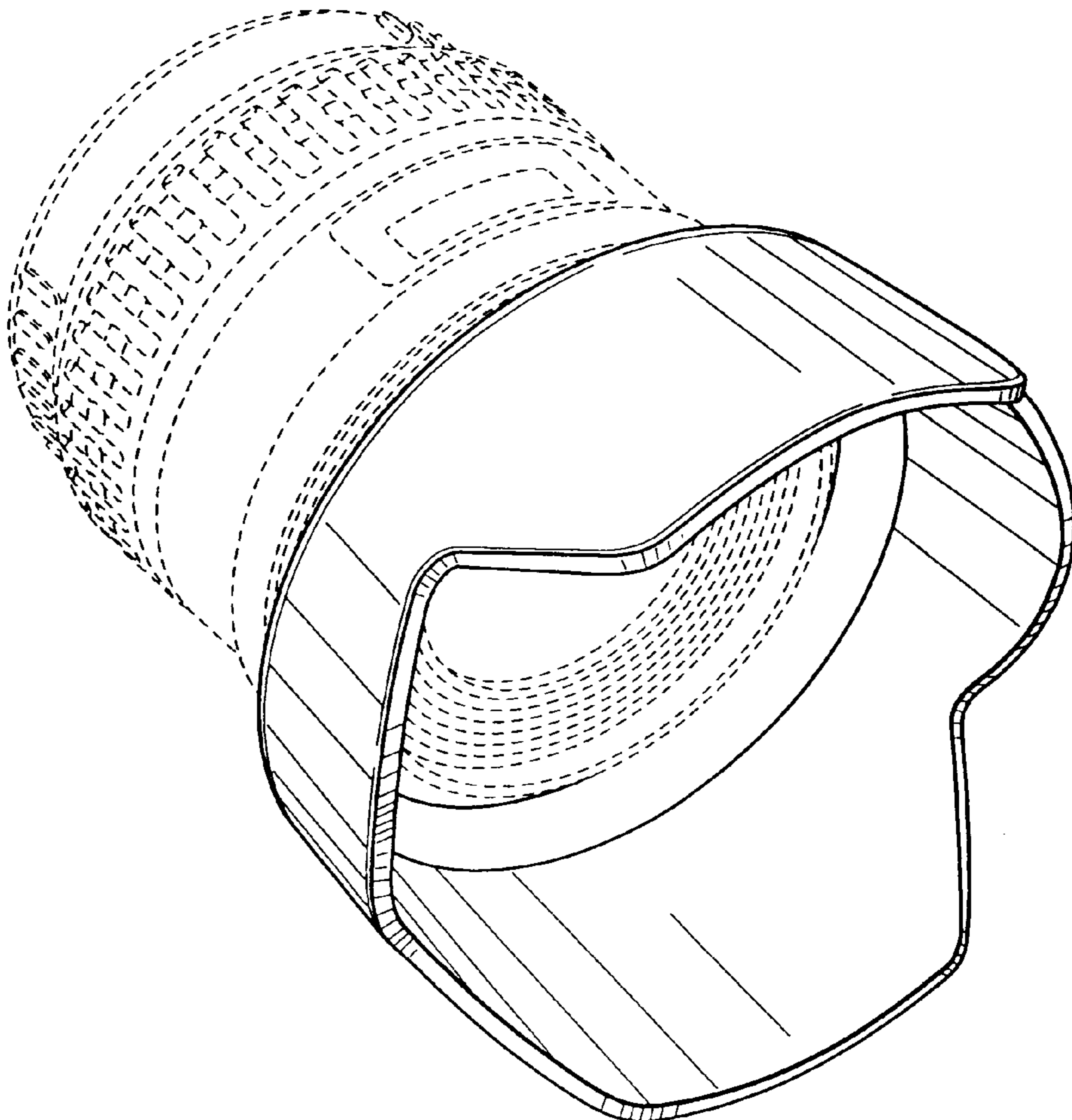
The broken lines are shown for environmental purposes only and form no part of the claimed design.

[56] **References Cited**

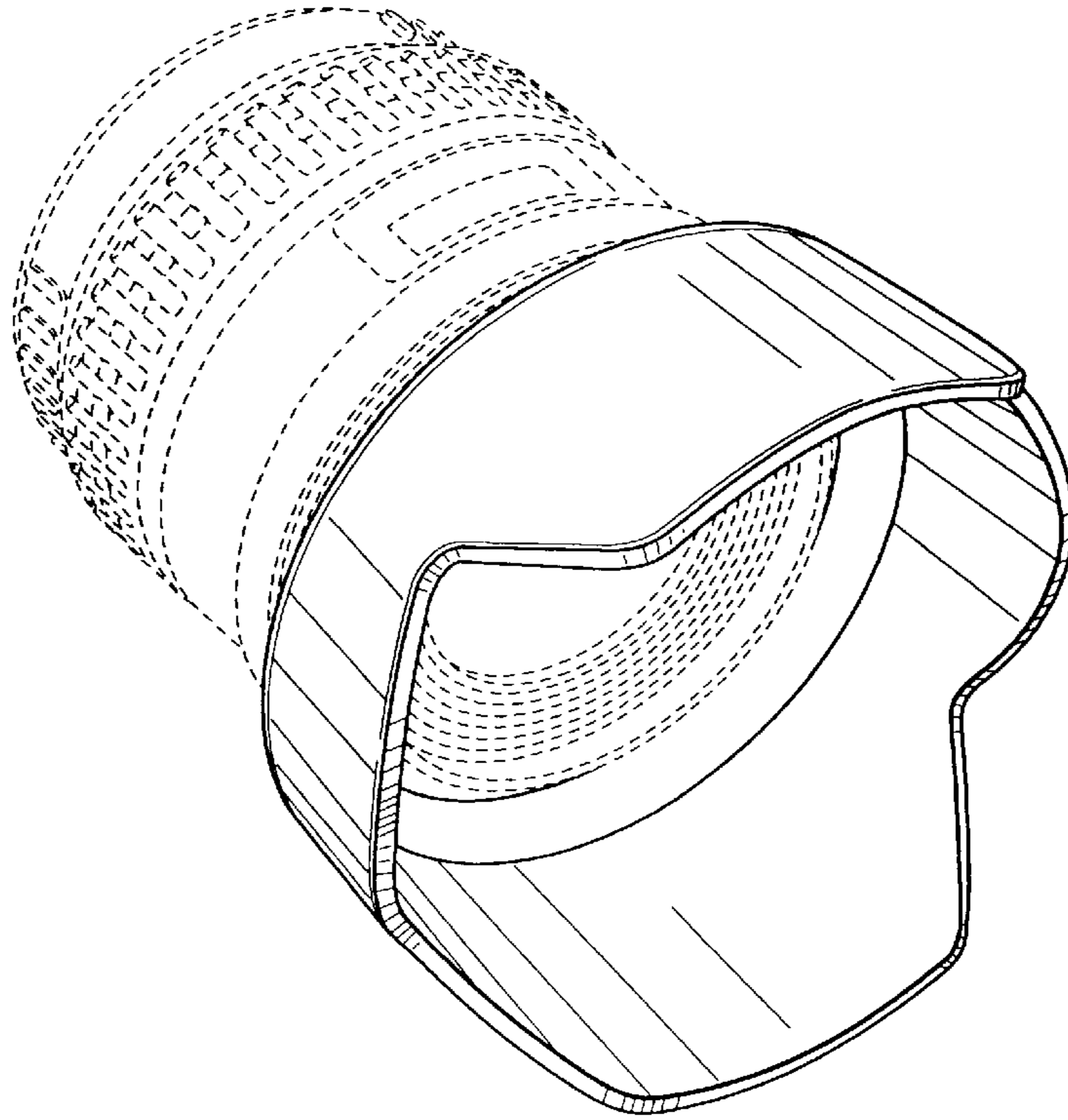
**U.S. PATENT DOCUMENTS**

D. 286,092 10/1986 Weimar ..... D16/134  
D. 289,659 5/1987 Colani ..... D16/217  
D. 338,479 8/1993 Takahashi ..... D16/134

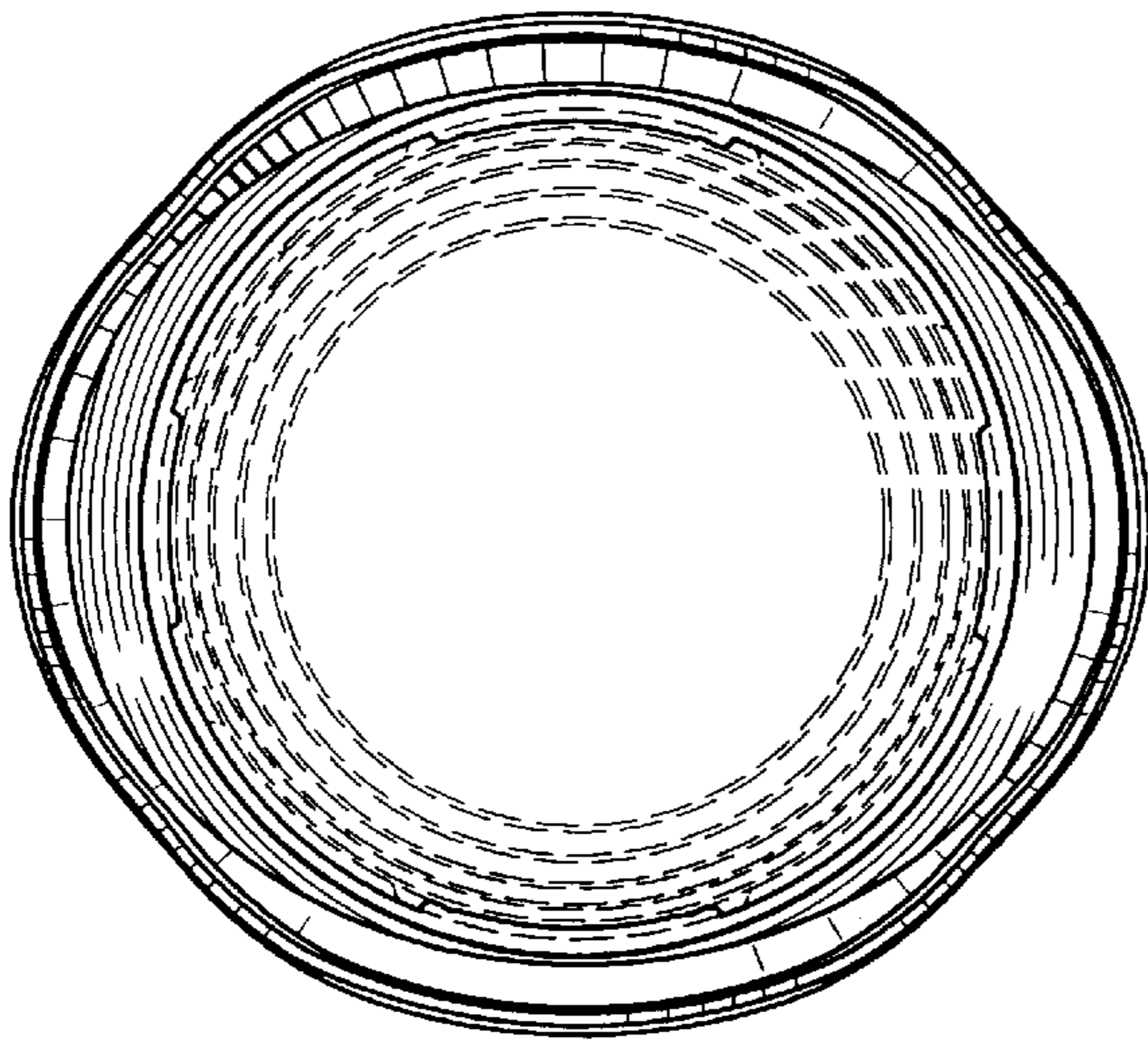
**1 Claim, 3 Drawing Sheets**



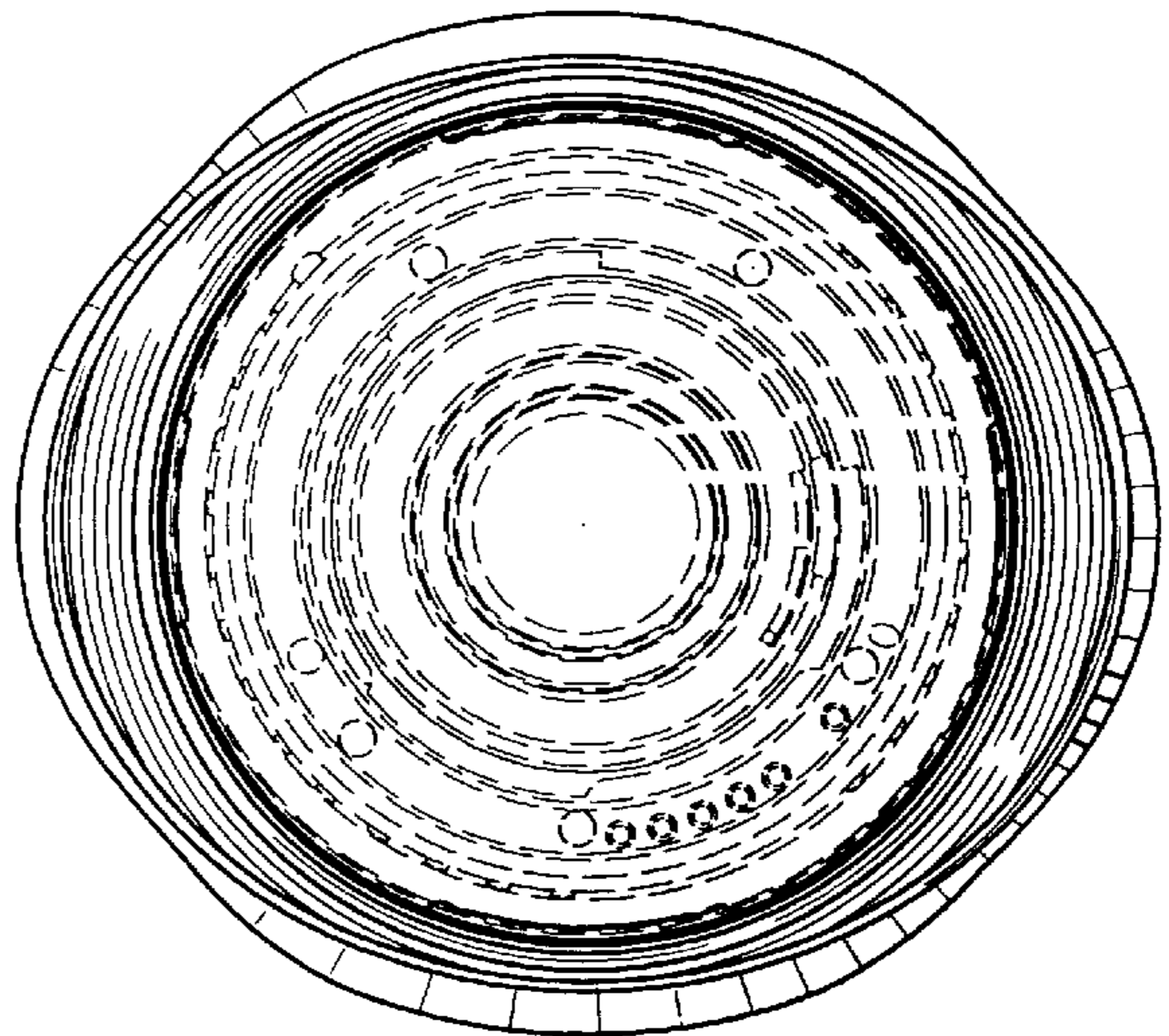
*FIG. 1*



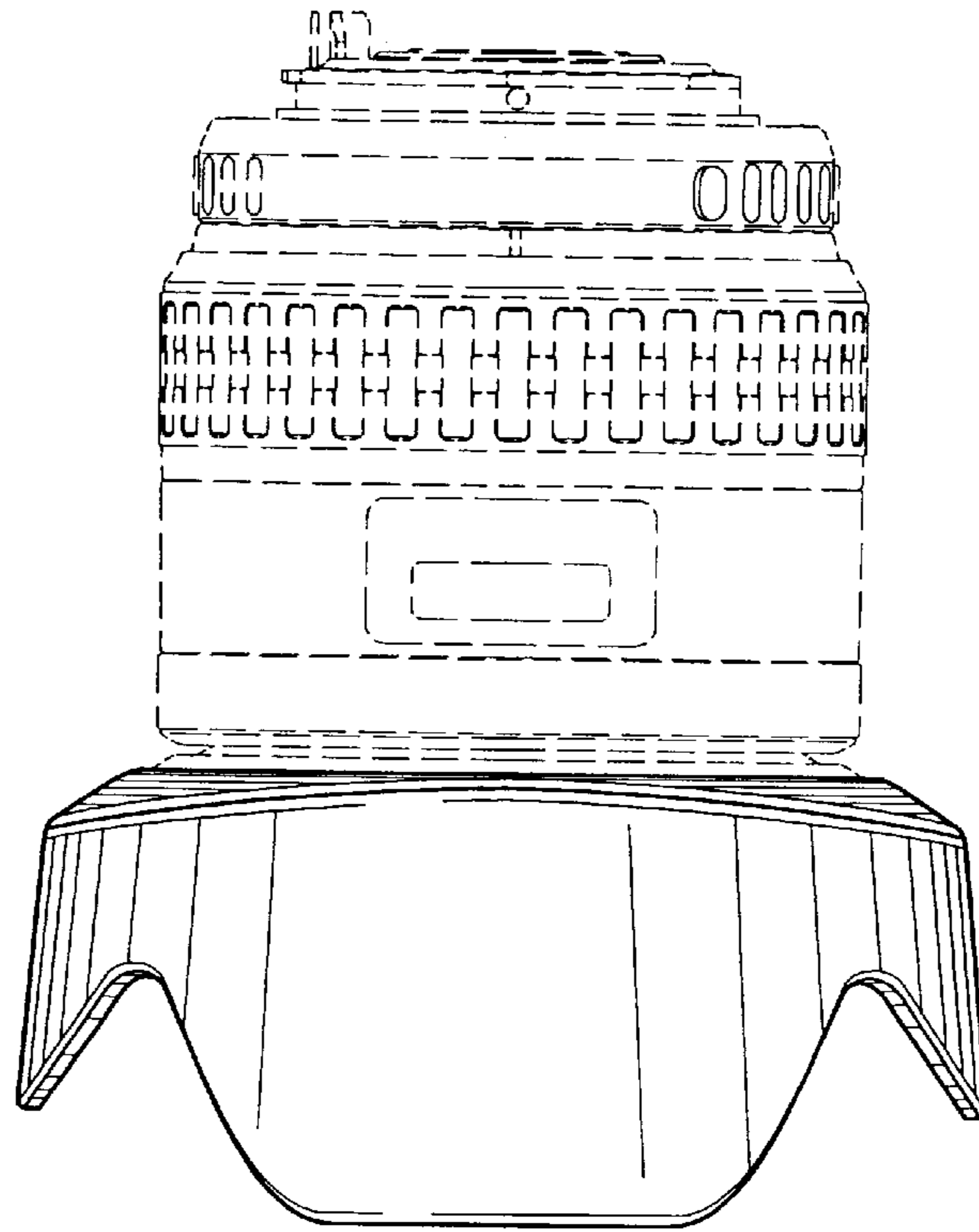
*FIG. 2*



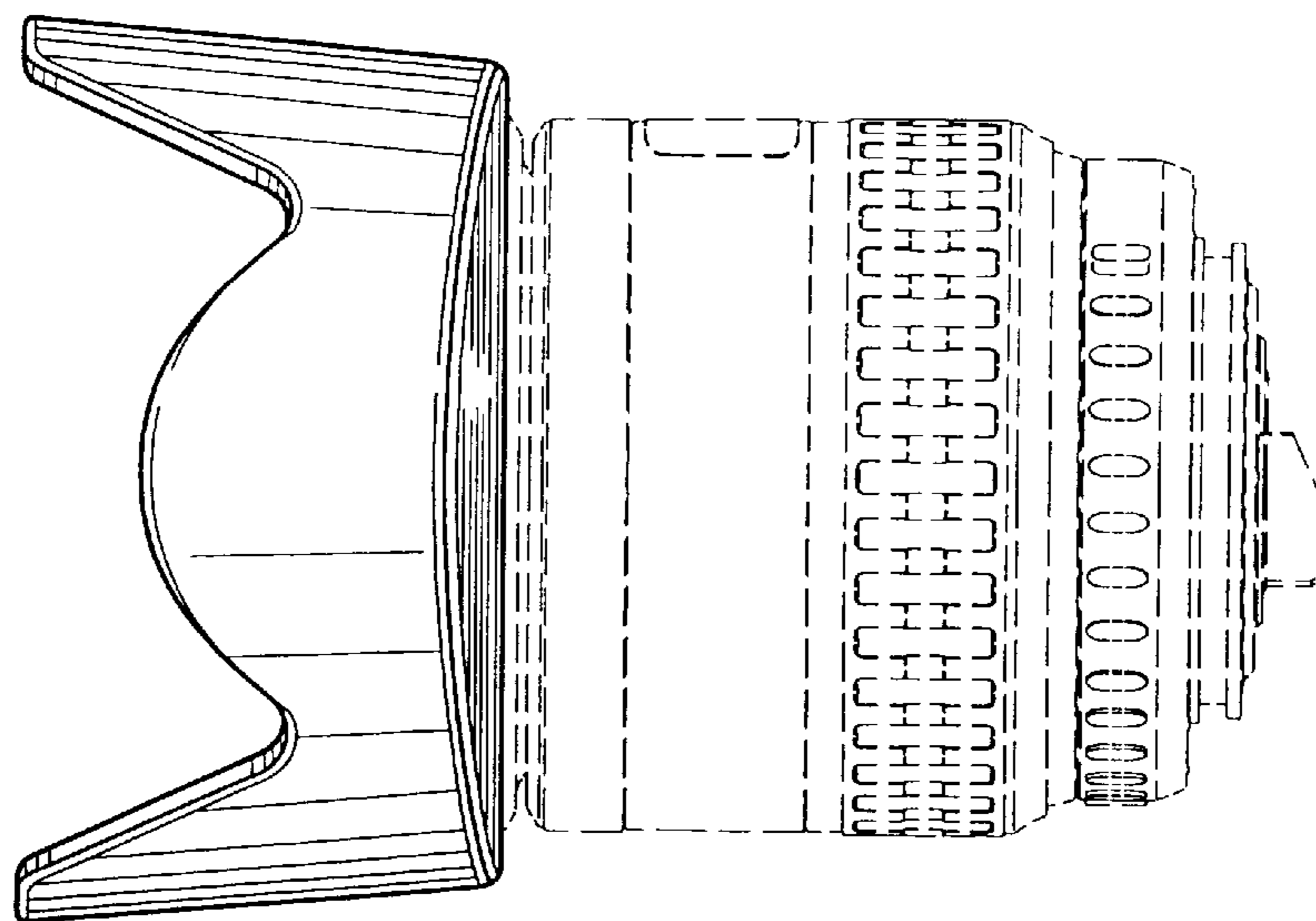
*FIG. 3*



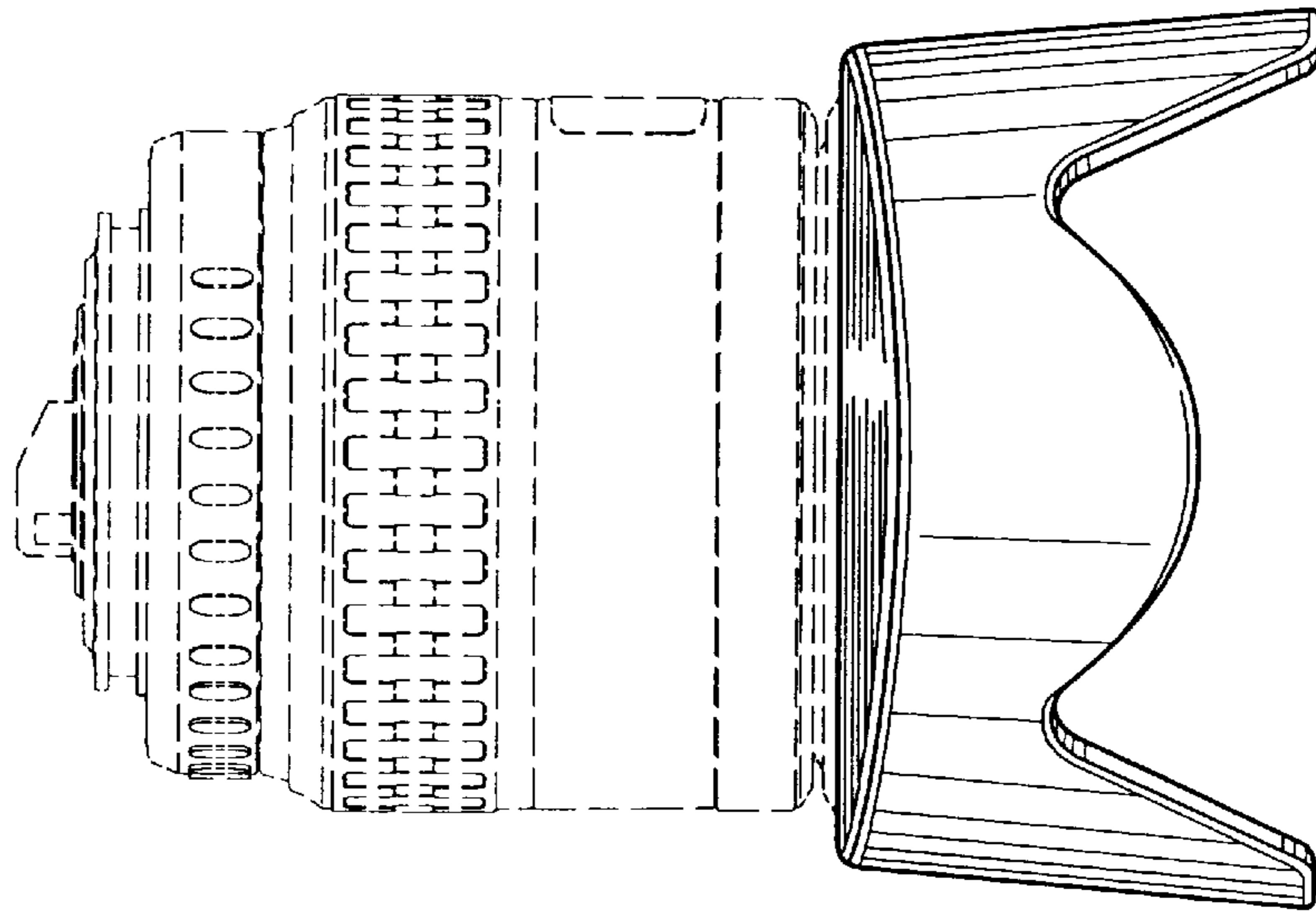
**FIG. 4**



**FIG. 5**



*FIG. 6*



*FIG. 7*

