



US00D417680S

United States Patent [19]

Diebel et al.

[11] Patent Number: **Des. 417,680**

[45] Date of Patent: **** Dec. 14, 1999**

[54] **SPOTTING SCOPE**

[75] Inventors: **John C. Diebel**, Newport Beach; **John E. Smith**, Mission Viejo; **Clair A. Samhammer**, Orange; **David M. Hines**, Santa Ana, all of Calif.

[73] Assignee: **Meade Instruments Corporation**, Irvine, Calif.

[**] Term: **14 Years**

[21] Appl. No.: **29/101,105**

[22] Filed: **Feb. 25, 1999**

[51] **LOC (6) Cl.** **16-06**

[52] **U.S. Cl.** **D16/132**

[58] **Field of Search** D16/130, 132;
359/200, 202, 399, 407, 420, 424, 428,
429, 831, 890; 33/245, 246; D22/100, 108,
109

[56] **References Cited**

U.S. PATENT DOCUMENTS

- D. 285,698 9/1986 Ogasawara D16/132
- D. 285,802 9/1986 Ogasawara D16/132

- D. 288,210 2/1987 Mise D16/132
- D. 369,367 4/1996 Tomita D16/132
- D. 390,583 2/1998 Diebel et al. D16/132
- D. 392,657 3/1998 Diebel et al. D16/132
- 4,279,463 7/1981 Little 359/399
- 4,669,833 6/1987 Mise 359/420

Primary Examiner—Paula A. Mortimer
Attorney, Agent, or Firm—Christie, Parker & Hale, LLP

[57] **CLAIM**

The ornamental design for the spotting scope, as shown and described.

DESCRIPTION

FIG. 1 is a right rear perspective view of a telescope showing our new design;
 FIG. 2 is a left rear perspective view thereof;
 FIG. 3 is a side elevational view of the right side thereof;
 FIG. 4 is a side elevational view of the left side thereof;
 FIG. 5 is a top plan view of the telescope oriented as in FIG. 3;
 FIG. 6 is a bottom plan view thereof;
 FIG. 7 is a rear elevational view thereof; and,
 FIG. 8 is a front elevational view thereof.

1 Claim, 7 Drawing Sheets

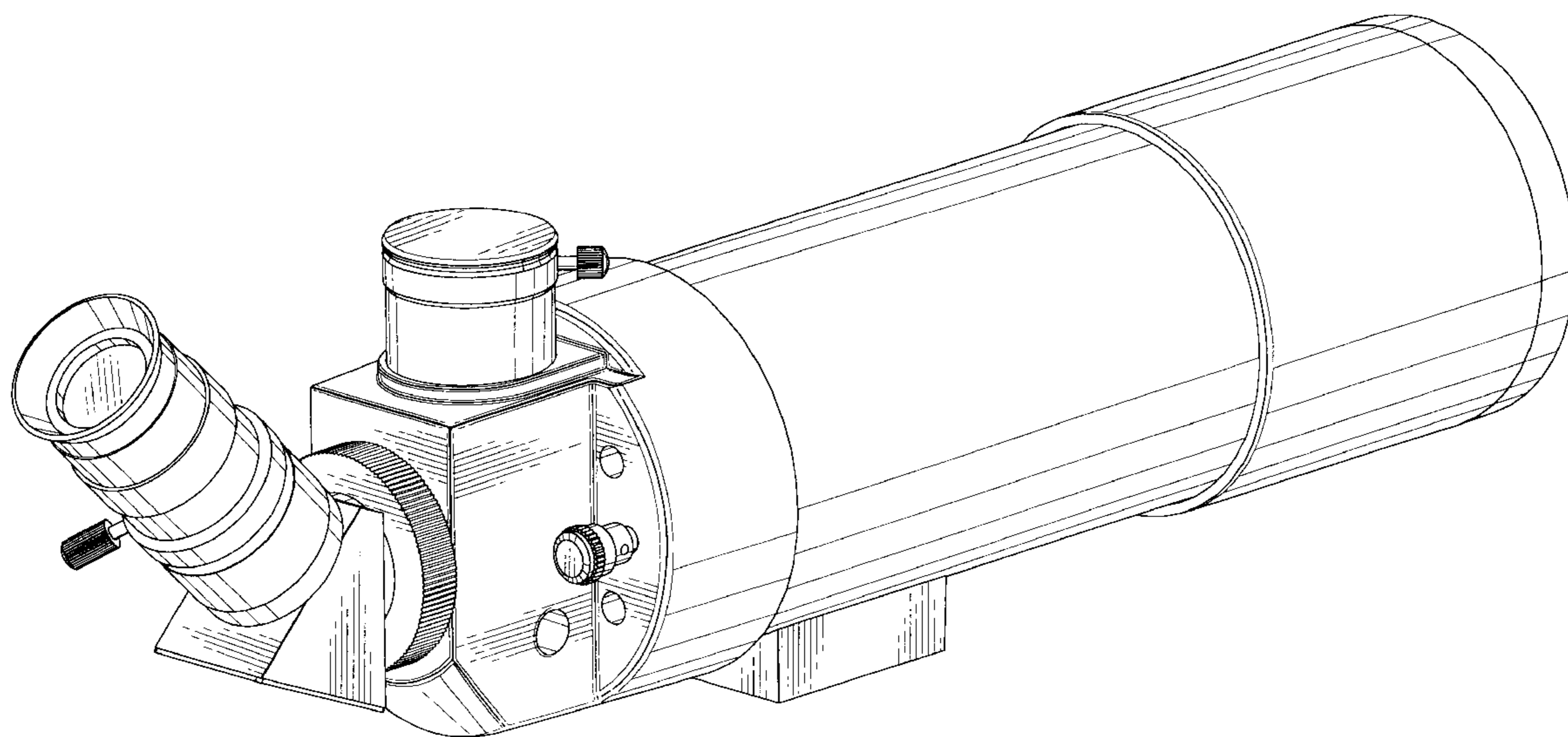


FIG. 1

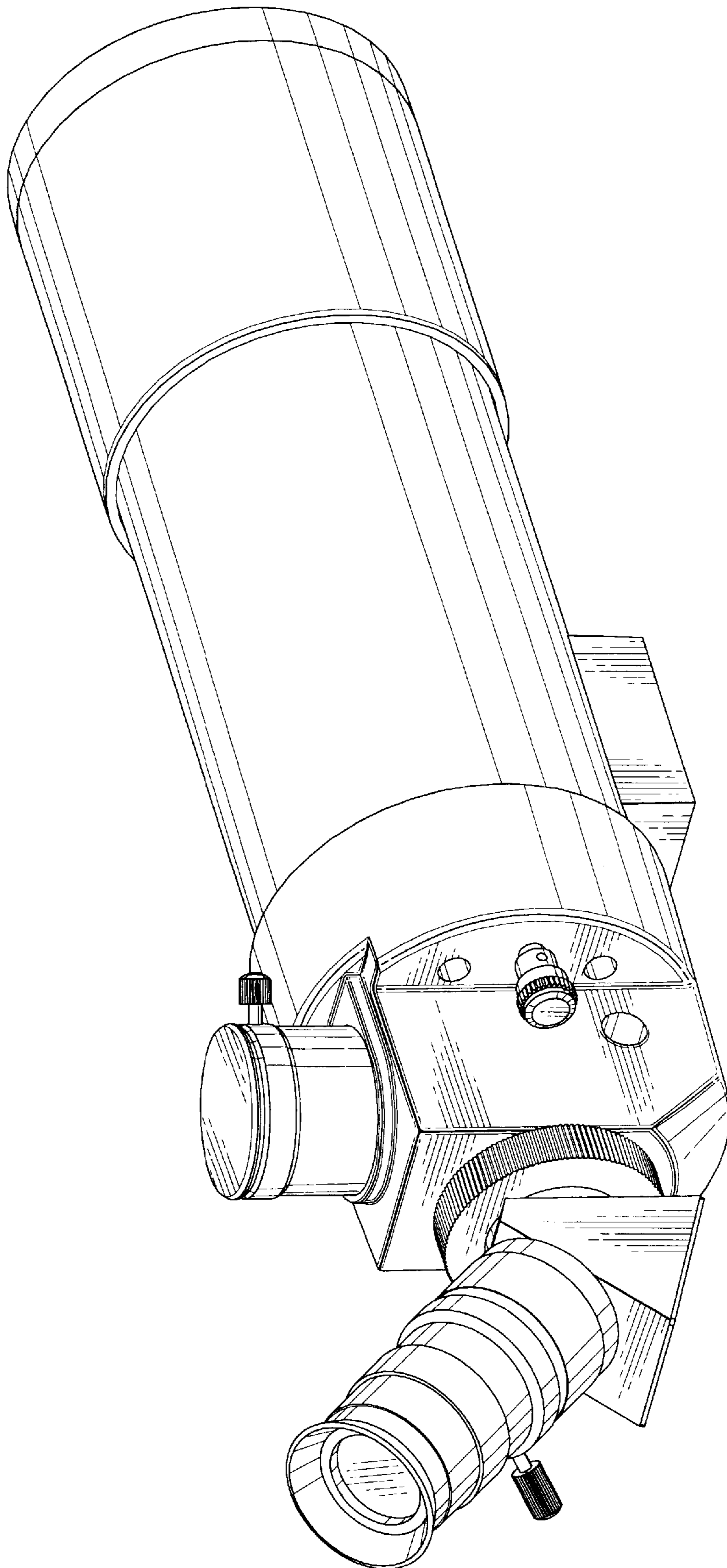


FIG. 2

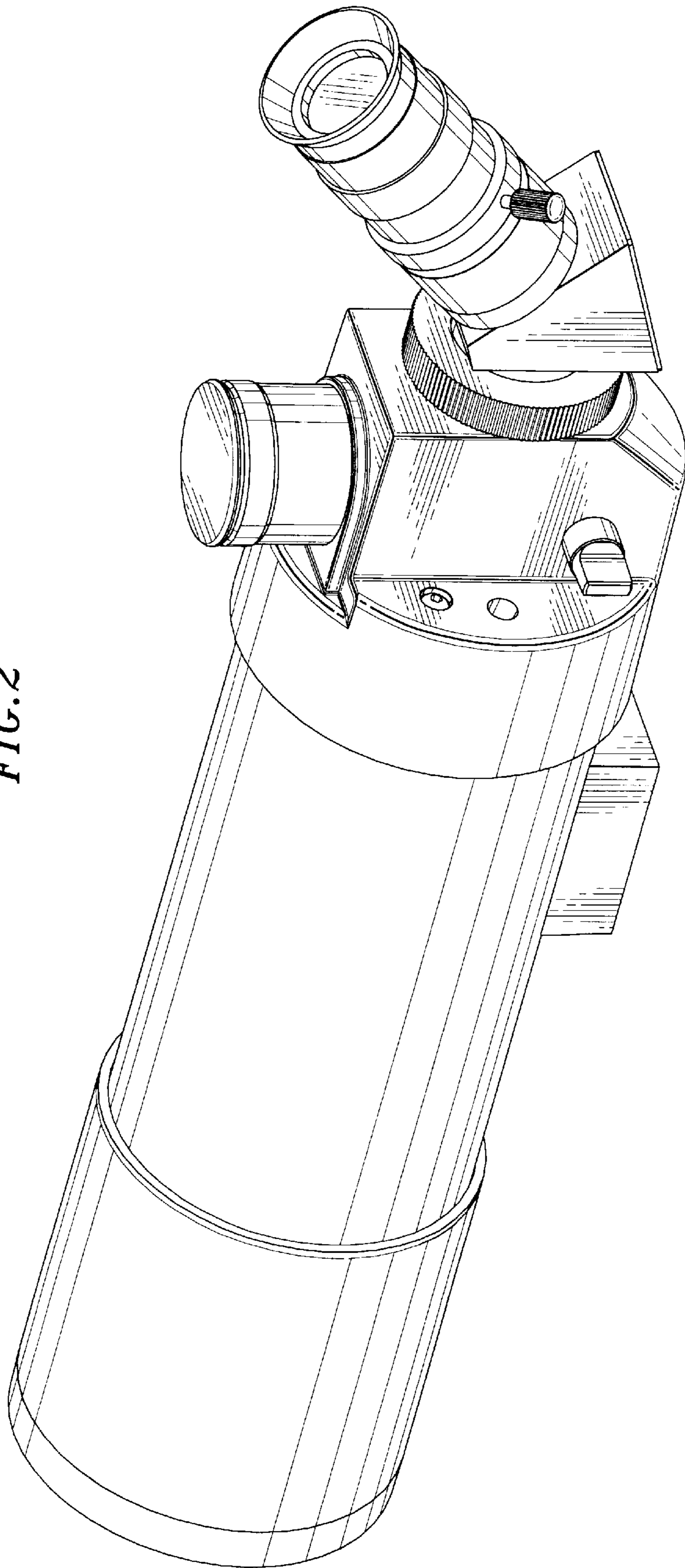
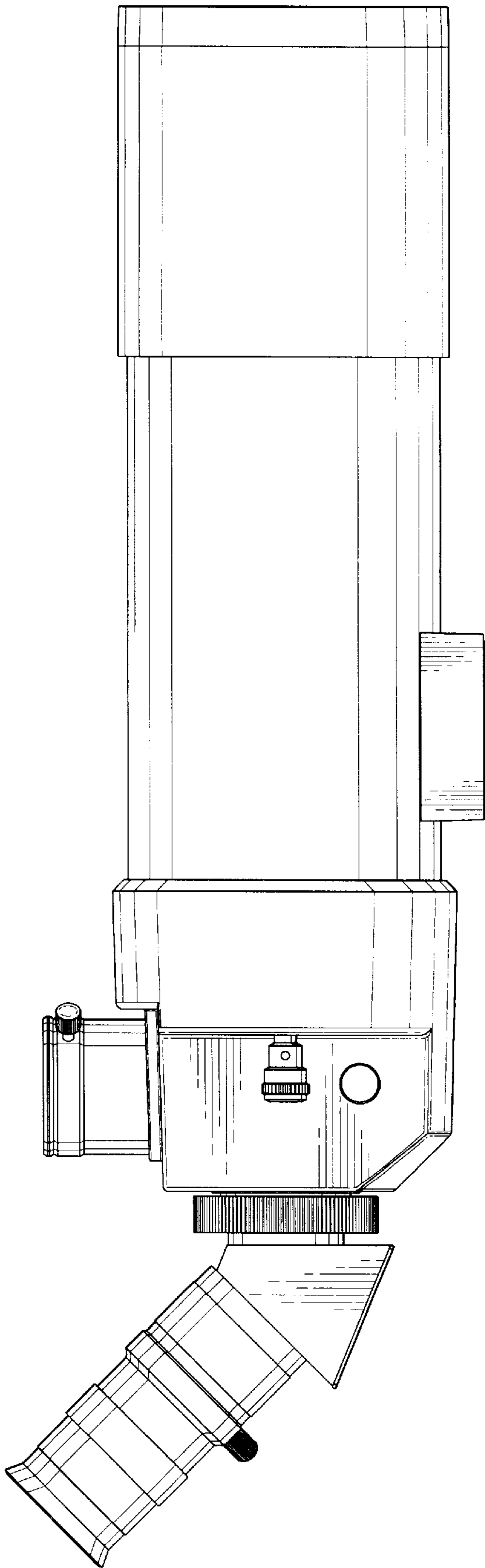


FIG. 3



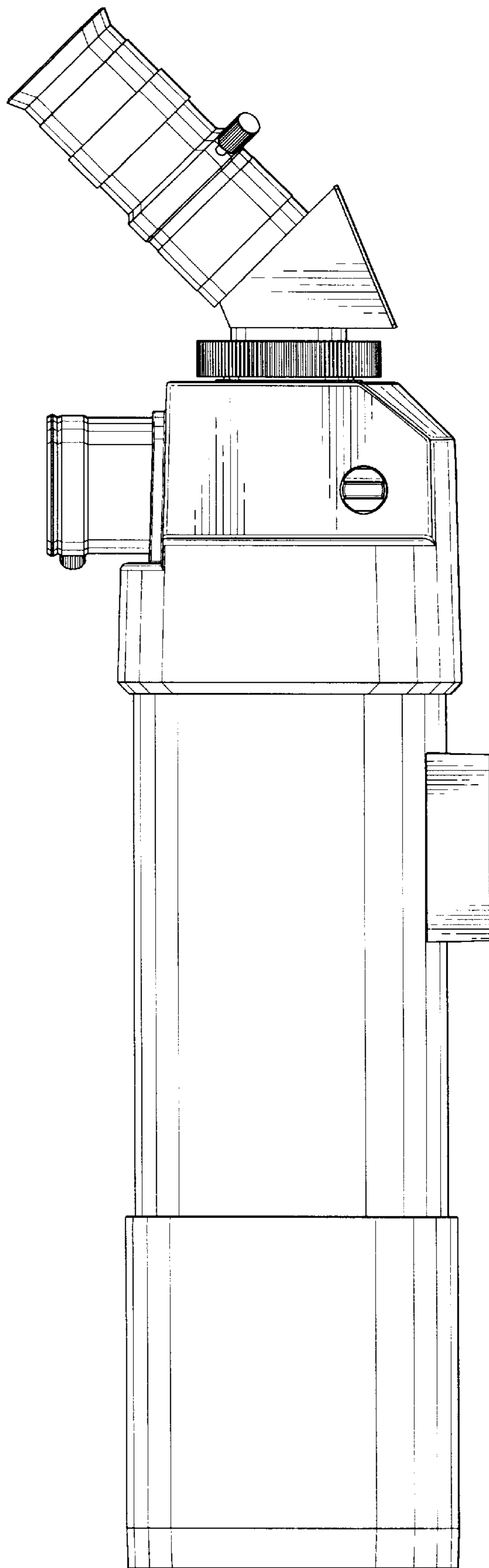


FIG. 4

FIG. 5

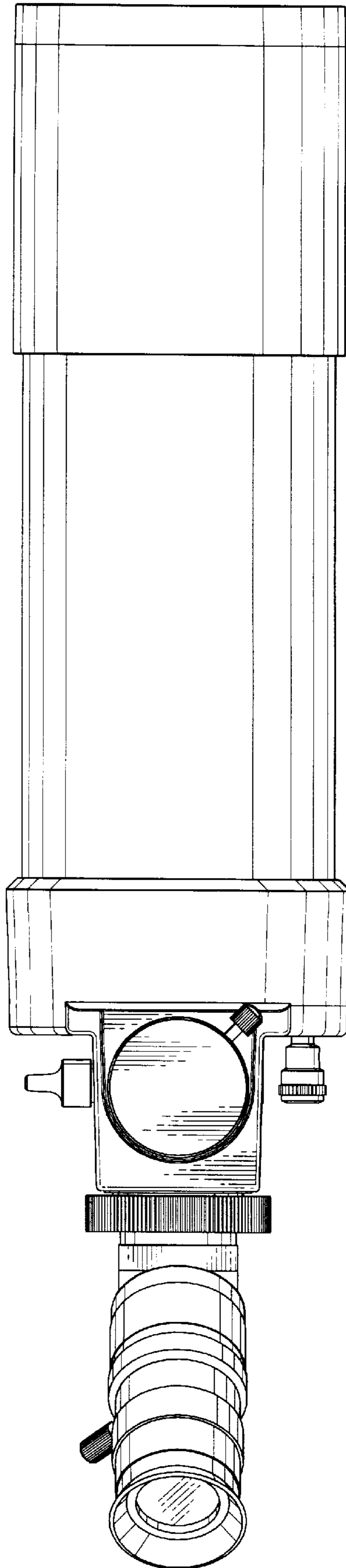


FIG. 6

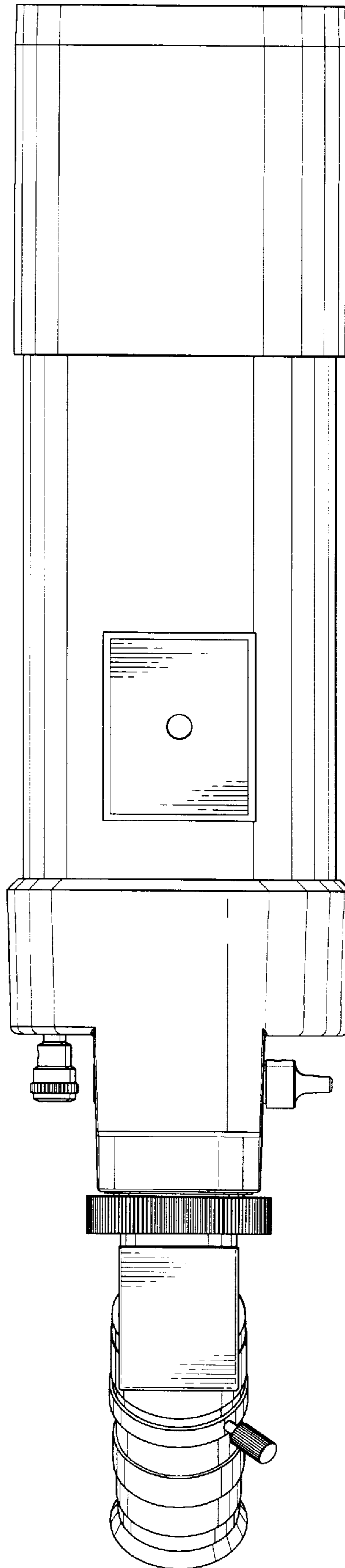


FIG. 7

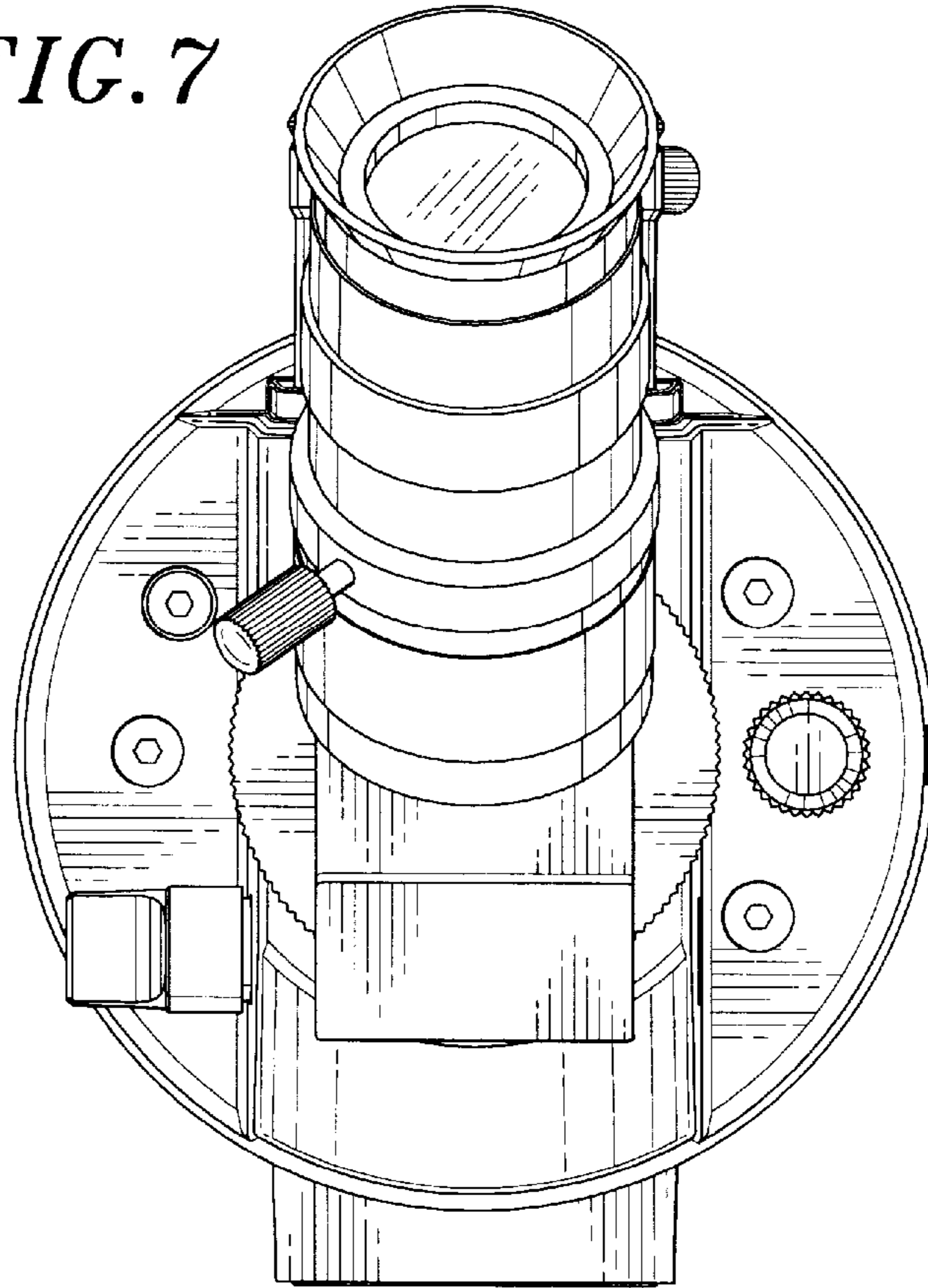


FIG. 8

