



US00D417679S

United States Patent [19]

Cross et al.

[11] Patent Number: **Des. 417,679**

[45] Date of Patent: **** Dec. 14, 1999**

[54] RIFLE SCOPE WITH ZOOM

[75] Inventors: **John W. Cross; Christopher A. Lalik; Claus O. Huckenbeck**, all of Overland Park, Kans.

[73] Assignee: **Bushnell Corporation**, Overland Park, Kans.

[**] Term: **14 Years**

[21] Appl. No.: **29/095,685**

[22] Filed: **Oct. 28, 1998**

[51] LOC (6) Cl. **16-06**

[52] U.S. Cl. **D16/132; D16/134; D22/109**

[58] Field of Search **D16/130, 132, D16/134; D22/108, 109; 33/245, 247, 248; 359/422, 673, 677, 698**

[56] References Cited

U.S. PATENT DOCUMENTS

D. 235,918	7/1975	Huckenbeck	D16/135
D. 239,658	4/1976	Huckenbeck	D16/132
D. 264,851	6/1982	Huckenbeck	D16/134
D. 308,981	7/1990	Moore	D16/132
D. 313,607	1/1991	Moore	D16/132
3,295,811	1/1967	Gilwosky	33/245 X
3,392,450	7/1968	Herter et al.	33/245
3,875,675	4/1975	Krisay	33/245
4,255,013	3/1981	Allen .	
4,408,842	10/1983	Gibson .	
4,777,730	10/1988	Huggins	33/245
4,822,994	4/1989	Johnson et al.	33/245

4,841,659	6/1989	Williams	33/245
4,952,041	8/1990	Sandall .	
4,998,811	3/1991	Basta .	
5,020,892	6/1991	Glover et al. .	
5,180,875	1/1993	Berry, Jr. et al. .	
5,276,554	1/1994	Nassivera .	
5,388,005	2/1995	Wilson .	
5,406,733	4/1995	Tarlton et al.	33/245
5,521,757	5/1996	Olson .	
5,528,847	6/1996	Fisher et al. .	

Primary Examiner—Paula A. Mortimer
Attorney, Agent, or Firm—Litman, Kraai & Brown L.L.C.

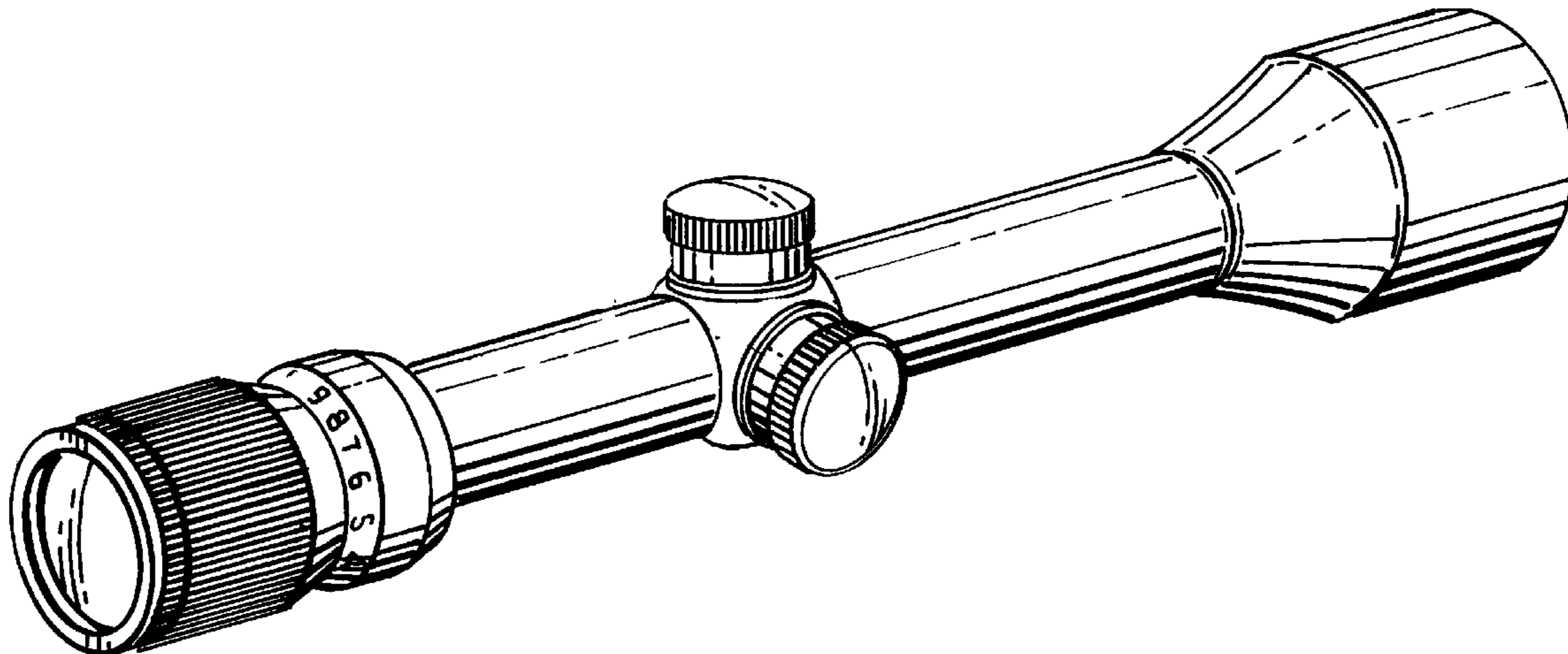
[57] CLAIM

The ornamental design for a rifle scope with zoom, as shown and described.

DESCRIPTION

FIG. 1 is a front perspective view of a rifle scope with zoom showing our new design;
 FIG. 2 is a bottom plan view of the rifle scope with zoom of FIG. 1;
 FIG. 3 is a front elevational view of the rifle scope with zoom of FIG. 1;
 FIG. 4 is a rear elevational view of the rifle scope with zoom of FIG. 1;
 FIG. 5 is a left side elevational view of the rifle scope with zoom of FIG. 1;
 FIG. 6 is a top plan view of the rifle scope with zoom of FIG. 1; and,
 FIG. 7 is a right side elevational view of the rifle scope with zoom of FIG. 1.

1 Claim, 2 Drawing Sheets



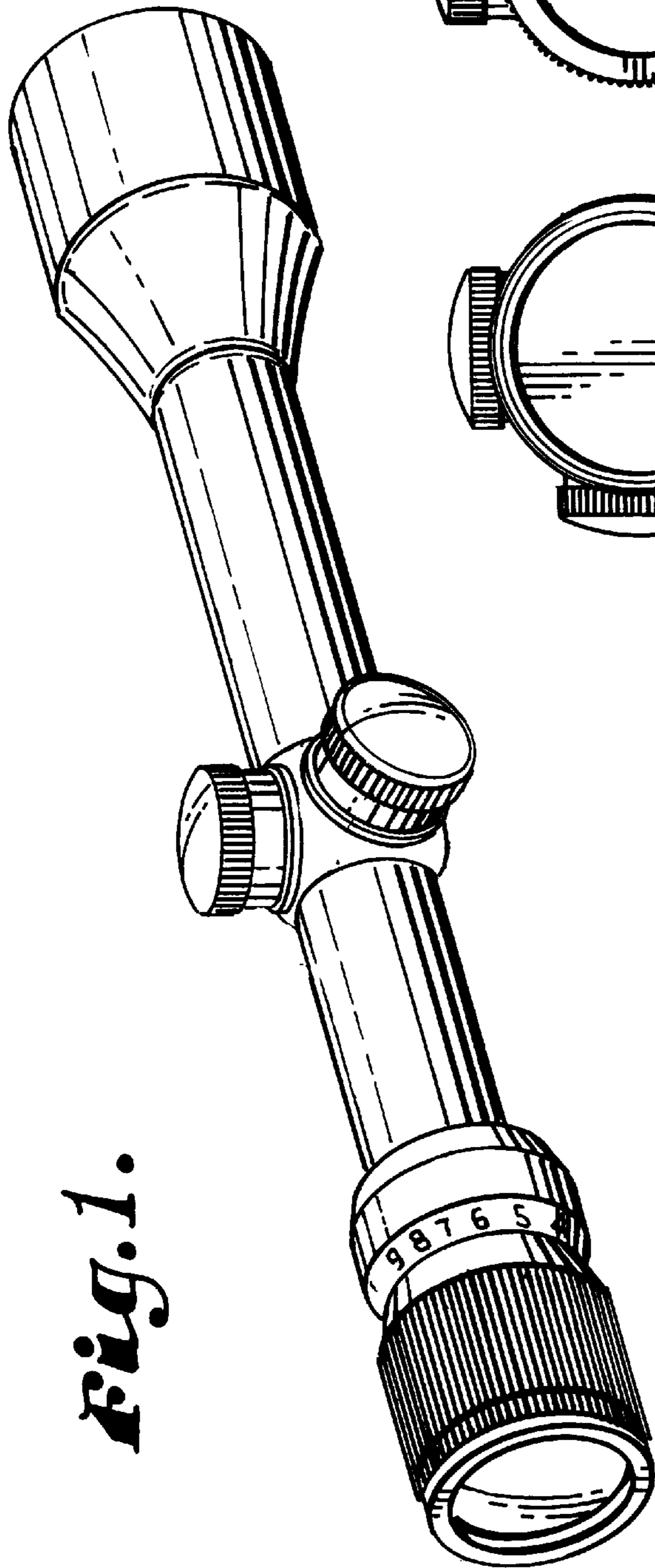


Fig. 1.

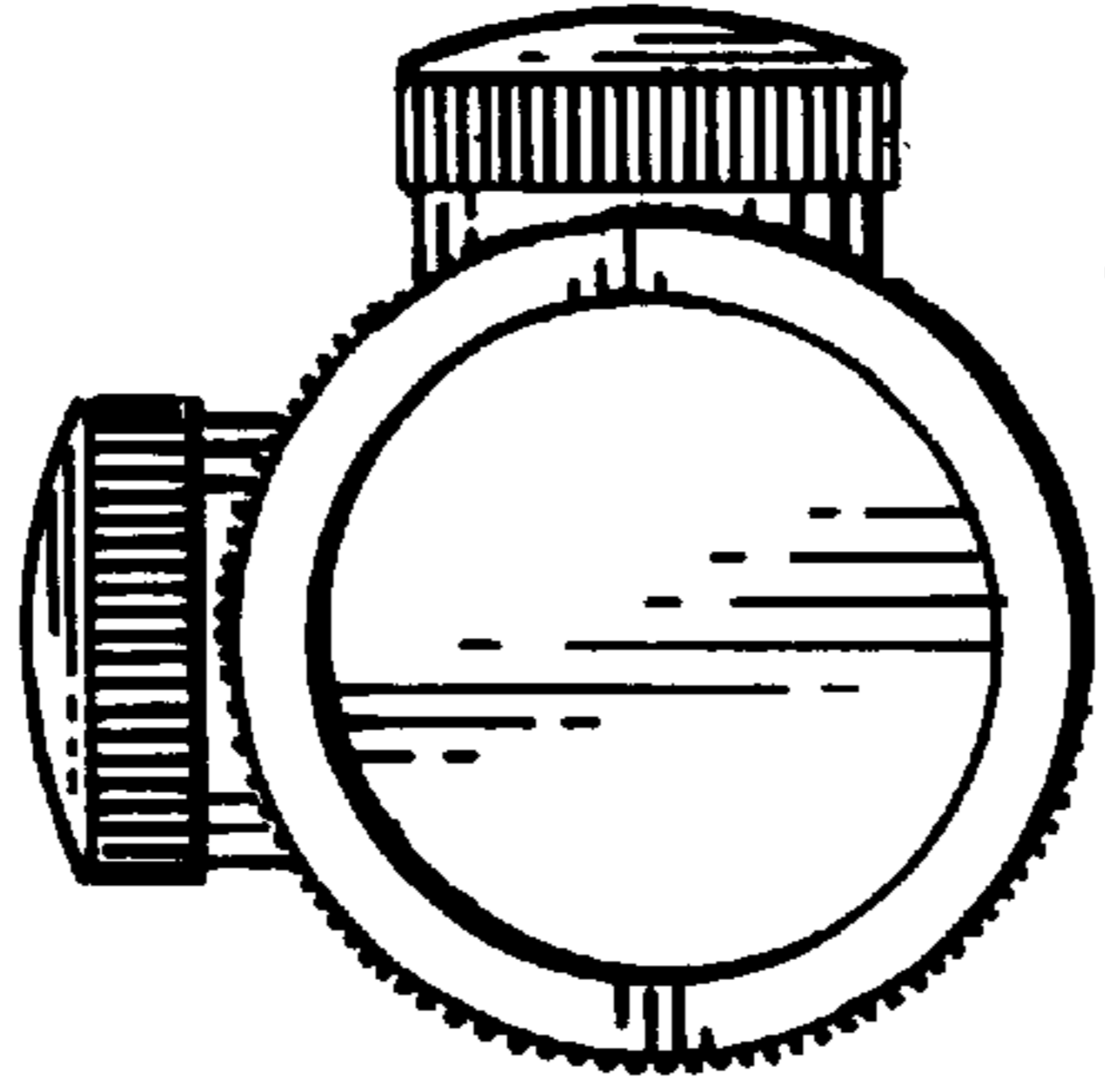


Fig. 4.

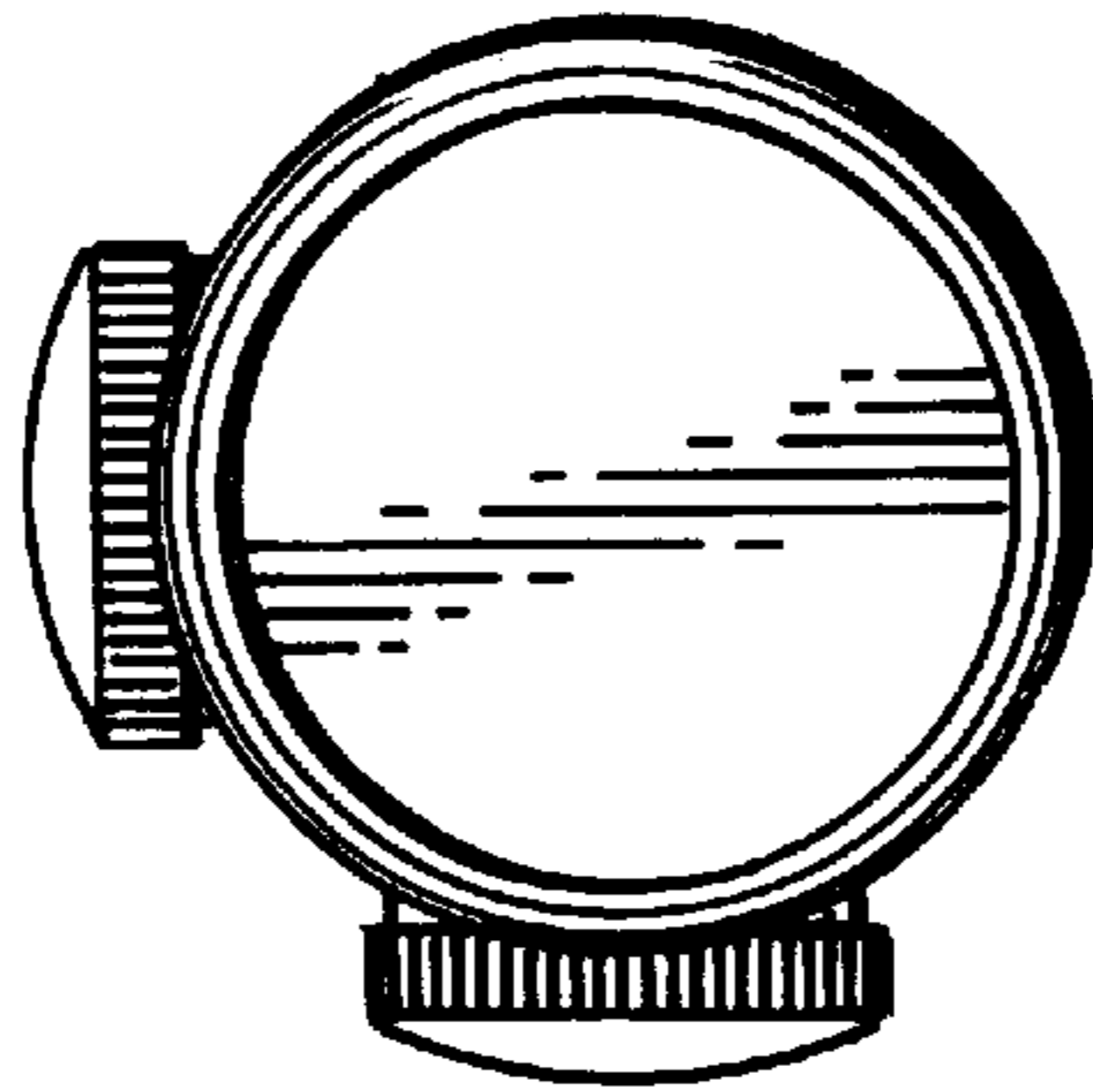


Fig. 3.

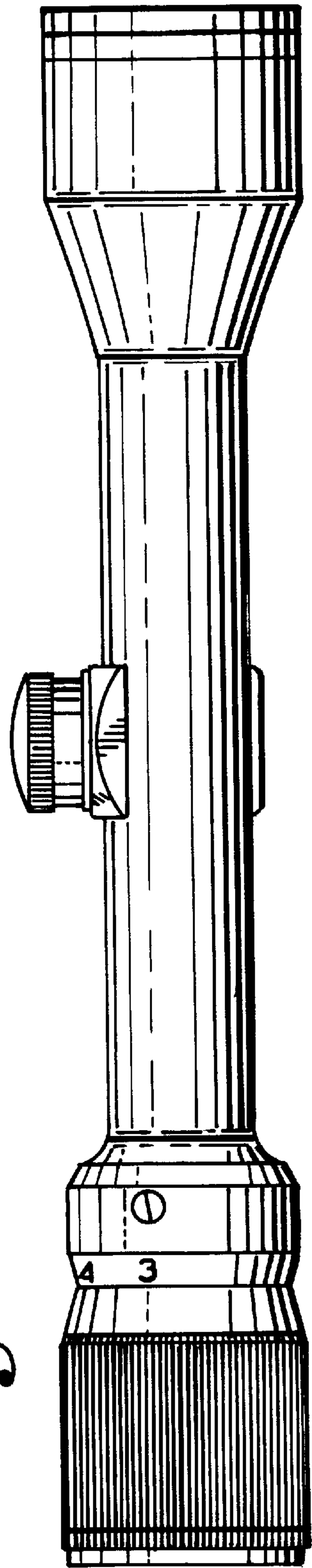


Fig. 2.

Fig. 5.

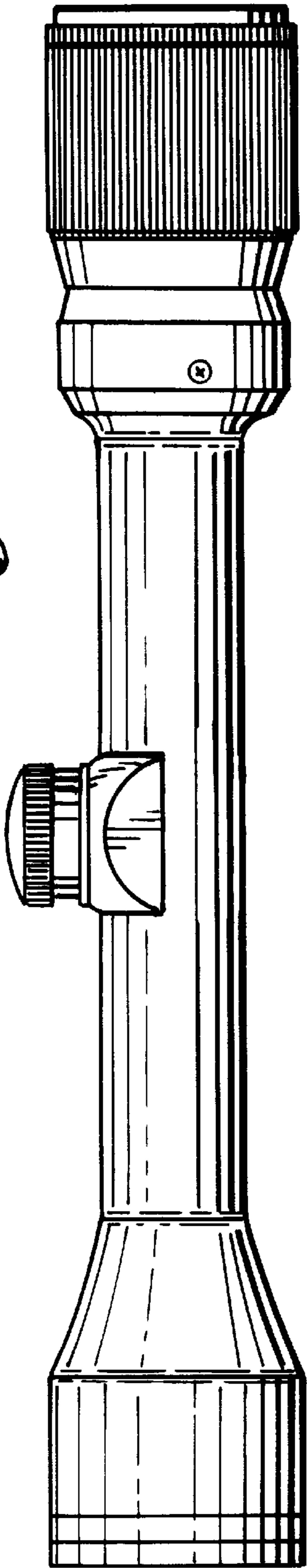


Fig. 6.

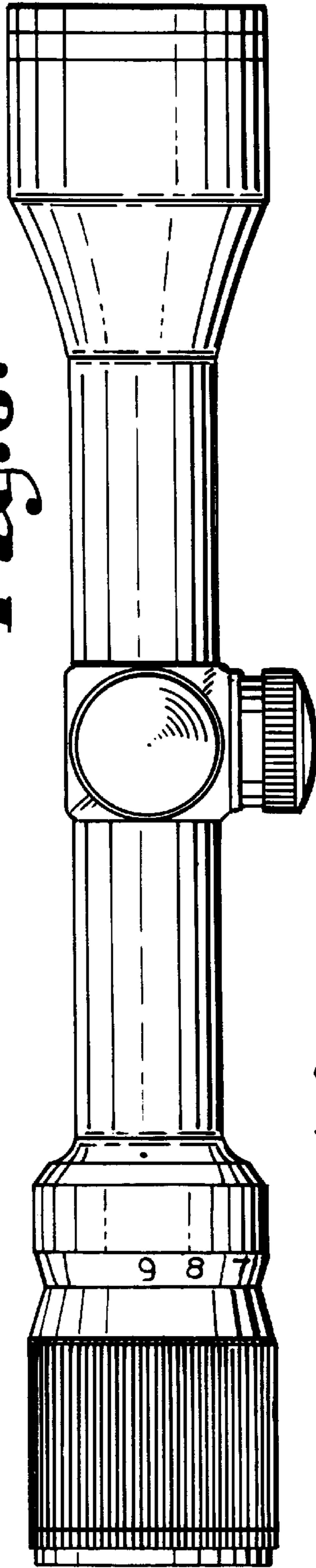


Fig. 7.

