



US00D417677S

United States Patent [19]

Neri et al.

[11] Patent Number: **Des. 417,677**

[45] Date of Patent: **** Dec. 14, 1999**

[54] **PORTABLE PAINT MIXER**

Attorney, Agent, or Firm—Thomas A. Beck

[76] Inventors: **Sergio P. Neri**, 5 Mark Cermele Ct., Lawrenceville, N.J. 08648; **Dennis H. Le**, 1806 Lukens Ave., Willow Grove, Pa. 19090

[57] **CLAIM**

The ornamental design for a portable paint mixer, as shown and described

[**] Term: **14 Years**

DESCRIPTION

[21] Appl. No.: **29/086,644**

FIG. 1 is a frontal isometric view of the portable paint mixer showing our new design.

[22] Filed: **Apr. 16, 1998**

FIG. 2 is a front view of the portable paint mixer showing our new design.

[51] **LOC (6) Cl.** **15-09**

FIG. 3 is a rear isometric view of the portable paint mixer showing our new design.

[52] **U.S. Cl.** **D15/140**

FIG. 4 is a right side of the portable paint mixer showing our new design.

[58] **Field of Search** D15/140; 366/317, 366/219, 208, 209

FIG. 5 is a rear view of the portable paint mixer showing our new design; and,

[56] **References Cited**

FIG. 6 is a top view of the portable paint mixer showing our new design.

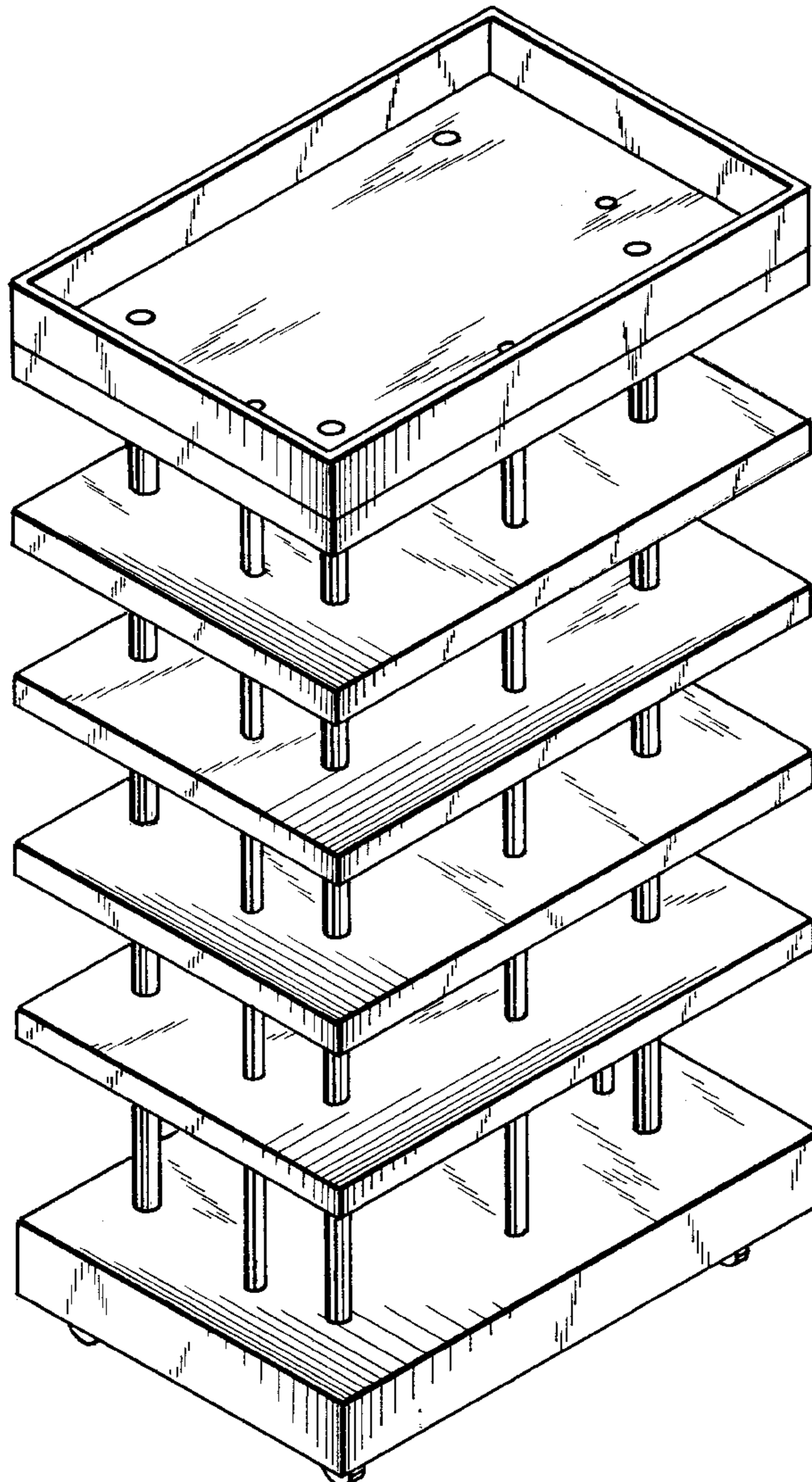
U.S. PATENT DOCUMENTS

D. 344,091 2/1994 Plumlee et al. D15/140
5,346,303 9/1994 Heinonen et al. 366/208

FIG. 7 is a bottom view of the portable paint mixer showing our new design.

Primary Examiner—Antoine Duval Davis

1 Claim, 6 Drawing Sheets



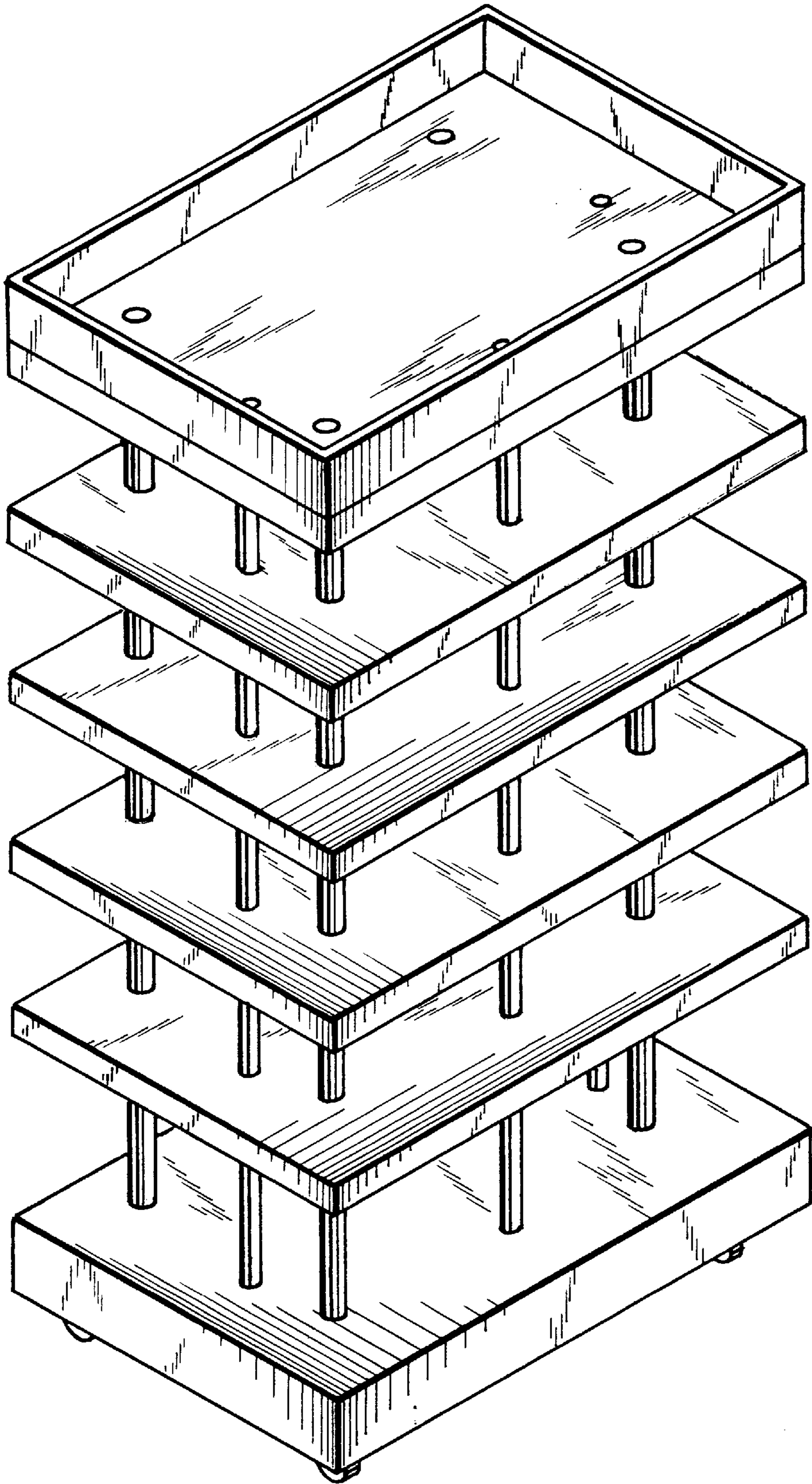


FIG.1

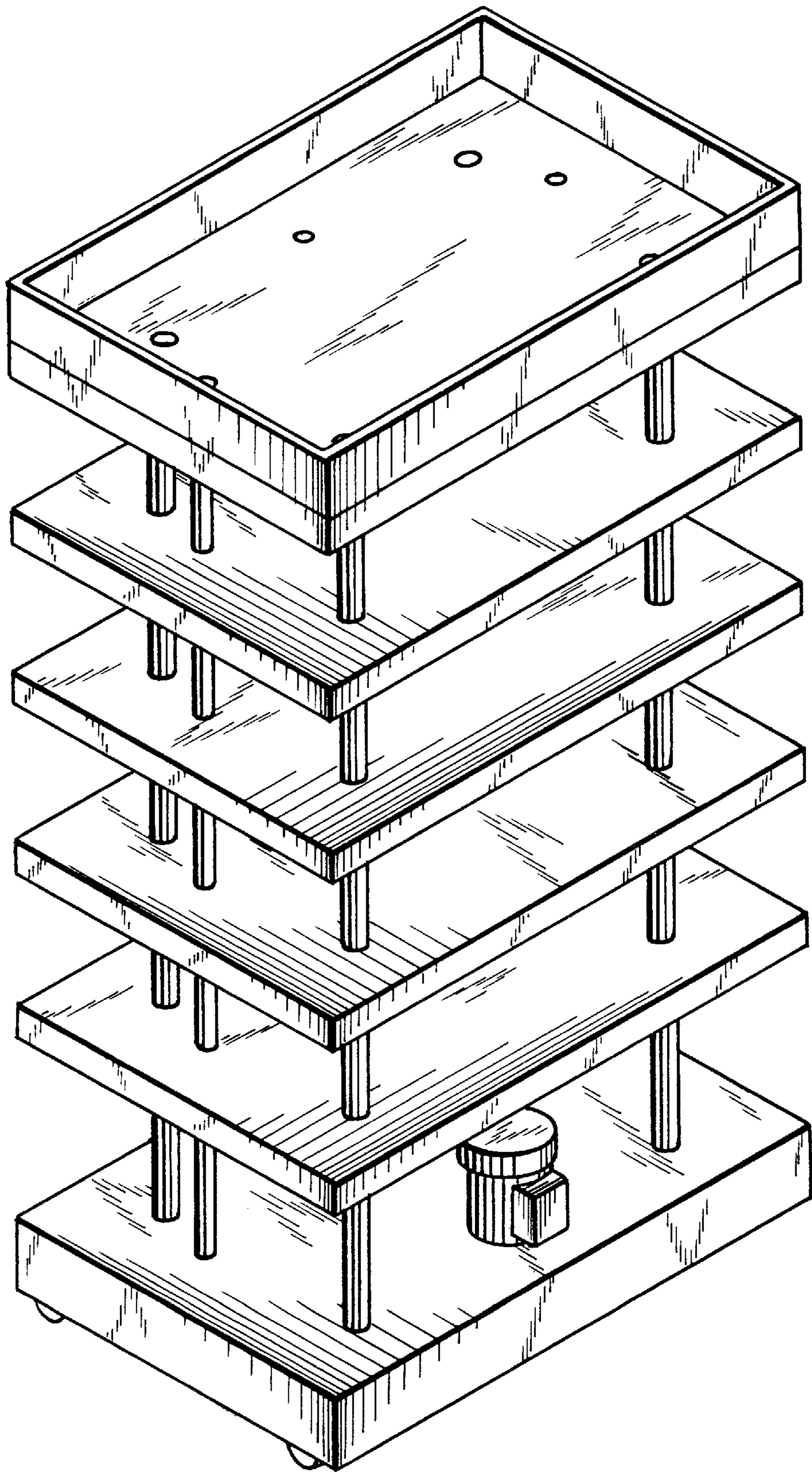


FIG.2

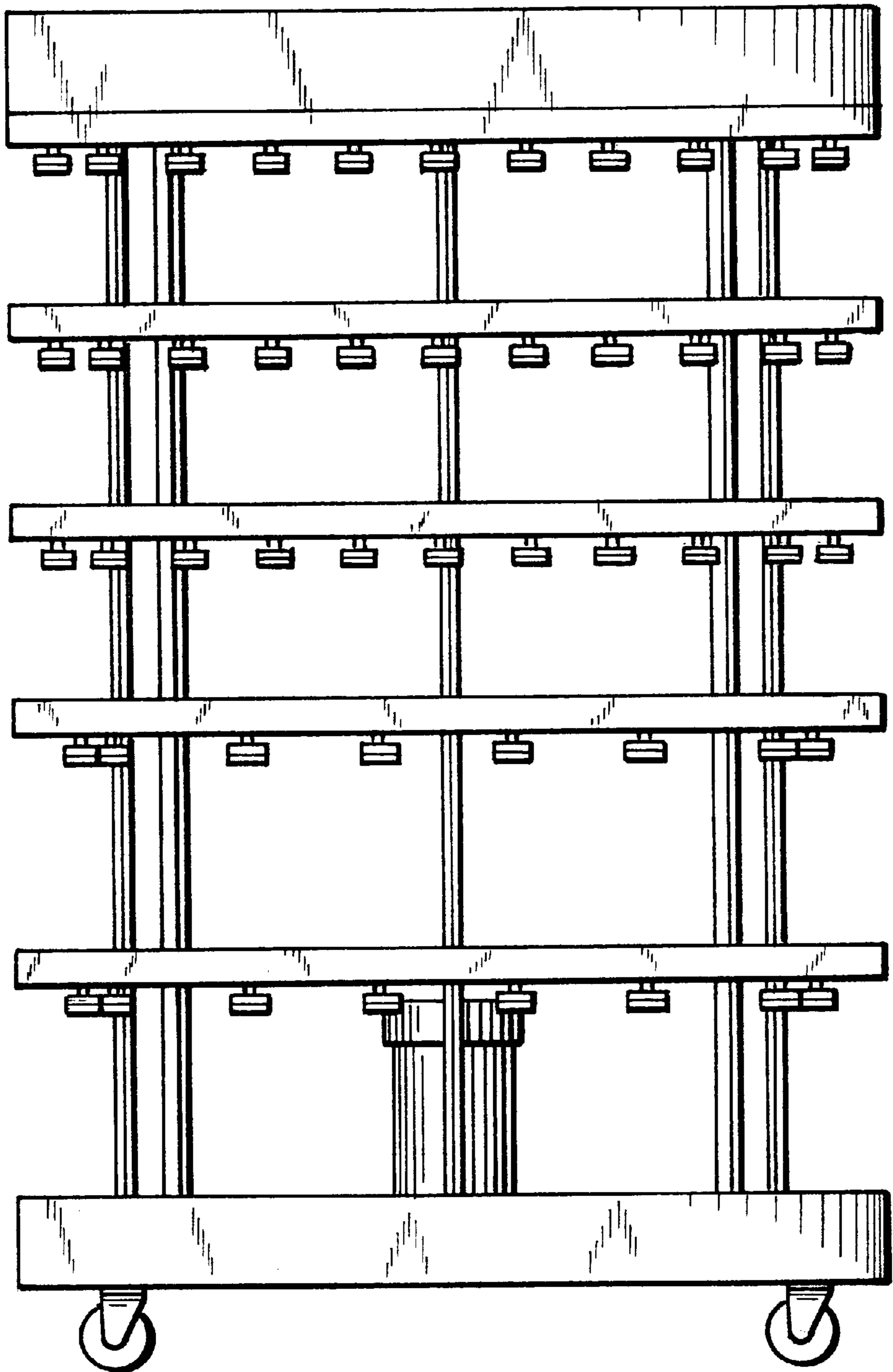


FIG.3

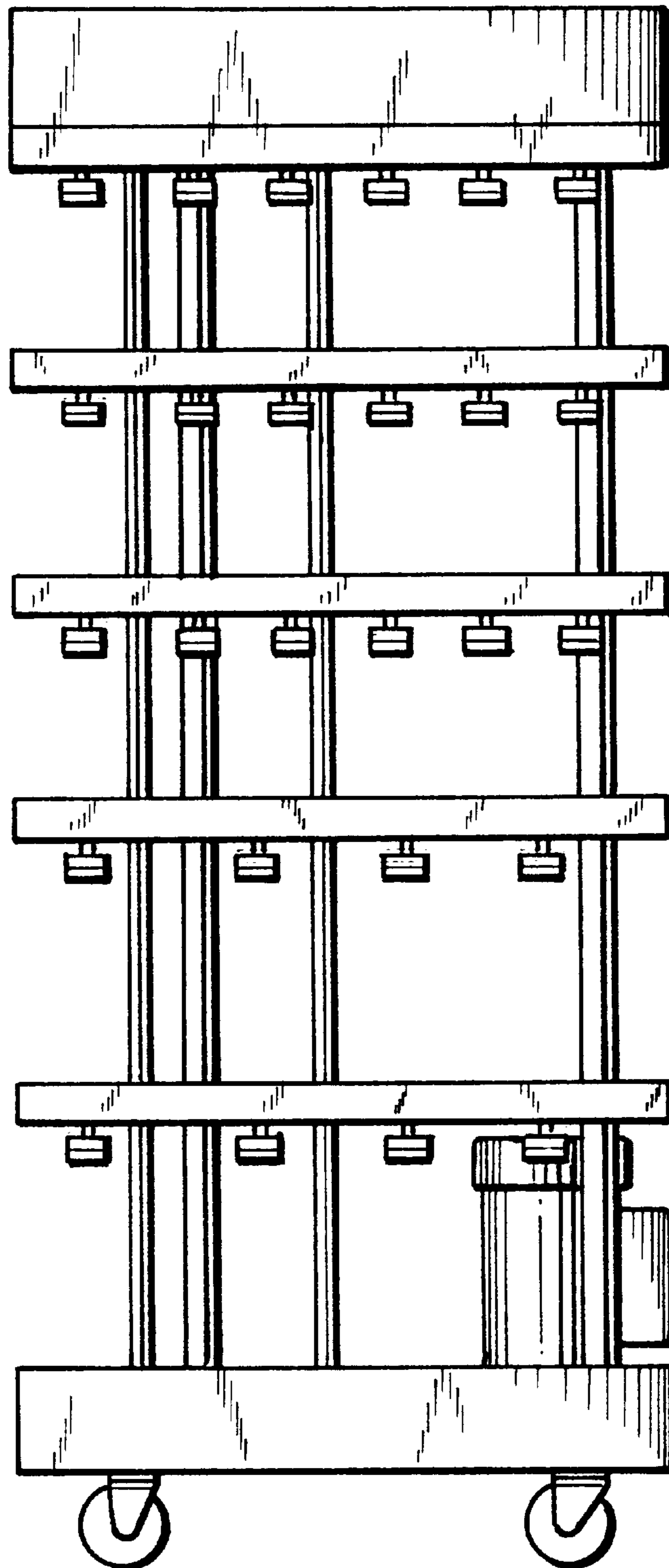


FIG.4

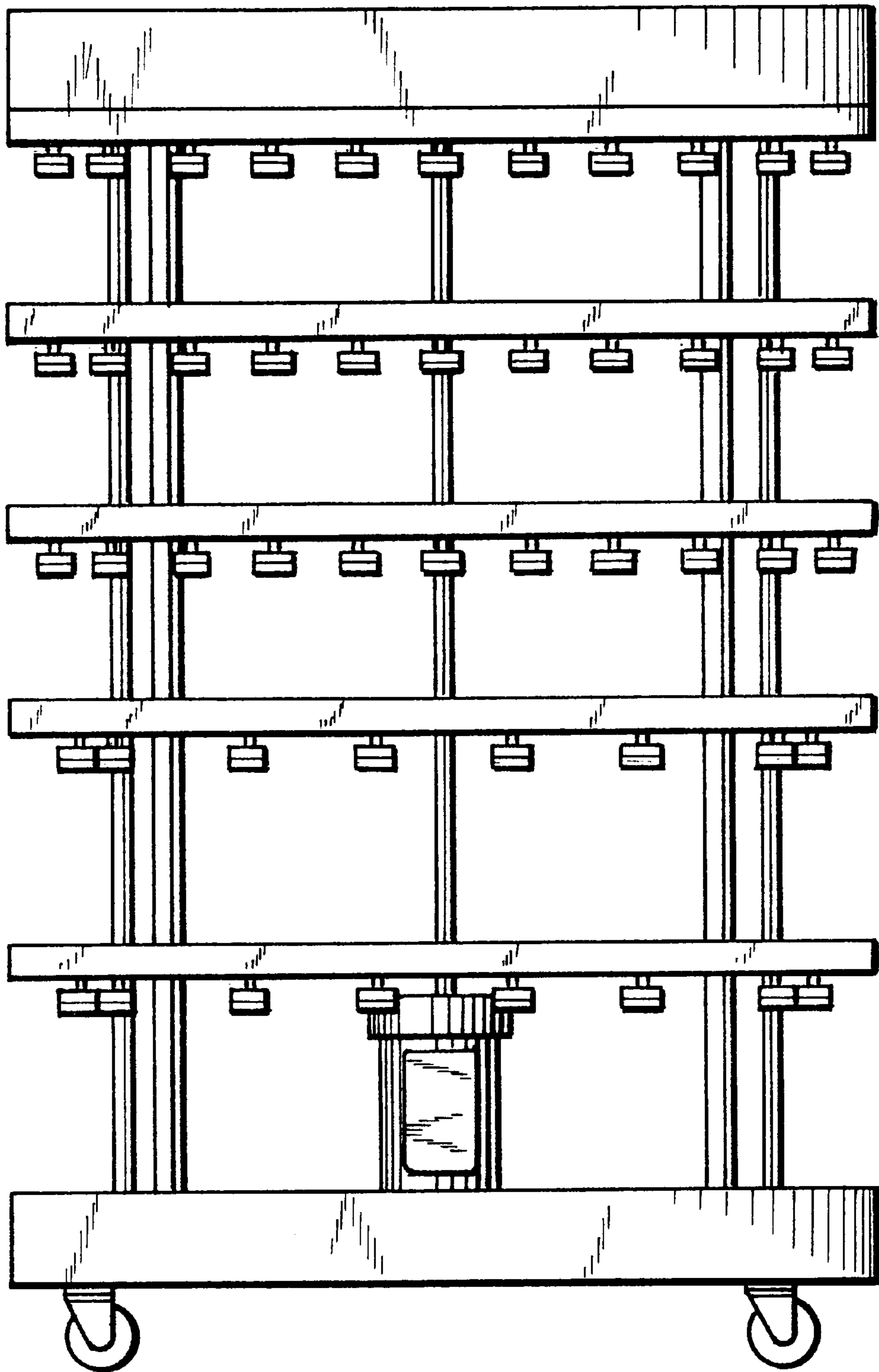


FIG.5

FIG.6

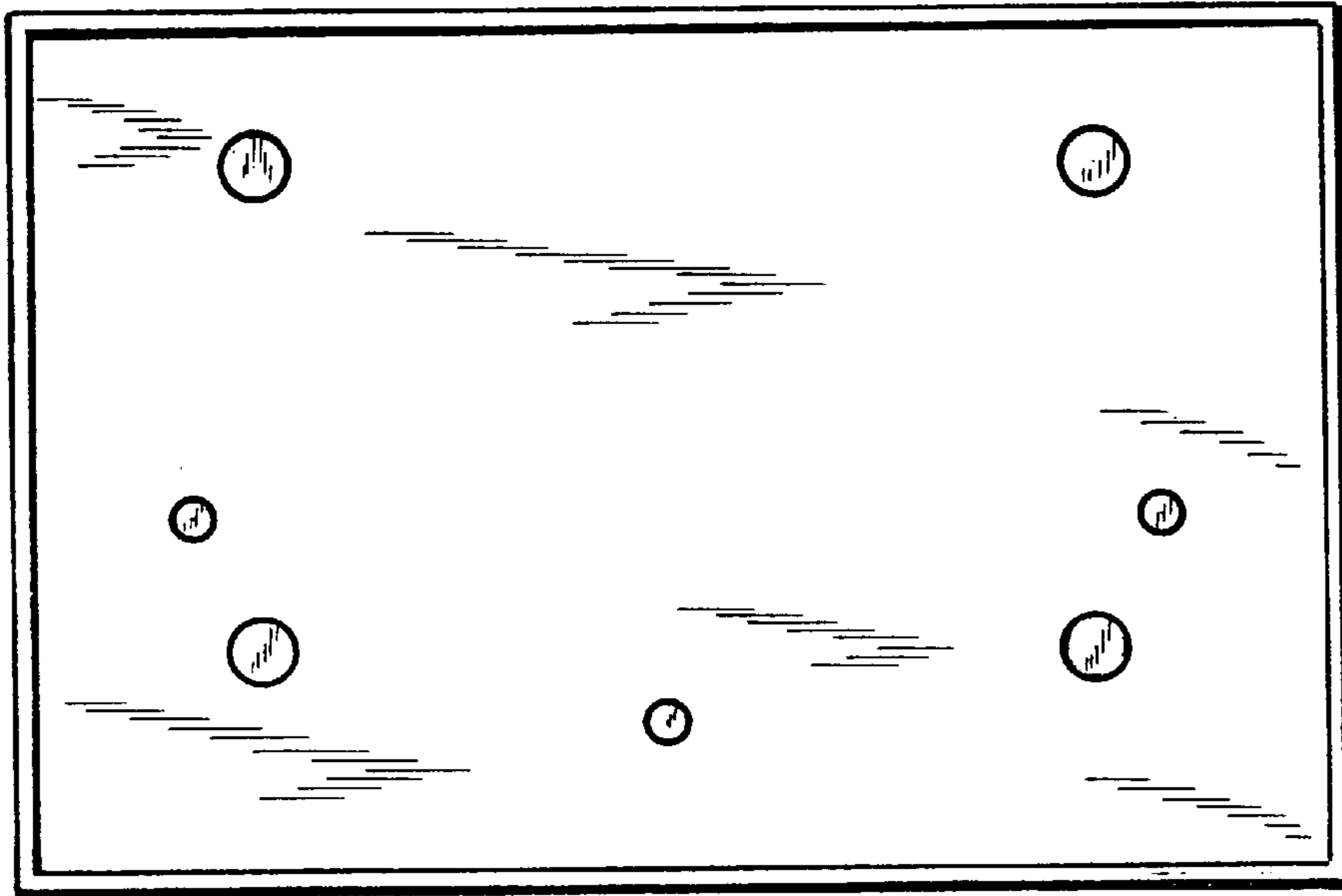


FIG.7

