



US00D417676S

United States Patent [19] Havener

[11] **Patent Number: Des. 417,676**

[45] **Date of Patent: ** Dec. 14, 1999**

[54] **SULKY FOR WALK-BEHIND MOWERS**

5,413,364 5/1995 Hafendorfer 280/32.7
5,657,620 8/1997 Thagard et al. 56/320.1

[75] Inventor: **Chris Havener**, Bradley, Ill.

Primary Examiner—Sandra L. Morris
Attorney, Agent, or Firm—Knechtel, Demeur & Samlan

[73] Assignee: **Havener Enterprises, Inc.**, Bradley, Ill.

[**] Term: **14 Years**

[57] **CLAIM**

[21] Appl. No.: **29/070,001**

I claim the ornamental design for a “sulky for a walk-behind mowers,” as shown and described.

[22] Filed: **Apr. 21, 1997**

DESCRIPTION

[51] **LOC (6) Cl.** **15-03**

[52] **U.S. Cl.** **D15/17; D15/27**

[58] **Field of Search** D15/10-28; 56/174,
56/202, 255, 294, 320.1, 320.2; 280/32.7

FIG. 1 is an oblique perspective of a “sulky for walk-behind mowers” showing my new design;
FIG. 2 is a front view thereof;
FIG. 3 is top view thereof;
FIG. 4 is a back view thereof;
FIG. 5 is a bottom view thereof;
FIG. 6 is a left side view thereof; and,
FIG. 7 is a right side view thereof.

[56] **References Cited**

U.S. PATENT DOCUMENTS

3,346,973 10/1967 Meyer et al. D15/27
4,998,948 3/1991 Osterling 56/12.6
5,004,251 4/1991 Velke et al. 280/32.7

1 Claim, 2 Drawing Sheets

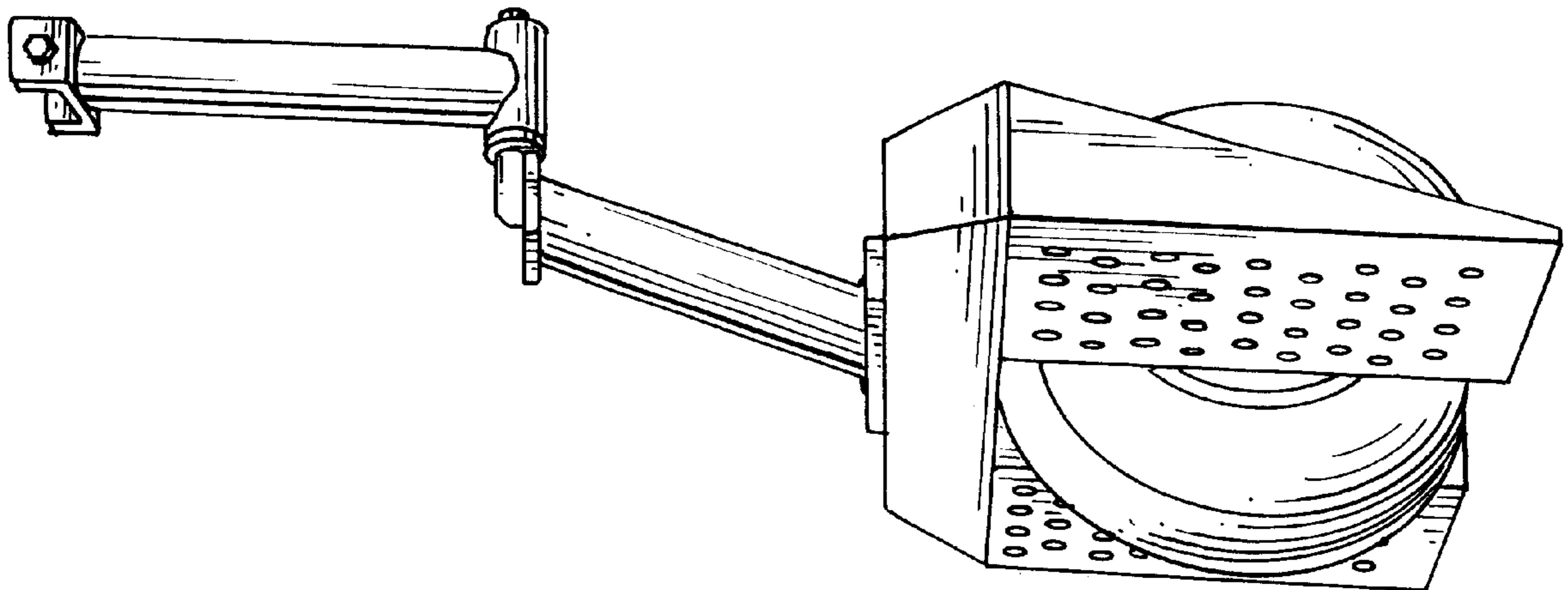


FIG. 1

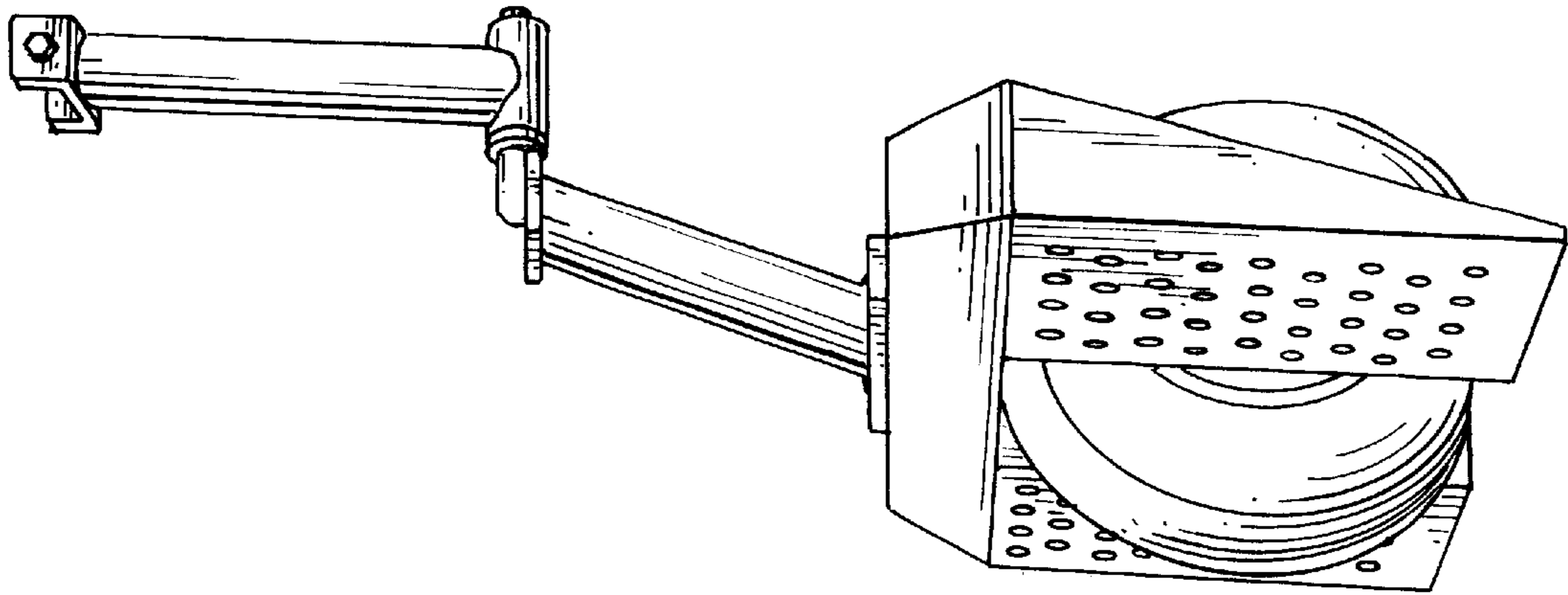


FIG. 2

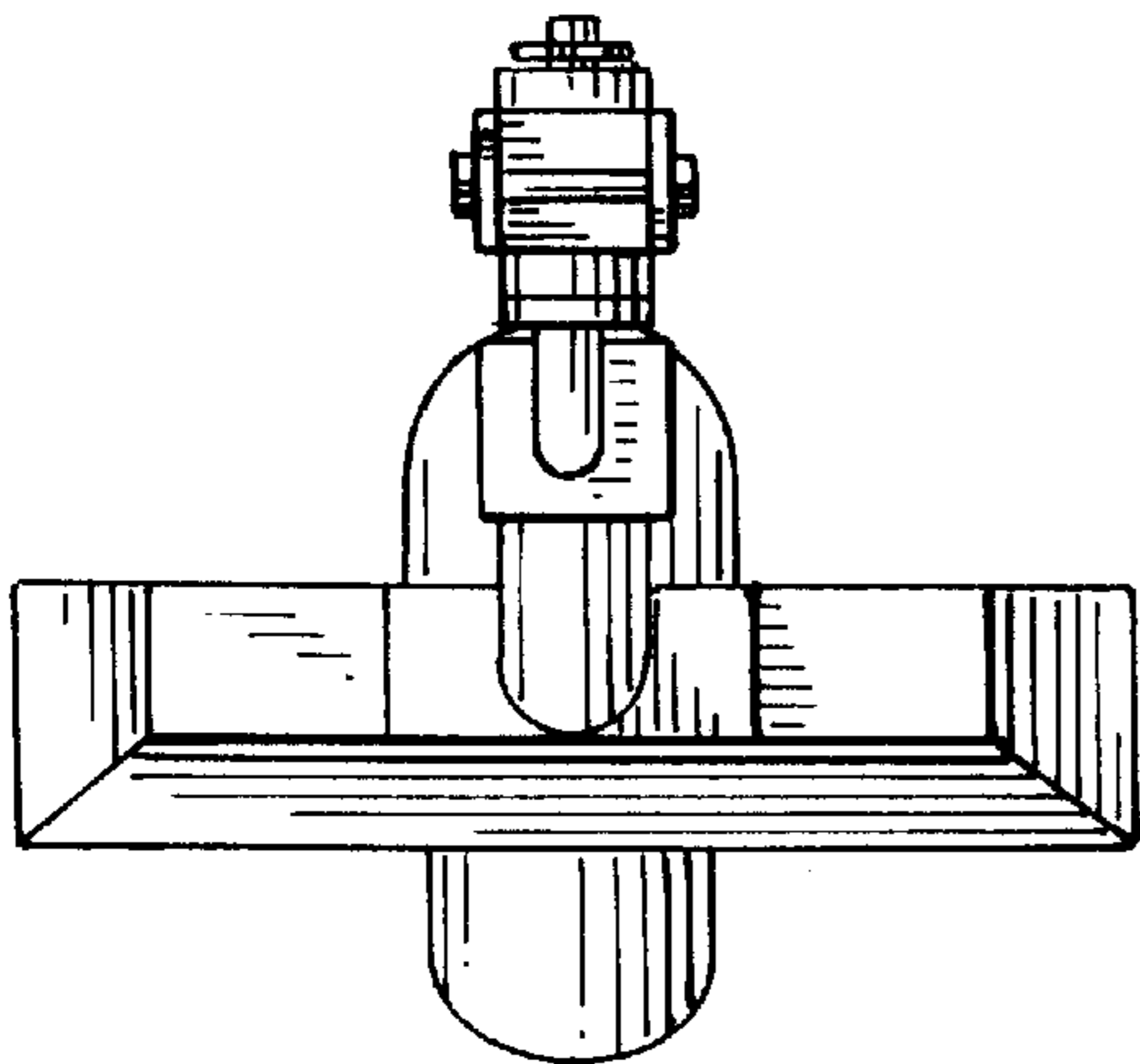


FIG. 4

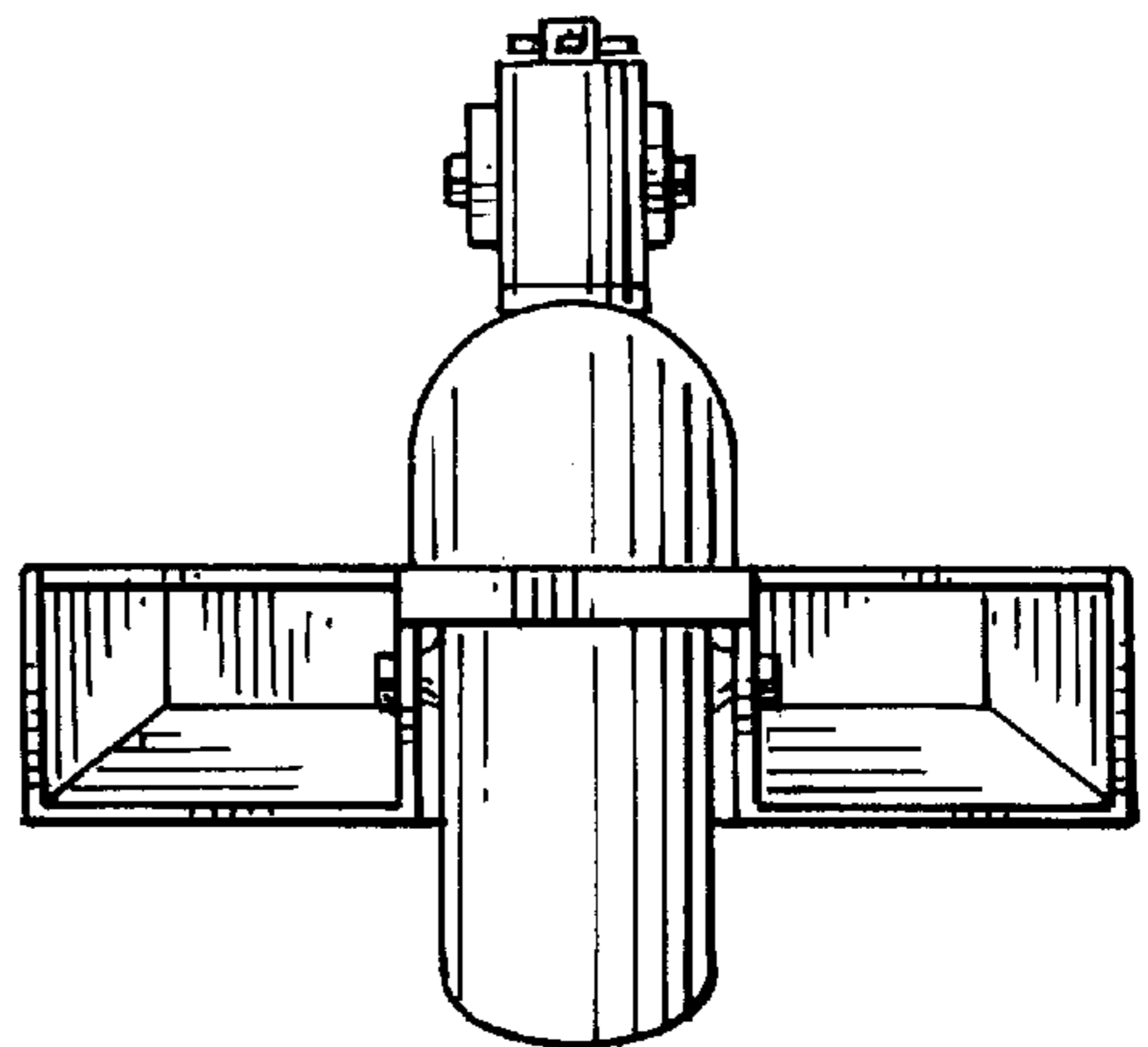


FIG. 3

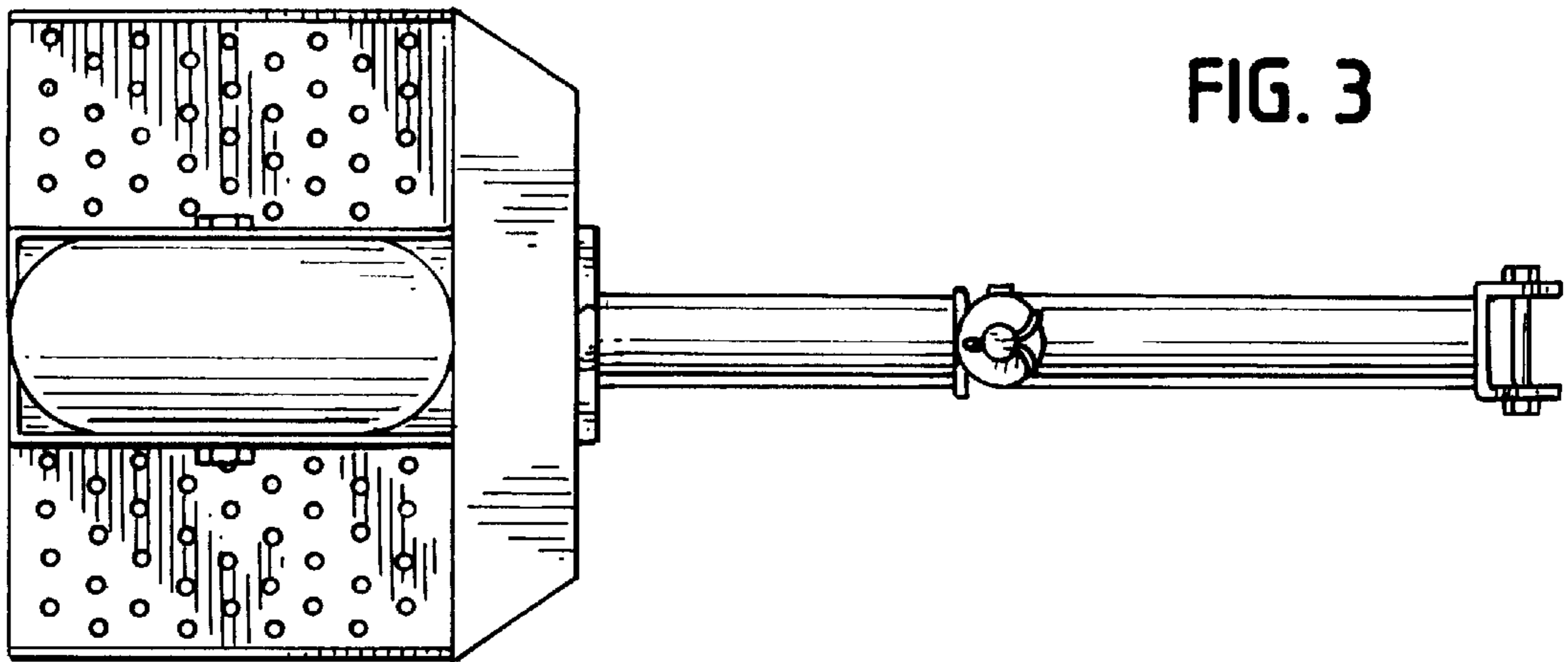


FIG. 5

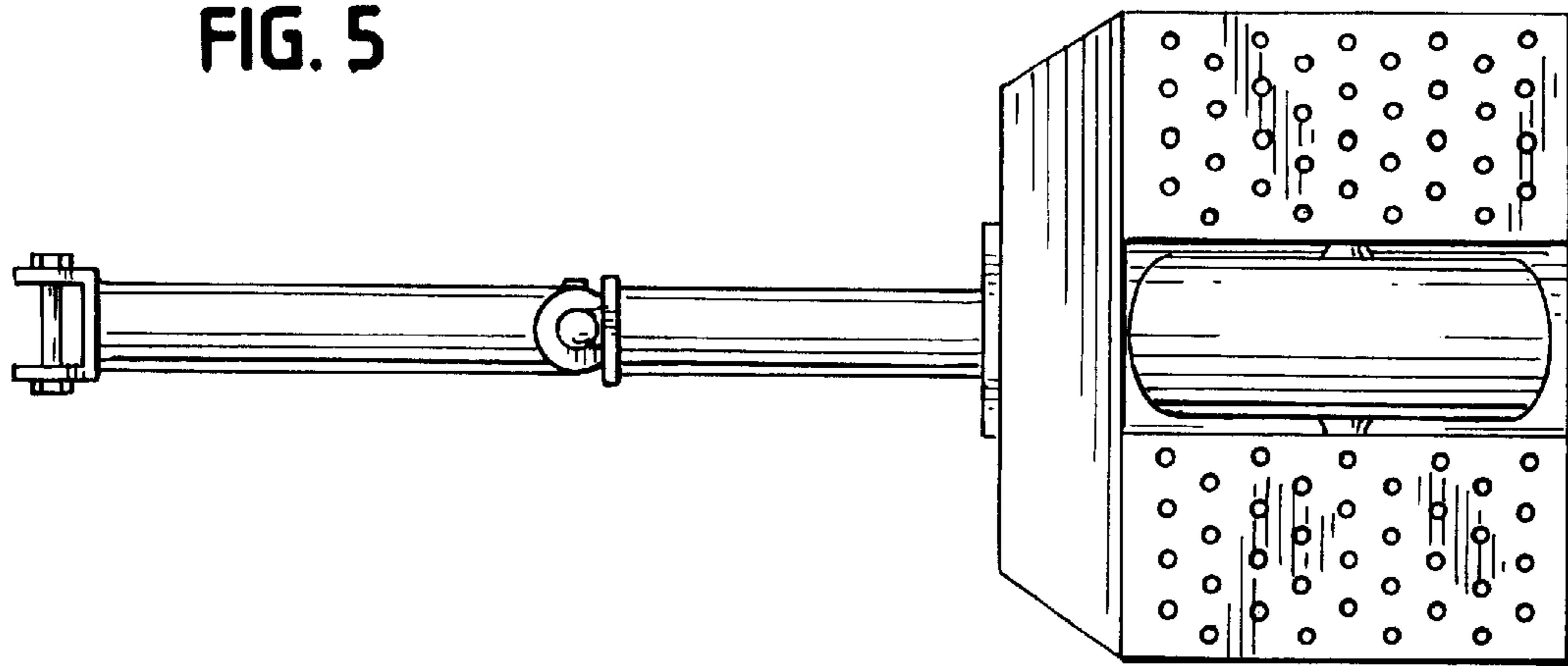


FIG. 6

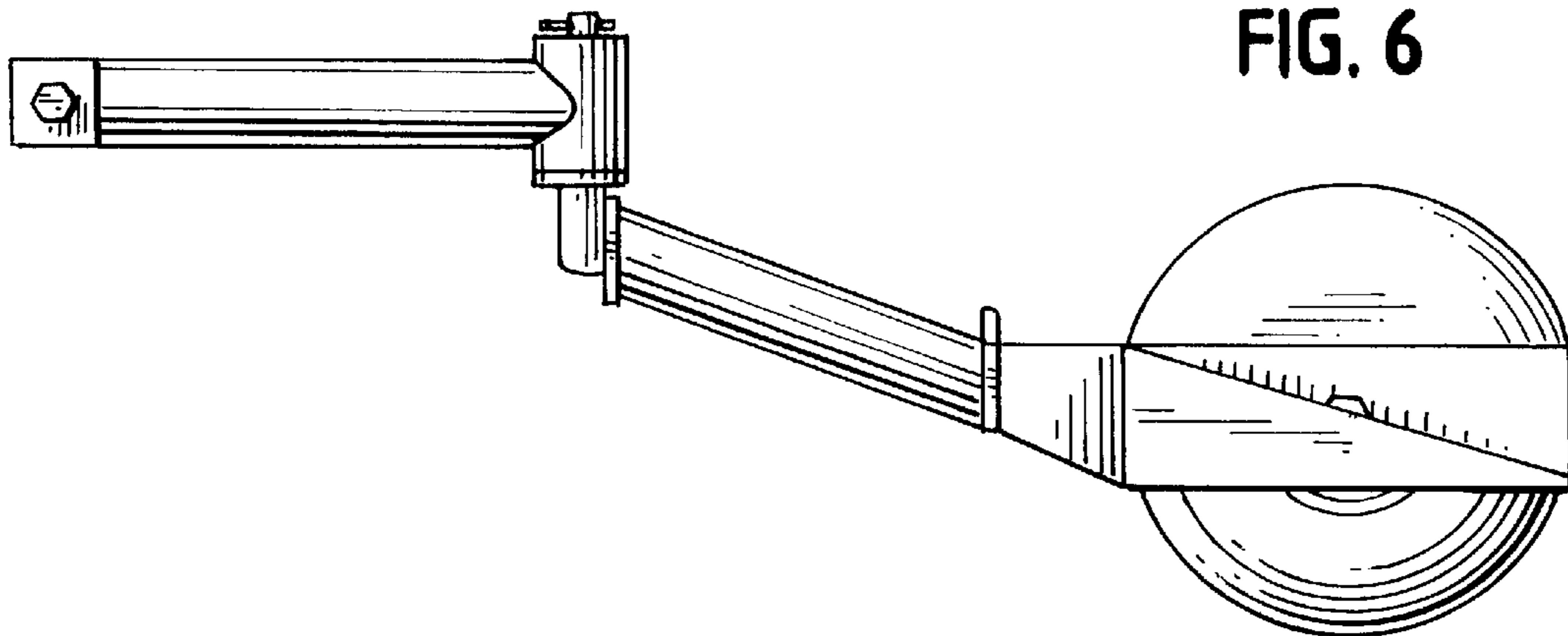


FIG. 7

