



US00D417666S

United States Patent [19] Morooka

[11] Patent Number: **Des. 417,666**

[45] Date of Patent: **** Dec. 14, 1999**

[54] **HEADPHONE FOR MONITOR TELEVISION**

[75] Inventor: **Takashi Morooka**, Tokyo, Japan

[73] Assignee: **Sony Corporation**, Tokyo, Japan

[**] Term: **14 Years**

[21] Appl. No.: **29/079,726**

[22] Filed: **Nov. 20, 1997**

Related U.S. Application Data

[63] Continuation-in-part of application No. 29/080,664, Sep. 25, 1997, which is a continuation-in-part of application No. 29/072,218, May 22, 1997, which is a continuation-in-part of application No. 29/057,190, Jul. 18, 1996, abandoned.

[30] Foreign Application Priority Data

May 21, 1997 [JP] Japan 9-55015

[51] **LOC (6) Cl.** **02-03**

[52] **U.S. Cl.** **D14/124**

[58] **Field of Search** D14/124, 114, D14/100; D21/324, 103-112; D26/38, 39; 273/148 B; 463/1, 29-35, 46, 47; 345/7, 8, 9, 905; 348/53, 115, 121, 838; 359/407, 431, 443, 480, 630; 351/158

[56] References Cited

U.S. PATENT DOCUMENTS

| | | | | |
|------------|---------|-----------------|-------|-----------|
| D. 282,020 | 1/1986 | Gwon et al. | | D14/192 X |
| D. 352,046 | 11/1994 | Kataoka | | D16/309 |
| D. 363,482 | 10/1995 | Robinson et al. | | D14/124 |
| D. 370,909 | 6/1996 | Oikawa et al. | | D14/124 |
| D. 375,495 | 11/1996 | Maclness et al. | | D14/124 |
| D. 383,455 | 9/1997 | Maclness et al. | | D14/124 |

| | | | | |
|-----------|---------|-----------------|-------|---------|
| 4,971,429 | 11/1990 | Ishido et al. | | 359/409 |
| 5,757,339 | 5/1998 | Williams et al. | | 345/8 |
| 5,774,096 | 6/1998 | Usuki et al. | | 345/8 |
| 5,781,165 | 7/1998 | Tabata | | 345/8 |
| 5,844,530 | 12/1998 | Tosaki | | 345/7 X |

OTHER PUBLICATIONS

Sears Toys Cat, p. 662, 1980
Hongkong Enterprise, p. 277, Oct. 1994.
Sony Catalog No., PLM-100 and PLM-50, Feb., 1997.
Hammacher Schlemmer Holiday Catalog, p. 18, Binoculars (Oct. 18, 1990).
Catalog "Color Television Monitor\Hi-Vision", PLM-50, p. 18, Sony (Nov. 1996).

Primary Examiner—Prabhakar Deshmukh
Attorney, Agent, or Firm—Foley & Lardner

[57] CLAIM

The ornamental design for a headphone for a monitor television, as shown and described.

DESCRIPTION

FIG. 1 is a perspective view of a headphone for a monitor television showing our new design;
FIG. 2 is a top plan view thereof;
FIG. 3 is a left side elevational view thereof;
FIG. 4 is a front elevational view thereof;
FIG. 5 is a bottom plan view thereof;
FIG. 6 is a right side elevational view thereof;
FIG. 7 is a rear elevational view thereof; and,
FIG. 8 is a perspective view thereof; similar to FIG. 1 shown in it's environmental use; the broken line showing of human figure is for illustrative purpose only and forms no part of the claimed design.

1 Claim, 5 Drawing Sheets

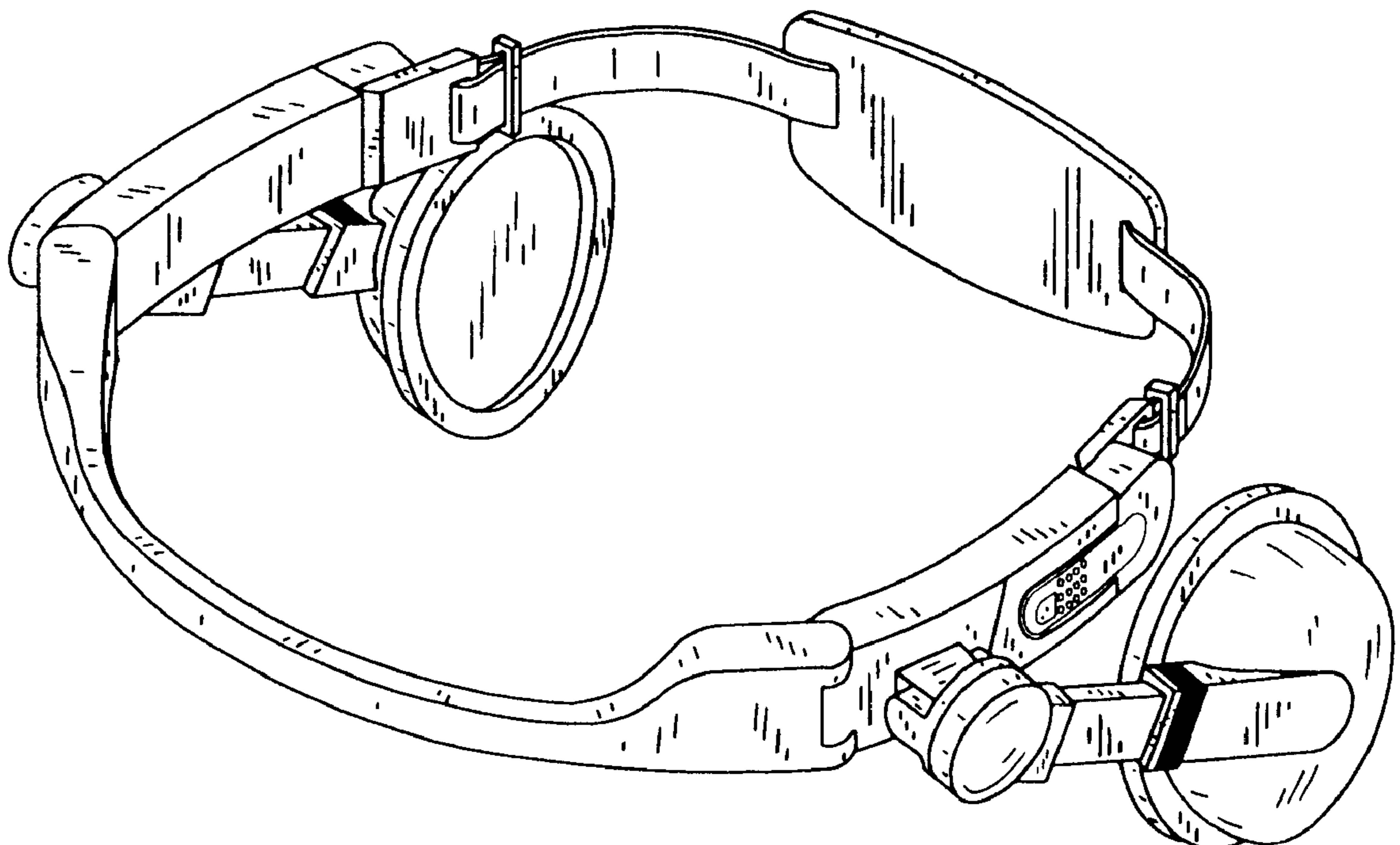


FIG. 1

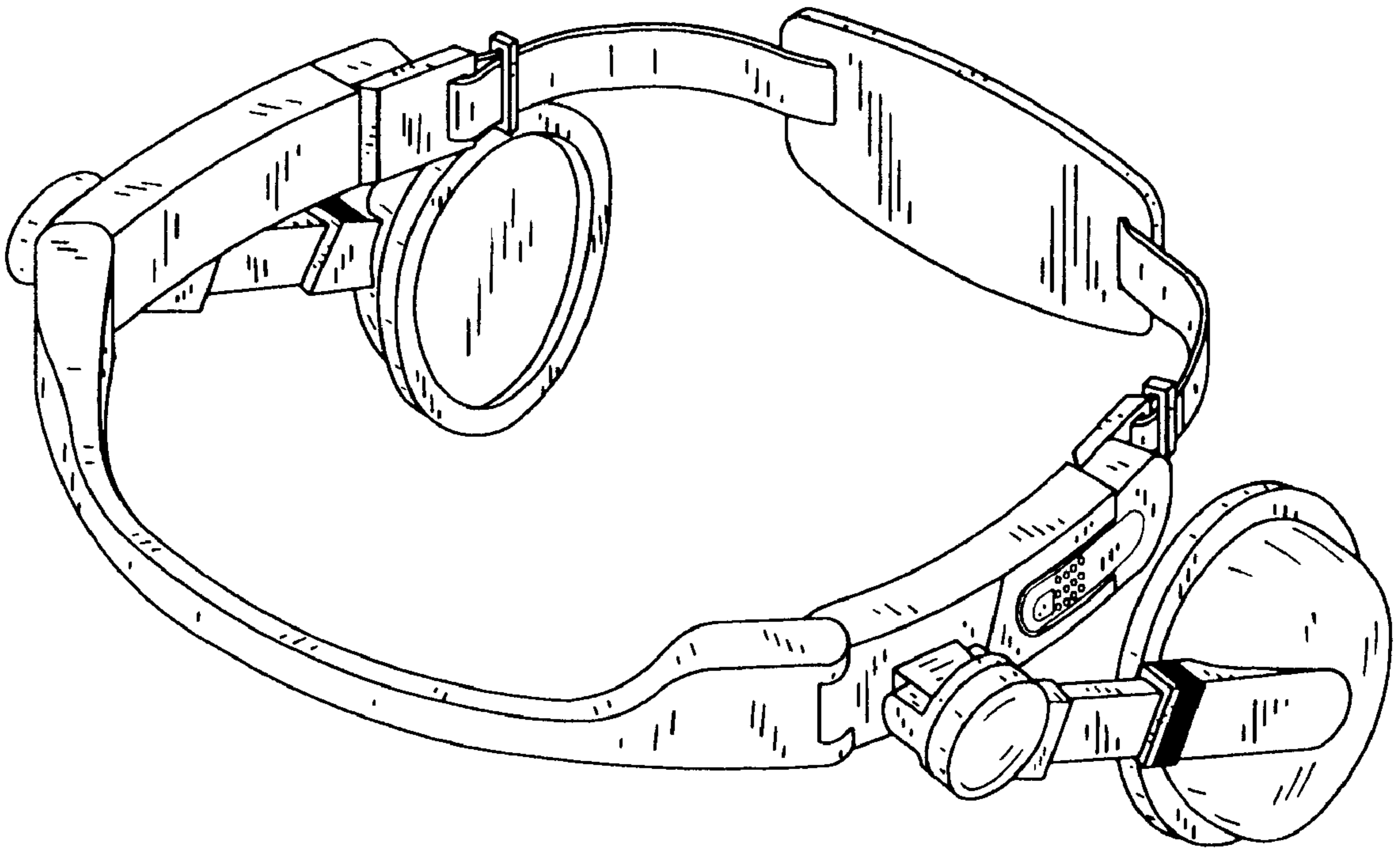


FIG. 2

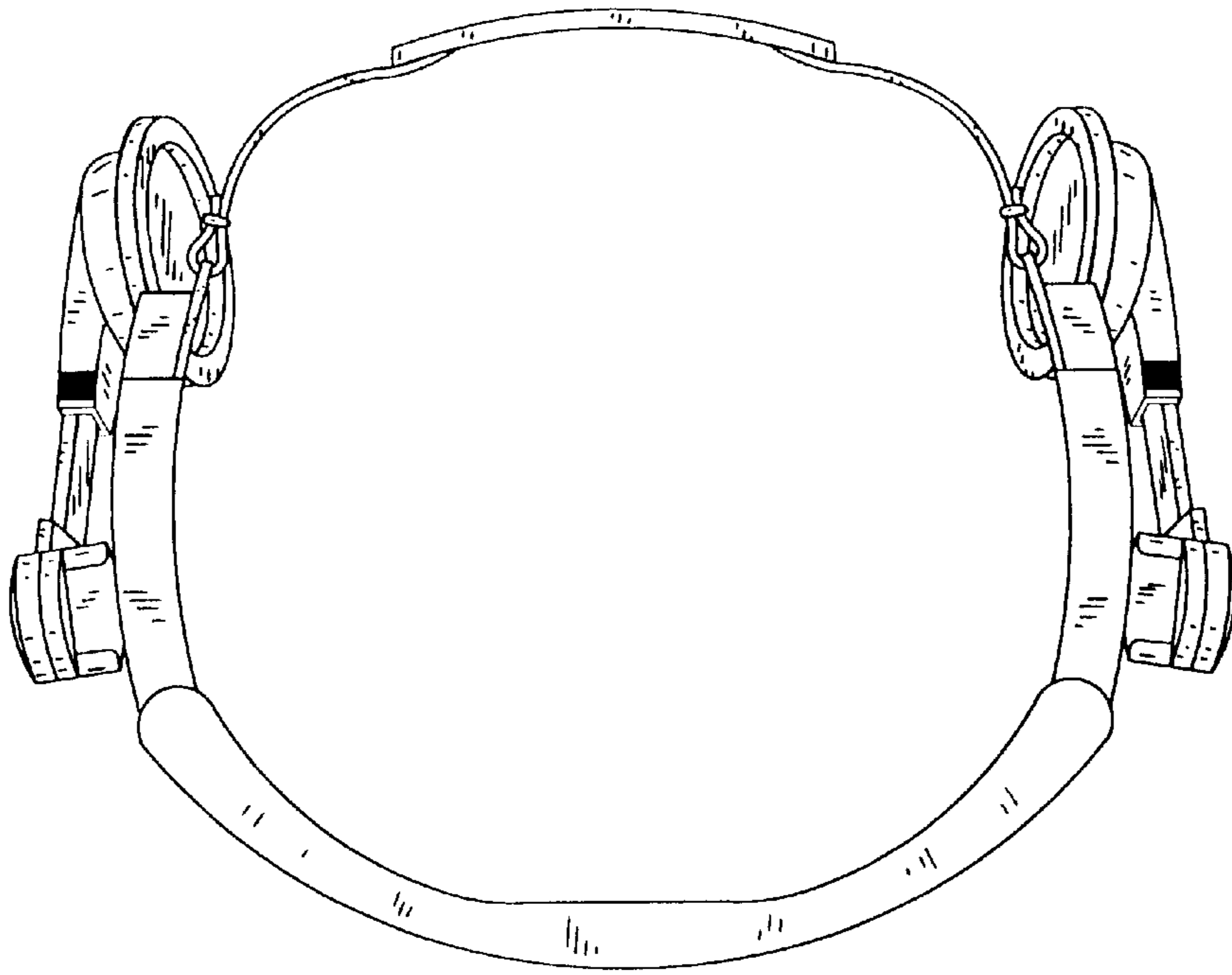


FIG. 5

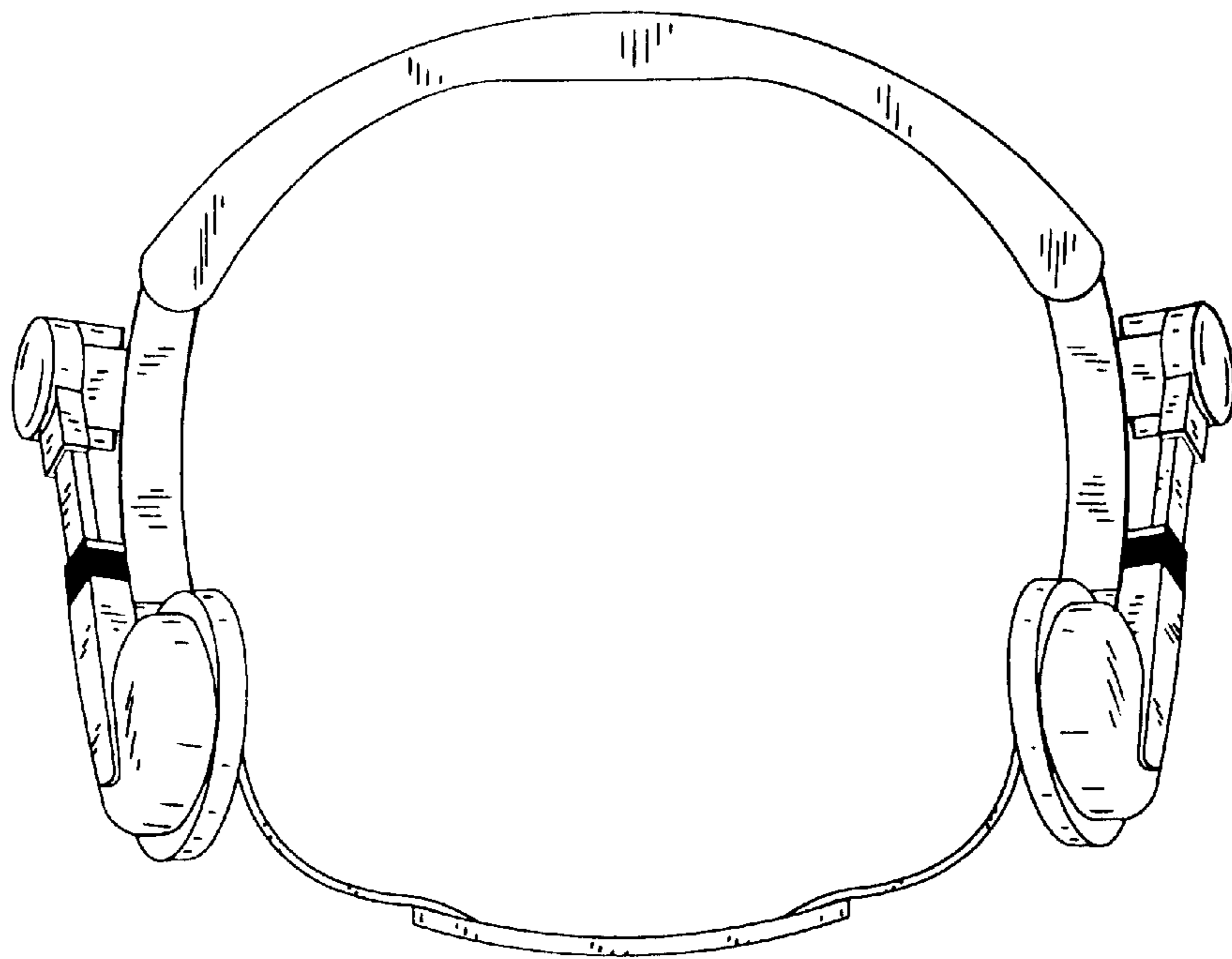


FIG. 3

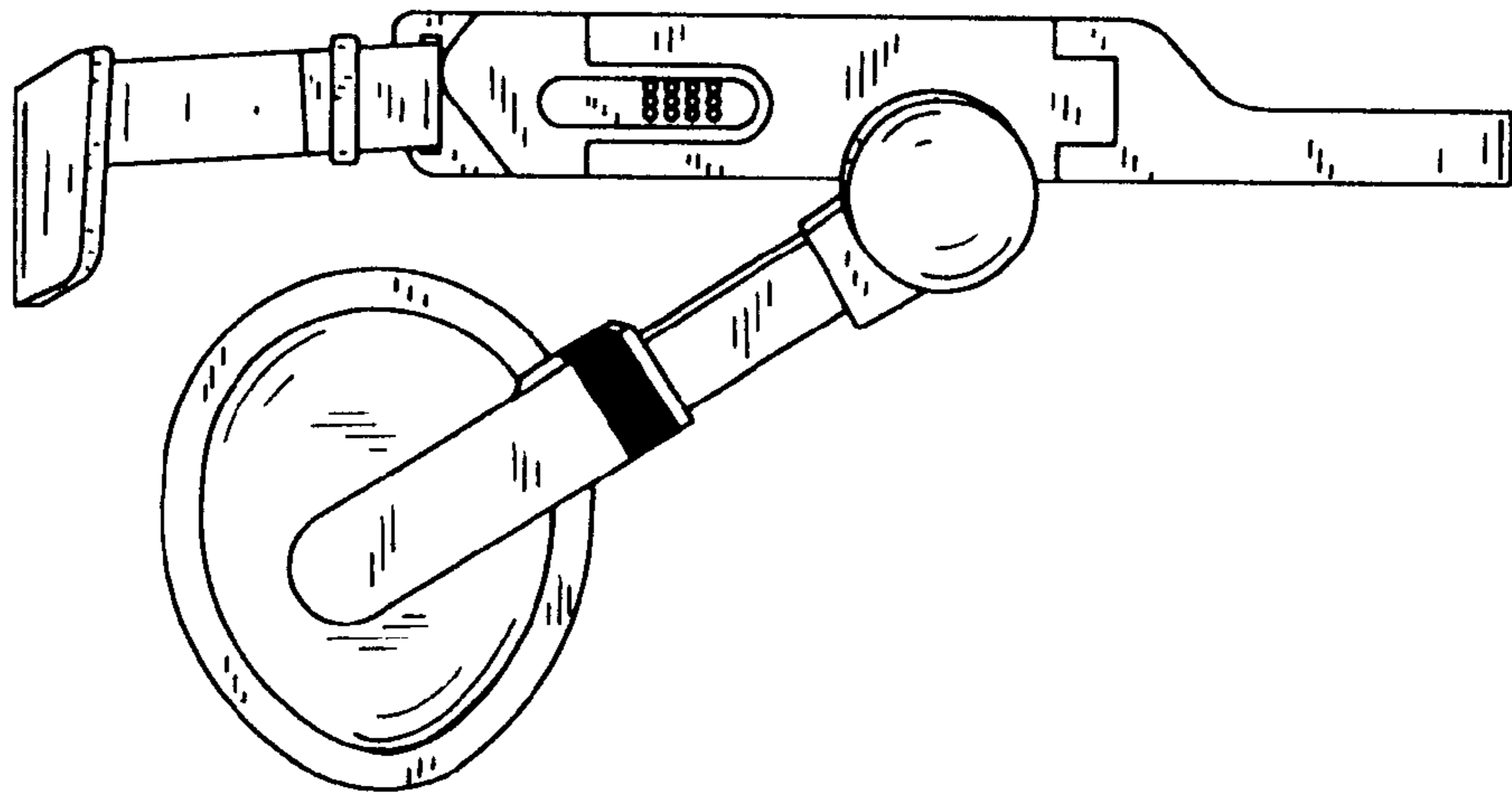


FIG. 6

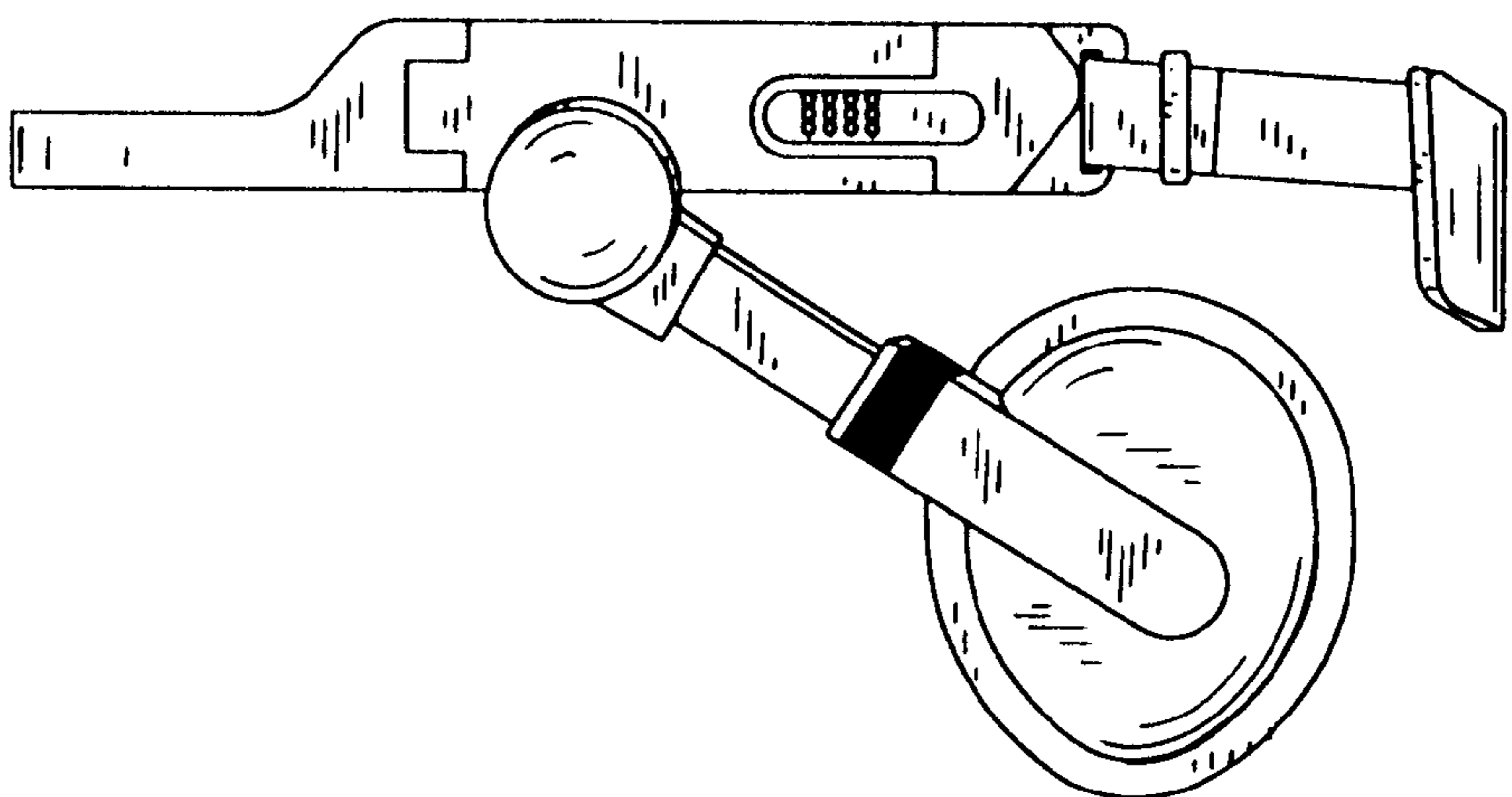


FIG. 4

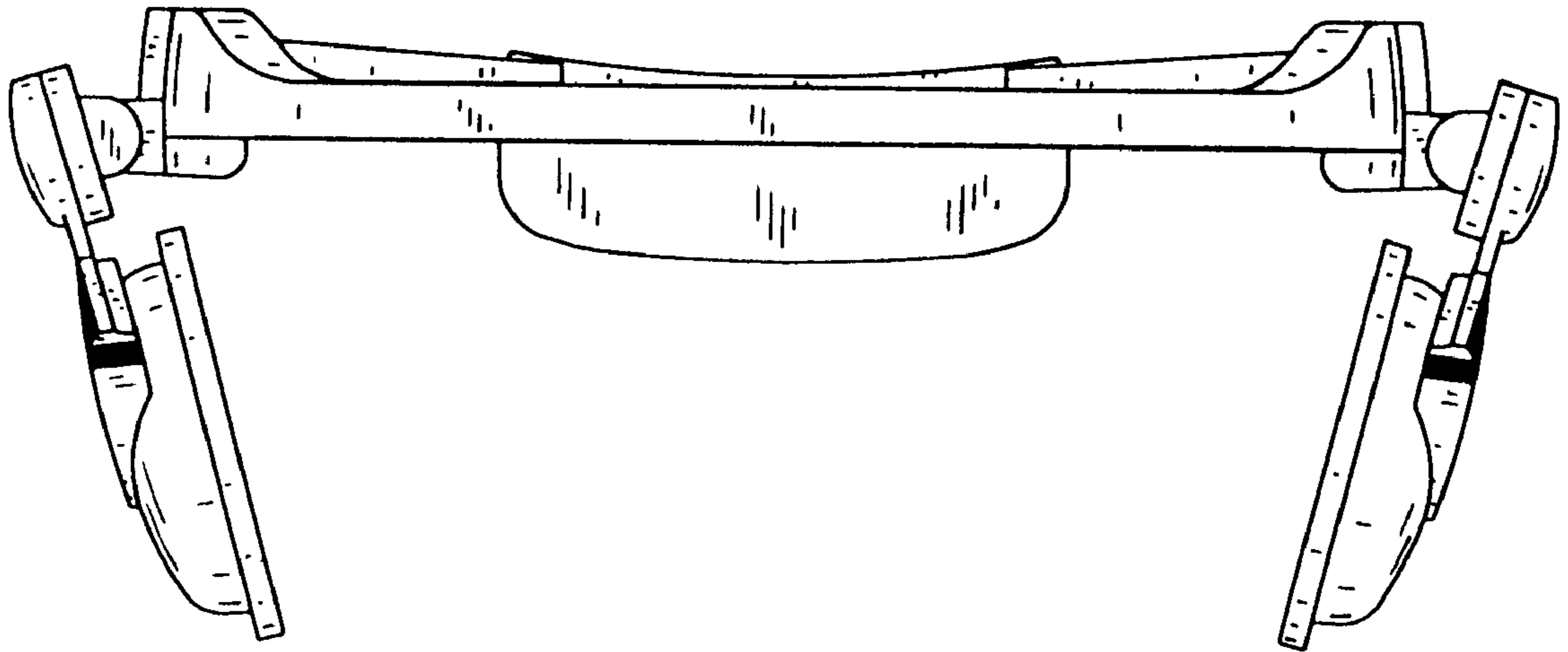


FIG. 7

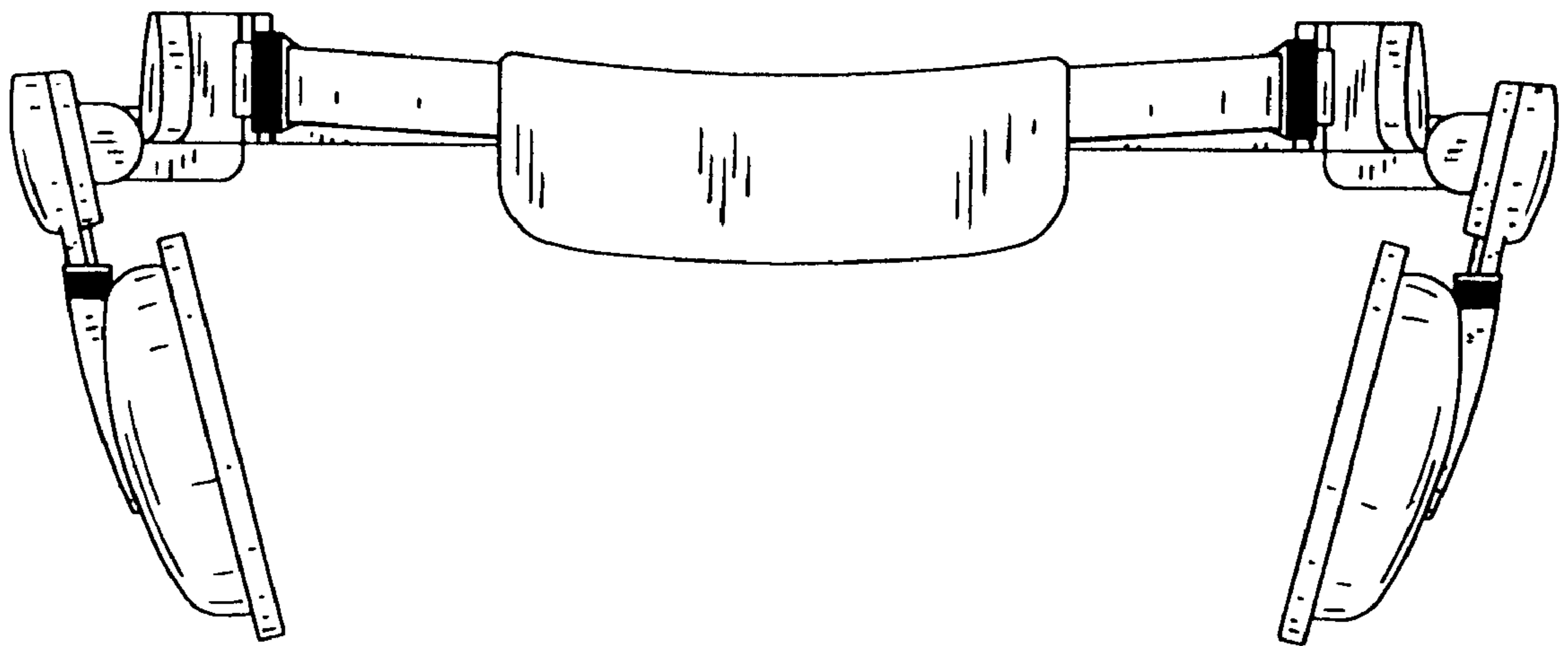


FIG. 8

