



US00D417659S

United States Patent [19]
Takemasa

[11] **Patent Number: Des. 417,659**
[45] **Date of Patent: ** Dec. 14, 1999**

[54] **DISPLAY DEVICE**

[75] Inventor: **Hirofumi Takemasa**, Osaka, Japan

[73] Assignee: **Matsushita Electric Industrial Co., Ltd.**, Japan

[**] Term: **14 Years**

[21] Appl. No.: **29/098,821**

[22] Filed: **Jan. 6, 1999**

[30] **Foreign Application Priority Data**

Jul. 13, 1998 [JP] Japan 10-20284

[51] **LOC (6) Cl.** **14-02**

[52] **U.S. Cl.** **D14/113; D14/126**

[58] **Field of Search** D14/100, 101,
D14/106, 113, 126-129; 248/917-924;
345/104, 133, 156, 168, 87, 173; 348/180,
184, 325; 349/1, 2, 11, 62; 341/12

[56] **References Cited**

U.S. PATENT DOCUMENTS

- D. 354,743 1/1995 Vieira D14/100
- D. 392,628 3/1998 Hayashi D14/113
- D. 394,248 5/1998 Duan D14/113
- D. 395,453 6/1998 Kawasaki et al. D20/10
- D. 395,454 6/1998 Hayashi D20/10
- D. 398,911 9/1998 Lin D14/113
- D. 403,309 12/1998 Takemasa et al. D14/113

FOREIGN PATENT DOCUMENTS

- 970972 12/1996 Japan .
- 1007923 4/1998 Japan .
- 1010556 5/1998 Japan .
- 1010557 5/1998 Japan .

OTHER PUBLICATIONS

NEC's model PX-42V2 issued before Jul. 13, 1998.
Fujitsu's model PDW4203 issued before Jul. 13, 1998.
Pioneer's "Plasma Display" issued before Jul. 13, 1998.

Primary Examiner—Freda Nunn
Attorney, Agent, or Firm—Saidman DesignLaw Group

[57] **CLAIM**

The ornamental design for a display device, as shown and described.

DESCRIPTION

FIG. 1 is a perspective view of the top, front and right side of a display device showing my new design;
FIG. 2 is a front elevational view thereof;
FIG. 3 is a top plan view thereof;
FIG. 4 is a left side view thereof;
FIG. 5 is a right side view thereof;
FIG. 6 is a rear elevational view thereof;
FIG. 7 is a bottom view thereof; and,
FIG. 8 is a perspective view showing the condition of the stand being taken off.

1 Claim, 4 Drawing Sheets

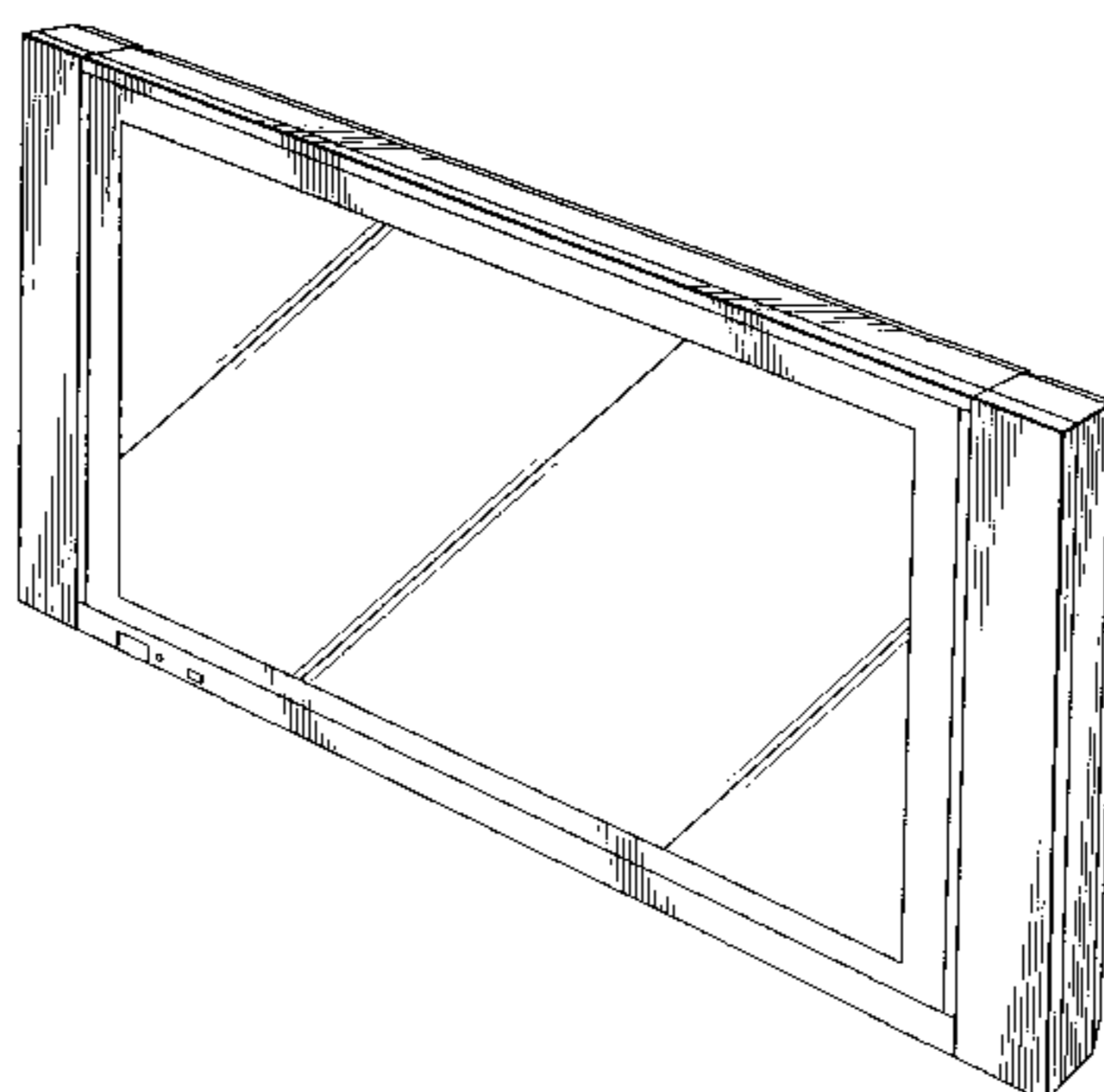
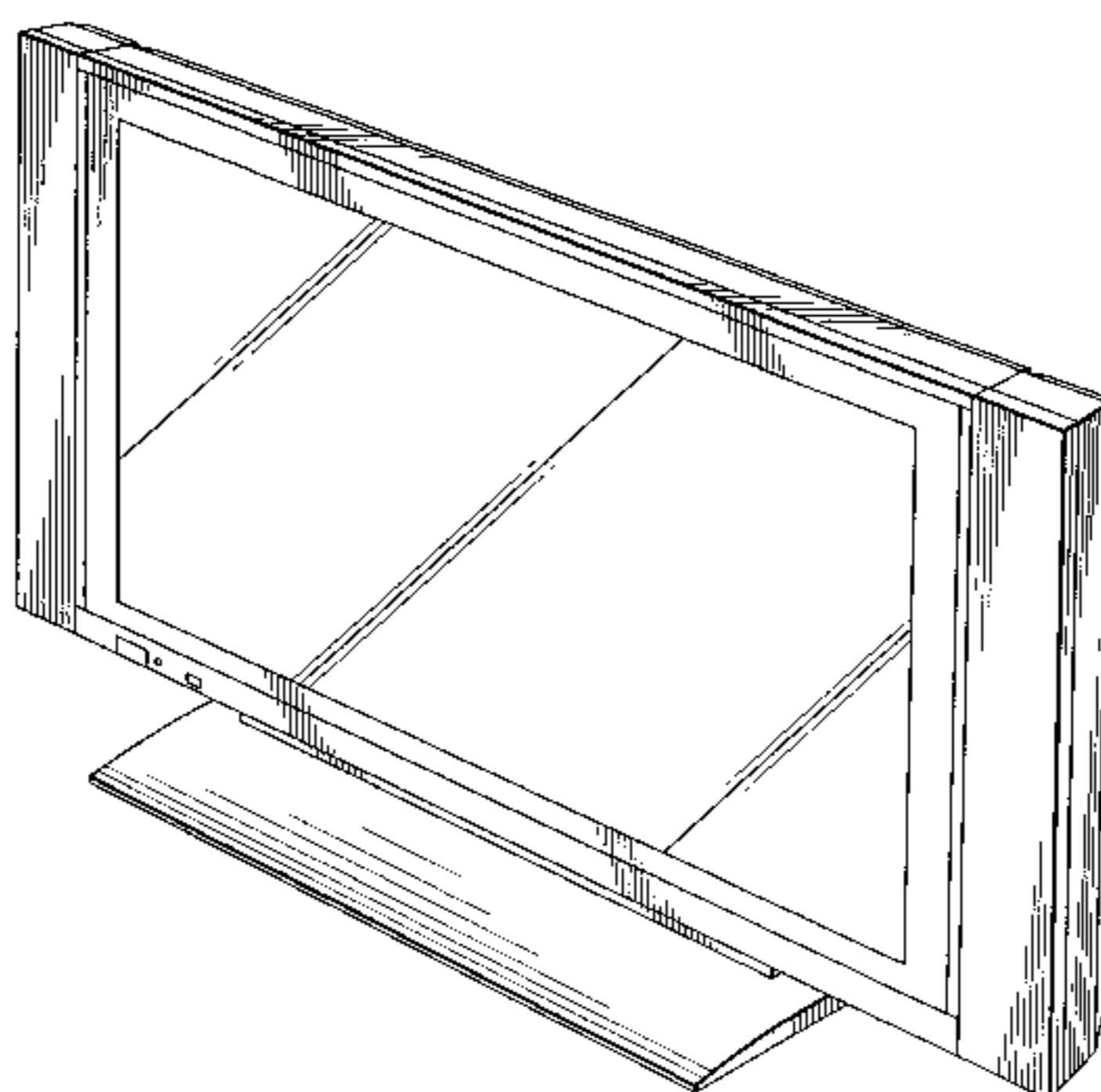


FIG. 1

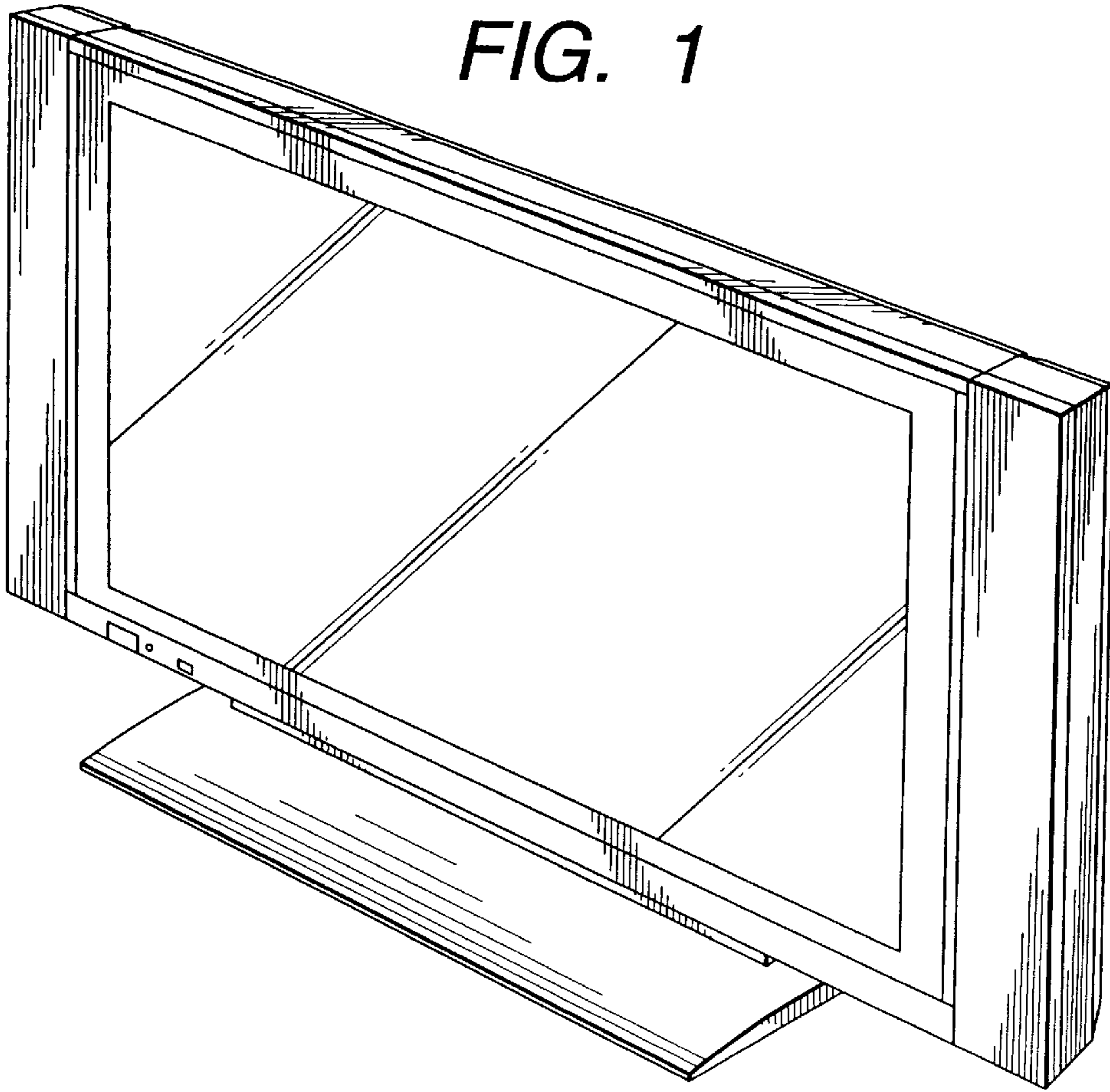


FIG. 2

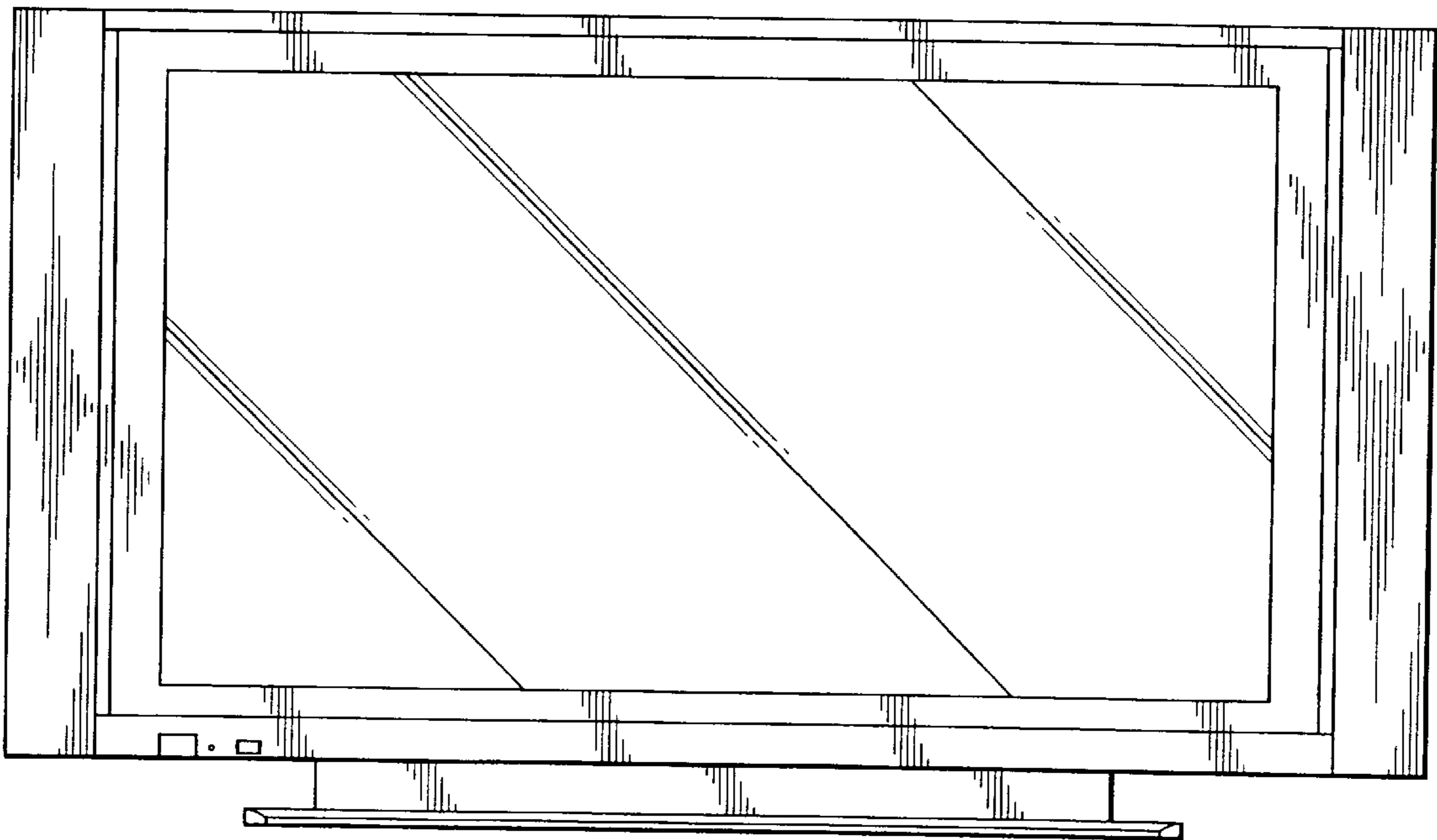


FIG. 3

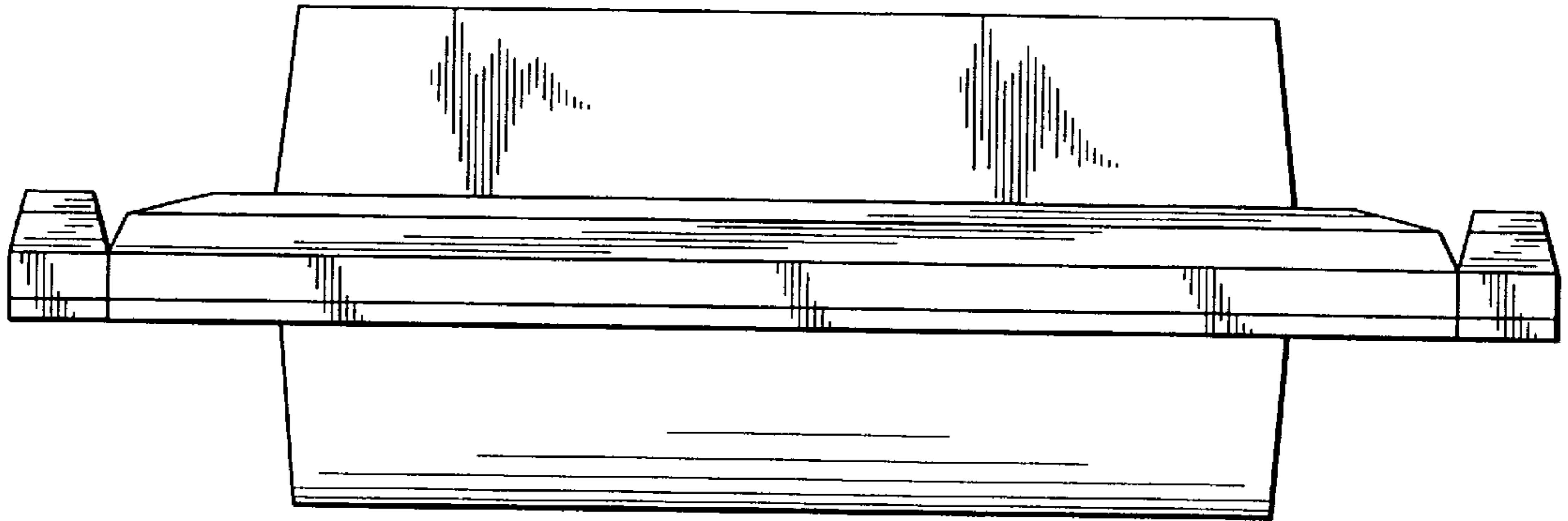


FIG. 4

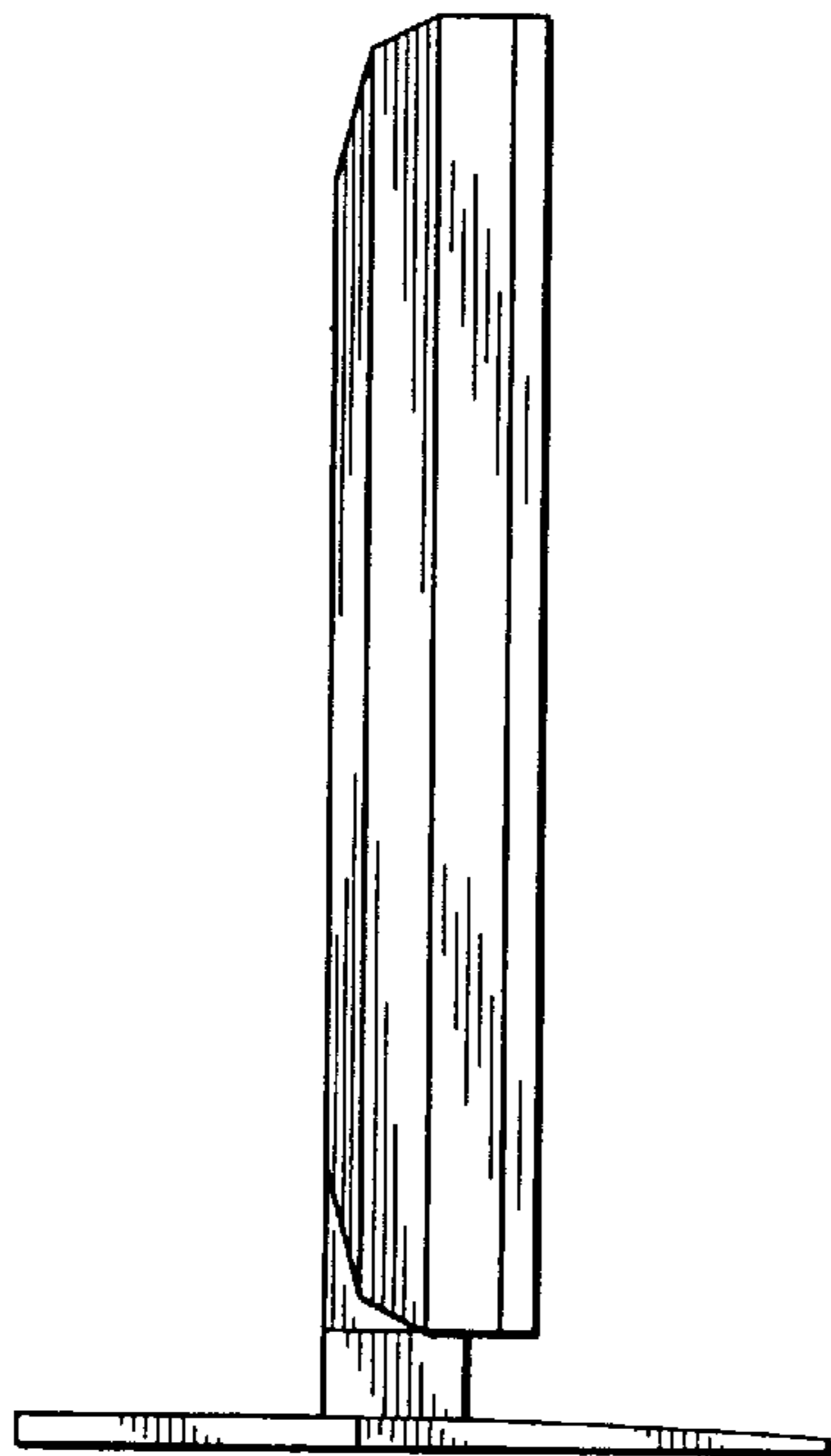


FIG. 5

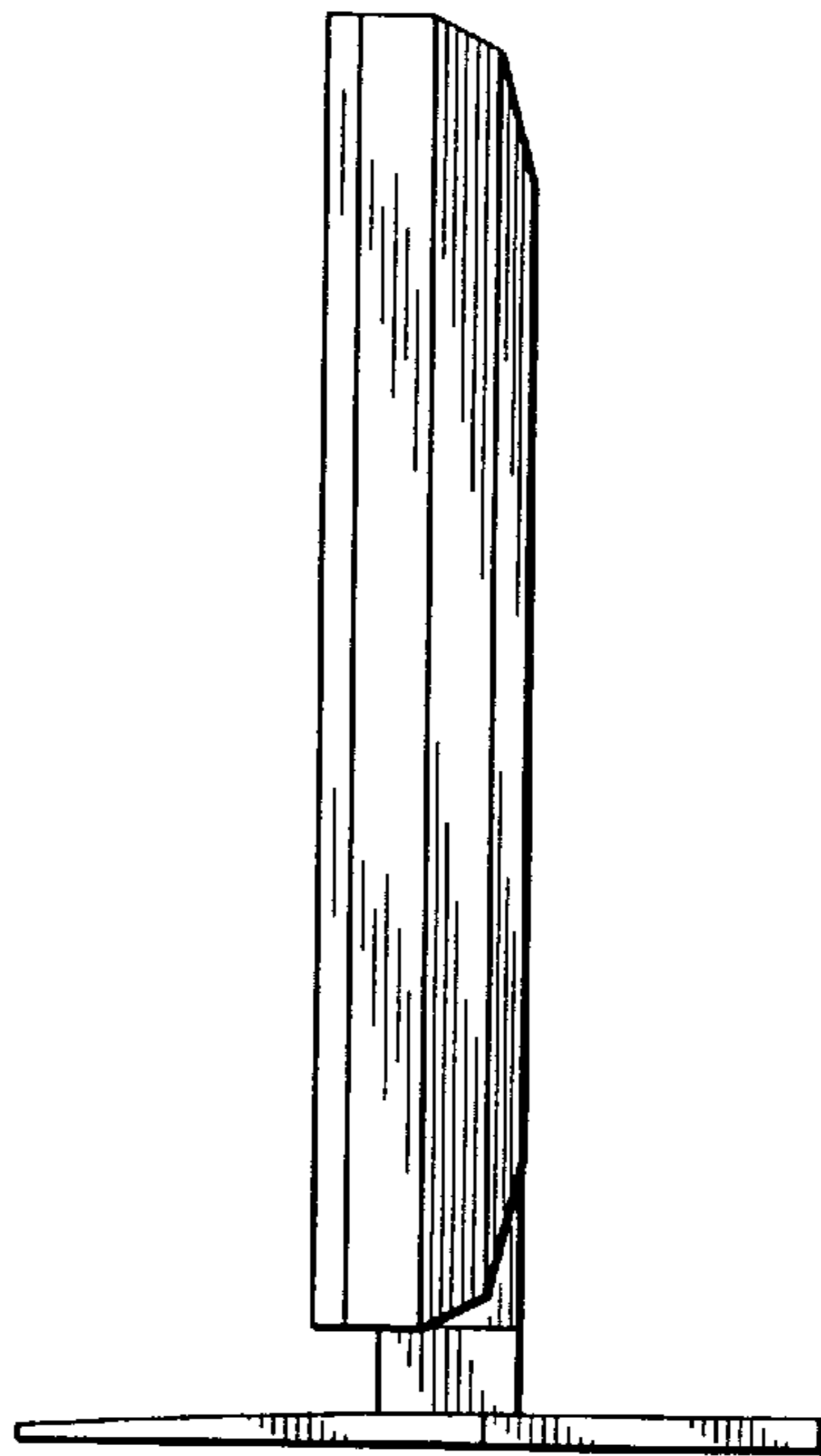


FIG. 6

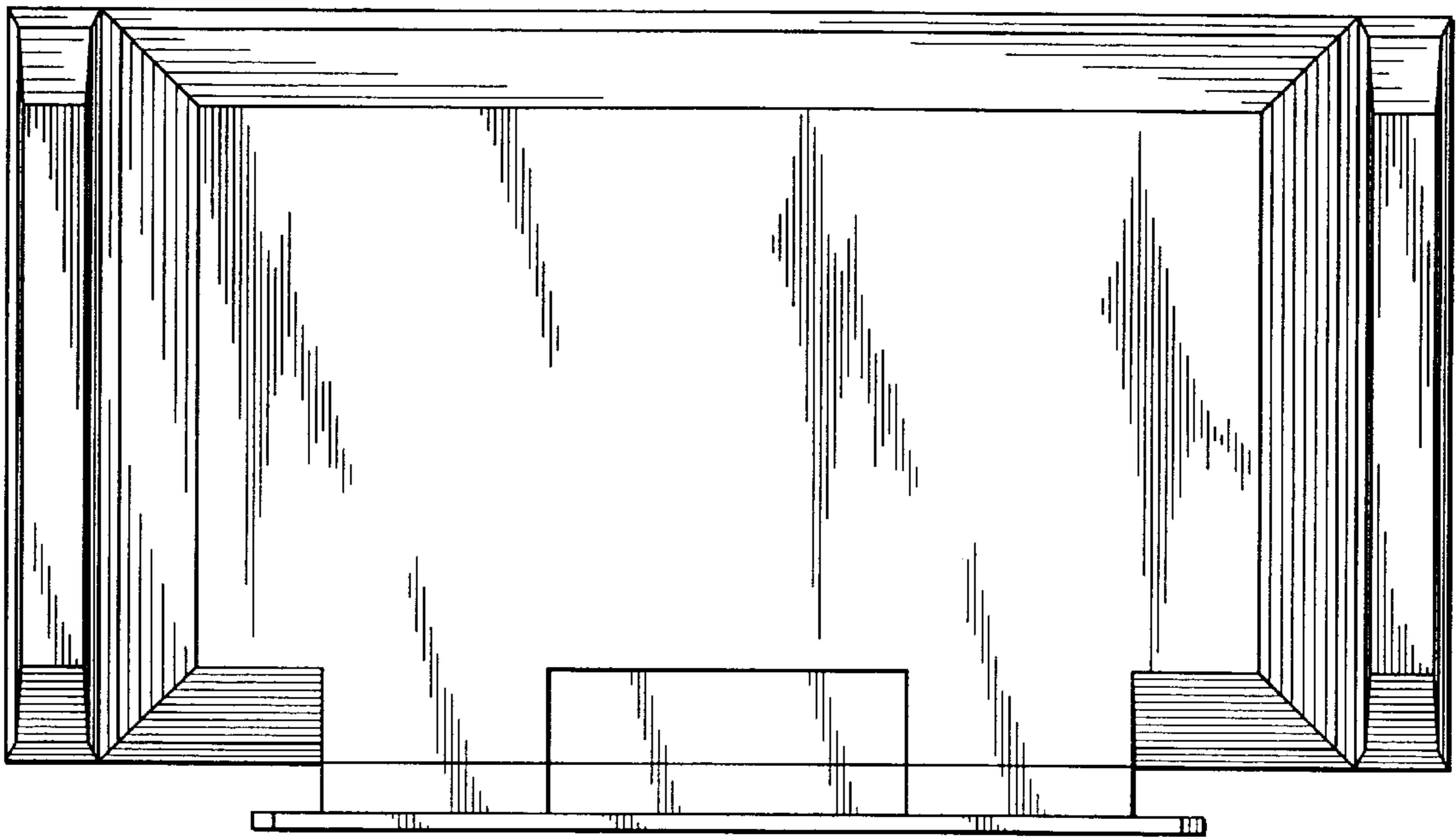


FIG. 7

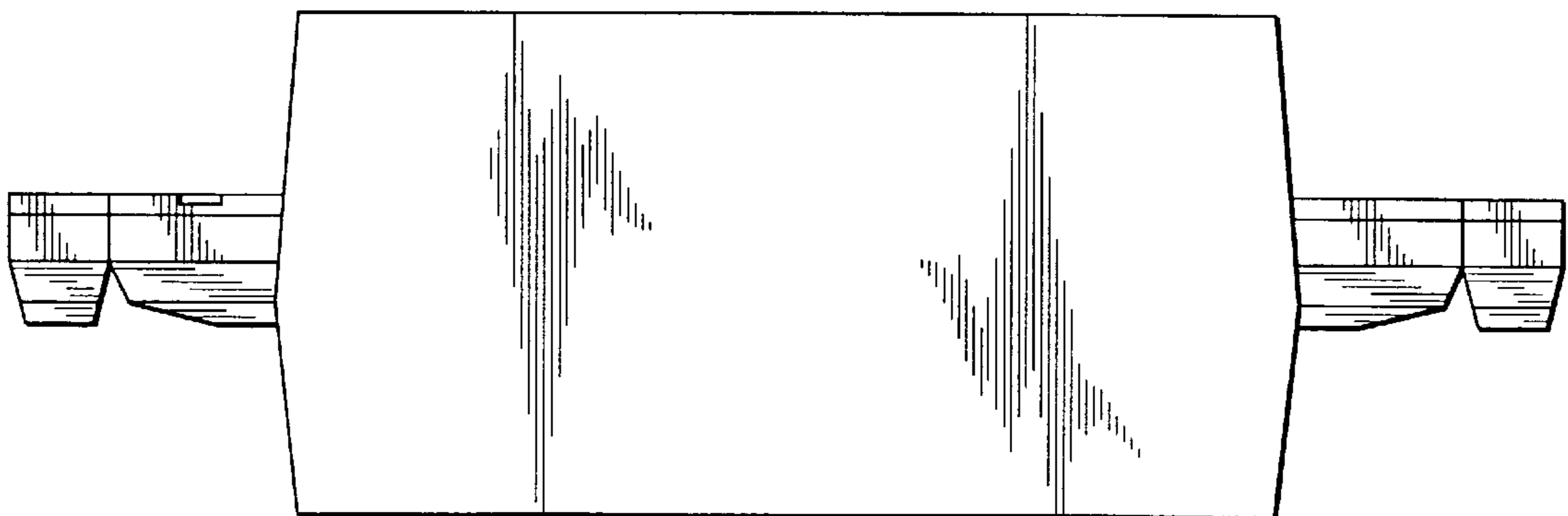


FIG. 8

