



US00D417658S

United States Patent [19] Goto

[11] **Patent Number: Des. 417,658**

[45] **Date of Patent: ** Dec. 14, 1999**

[54] **COMPUTER**

[75] Inventor: **Teiyu Goto**, Tokyo, Japan

[73] Assignee: **Sony Corporation**, Tokyo, Japan

[**] Term: **14 Years**

[21] Appl. No.: **29/076,358**

[22] Filed: **Sep. 9, 1997**

[30] Foreign Application Priority Data

May 29, 1997 [JP] Japan 9-55848

[51] **LOC (6) Cl.** **14-02**

[52] **U.S. Cl.** **D14/106**

[58] **Field of Search** D14/100, 101,
D14/106, 113, 115; D18/1, 2, 7; 235/145 A,
145 R; 345/104, 156, 168, 173, 87, 901-905;
341/22, 23; 361/679-686; 364/708.1; 400/486,
489

[56] References Cited

U.S. PATENT DOCUMENTS

D. 356,069	3/1995	Lee	D14/106
D. 361,553	8/1995	De Luliis	D14/106
D. 370,217	5/1996	Kondo	D14/106
D. 380,459	7/1997	Tanimura et al.	D14/106
D. 384,043	9/1997	Tamaki	D14/106
D. 385,856	11/1997	Kawa	D14/106
D. 388,403	12/1997	Tochishita	D14/106

OTHER PUBLICATIONS

Catalog: Digital HiNote VP 500 Series, Japan Digital Equipment Co., Ltd. (Sep. 16, 1996).

Catalog: 98 Note Lavie, NEC Home Electronics Co., Ltd. (Jan. 1997).

Catalog: Prospert, Epson Co., Ltd. (Mar. 14, 1997).

Catalog: Winky High Performance PC, Sanyo Electric Co., Ltd. (Mar. 1997).

Excerpt from "Hello!PC" (date of publication presently unknown).

Catalog: Personal Computer PC-W110, Sharp Corp. (Apr. 1997).

Catalog: Personal Computer MN-7650, Sharp Corp. (Feb. 1997).

Catalog: WinBook Bird, SOTEC Co., Ltd. (Apr. 1997).

Advertisement flier: Big Pasokon Kan (May 24, 1997).

Primary Examiner—Freda Nunn

Attorney, Agent, or Firm—Foley & Lardner

[57] CLAIM

The ornamental design for a computer, as shown and described.

DESCRIPTION

FIG. 1 is a perspective view of a first embodiment of a computer showing my new design wherein the screen portion is in the open position;

FIG. 2 is a perspective view thereof wherein the screen portion is in the closed position;

FIG. 3 is a top plan view of the embodiment of FIG. 1;

FIG. 4 is a right side elevational view thereof;

FIG. 5 is a front elevational view thereof;

FIG. 6 is a rear elevational view thereof;

FIG. 7 is a left side elevational view thereof;

FIG. 8 is a perspective view of a second embodiment of a computer showing my new design wherein the screen portion is in the open position;

FIG. 9 is a perspective view of the embodiment of FIG. 8 wherein the screen portion is in the closed position;

FIG. 10 is a top plan view of the embodiment of FIG. 8;

FIG. 11 is a right side elevational view thereof;

FIG. 12 is a front elevational view thereof;

FIG. 13 is a rear elevational view thereof;

FIG. 14 is a left side elevational view thereof;

FIG. 15 is a perspective view of a third embodiment of a computer showing my new design wherein the screen portion is in the open position;

FIG. 16 is a perspective view of the embodiment of FIG. 15 wherein the screen portion is in the closed position;

FIG. 17 is a top plan view of the embodiment of FIG. 15;

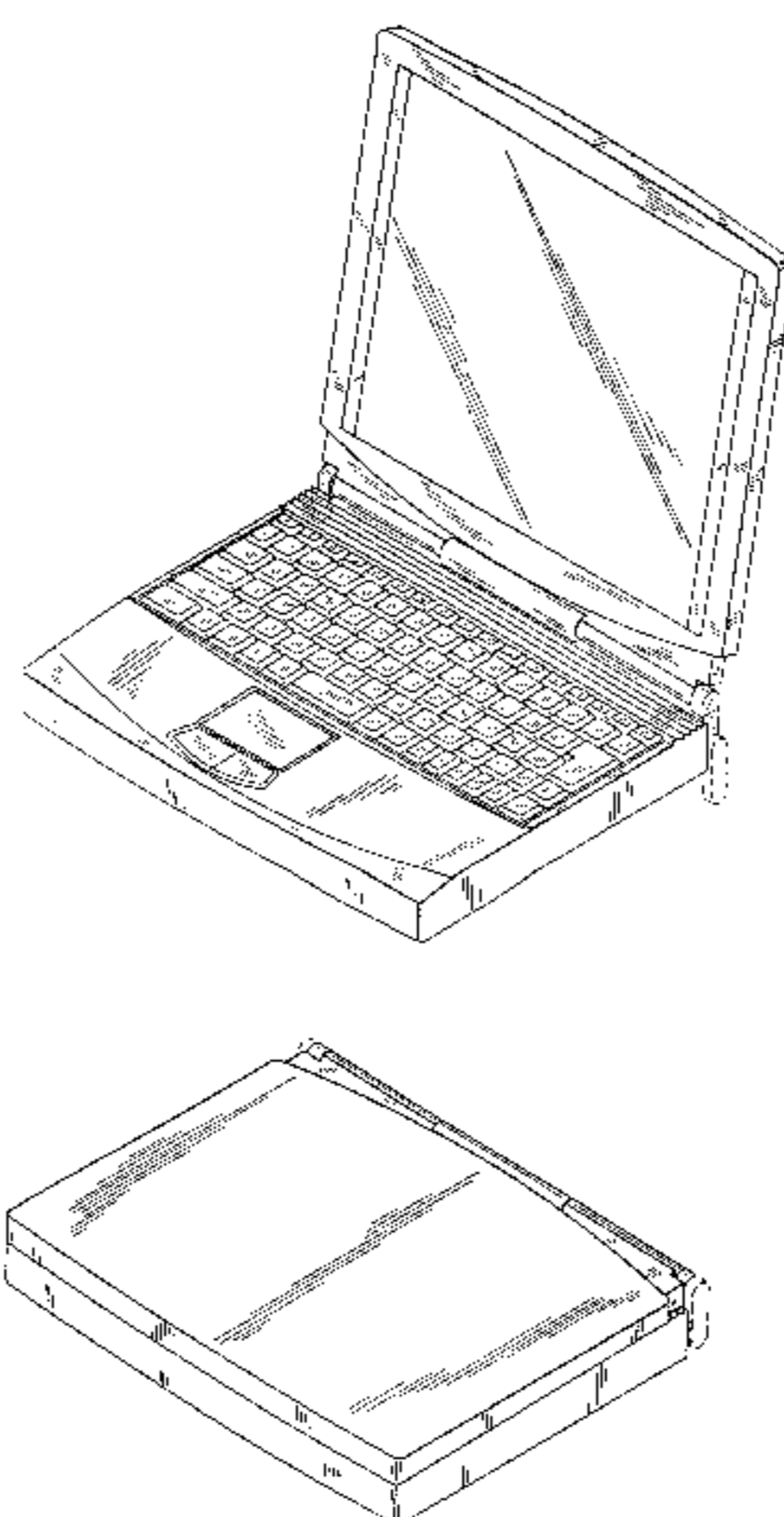
FIG. 18 is a right side elevational view thereof;

FIG. 19 is a front elevational view thereof;

FIG. 20 is a rear elevational view thereof;

FIG. 21 is a left side elevational view thereof; and,

FIG. 22 is a bottom plan view thereof.



The leg portions and the indicia shown in broken lines in the views area are for illustrative purposes only and form no part of the claimed design.

The undisclosed bottom view of the first and second embodiment is not a part of the claimed design.

1 Claim, 15 Drawing Sheets

FIG. 1

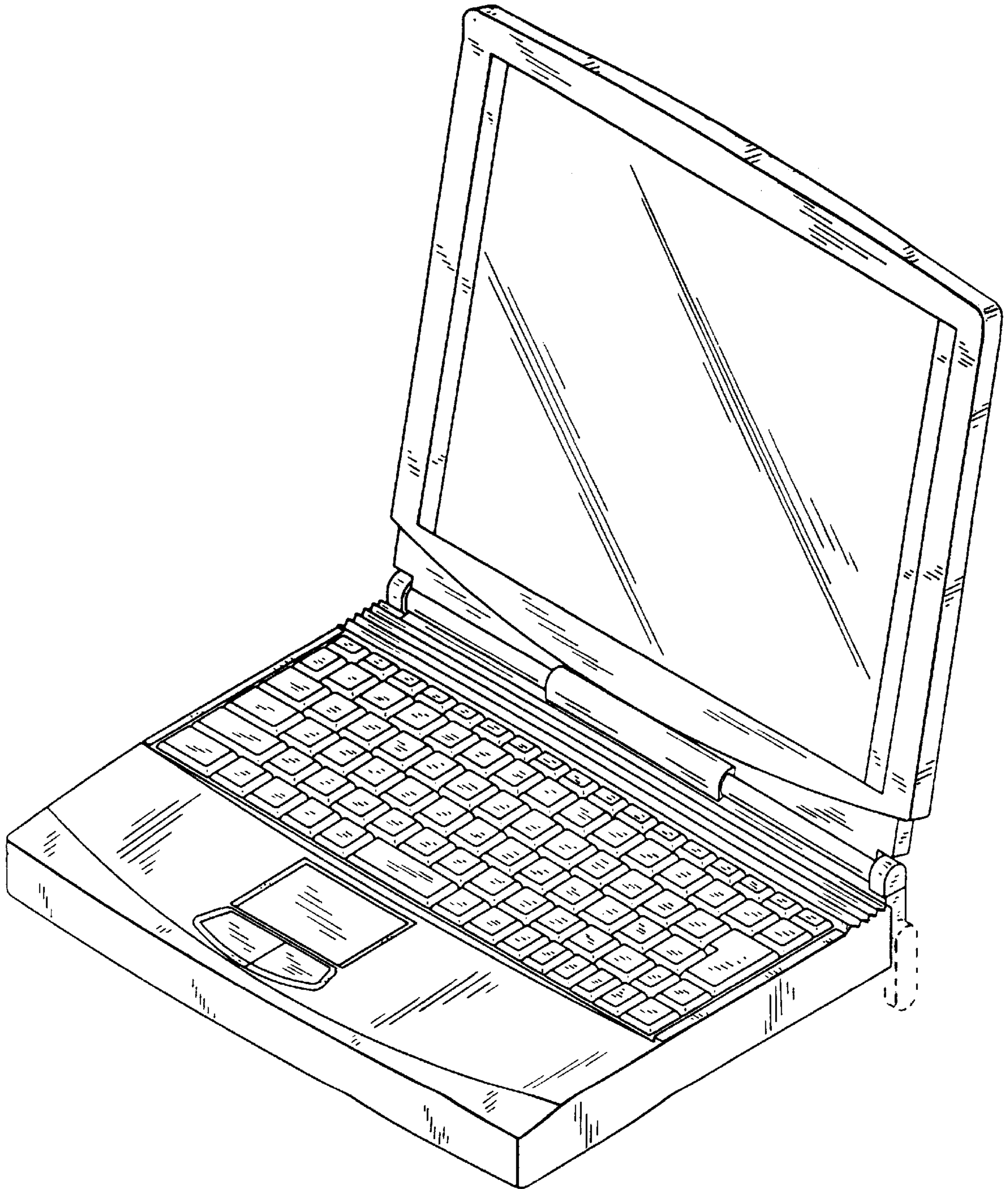


FIG.2

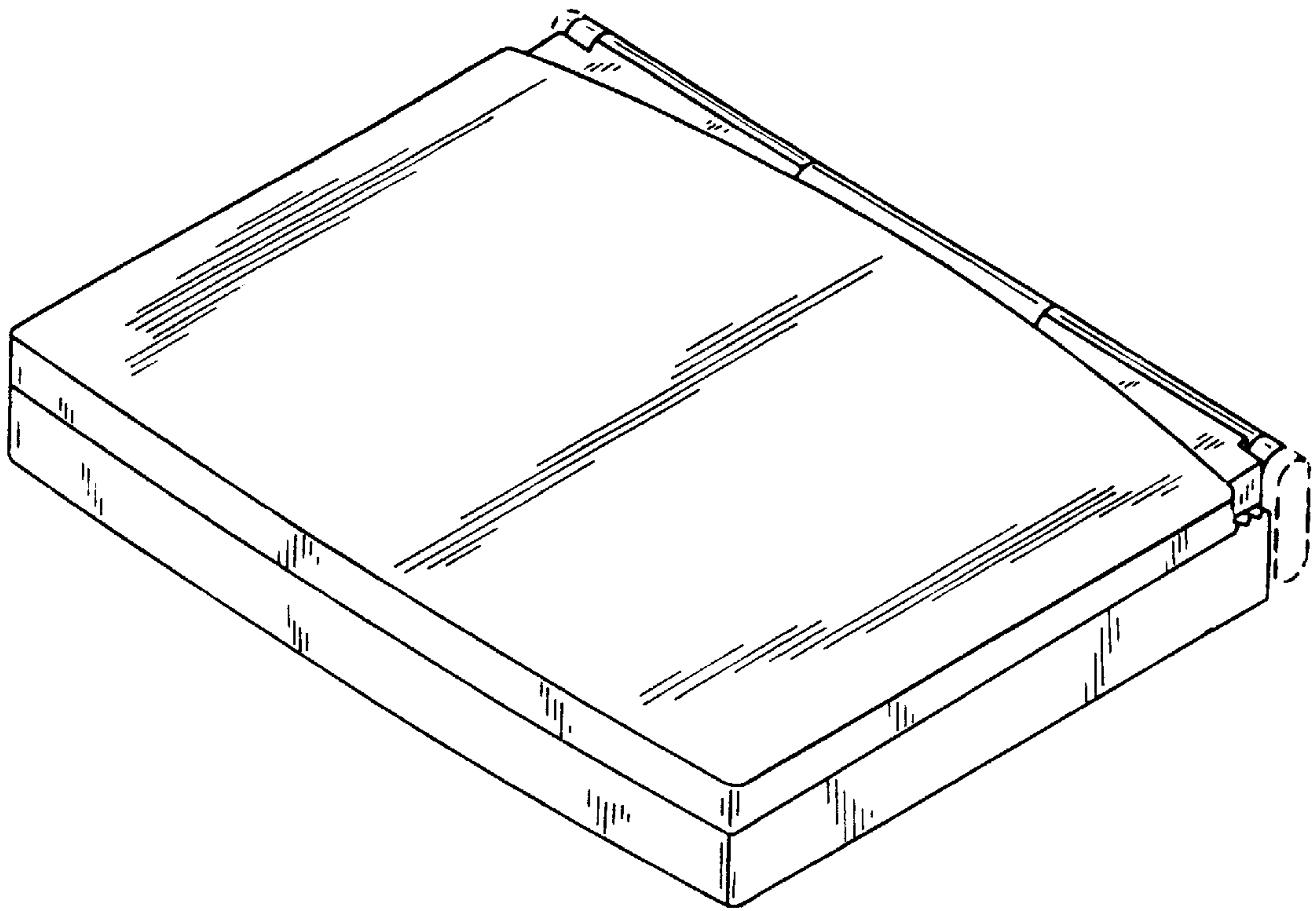


FIG. 3

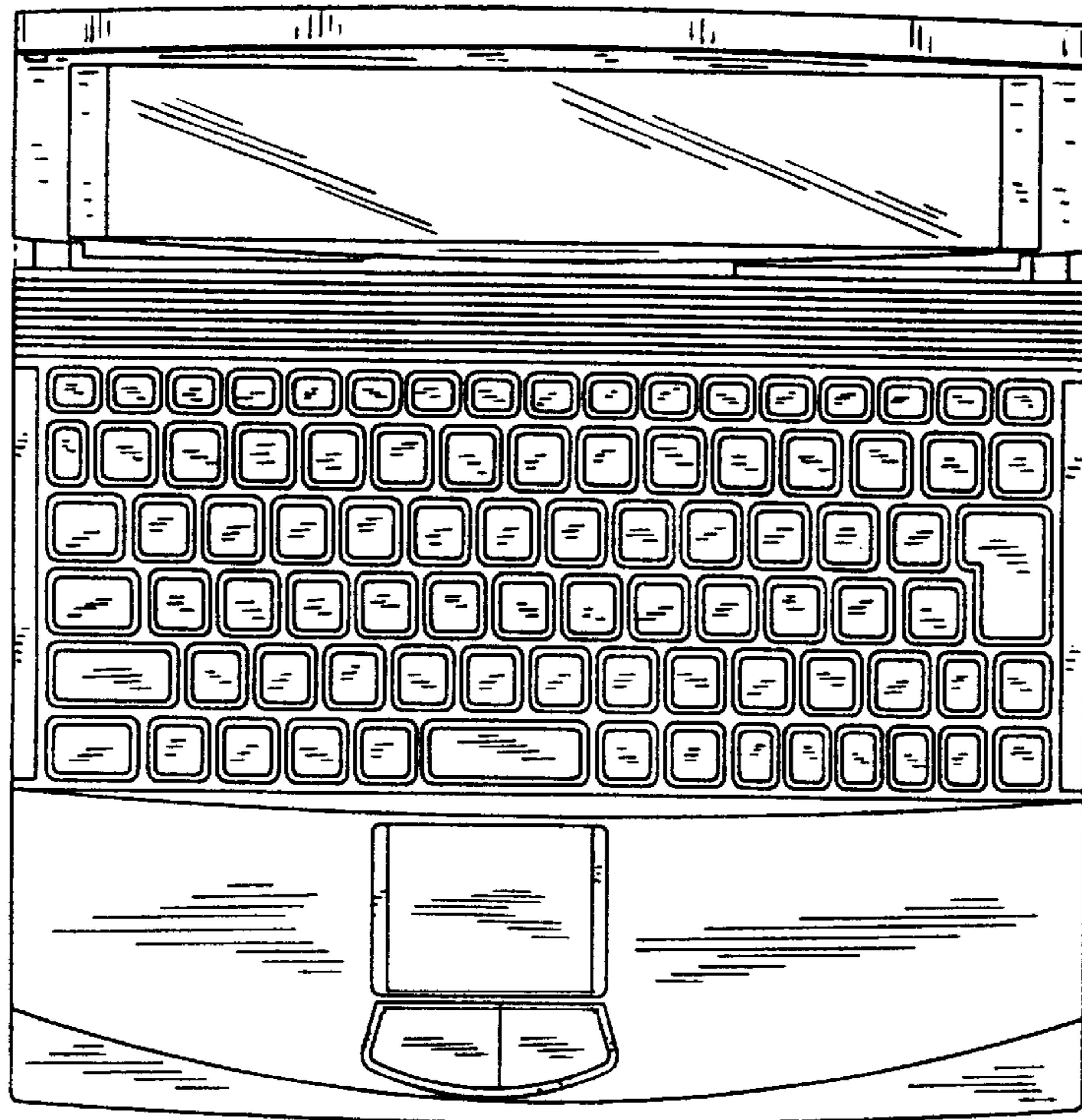


FIG. 5

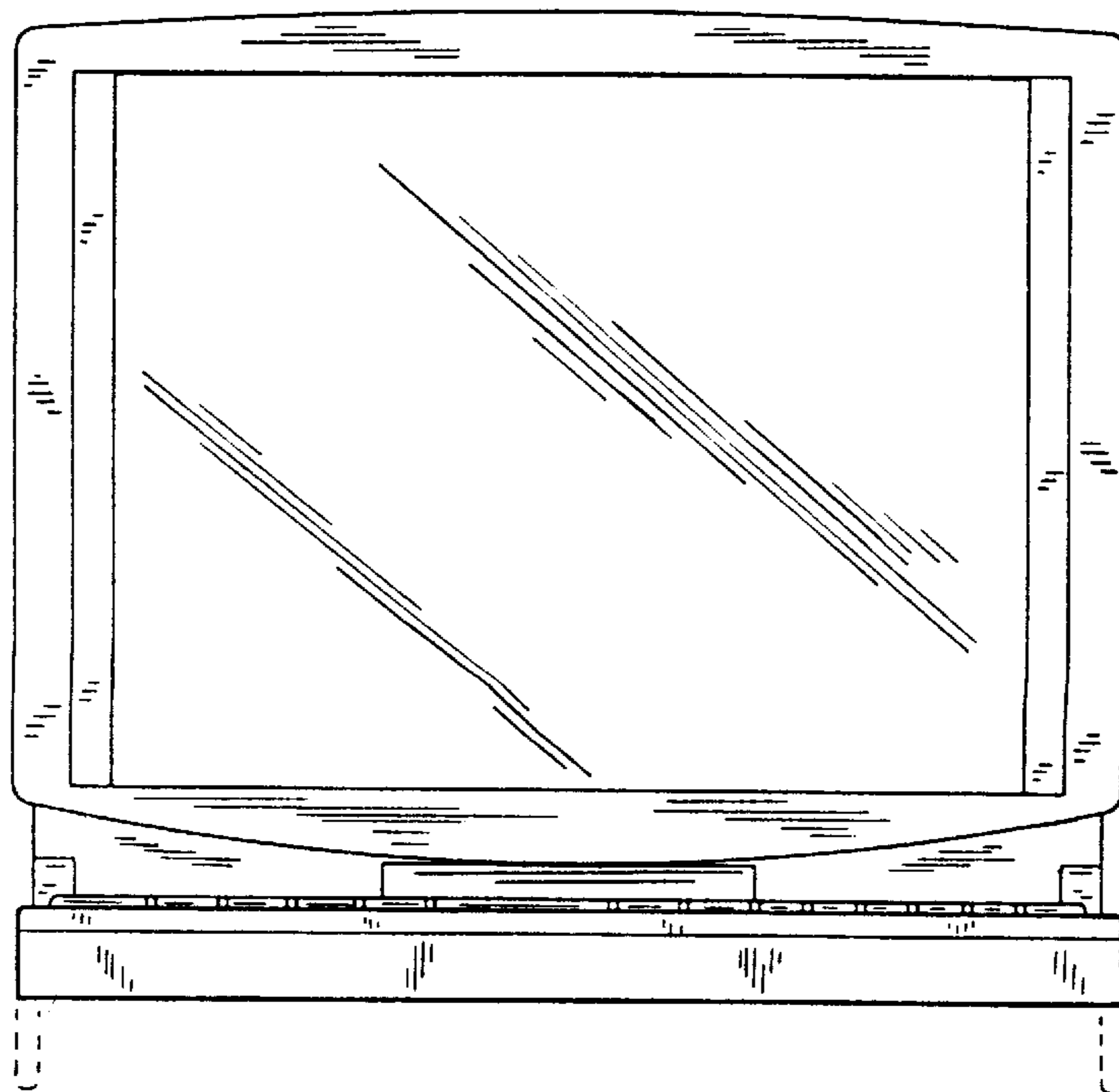


FIG. 4

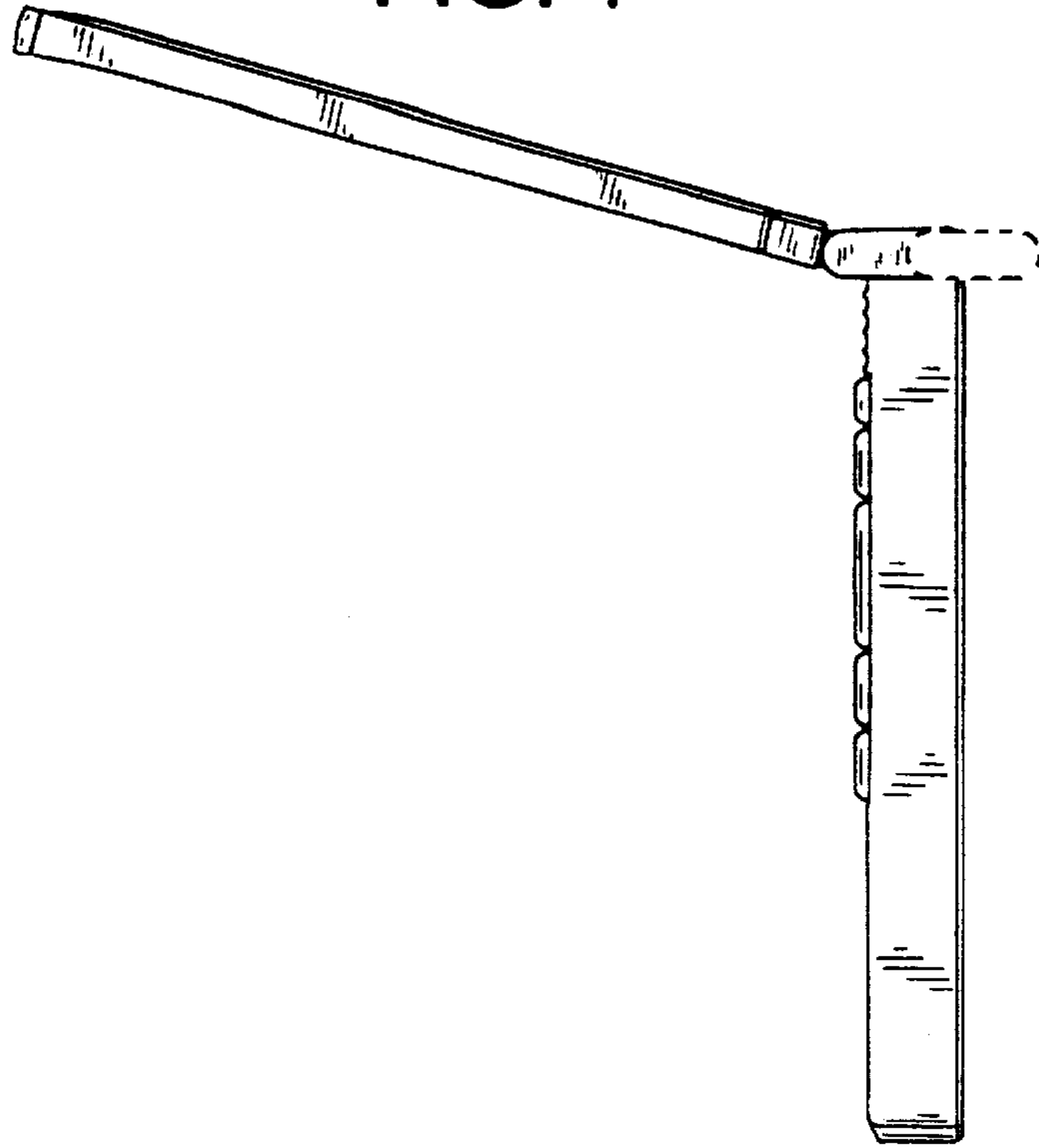


FIG. 7

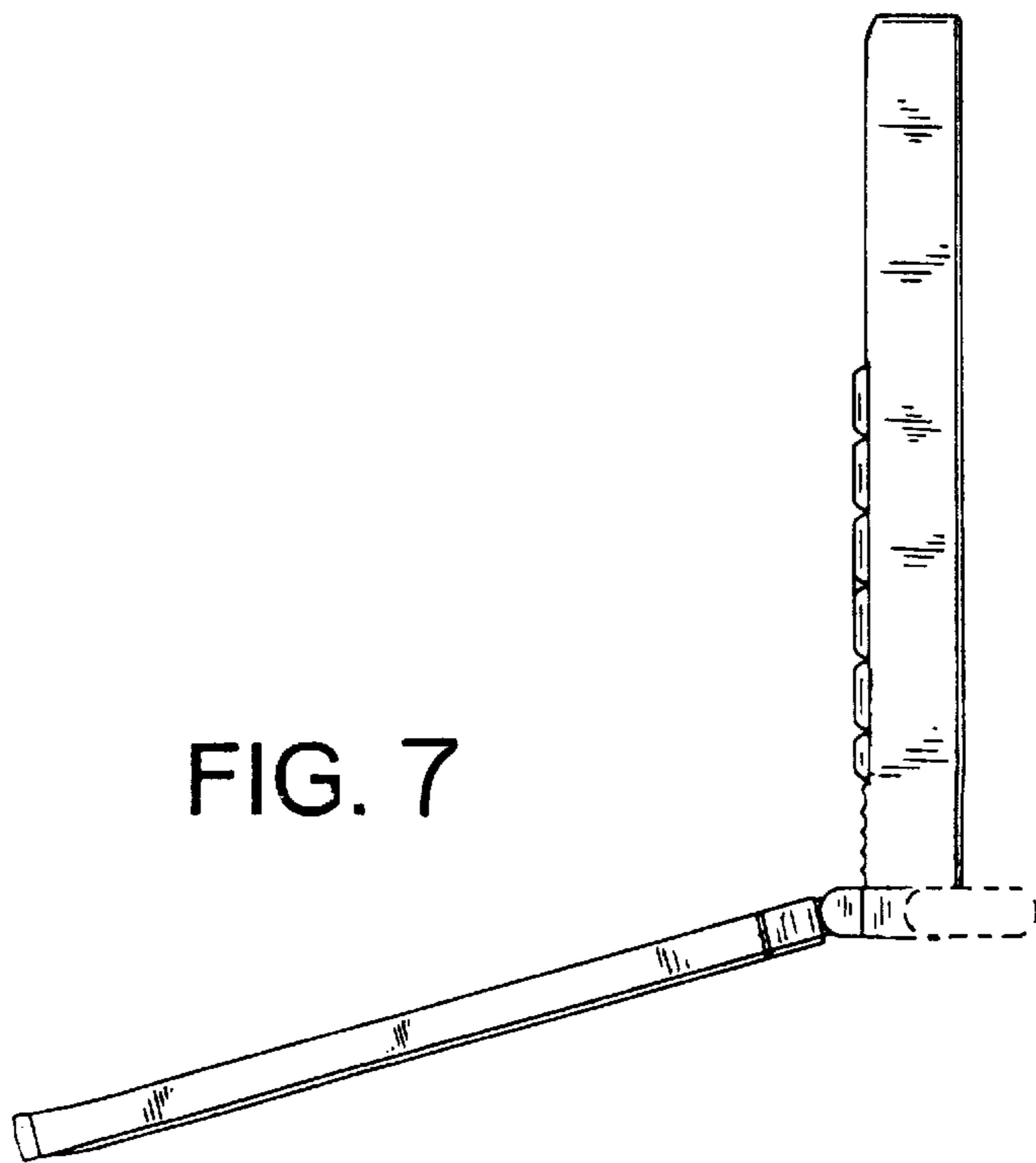


FIG. 6

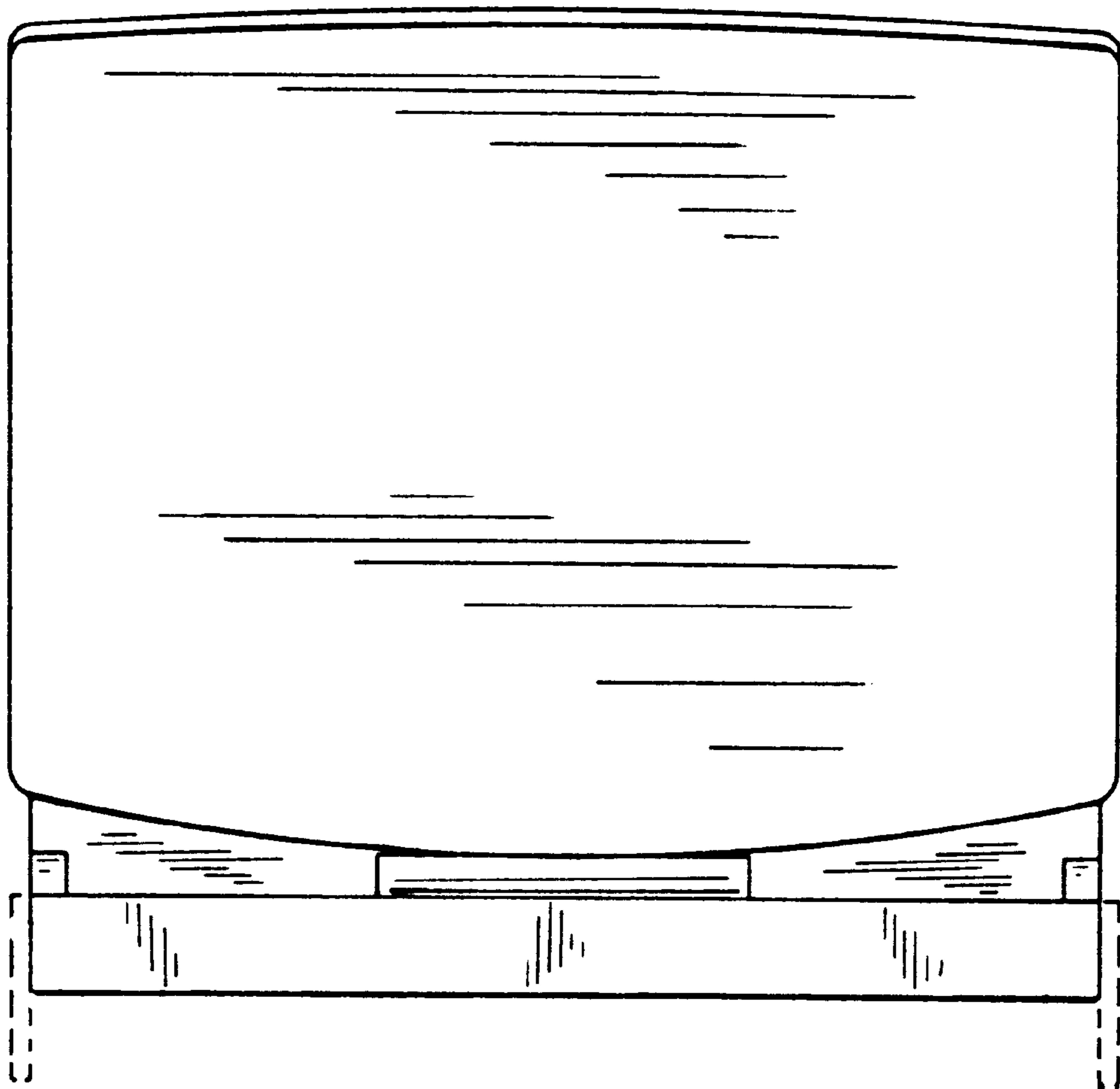


FIG. 8

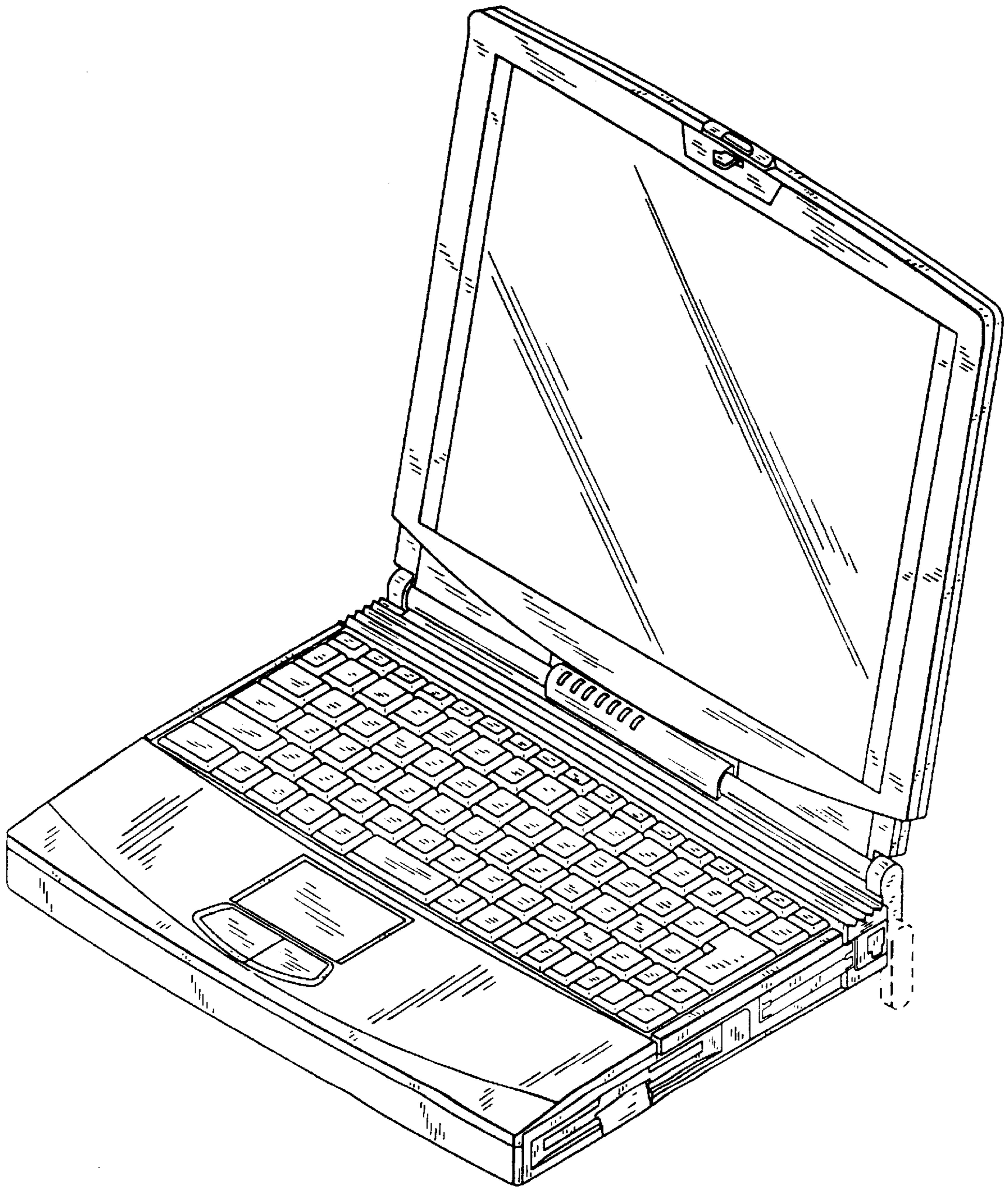


FIG. 9

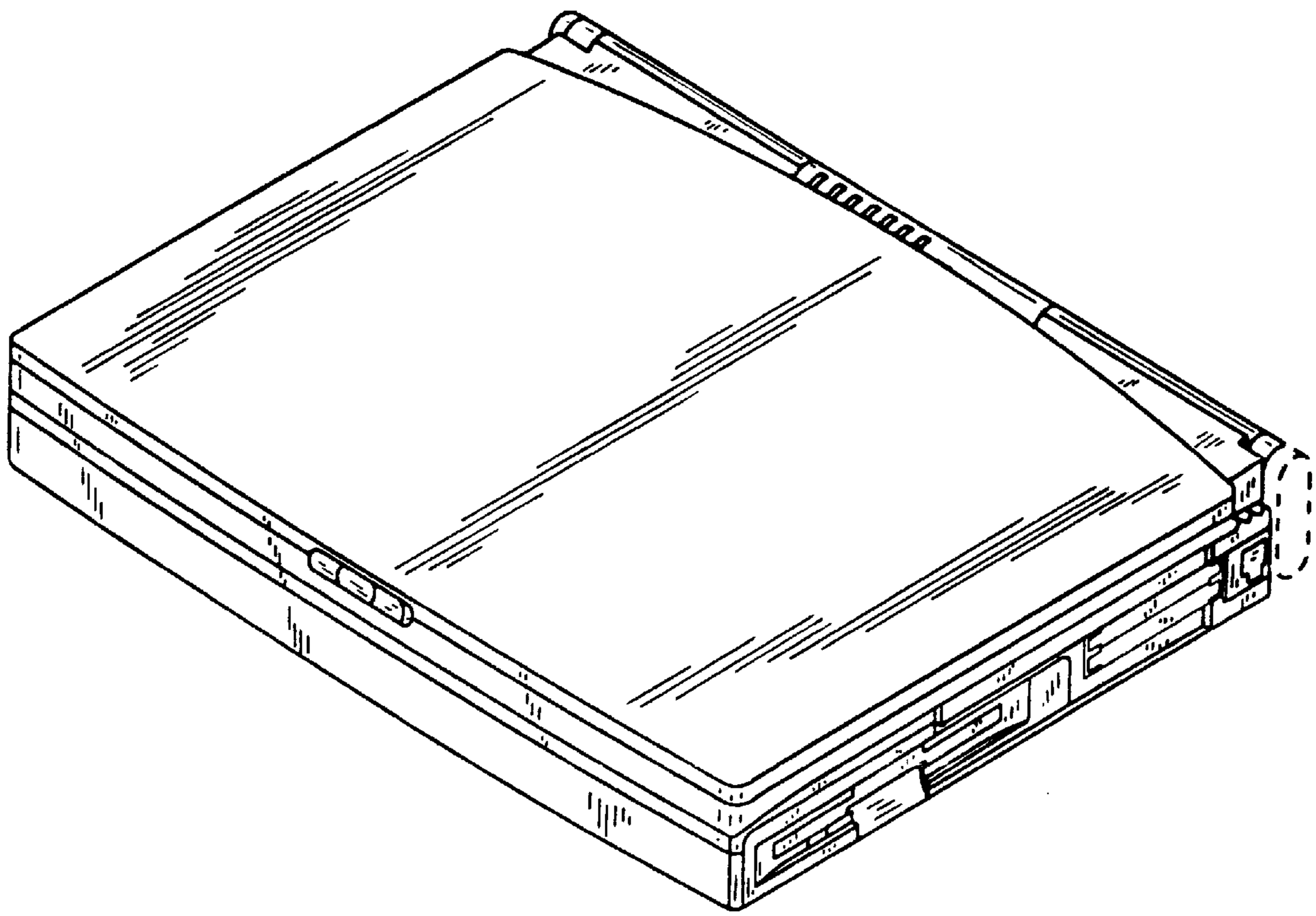


FIG.10

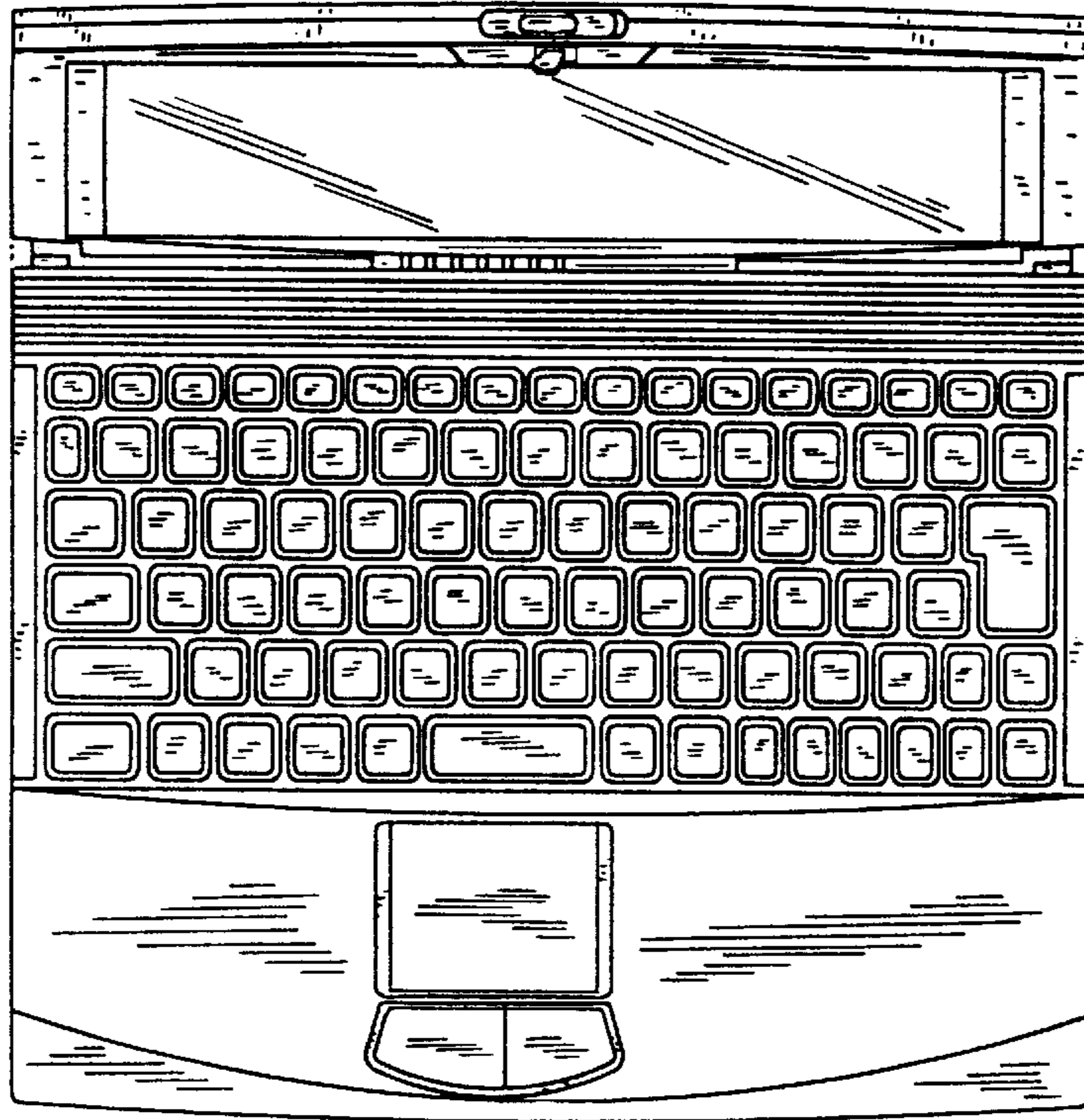


FIG.12

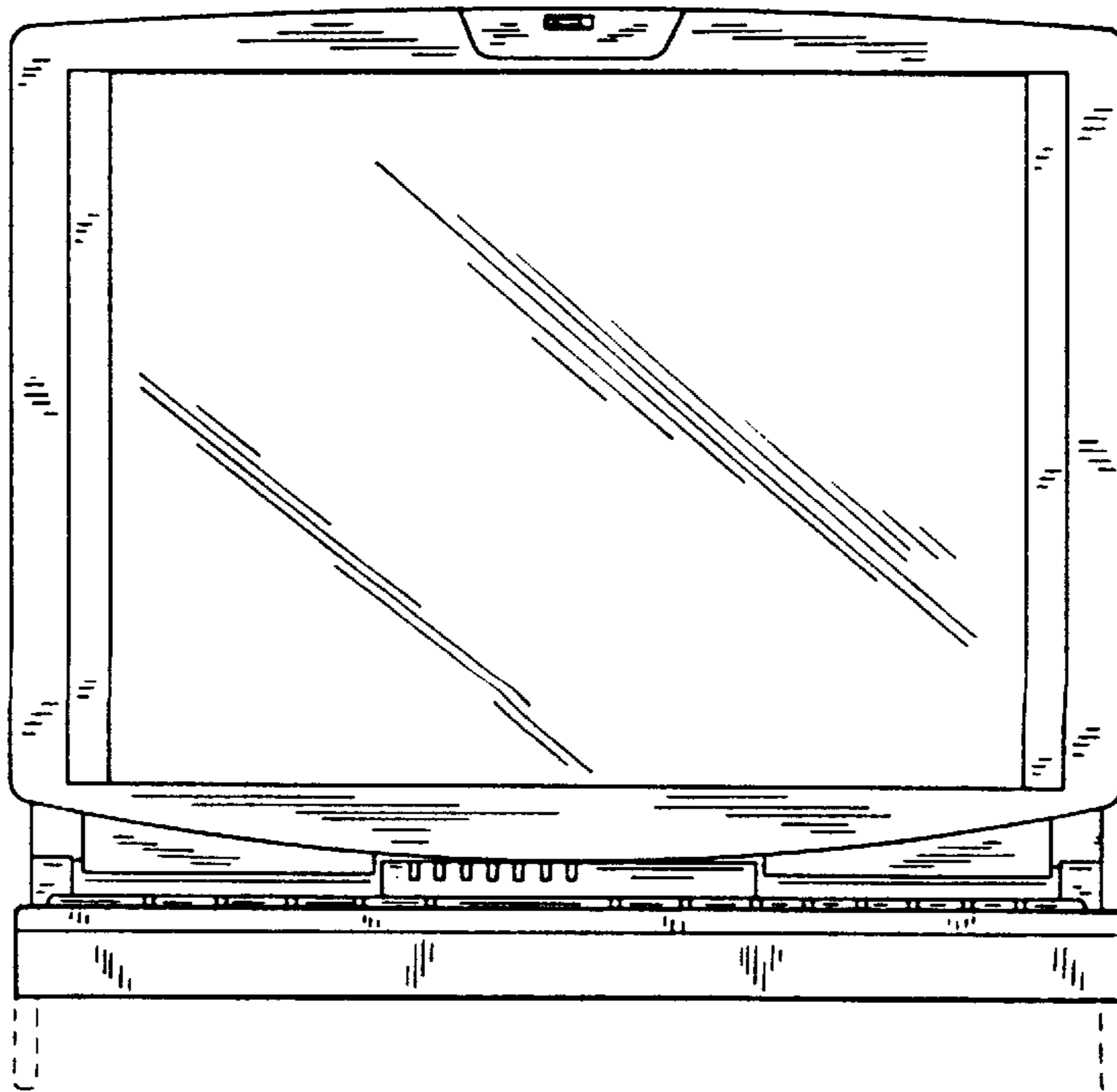


FIG. 11

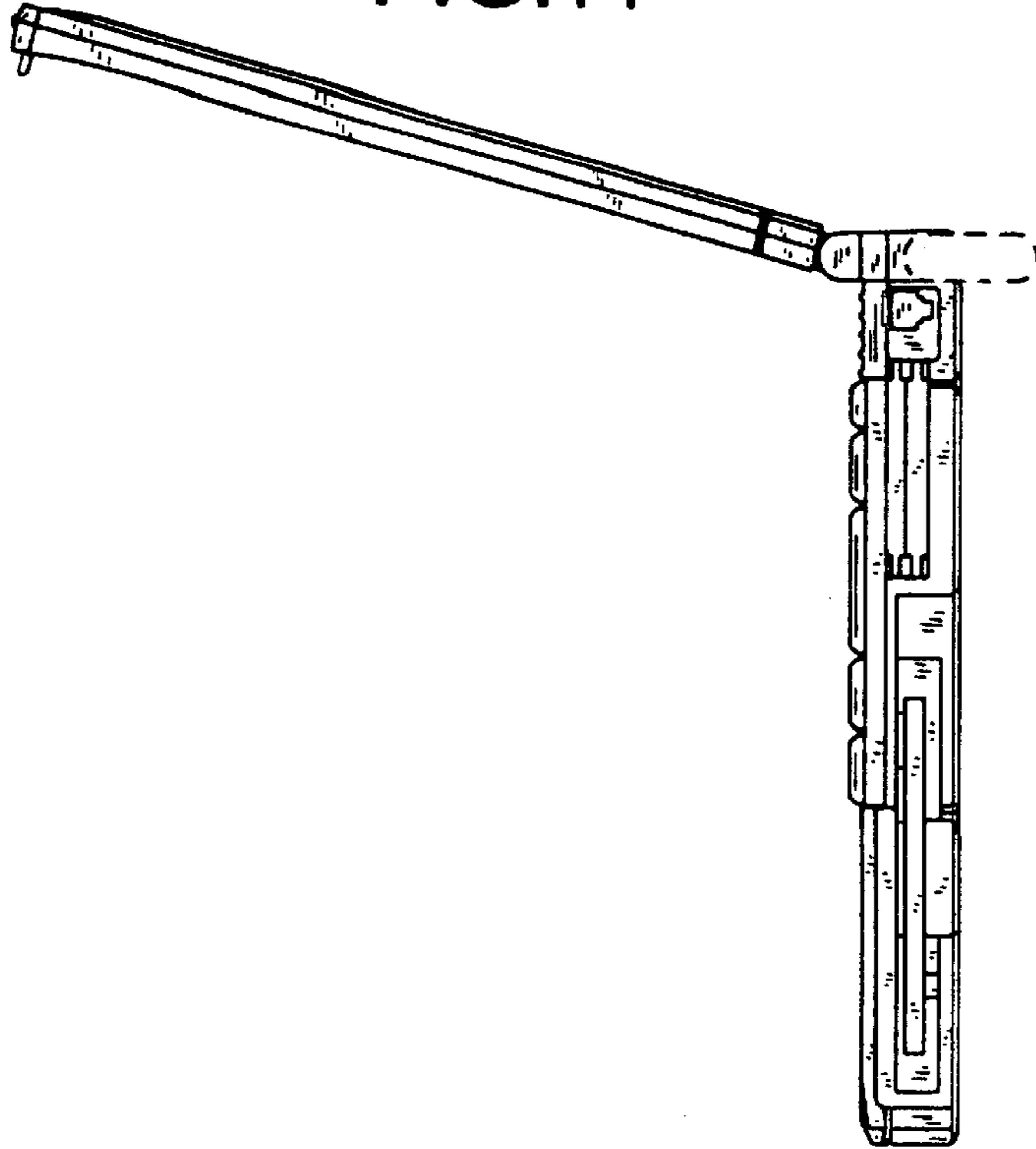


FIG. 14

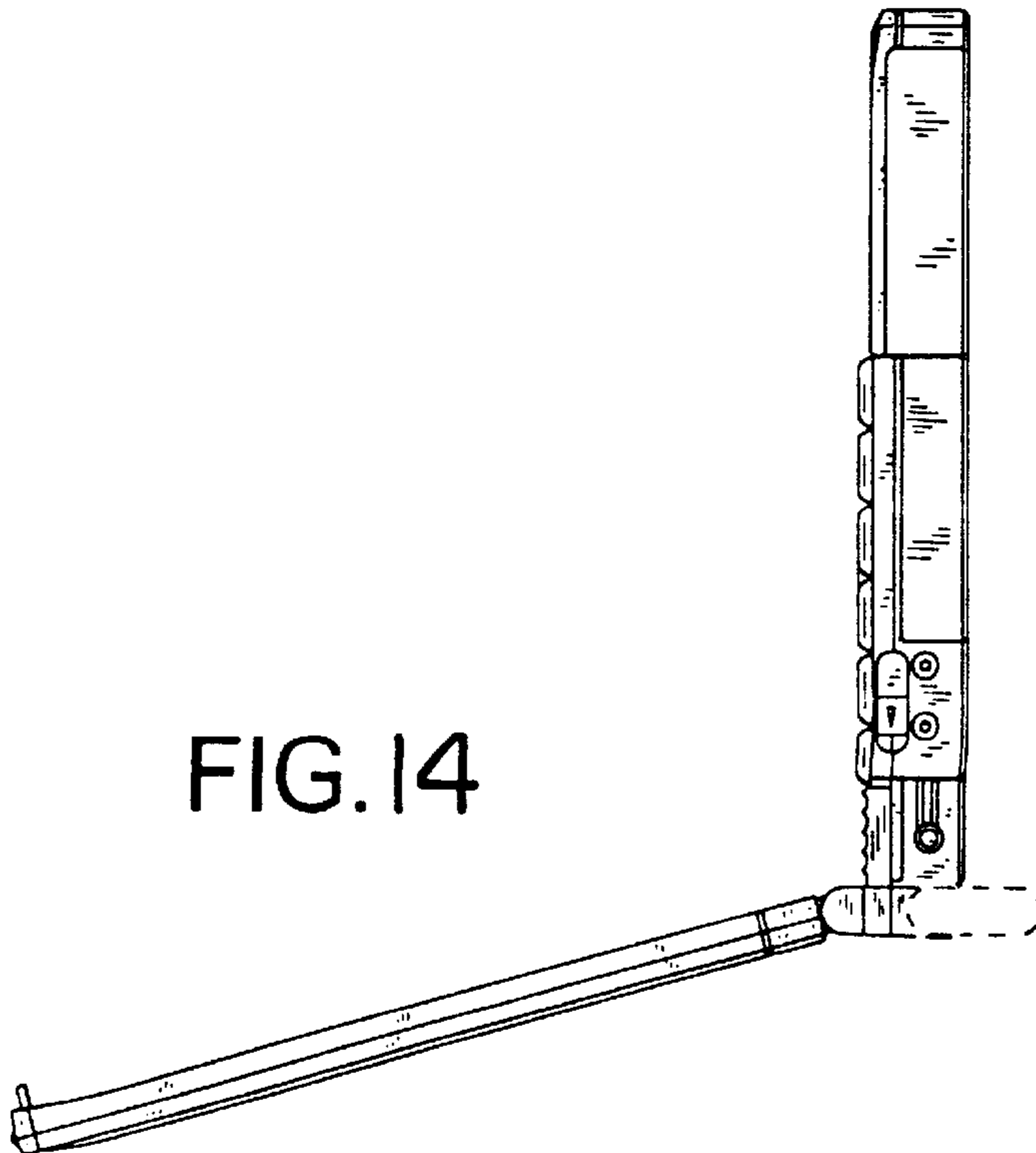


FIG.13

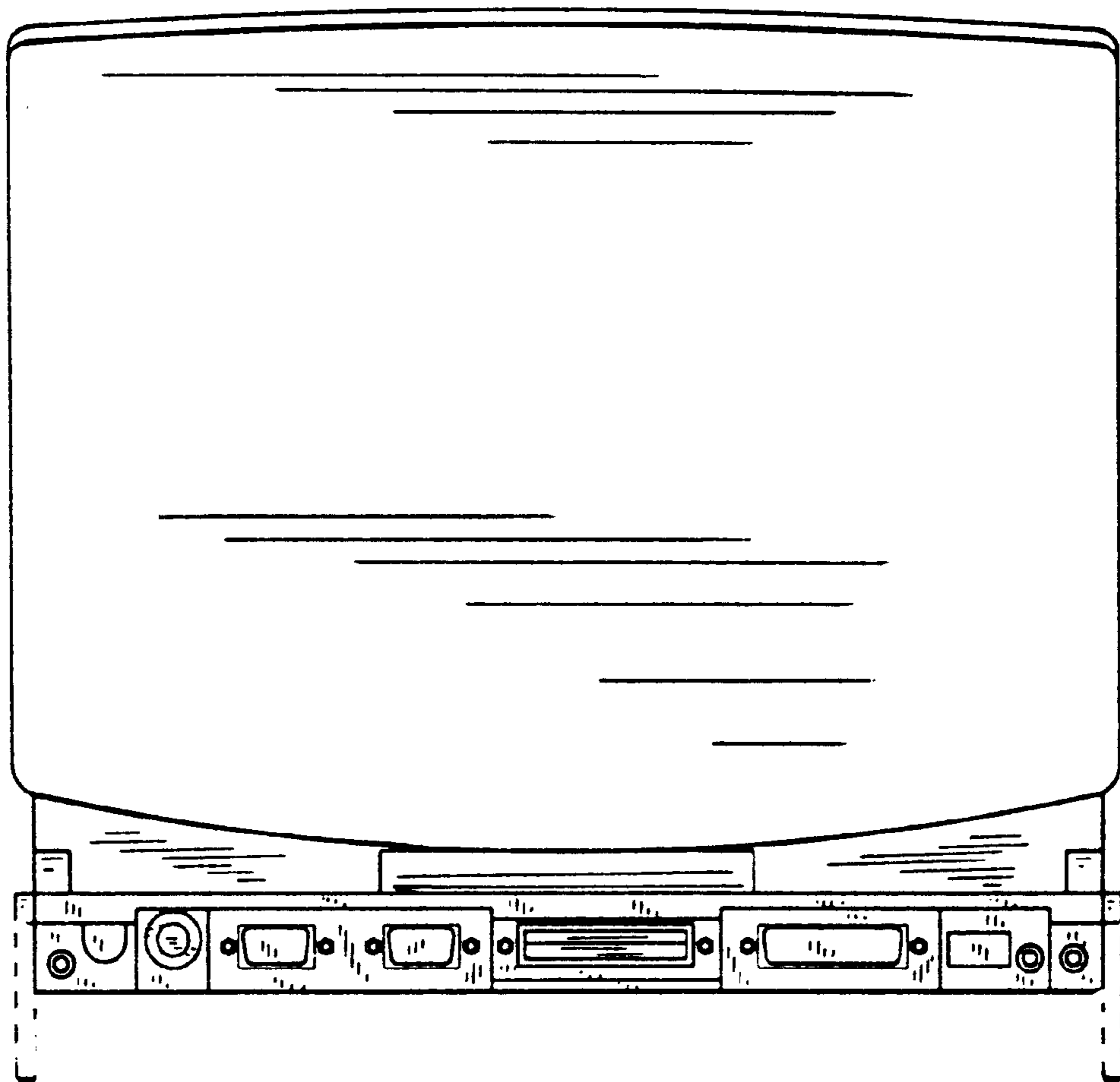


FIG. 15

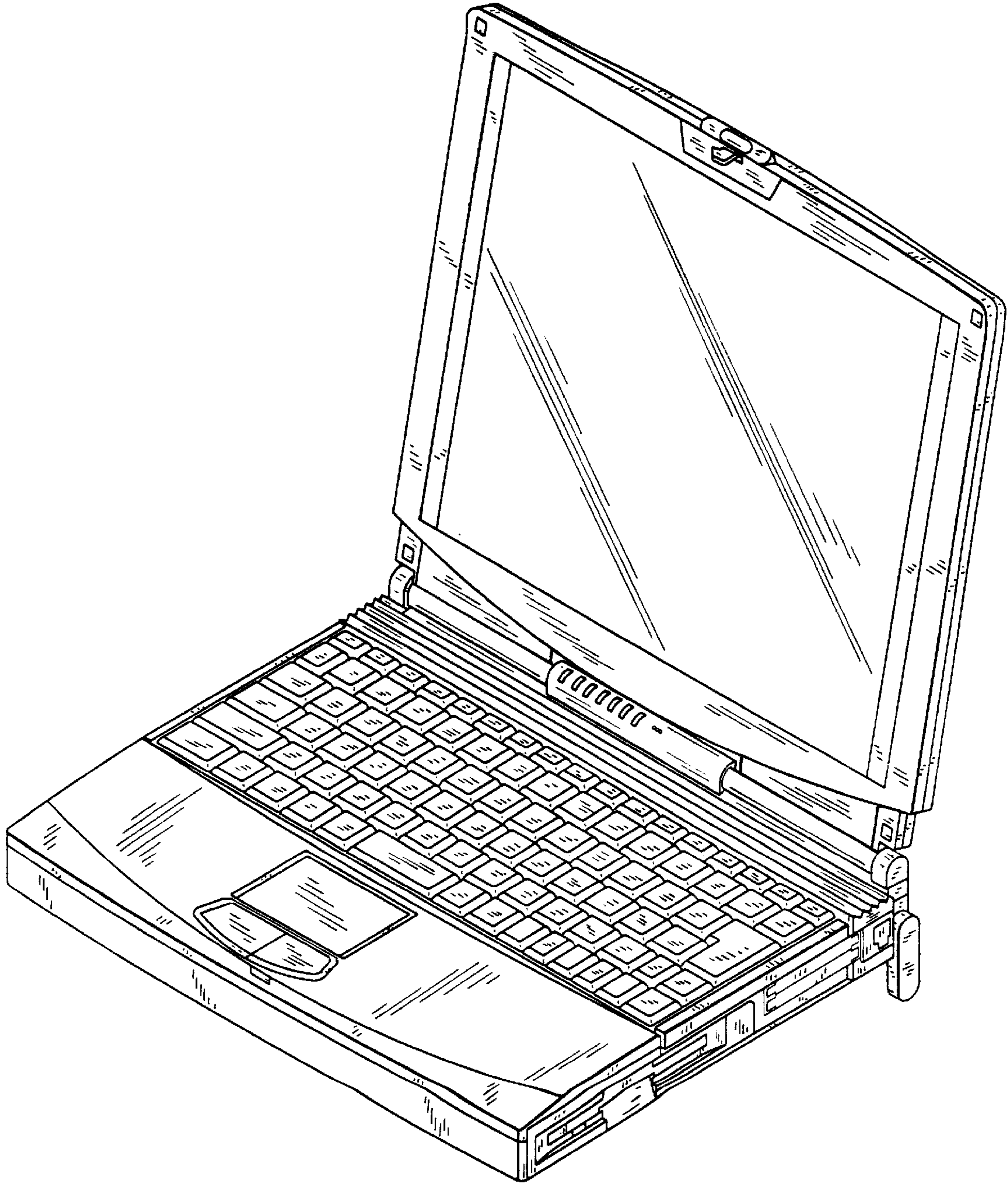


FIG. 16

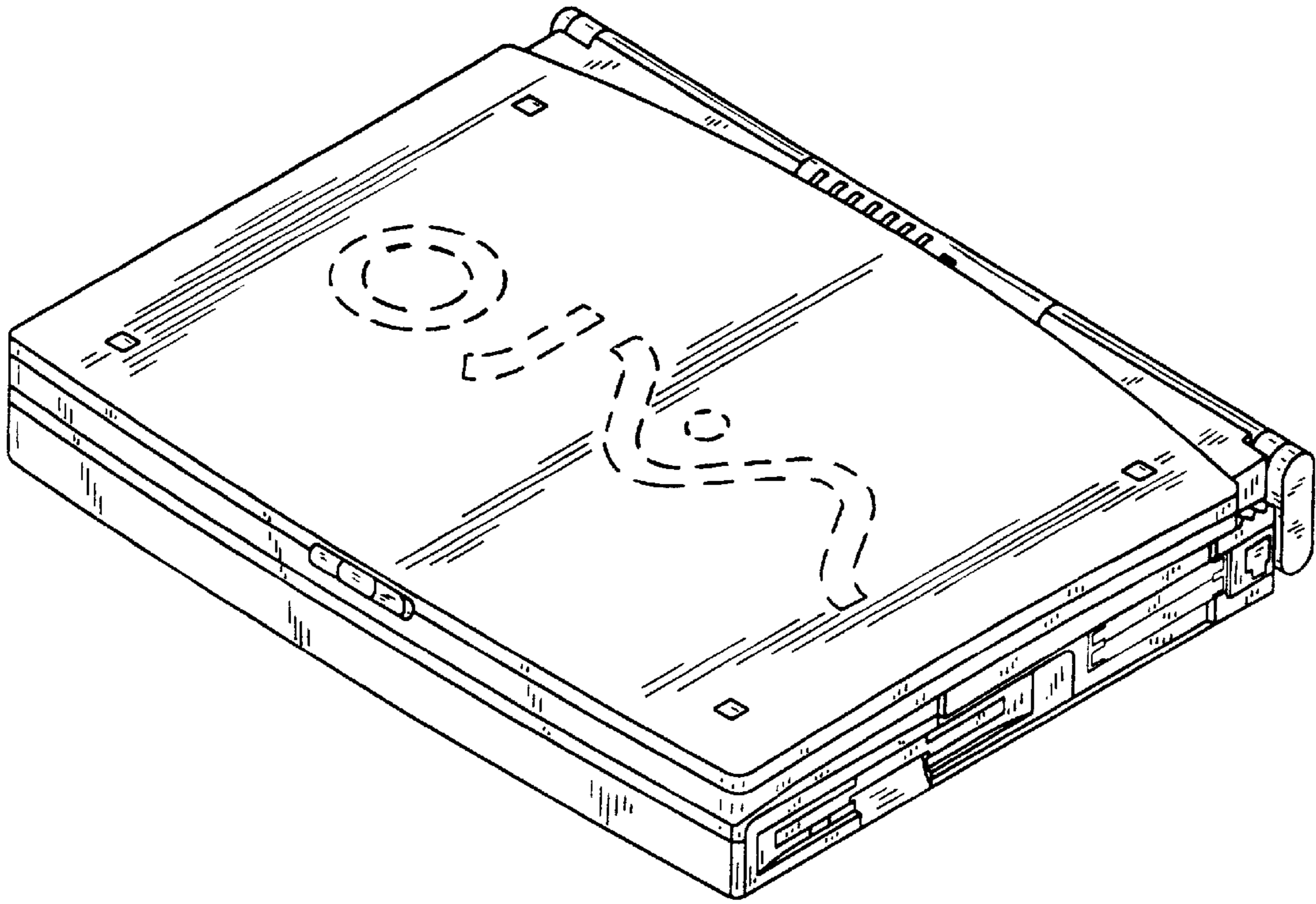


FIG. 17

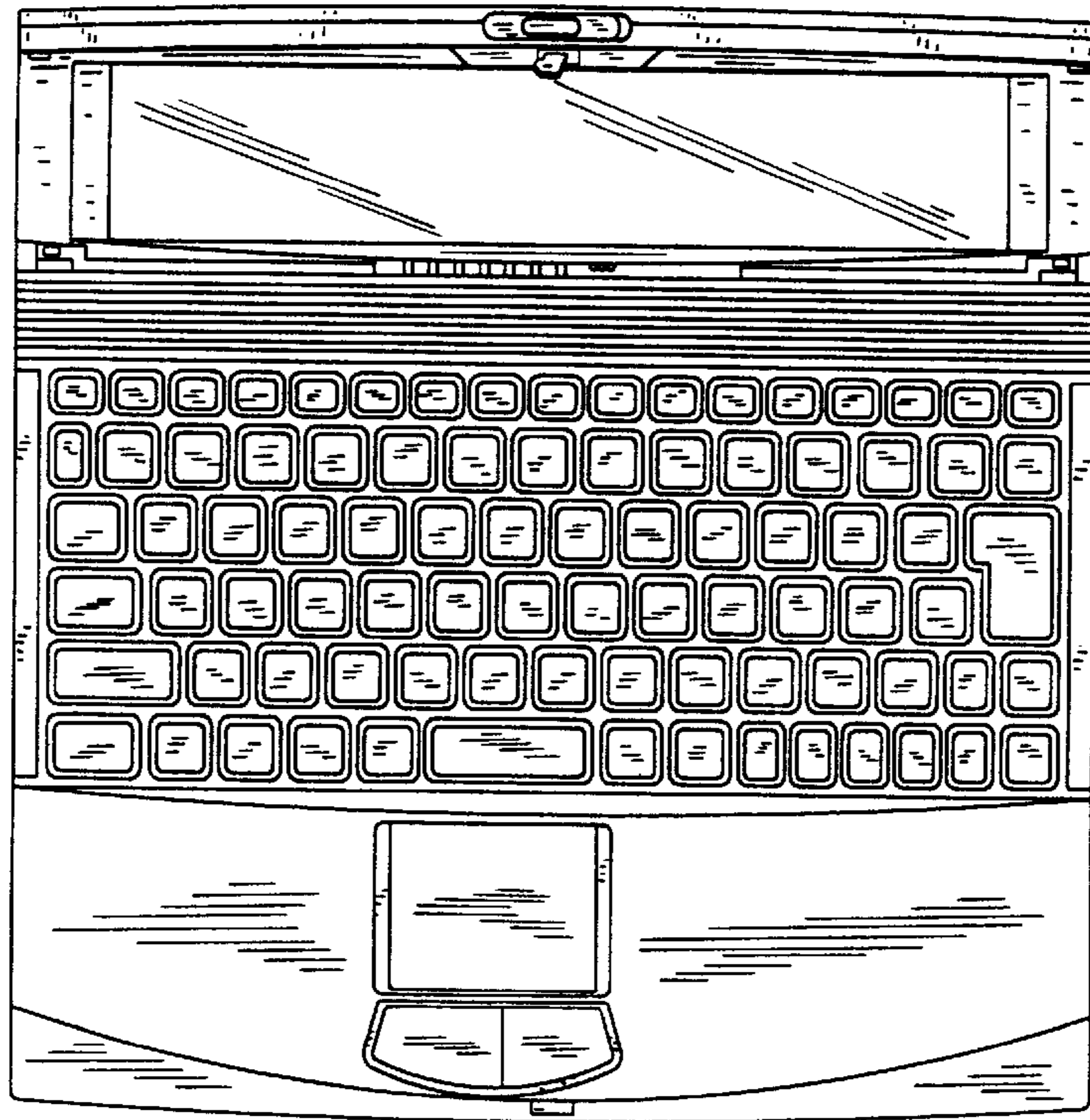


FIG. 19

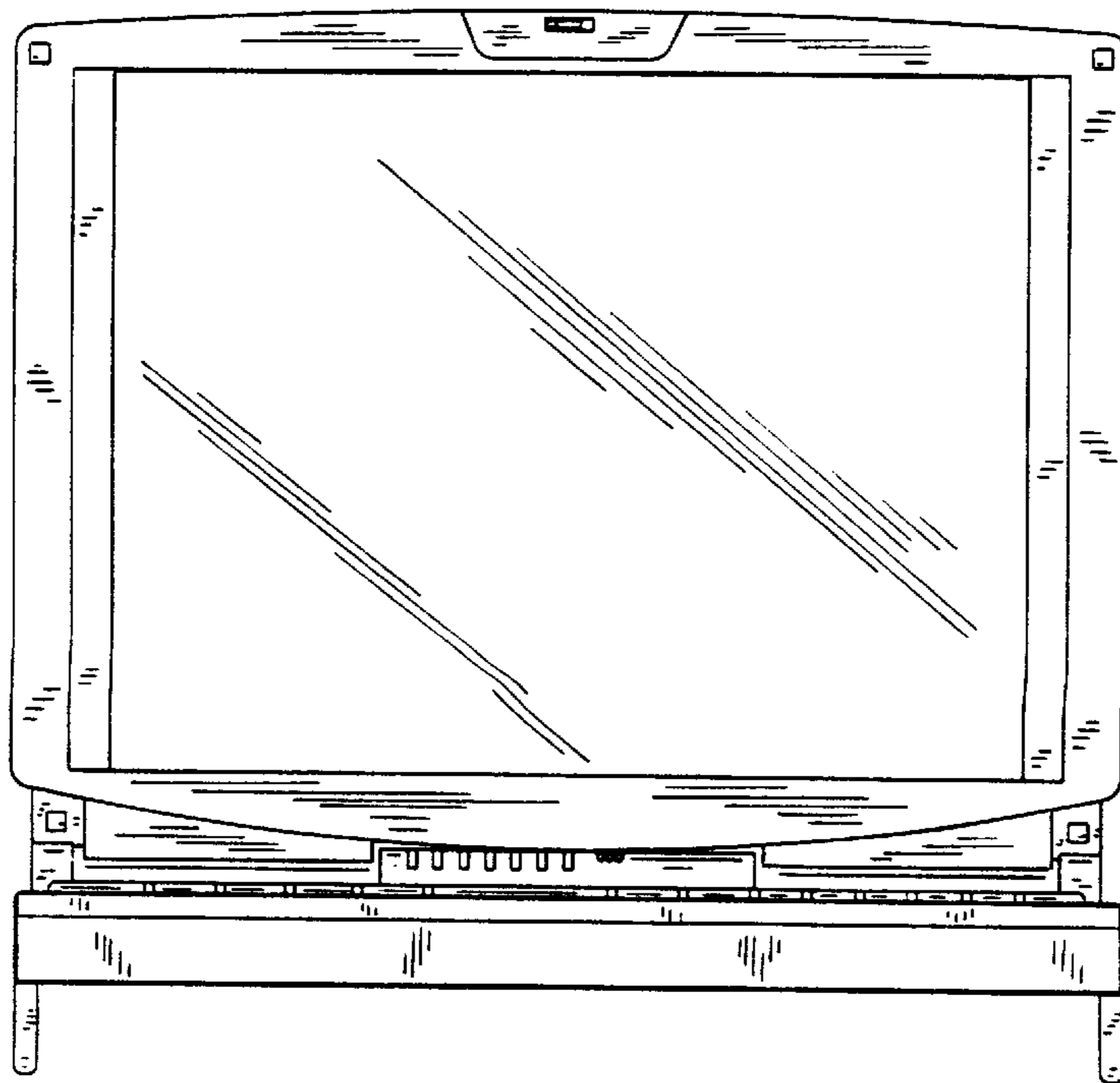


FIG. 18

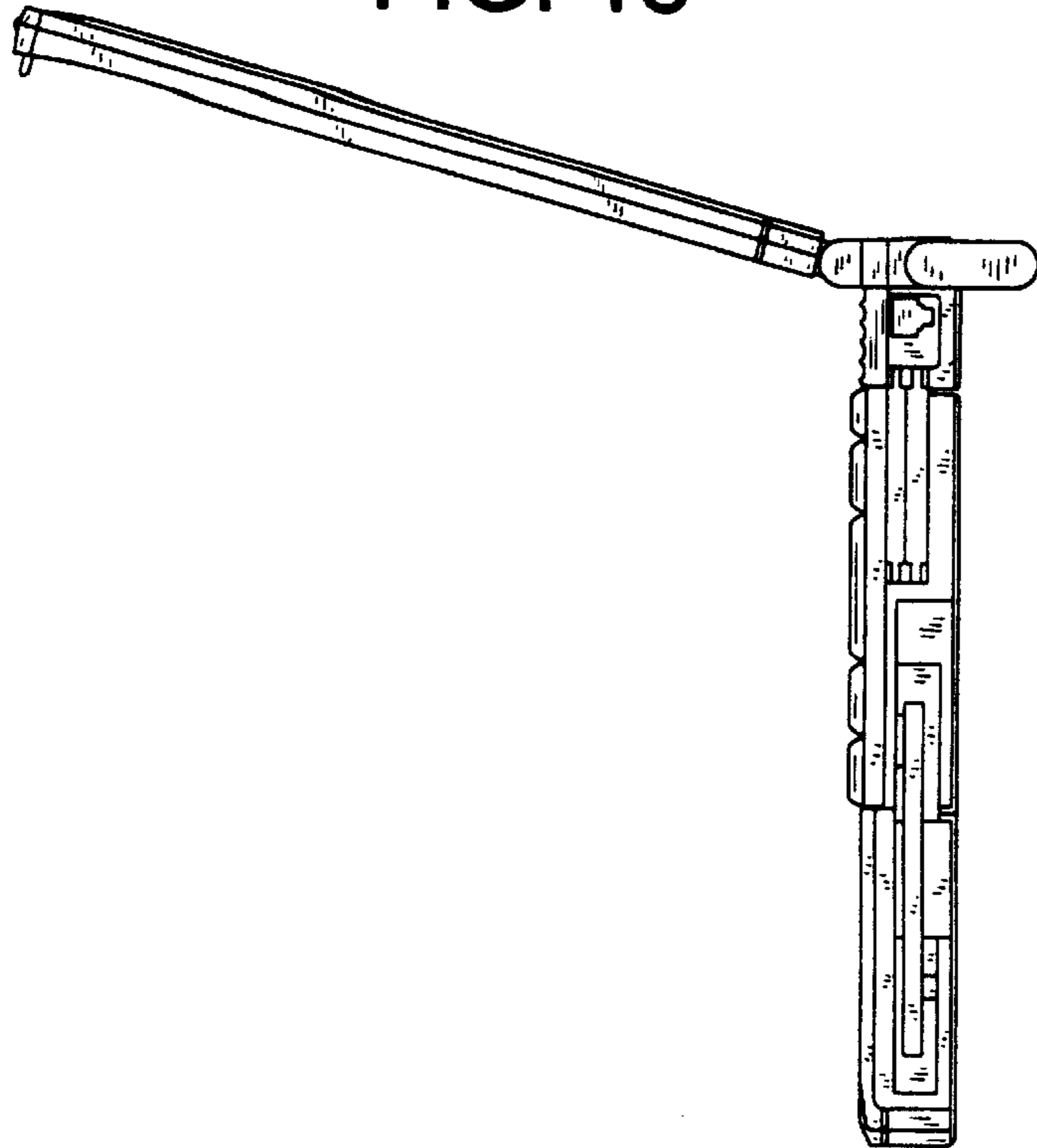


FIG. 21

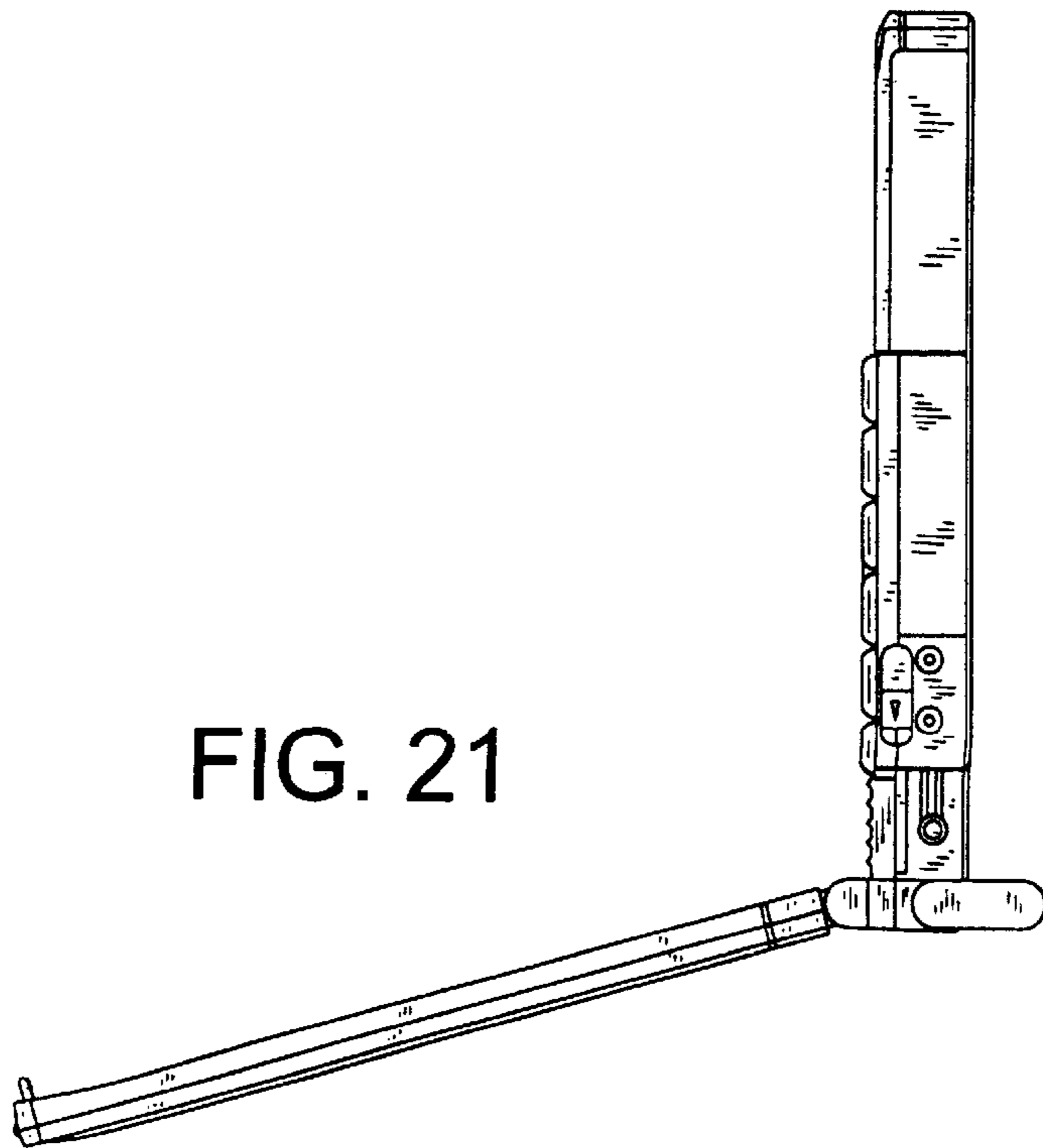


FIG. 20

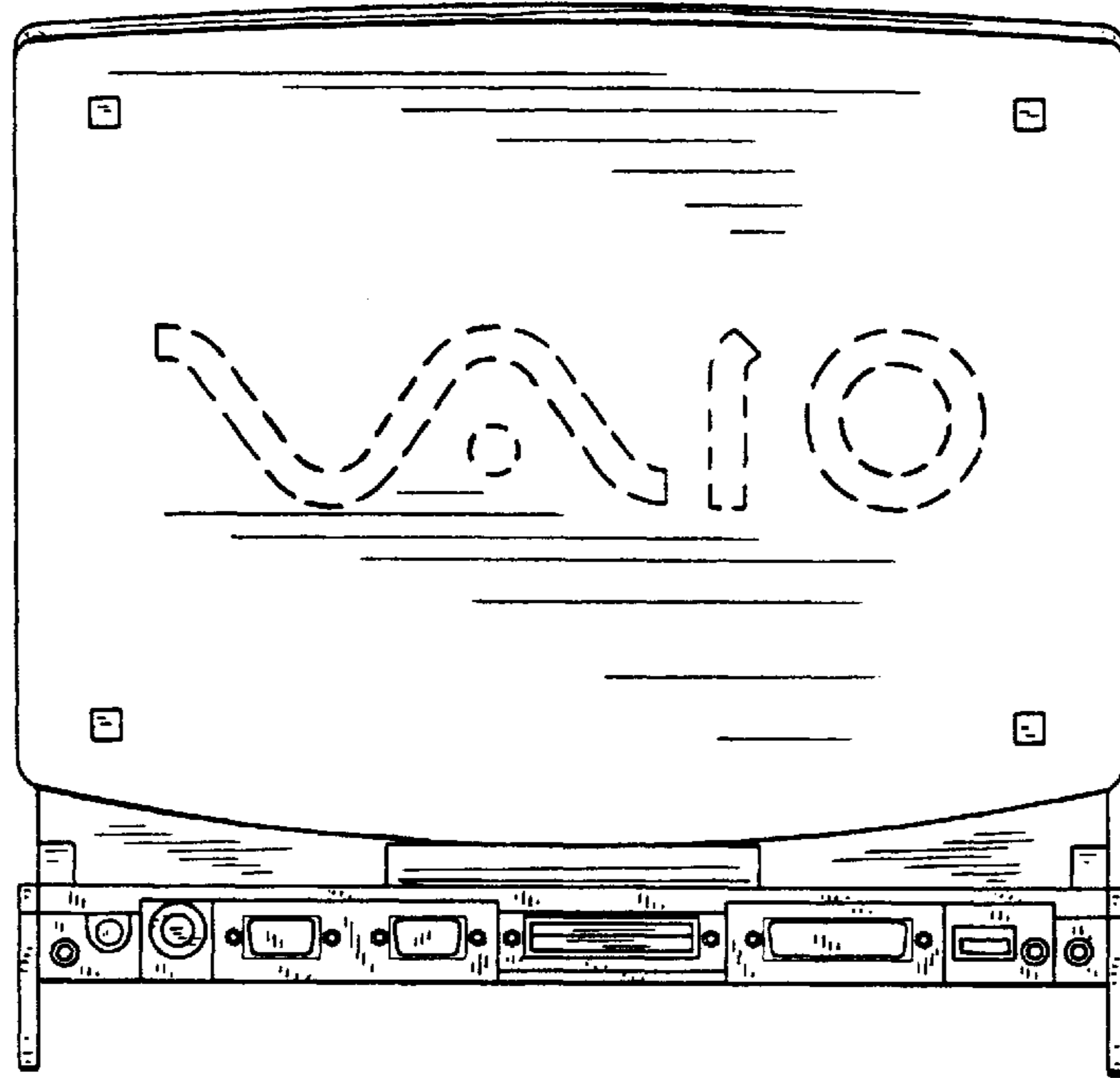


FIG. 22

