



US00D417655S

United States Patent [19]

Lin et al.

[11] Patent Number: **Des. 417,655**

[45] Date of Patent: **** Dec. 14, 1999**

[54] **ELECTRICAL CONNECTOR**

[75] Inventors: **Yuan-Chieh Lin**, Lake Forest; **Wayne Huang**, Alhambra, both of Calif.

[73] Assignee: **Hon Hai Precision Ind. Co., Ltd.**, Taipei Hsien, Taiwan

[**] Term: **14 Years**

[21] Appl. No.: **29/100,185**

[22] Filed: **Feb. 4, 1999**

[51] **LOC (6) Cl.** **13-03**

[52] **U.S. Cl.** **D13/147**

[58] **Field of Search** D13/146, 147, D13/154; 439/362, 365, 636, 610

[56] **References Cited**

U.S. PATENT DOCUMENTS

D. 401,905	12/1998	Sato	D13/147
D. 406,819	3/1999	Taguchi	D13/154
4,577,919	3/1986	Waters	439/597
4,861,276	8/1989	Muller et al.	439/365

5,108,294	4/1992	Marsh et al.	439/76.1
5,158,474	10/1992	Frantz	439/362
5,342,216	8/1994	Davis et al.	439/362
5,829,991	11/1998	Murphy et al.	439/98

Primary Examiner—Joel Sincavage
Attorney, Agent, or Firm—Wei Te Chung

[57] **CLAIM**

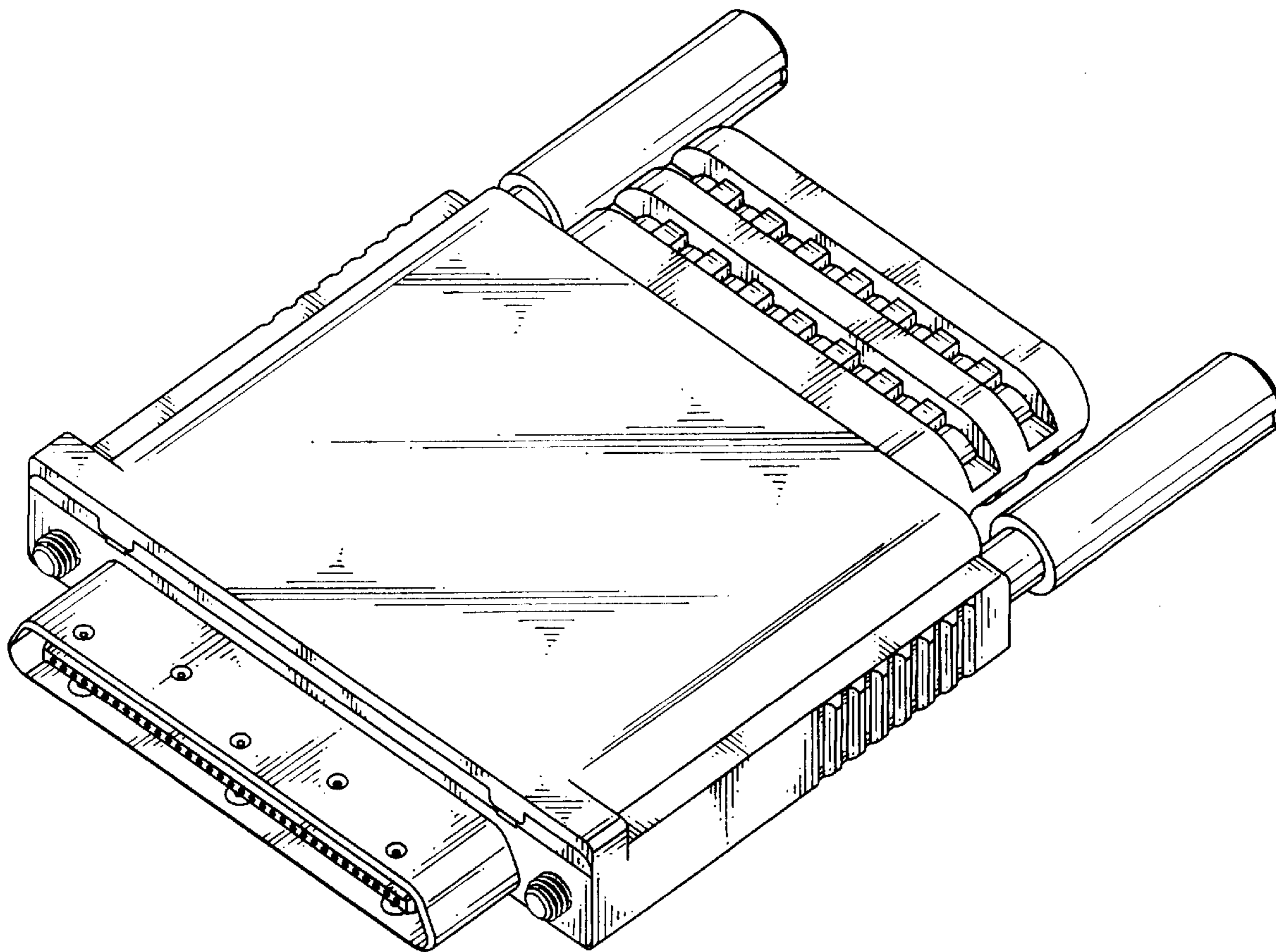
The ornamental design for an electrical connector, as shown and described.

DESCRIPTION

FIG. 1 is a front-right-top perspective view of an electrical connector showing my new design; FIG. 2 is a front elevational view thereof; FIG. 3 is a rear elevational view thereof; FIG. 4 is a left side elevational view thereof; FIG. 5 is a right side elevational view thereof; and, FIG. 6 is a top plan view thereof.

The connector as seen from the bottom forms no part of the claimed design.

1 Claim, 4 Drawing Sheets



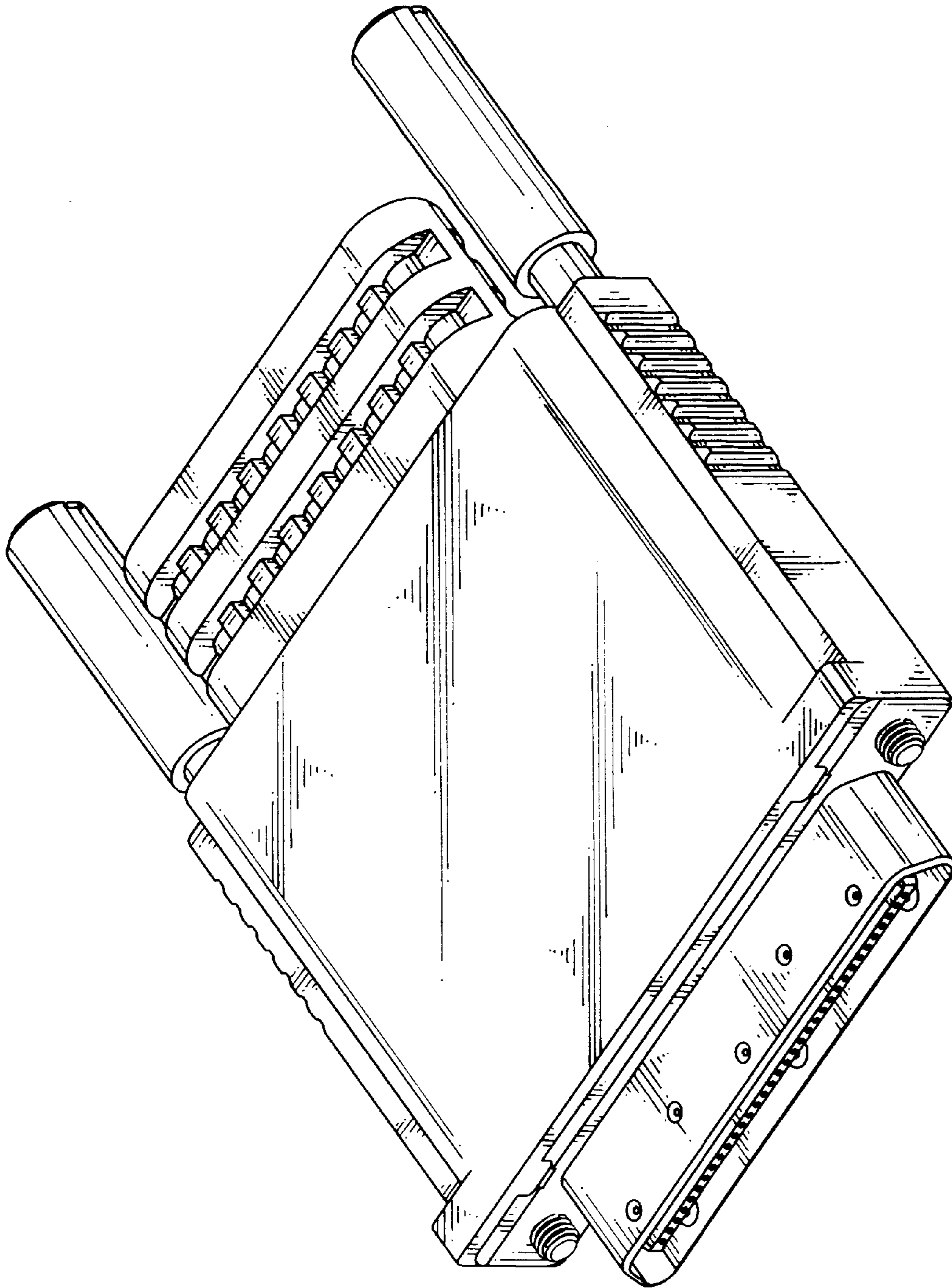


FIG. 1

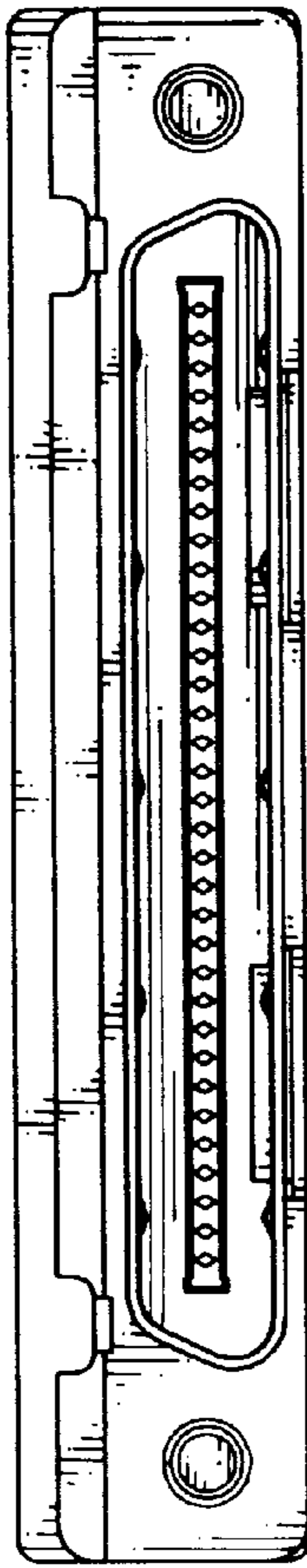


FIG. 2

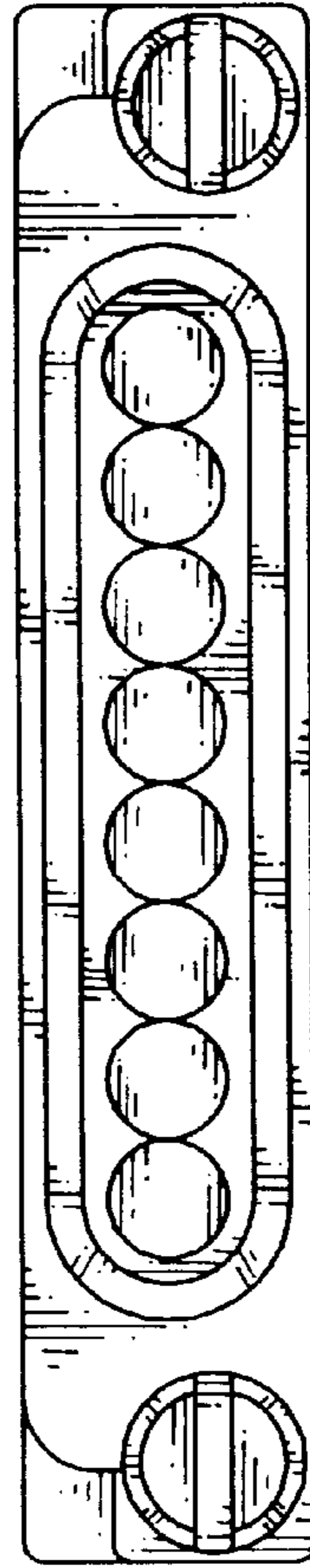


FIG. 3

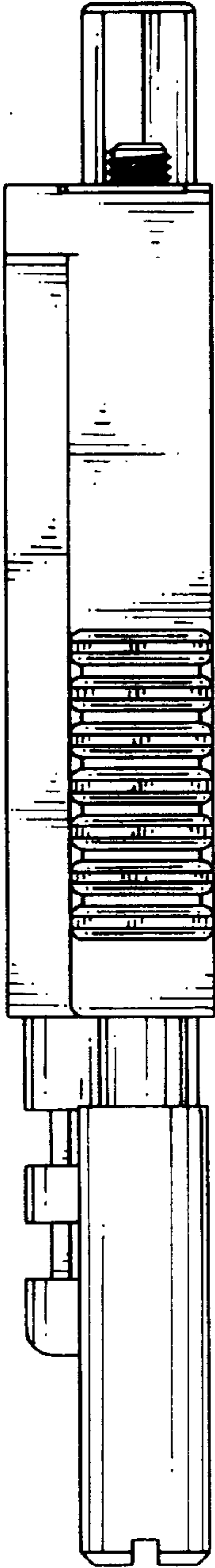


FIG. 4

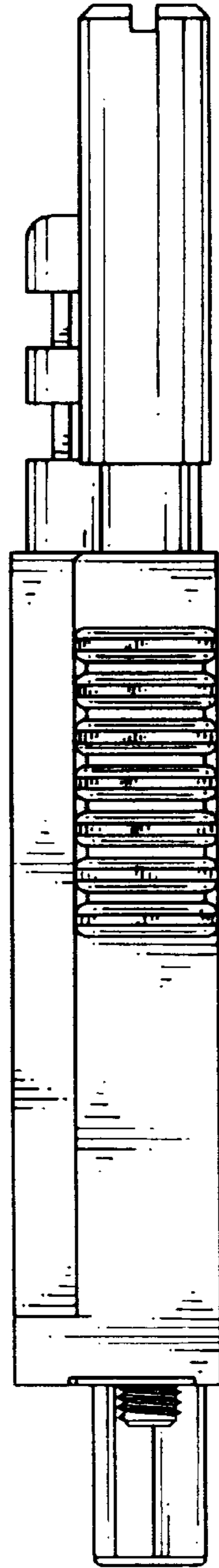


FIG. 5

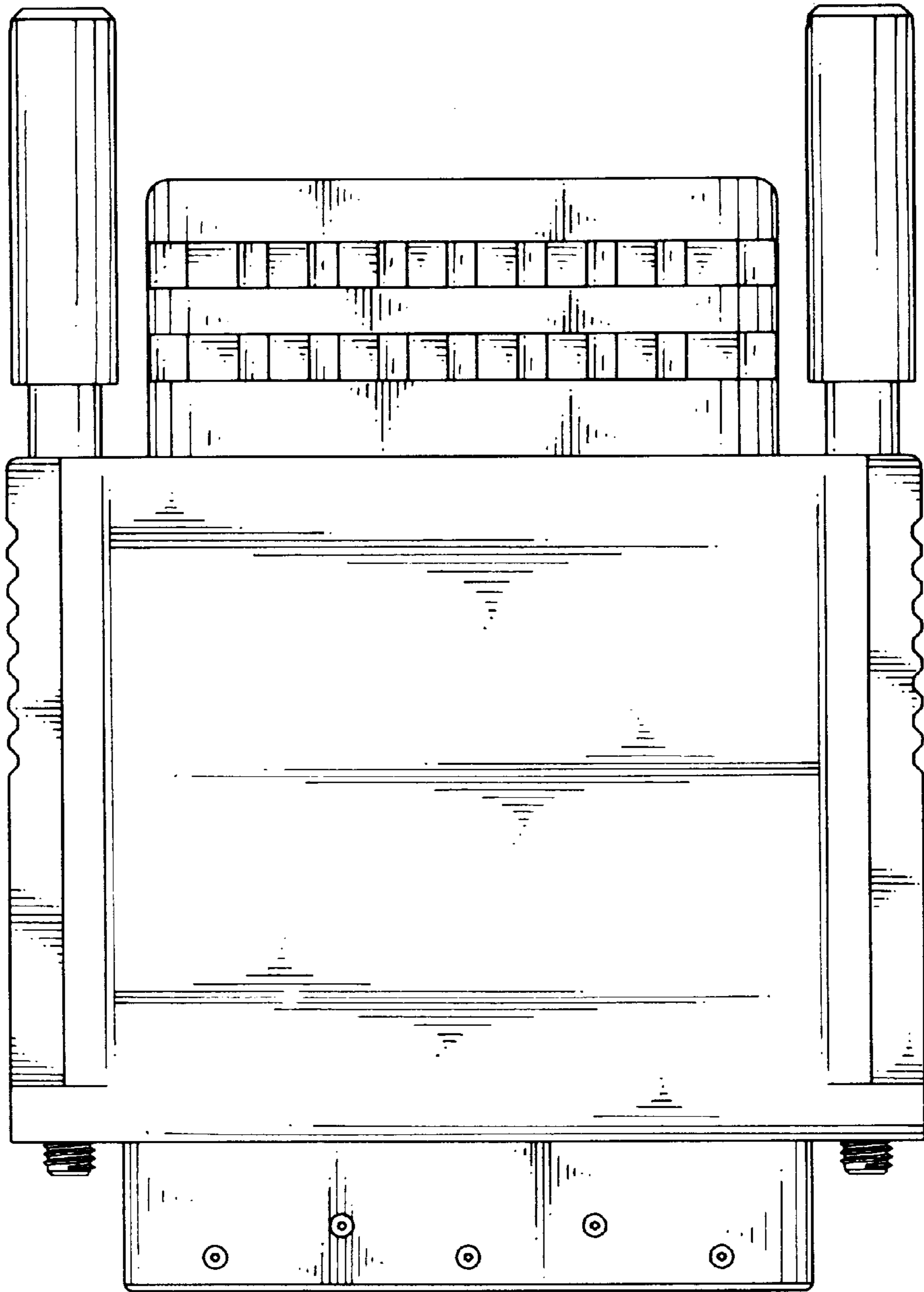


FIG. 6