



US00D417653S

# United States Patent [19] Henrici

[11] **Patent Number: Des. 417,653**

[45] **Date of Patent: \*\* Dec. 14, 1999**

[54] **FLUORESCENT LAMP SOCKET**

4,084,873 4/1978 Grate ..... 439/244  
5,263,881 11/1993 Henrici et al. .... 439/686

[75] Inventor: **Dieter Henrici**, Arnsberg, Germany

### FOREIGN PATENT DOCUMENTS

[73] Assignee: **Brokelmann, Jaeger & Busse, GmbH & Co.**, Arnsberg, Germany

4324225 2/1995 Germany ..... F21V 25/00  
404169085 6/1992 Japan ..... H01R 33/08  
404196079 7/1992 Japan ..... H01R 33/08  
408288031 11/1996 Japan ..... H01R 33/08

[\*\*] Term: **14 Years**

[21] Appl. No.: **29/098,468**

*Primary Examiner*—Joel Sincavage  
*Attorney, Agent, or Firm*—Herbert Dubno

[22] Filed: **Dec. 30, 1998**

### [57] CLAIM

### Related U.S. Application Data

The ornamental design for a fluorescent lamp socket, as shown and described.

[62] Division of application No. 29/071,982, Jun. 10, 1997, Pat. No. Des. 406,814.

### DESCRIPTION

[51] **LOC (6) Cl.** ..... **13-03**

FIG. 1 is a front, top right side perspective view of a fluorescent lamp socket showing my new design;  
FIG. 2 is a front elevational view thereof;  
FIG. 3 is a top view thereof;  
FIG. 4 is a rear view thereof;  
FIG. 5 is a bottom view thereof;  
FIG. 6 is a left side elevational view thereof; and,  
FIG. 7 is a right side elevational view thereof.

[52] **U.S. Cl.** ..... **D13/134**

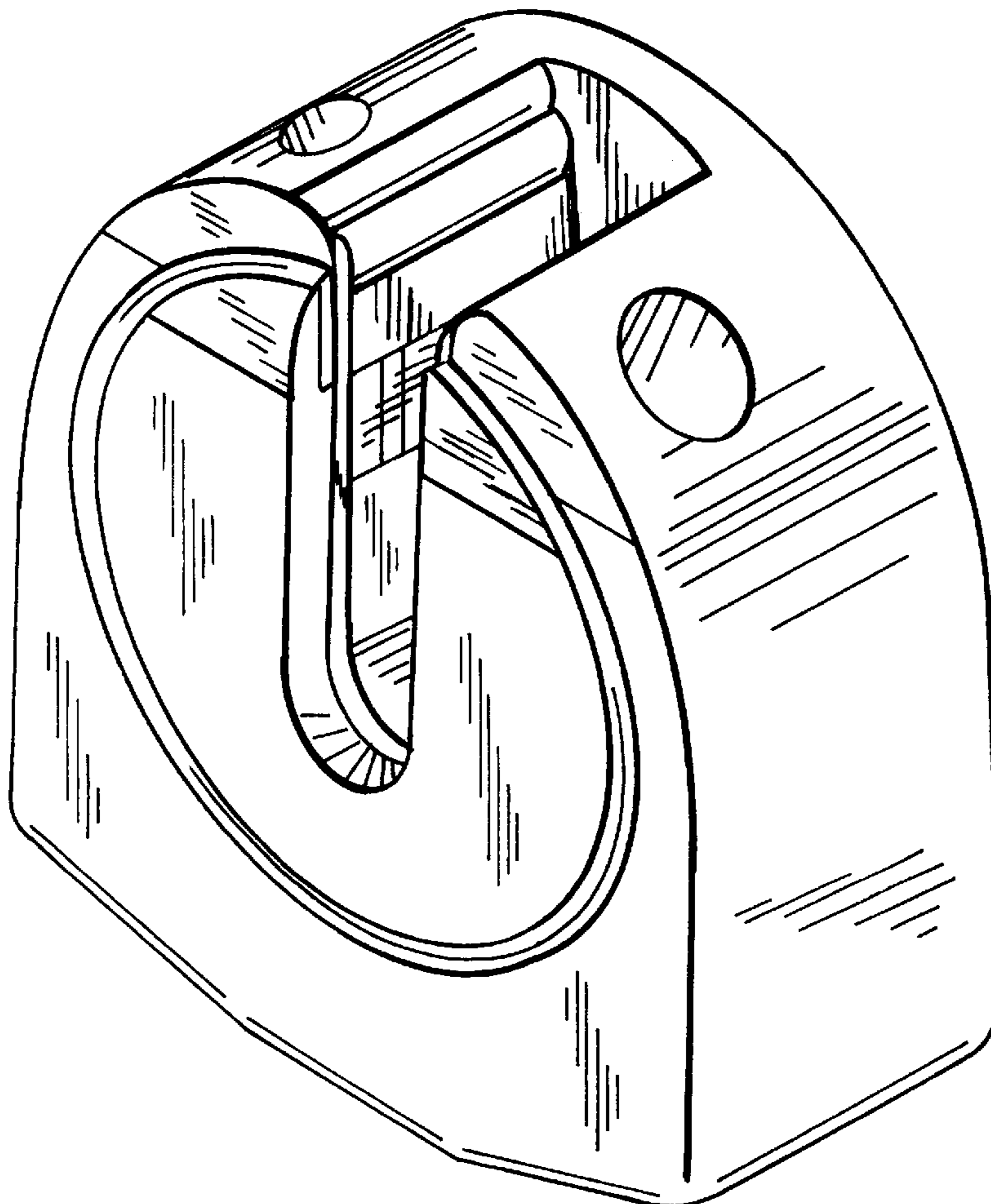
[58] **Field of Search** ..... D13/134; D26/75;  
439/611, 612, 226; 313/51, 318.01, 318.07,  
318.09, 318.11

### [56] References Cited

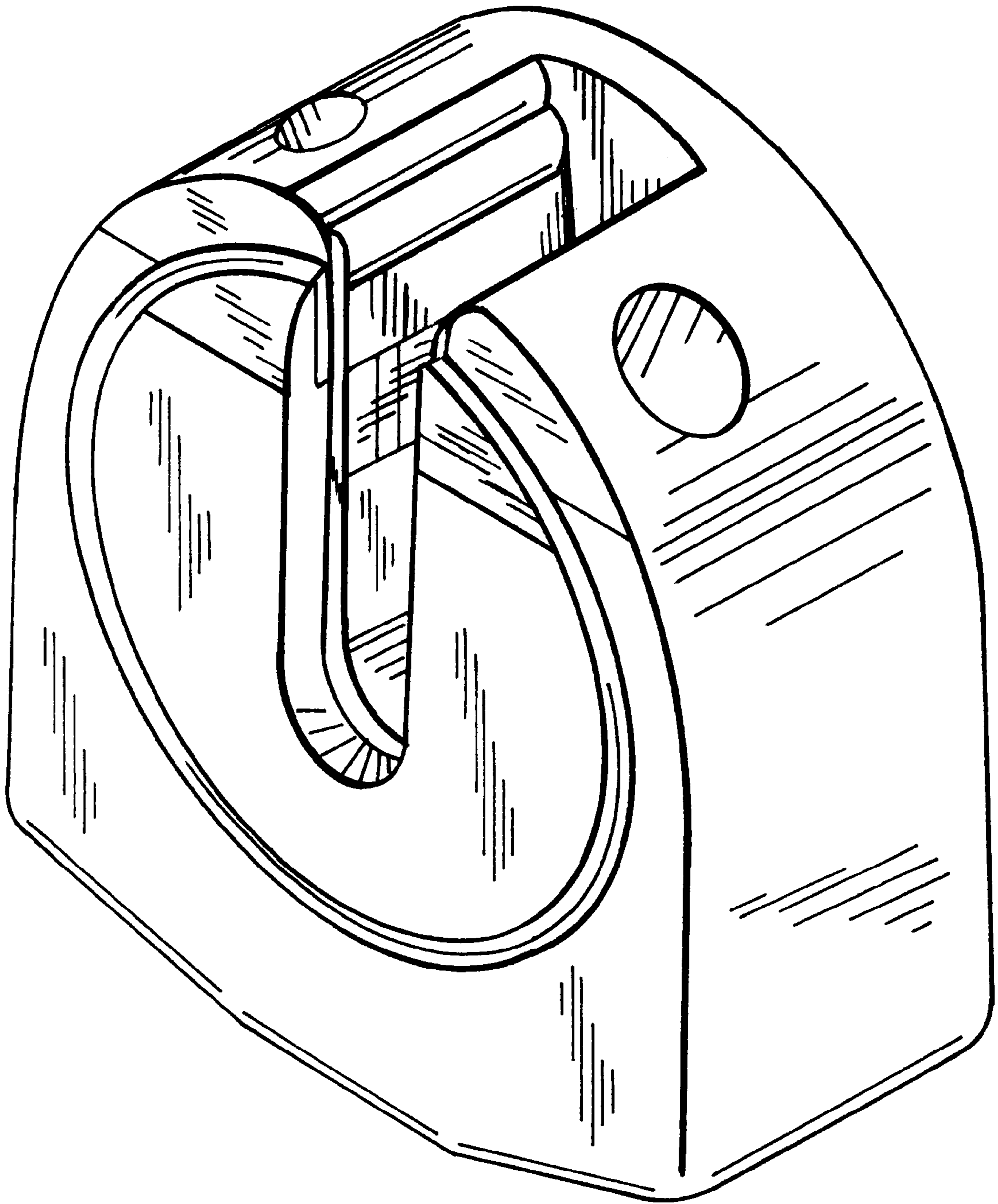
#### U.S. PATENT DOCUMENTS

D. 388,395 12/1997 Henrici ..... D13/134

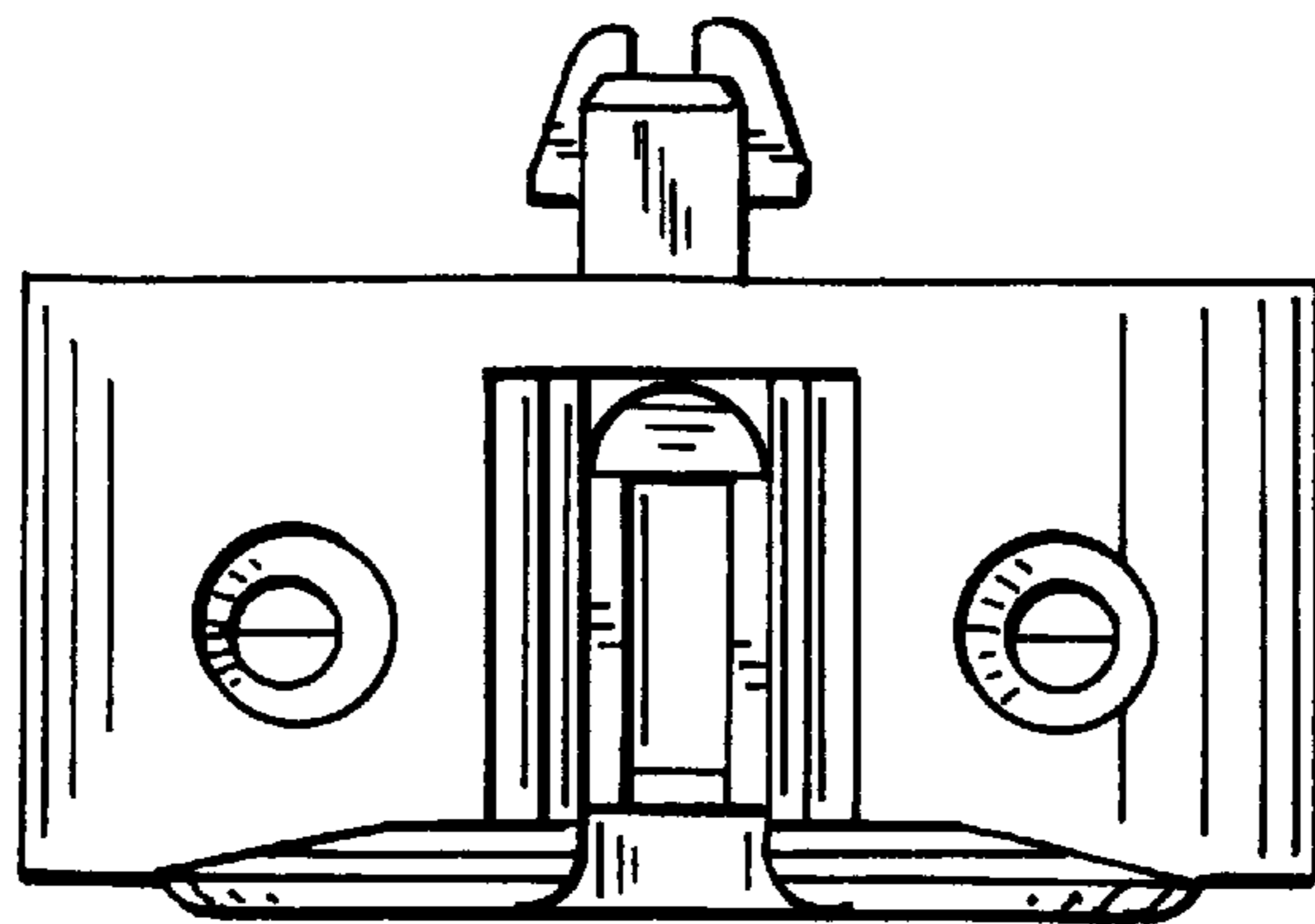
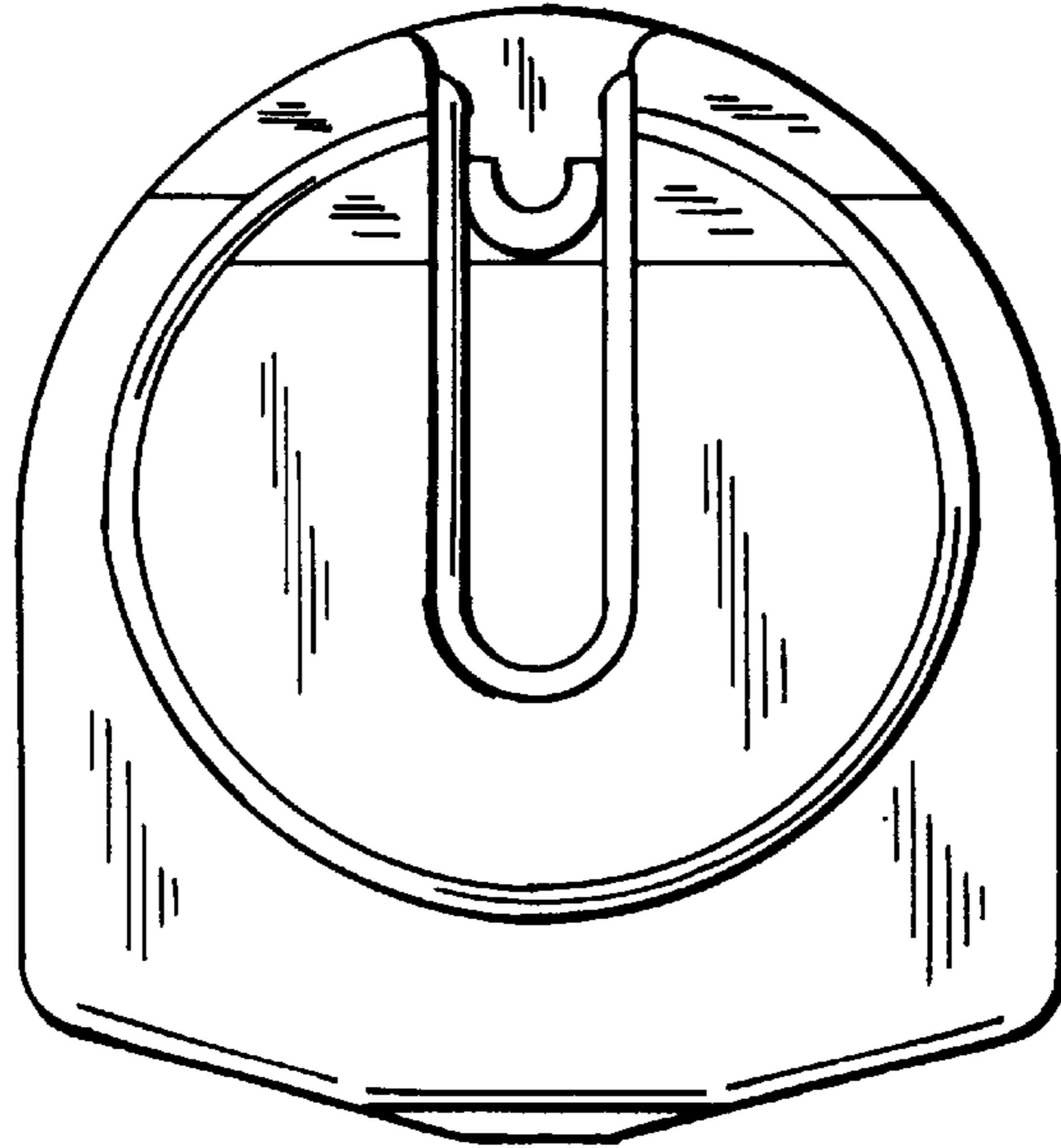
**1 Claim, 4 Drawing Sheets**



# FIG. 1

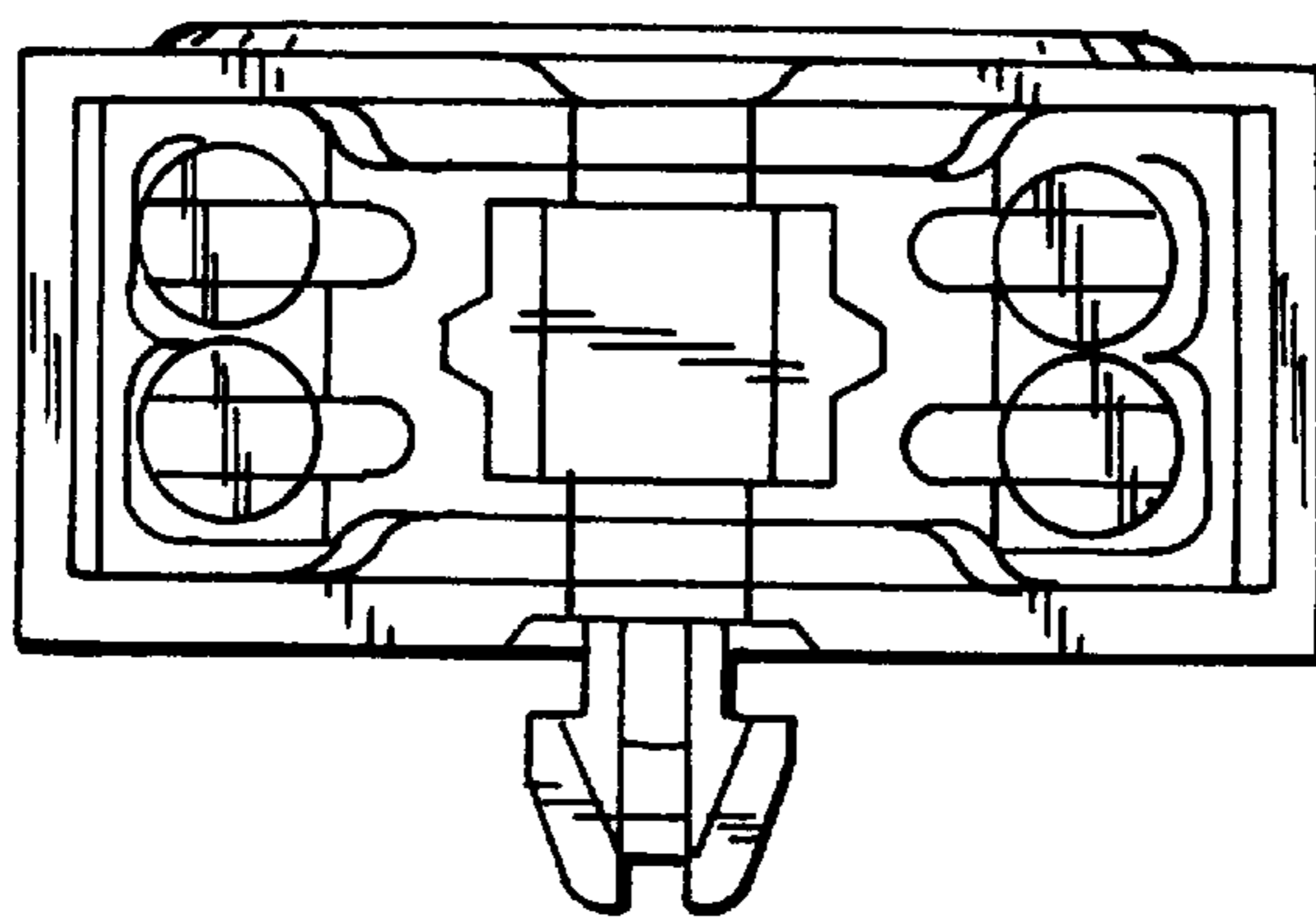
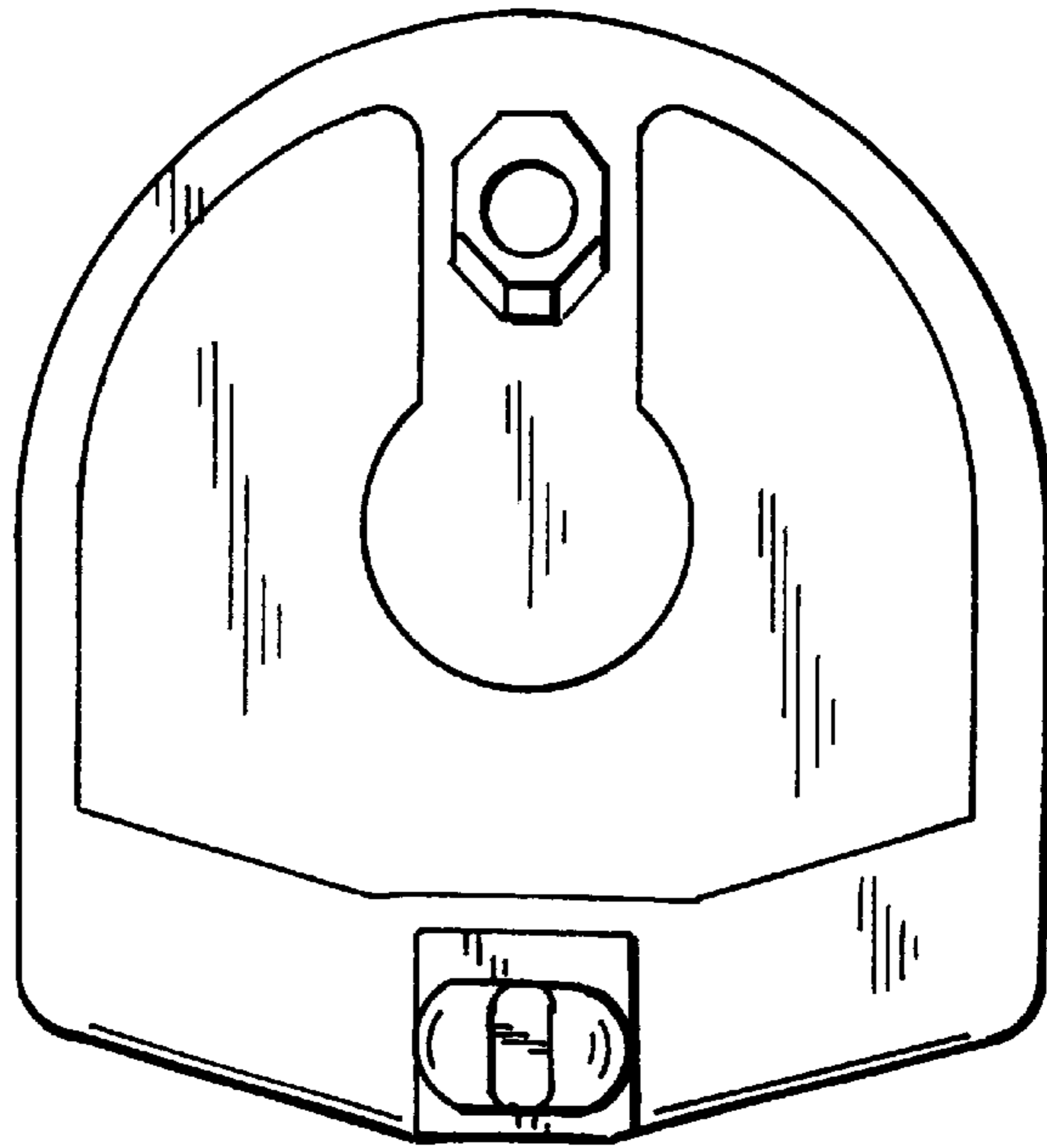


**FIG. 2**



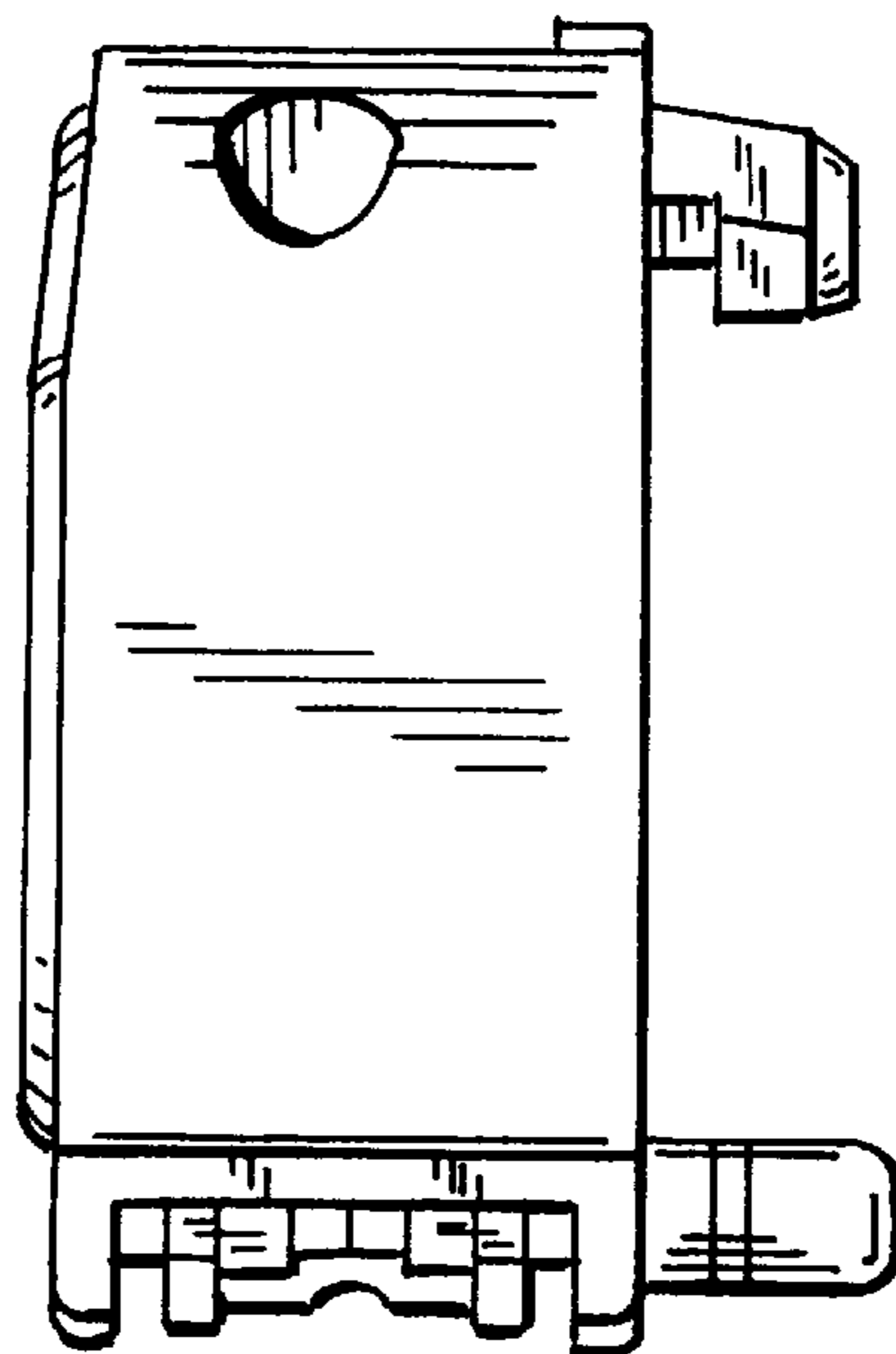
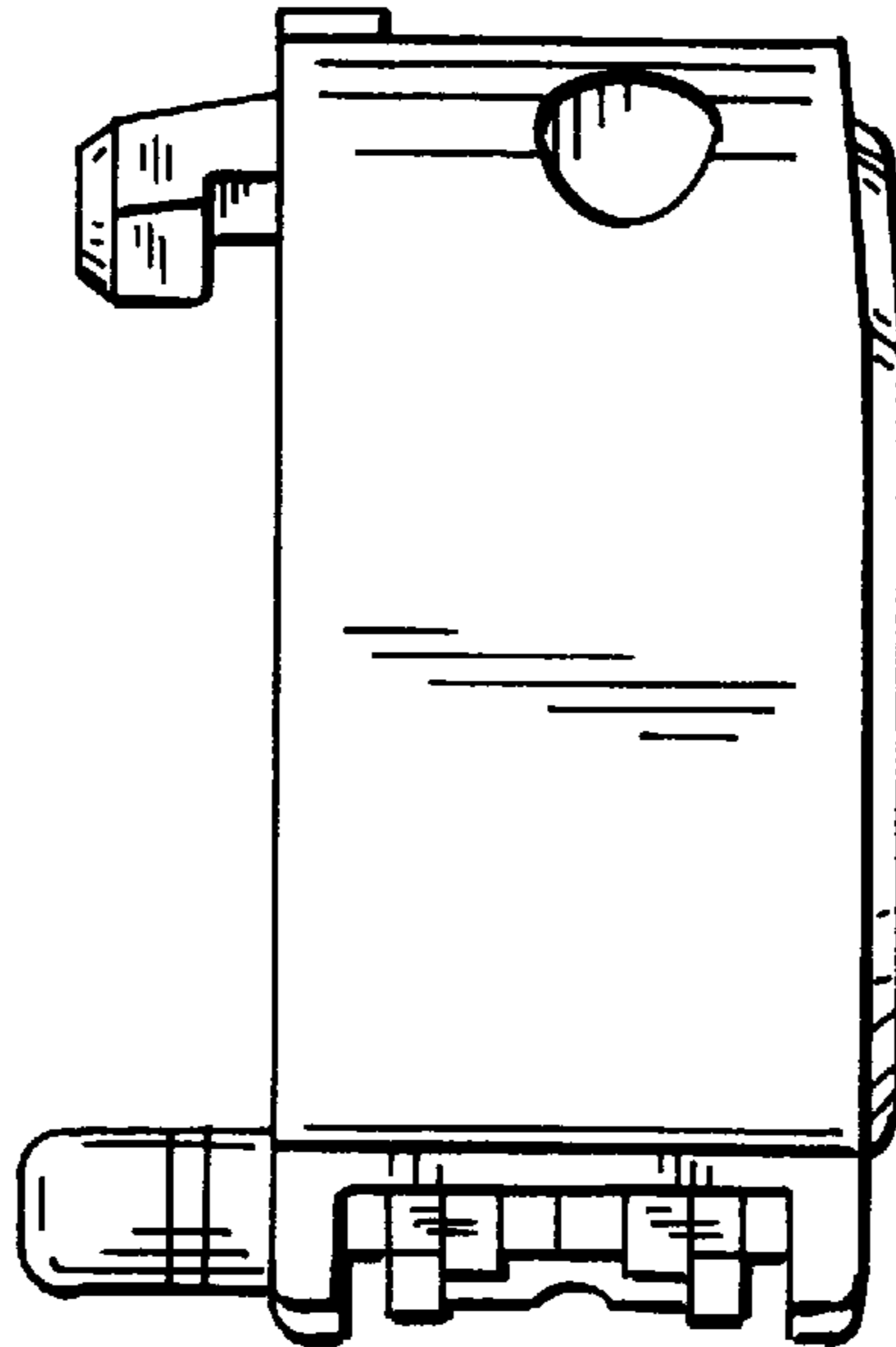
**FIG. 3**

**FIG. 4**



**FIG. 5**

**FIG. 6**



**FIG. 7**