



US00D417651S

# United States Patent [19] Ohsumi

[11] Patent Number: Des. 417,651

[45] Date of Patent: \*\* Dec. 14, 1999

[54] **POWER GENERATOR**

[75] Inventor: Masayuki Ohsumi, Wako, Japan

[73] Assignee: Honda Giken Kogyo Kabushiki Kaisha, Tokyo, Japan

[\*\*] Term: 14 Years

[21] Appl. No.: 29/084,859

[22] Filed: Mar. 12, 1998

[30] **Foreign Application Priority Data**

Feb. 12, 1997 [JP] Japan ..... 9-67609

[51] LOC (6) Cl. .... 13-02

[52] U.S. Cl. .... D13/116

[58] Field of Search ..... D13/112, 114,  
D13/116; 290/1 A, 1 B; 307/150; 123/2,  
3

[56] **References Cited**

**U.S. PATENT DOCUMENTS**

D. 276,515	11/1984	Yaguchi	.....	D13/116
D. 282,252	1/1986	Yamaguchi et al.	.....	D13/116
D. 291,432	8/1987	Yaguchi	.....	D13/116
D. 305,880	2/1990	Ito et al.	.....	D13/116
D. 309,597	7/1990	Higuchi et al.	.....	D13/116
D. 335,862	5/1993	Kusunoki et al.	.....	D13/116
4,595,841	6/1986	Yaguchi	.....	290/1 A

Primary Examiner—Joel Sincavage  
Attorney, Agent, or Firm—Blank Rome Comisky & McCauley LLP

[57] **CLAIM**

The ornamental design for a power generator, as shown and described.

**DESCRIPTION**

FIG. 1 is a front elevational view of a power generator showing my new design;  
 FIG. 2 is a rear elevational view of the power generator shown in FIG. 1;  
 FIG. 3 is a left side elevational view of the power generator shown in FIG. 1;  
 FIG. 4 is a right side elevational view of the power generator shown in FIG. 1;  
 FIG. 5 is a top plan view of the power generator shown in FIG. 1;  
 FIG. 6 is a bottom plan view of the power generator shown in FIG. 1;  
 FIG. 7 is a front perspective view of the power generator shown in FIG. 1;  
 FIG. 8 is another front perspective view of the power generator shown in FIG. 1;  
 FIG. 9 is a rear perspective view of the power generator shown in FIG. 1;  
 FIG. 10 is a front elevational view of another embodiment of the power generator showing my new design;  
 FIG. 11 is a rear elevational view of the power generator of FIG. 10;  
 FIG. 12 is a left side elevational view of the power generator of FIG. 10;  
 FIG. 13 is a right side elevational view of the power generator of FIG. 10;  
 FIG. 14 is a top plan view of the power generator of FIG. 10;  
 FIG. 15 is a bottom plan view of the power generator of FIG. 10;  
 FIG. 16 is a front perspective view of the power generator of FIG. 10;  
 FIG. 17 is another front perspective view of the power generator of FIG. 10; and,  
 FIG. 18 is a rear perspective view of the power generator of FIG. 10.

The broken line showing in FIGS. 10–14 and 16–18 show features of the generator which form no part of the design embodied in FIG. 10.

**1 Claim, 12 Drawing Sheets**

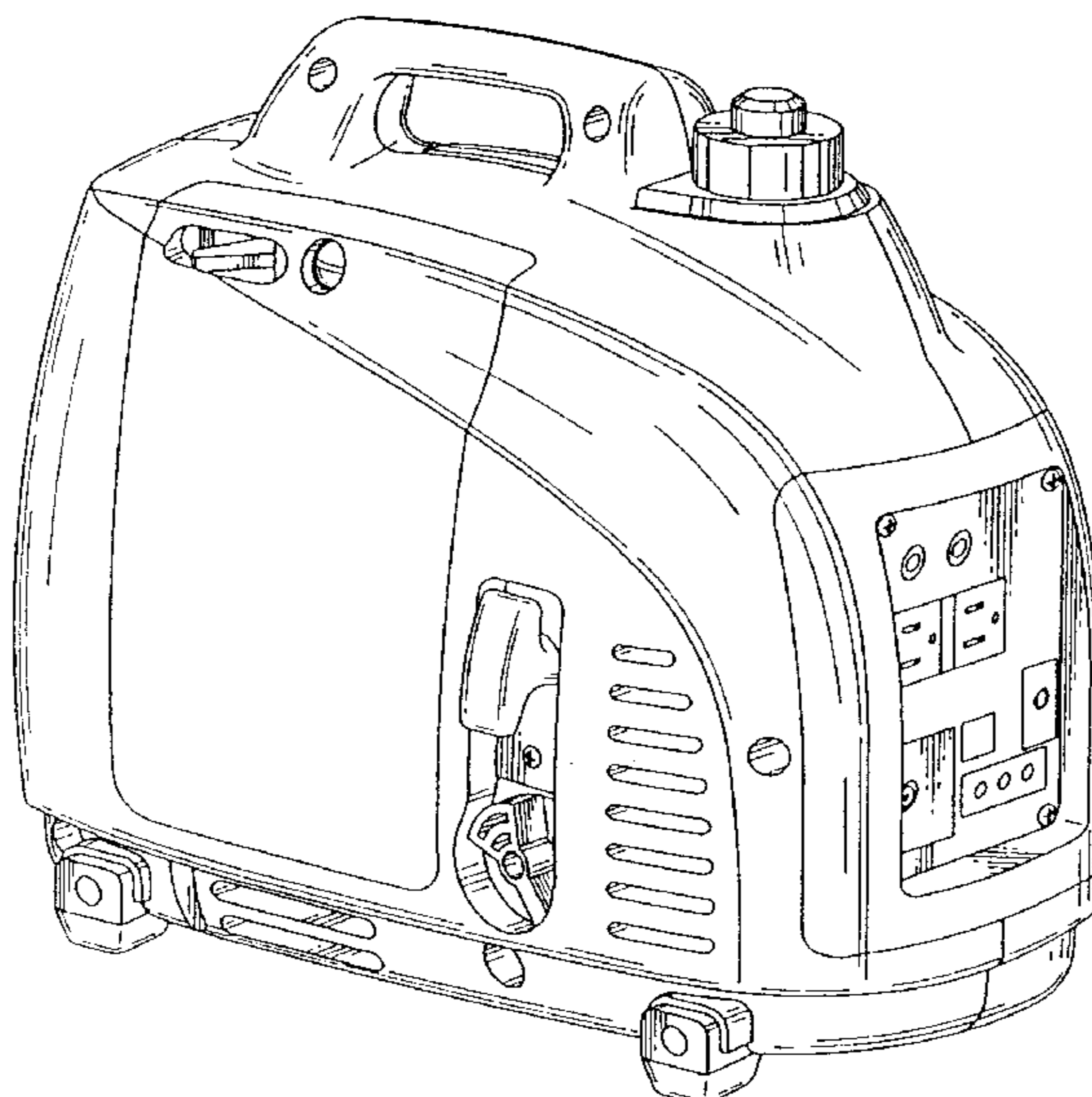


FIG. 1

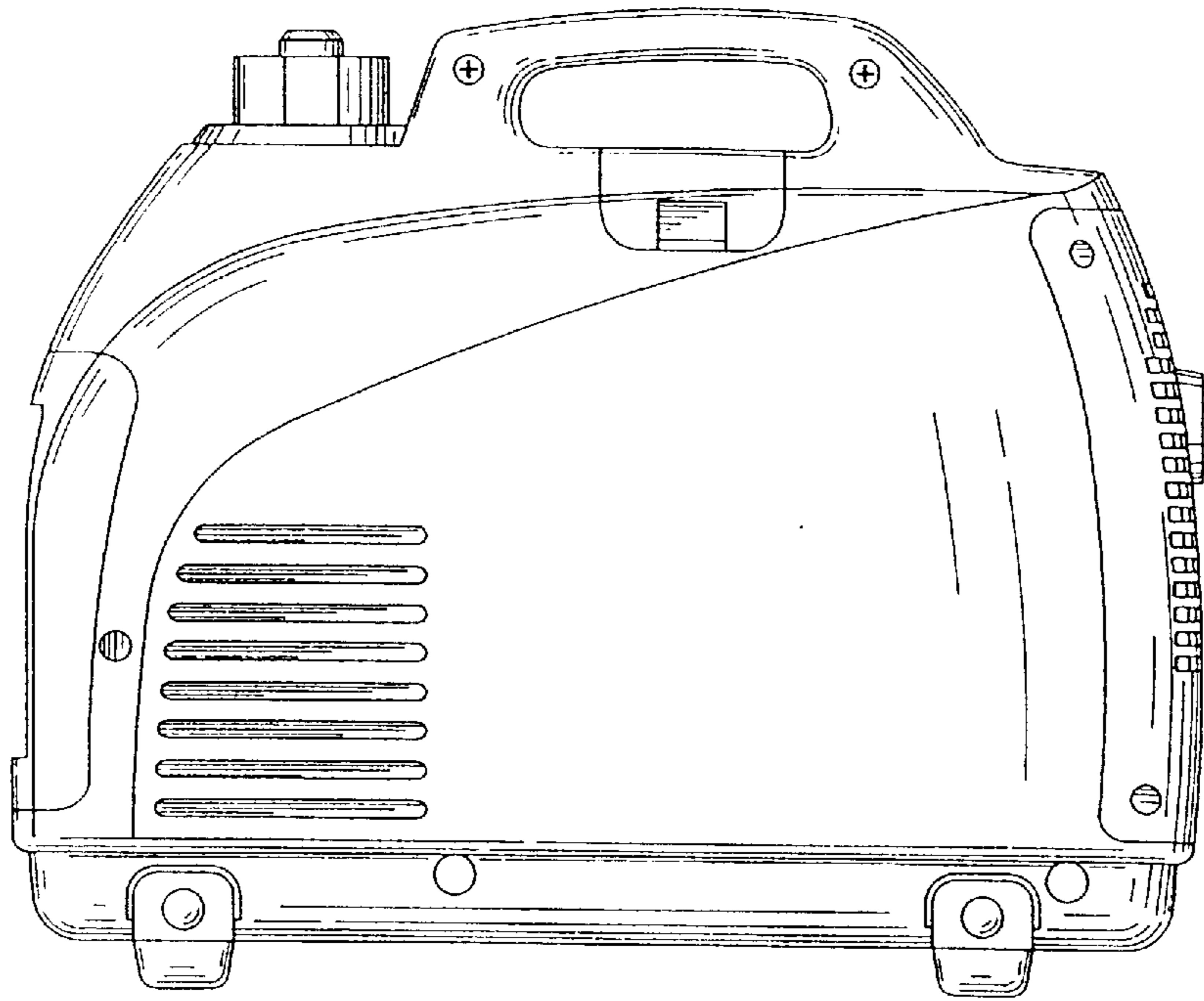


FIG. 2

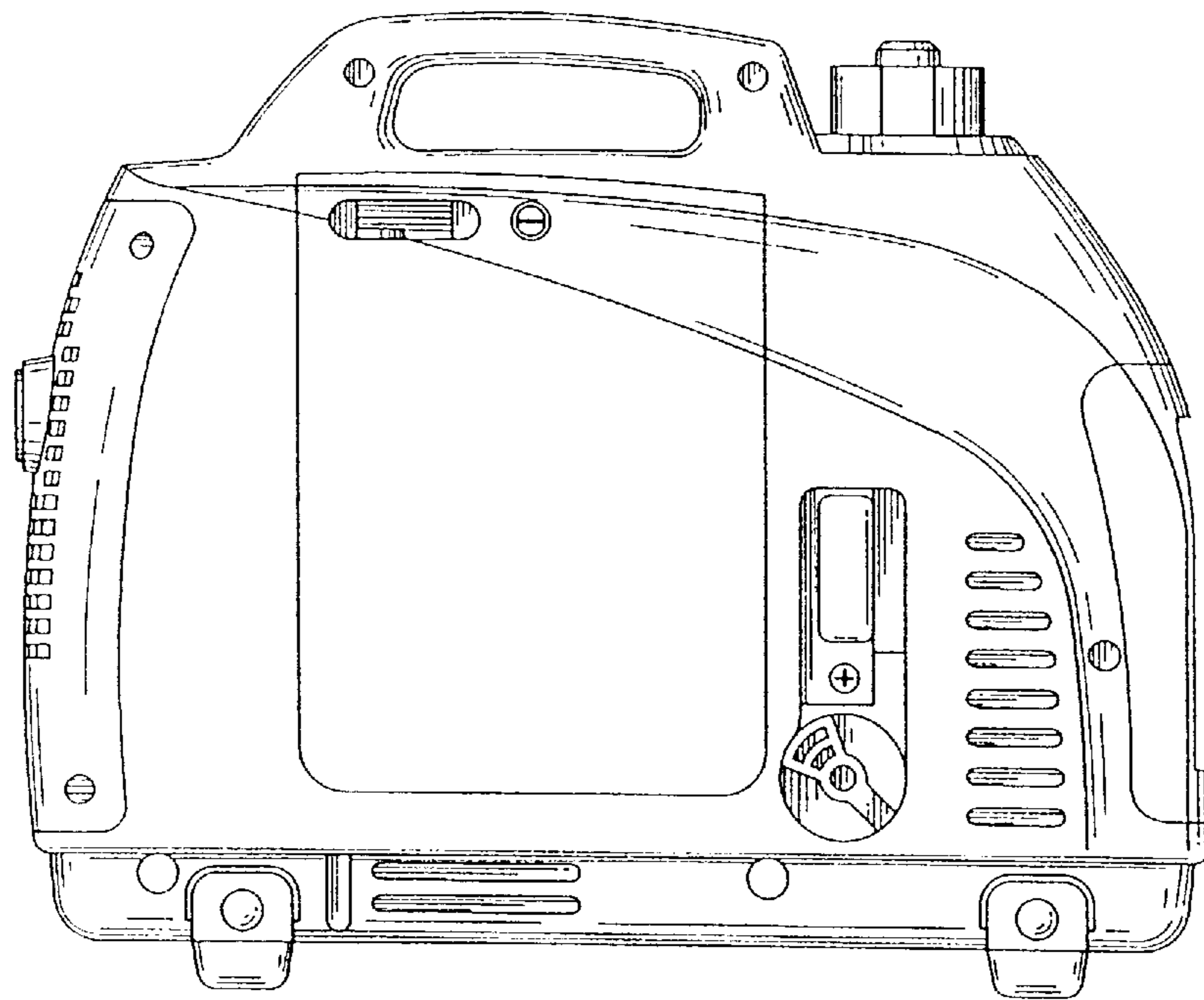


FIG. 3

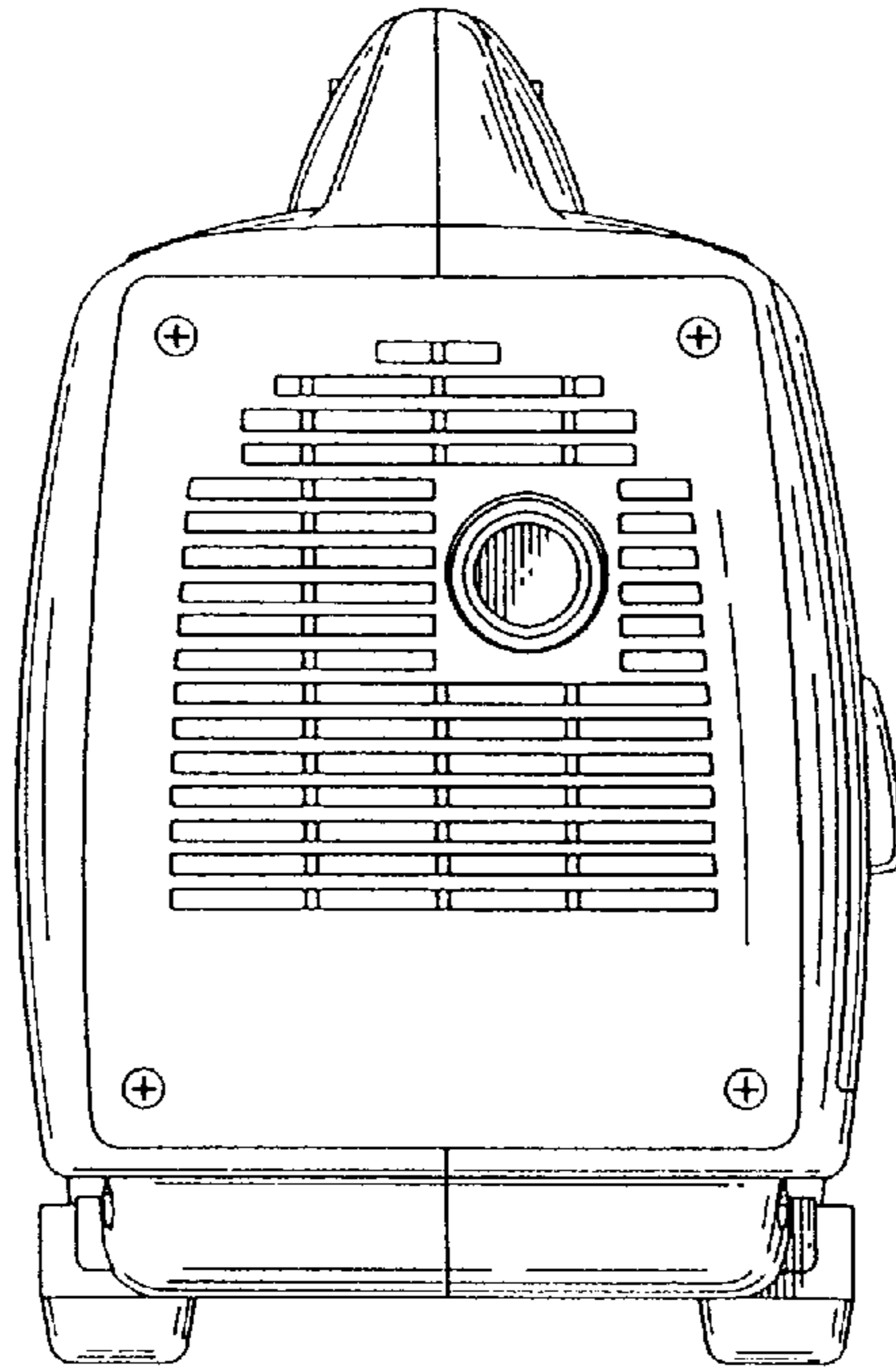


FIG. 4

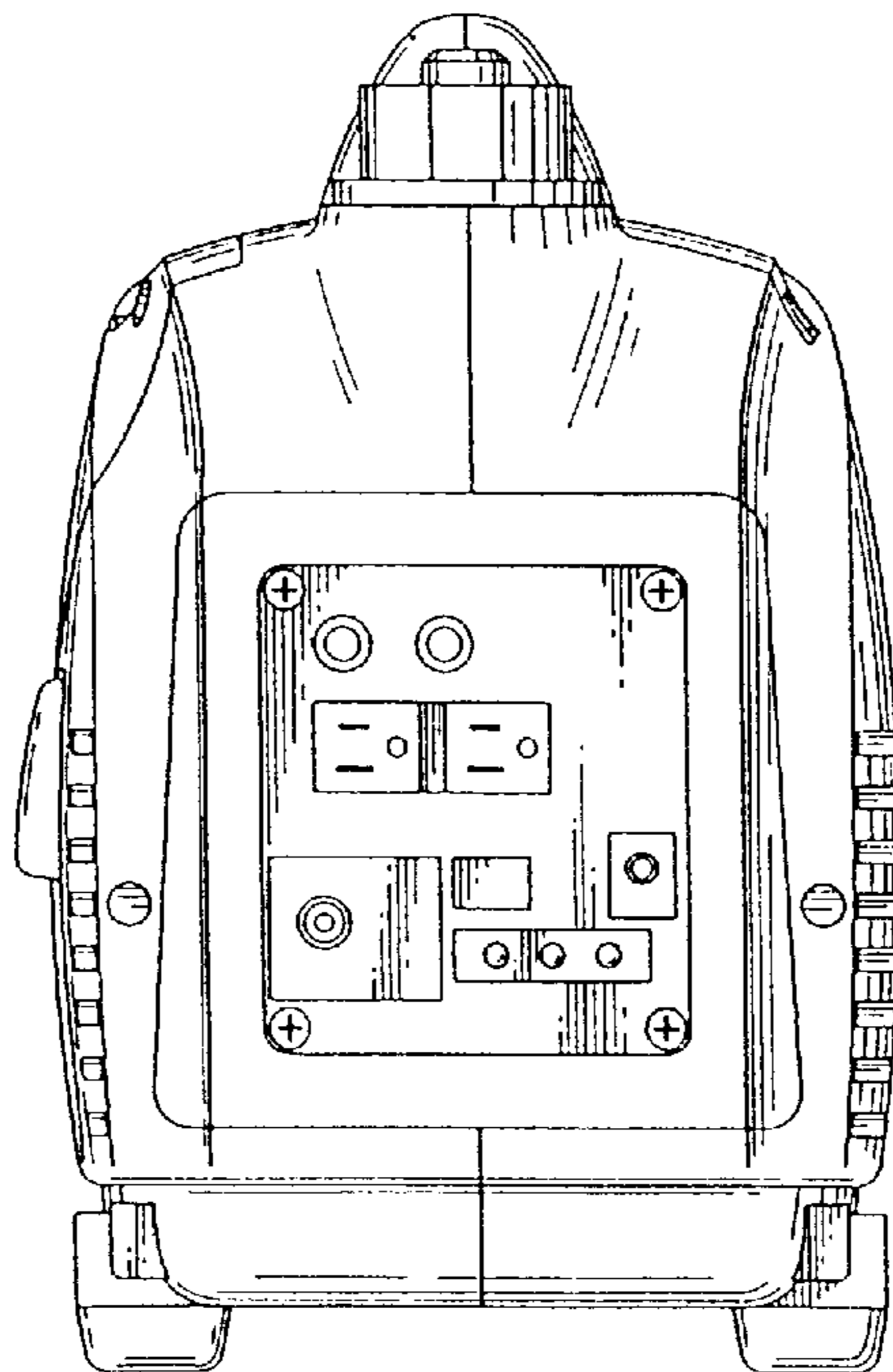


FIG. 5

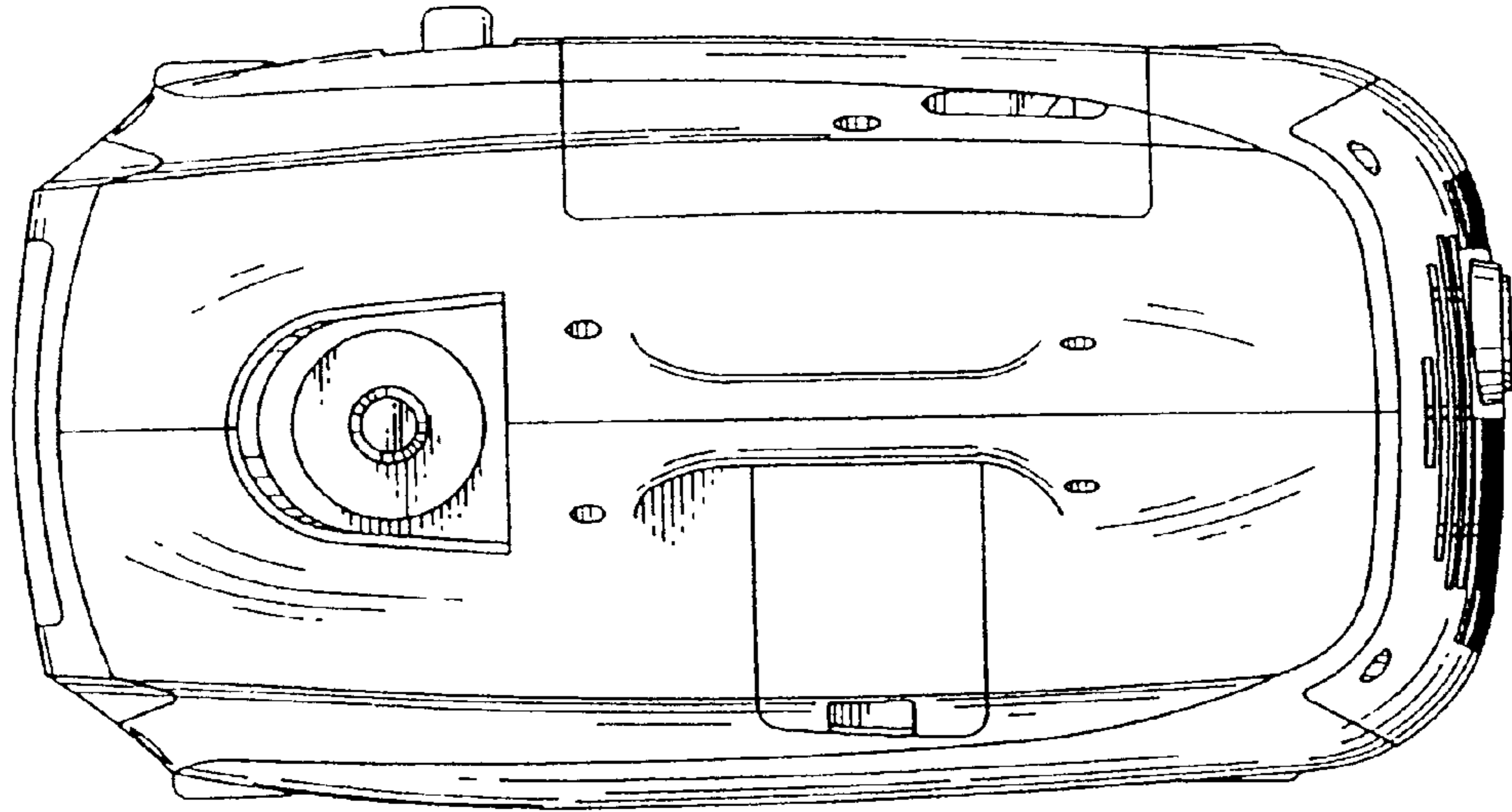


FIG. 6

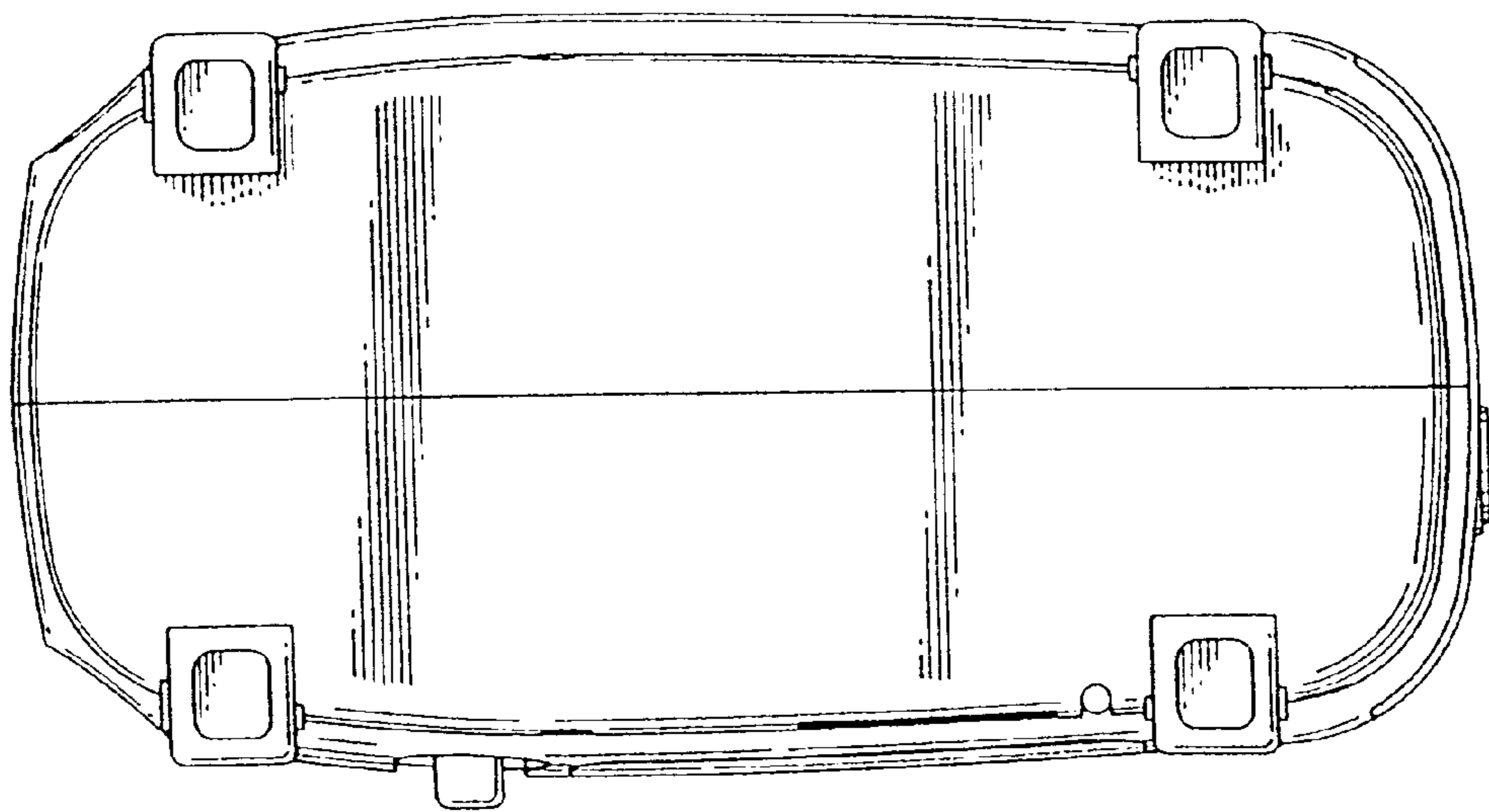




FIG. 7

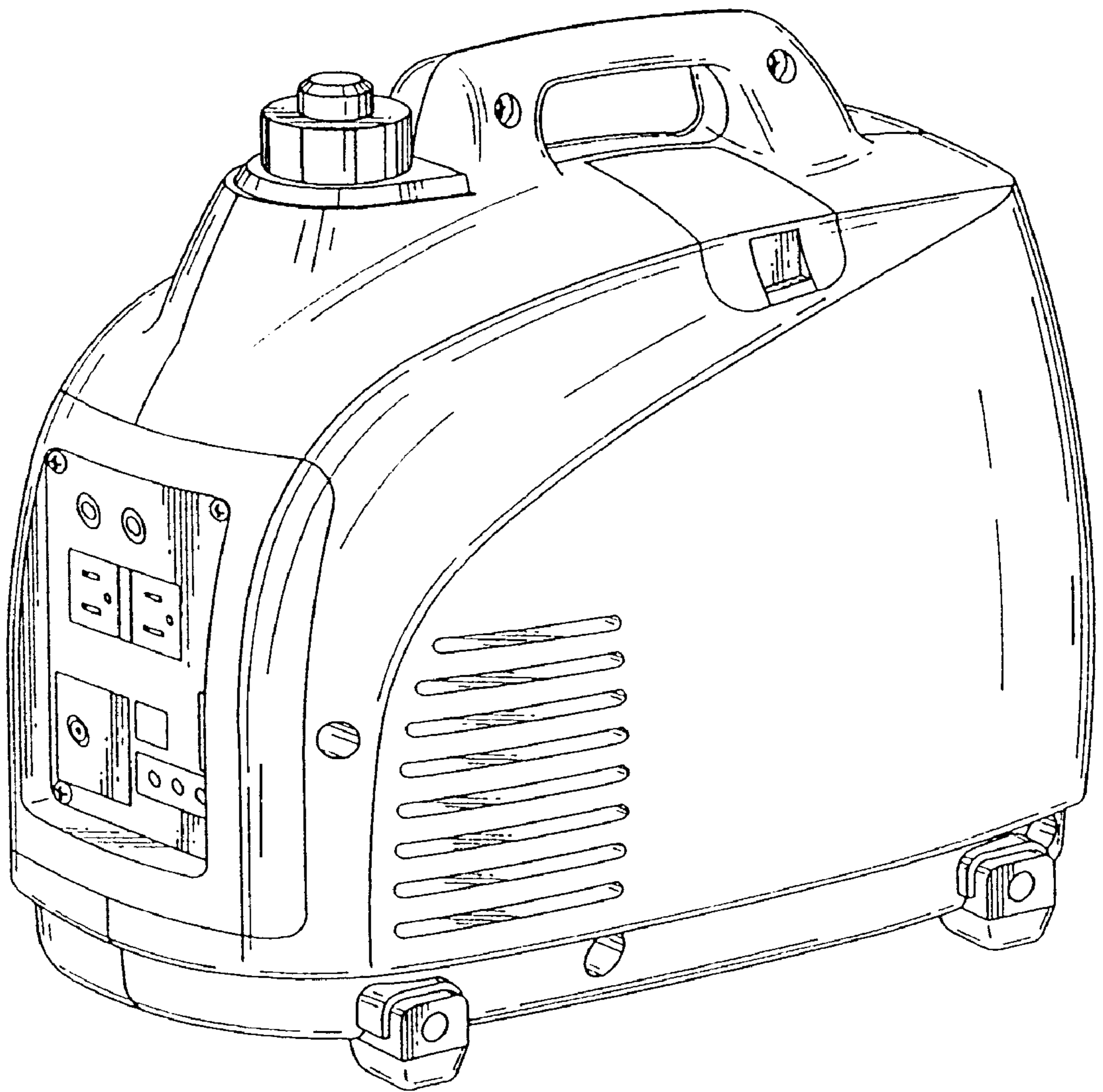


FIG. 8

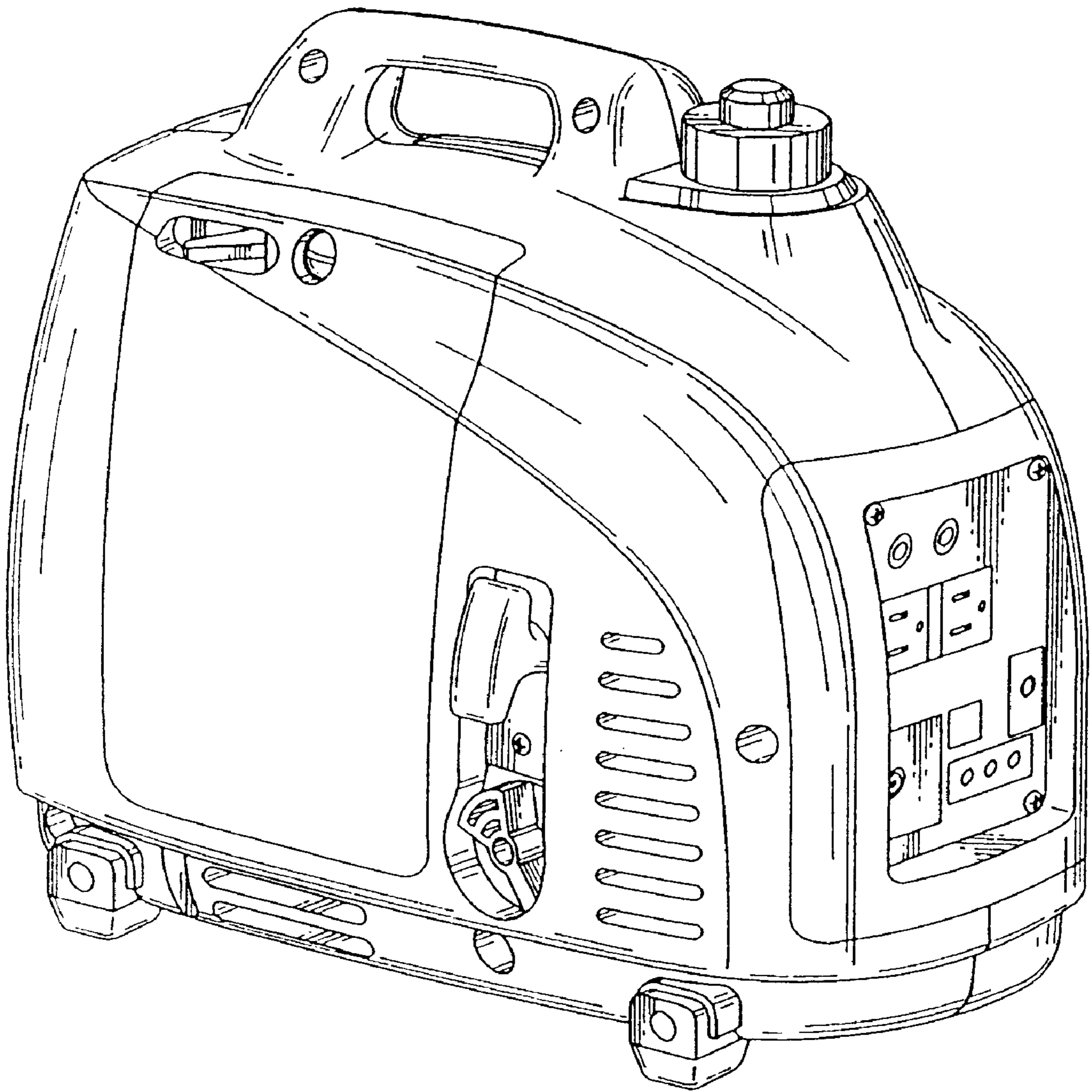


FIG. 9

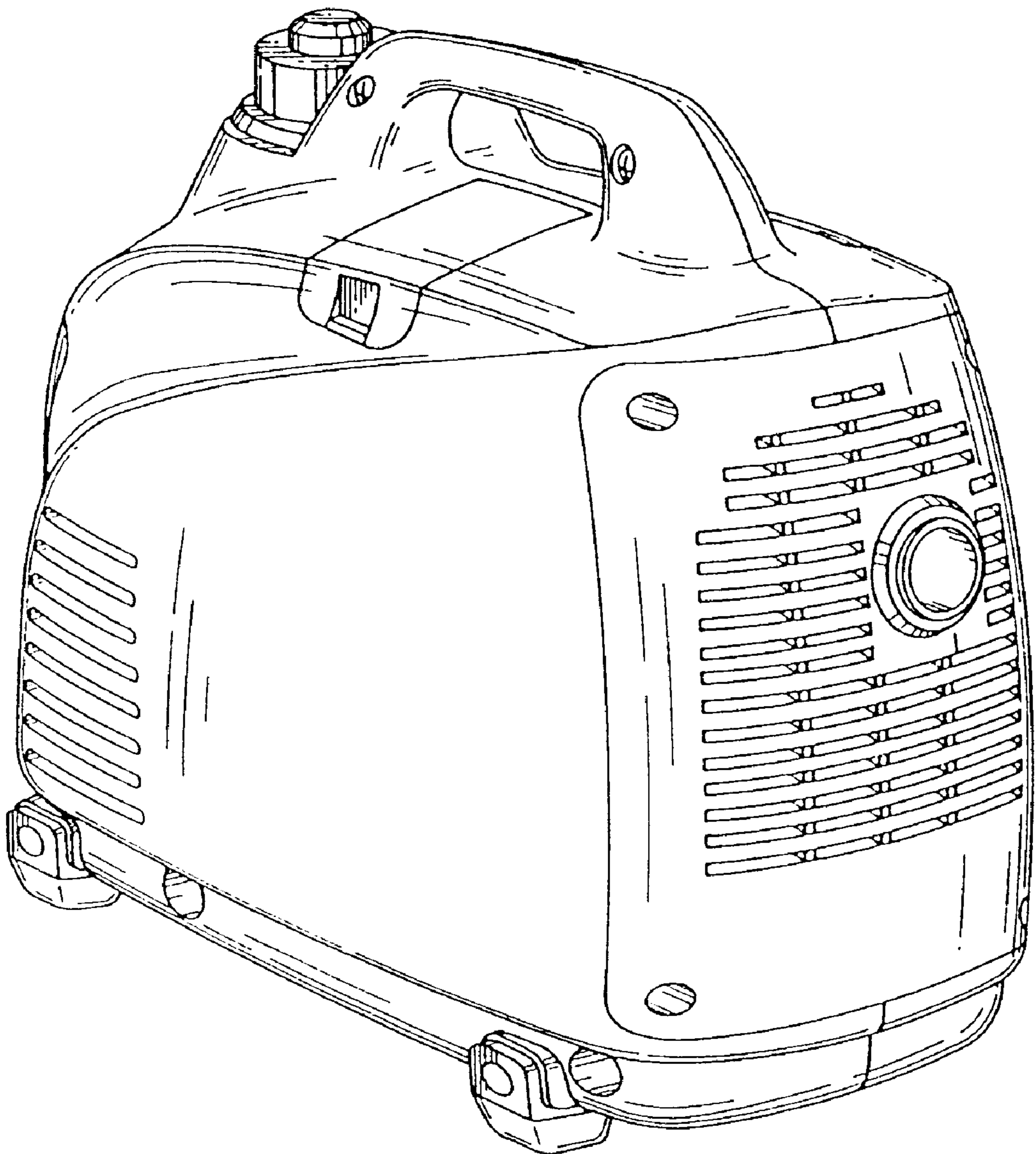


FIG. 10

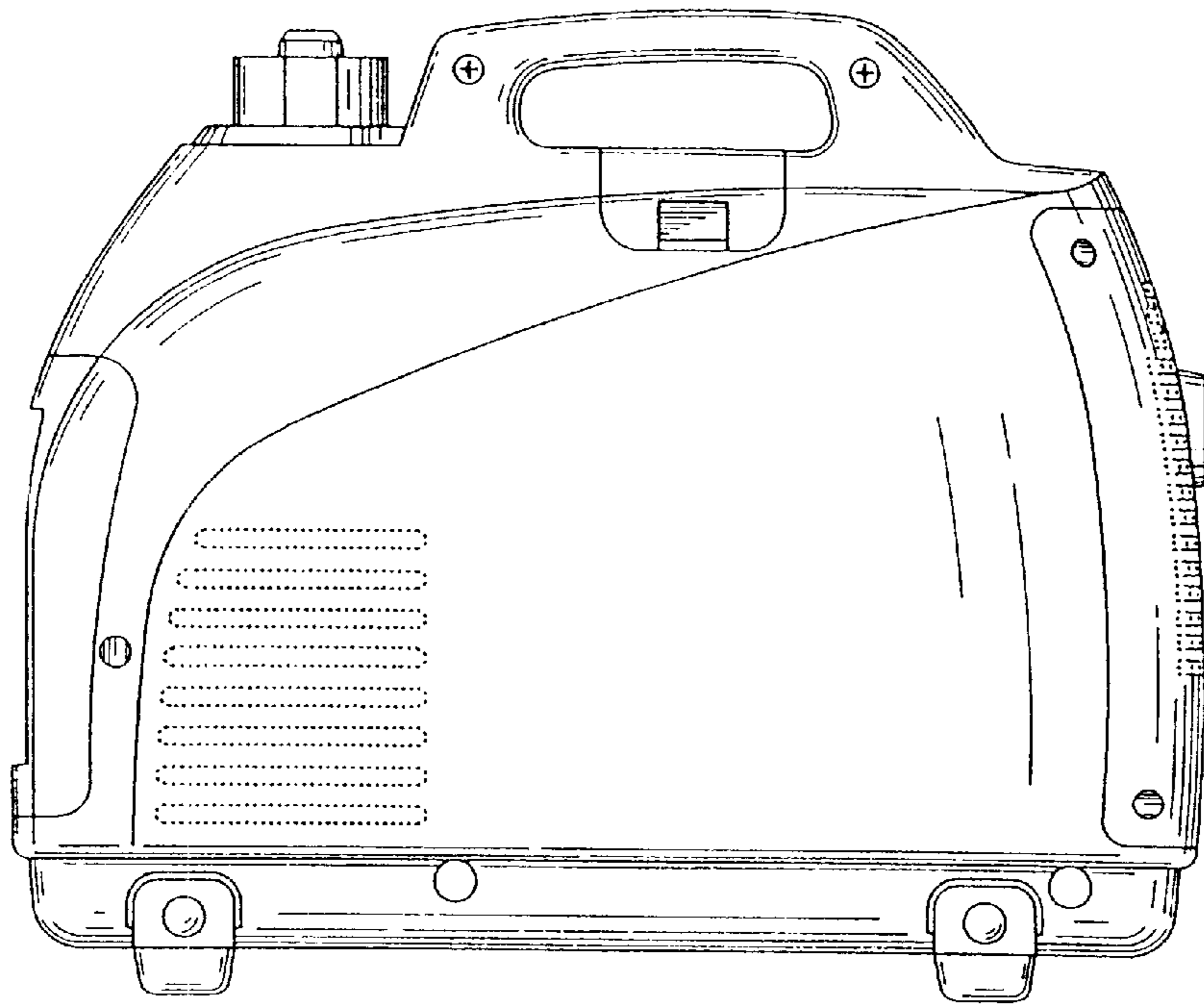


FIG. 11

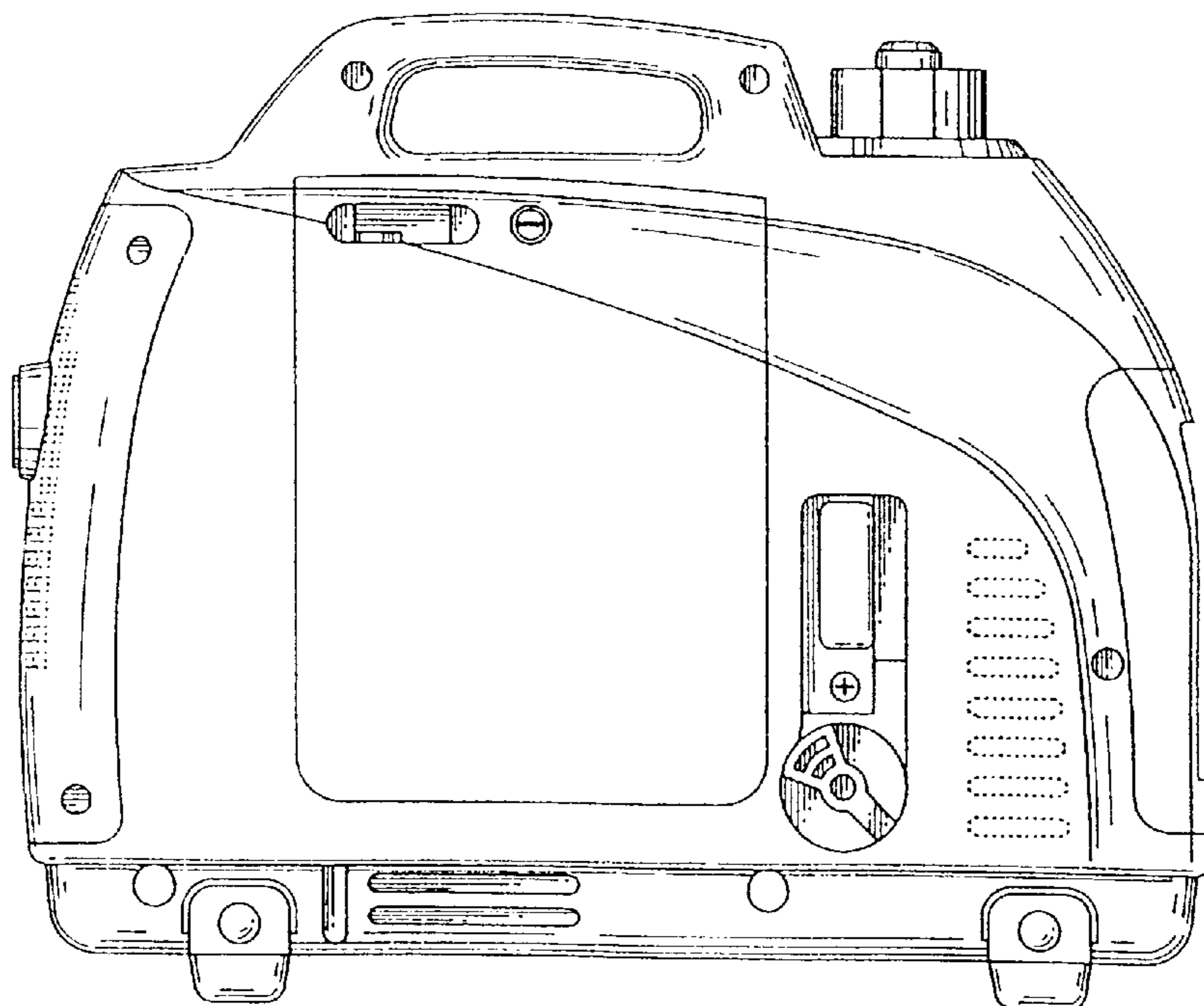




FIG. 12

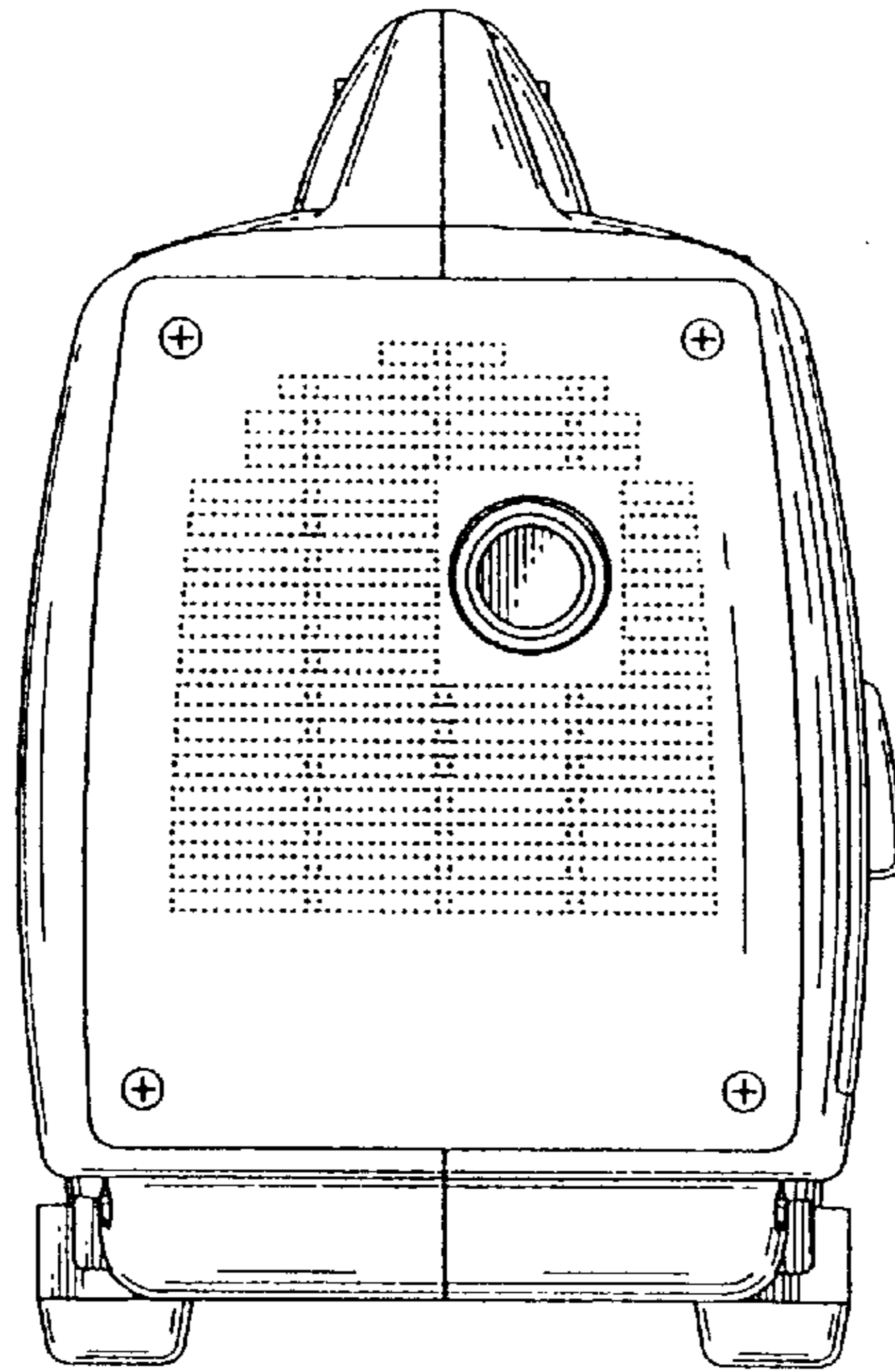


FIG. 13

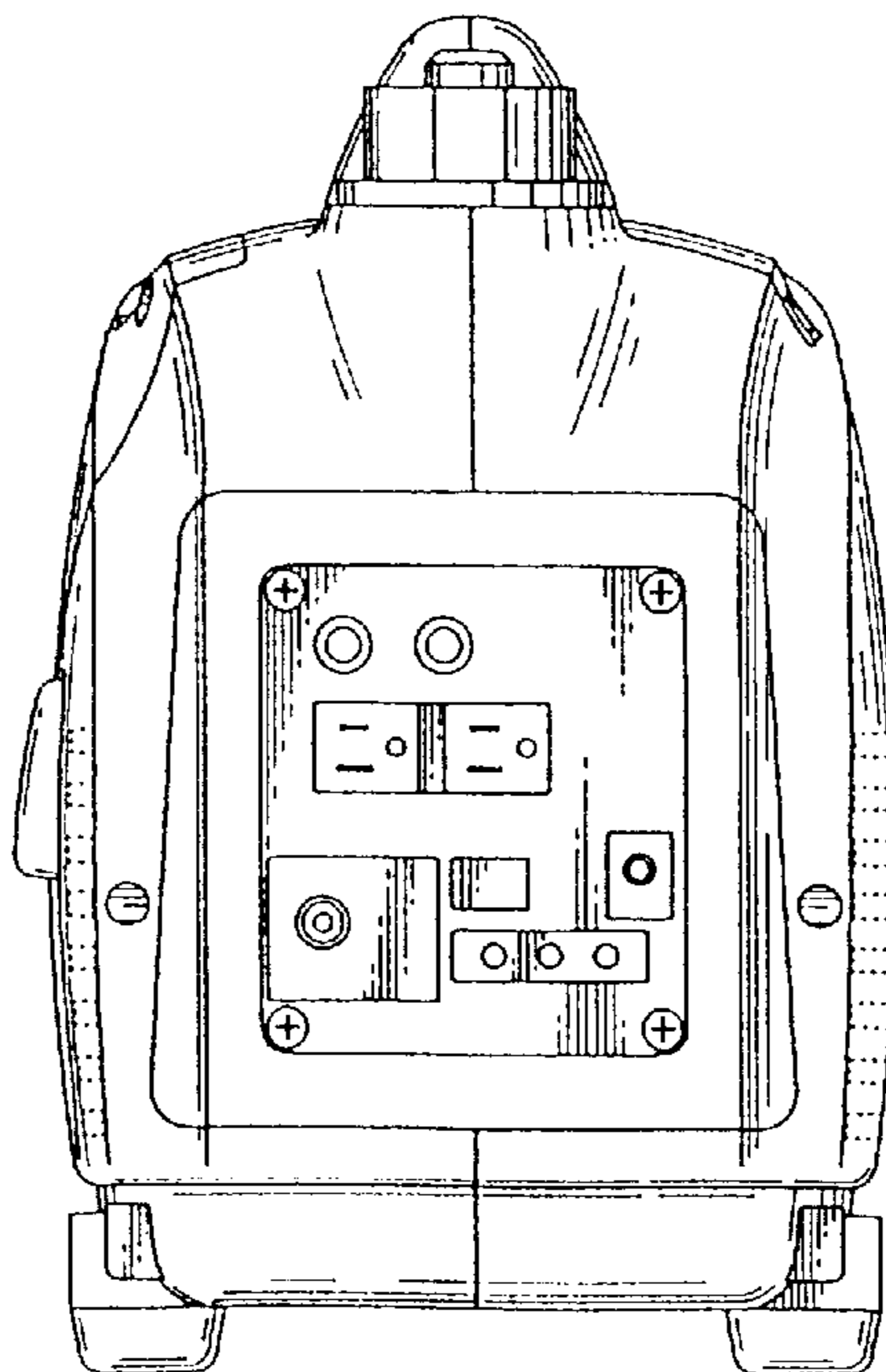


FIG. 14

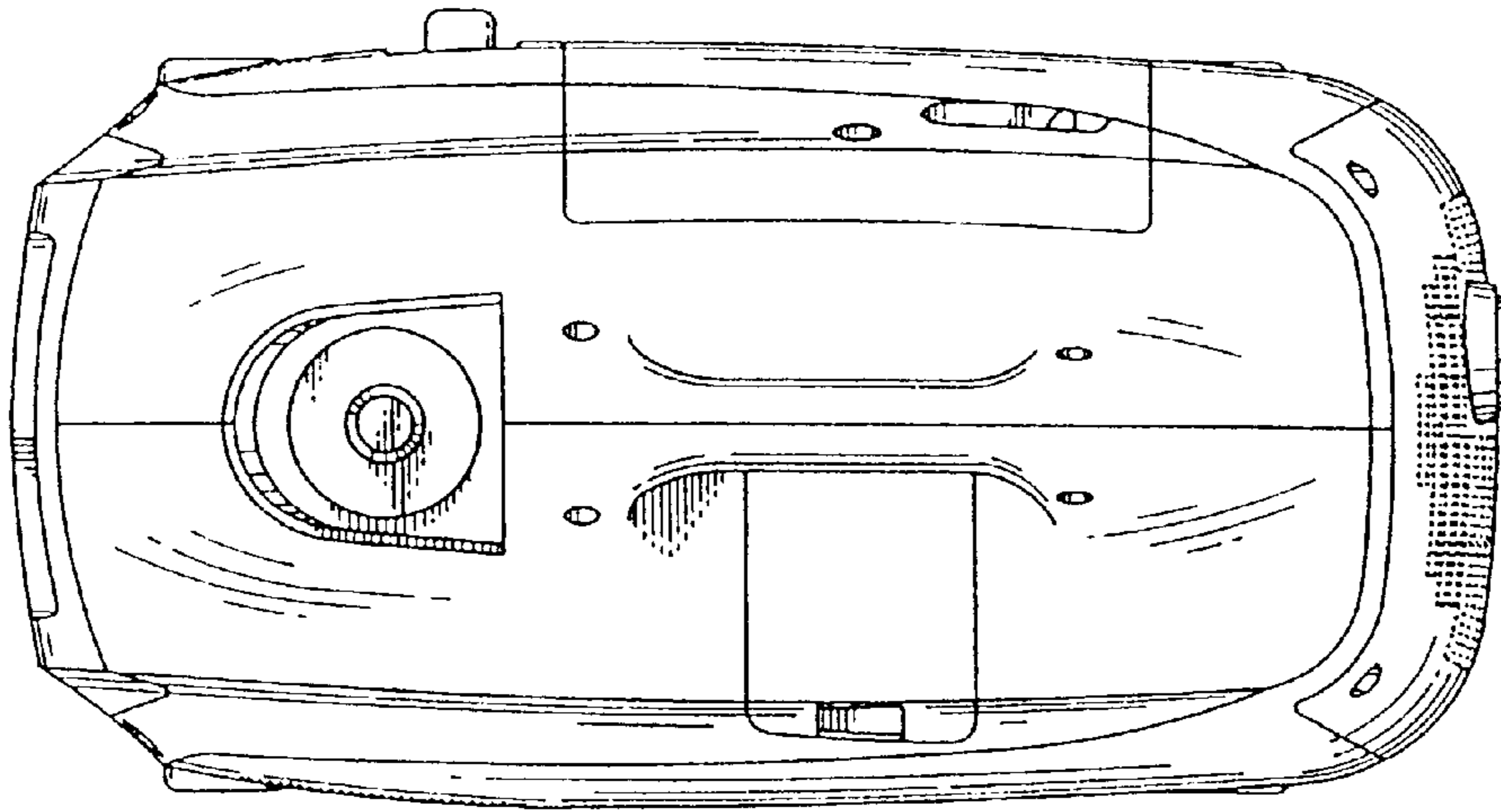


FIG. 15

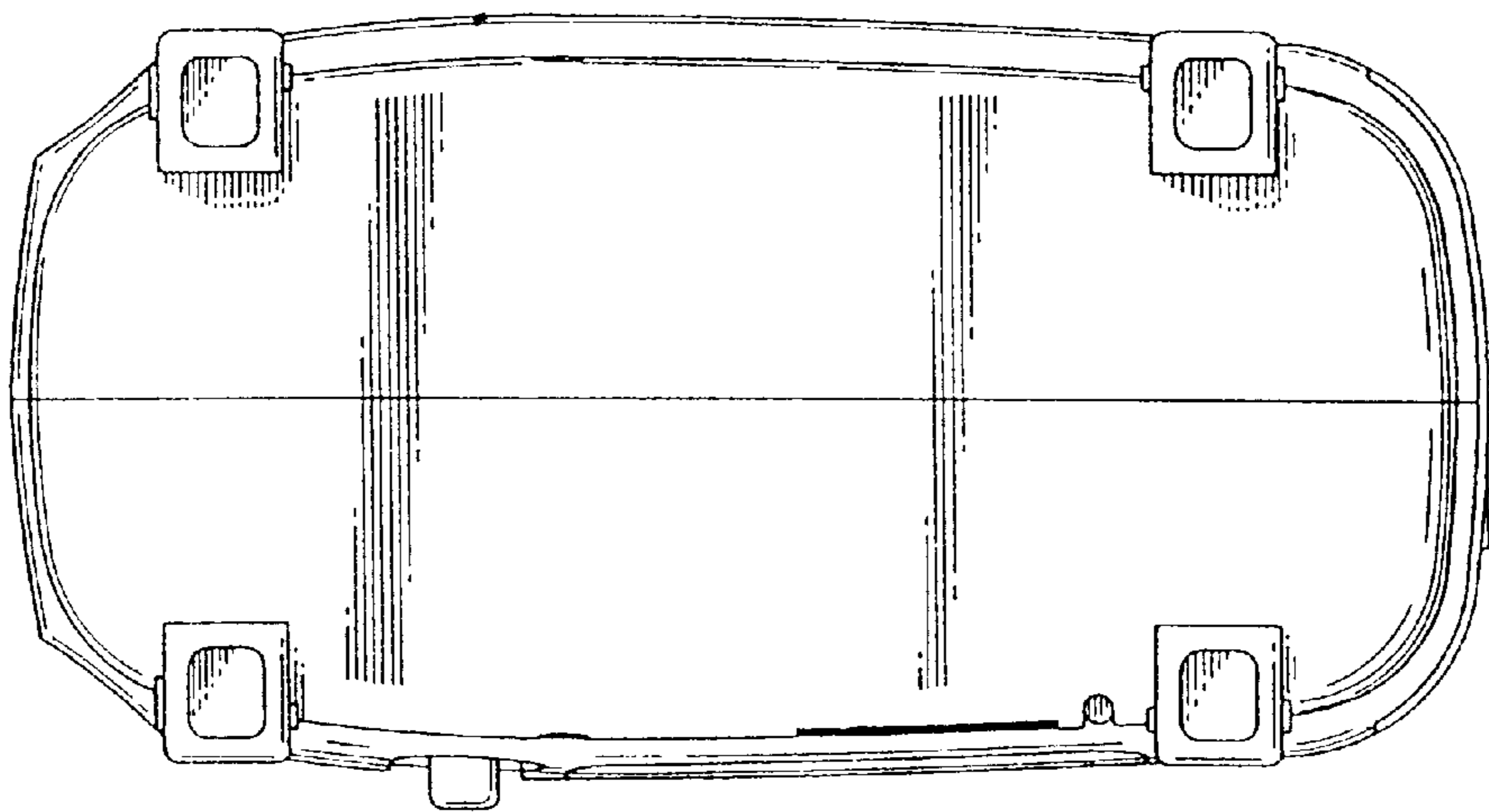


FIG. 16

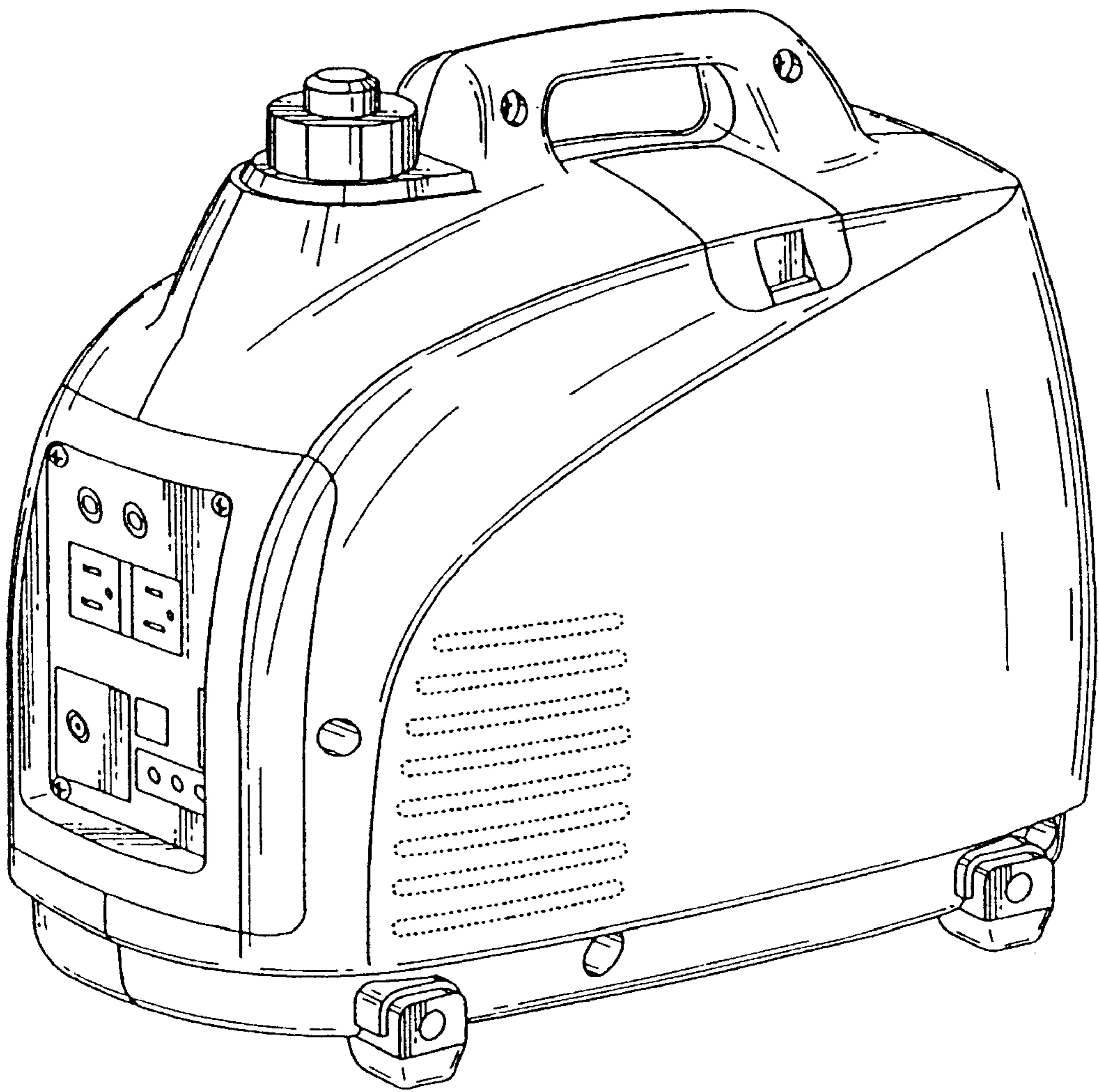


FIG. 17

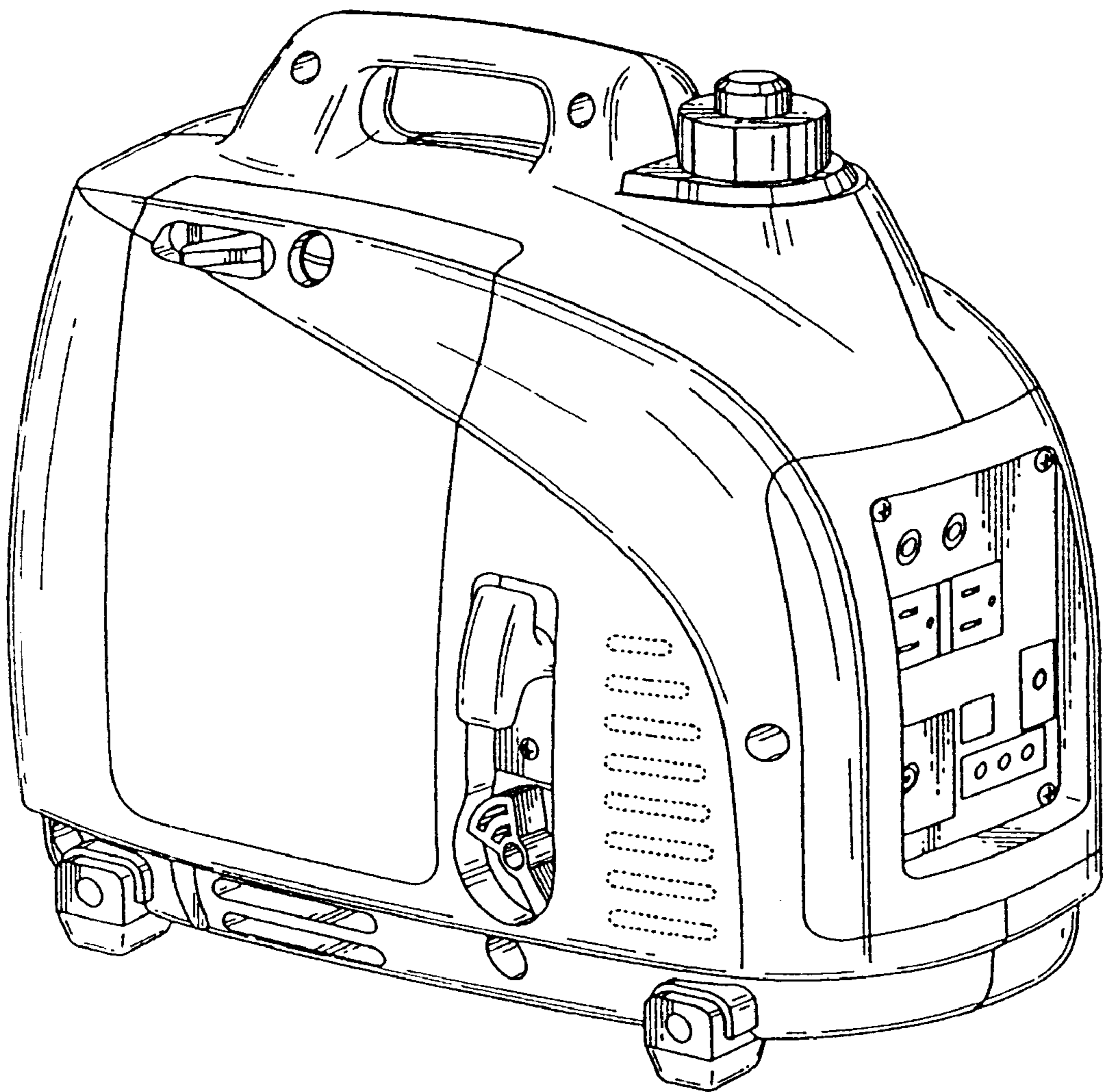




FIG. 18

