



US00D417650S

**United States Patent** [19]  
**Maiorano**

[11] **Patent Number: Des. 417,650**

[45] **Date of Patent: \*\* Dec. 14, 1999**

[54] **POWER SUPPLY SYSTEM**

4,331,883 5/1982 Vitaloni ..... 307/150  
5,642,260 6/1997 Sigl ..... 361/695  
5,757,638 5/1998 Katooka et al. .... 363/146

[75] Inventor: **Thomas Maiorano**, Pleasantville, N.Y.

[73] Assignee: **Alternate Energy Concepts, Inc.**,  
Brewster, N.Y.

*Primary Examiner*—Joel Sincavage  
*Attorney, Agent, or Firm*—Cooper & Dunham LLP

[\*\*] Term: **14 Years**

[57] **CLAIM**

[21] Appl. No.: **29/085,509**

I claim the ornamental design for a power supply system, as shown and described.

[22] Filed: **Mar. 25, 1998**

**DESCRIPTION**

[51] **LOC (6) Cl.** ..... **13-02**

[52] **U.S. Cl.** ..... **D13/110**

[58] **Field of Search** ..... D13/110, 184;  
361/695; 307/150, 66; 363/141, 132, 146

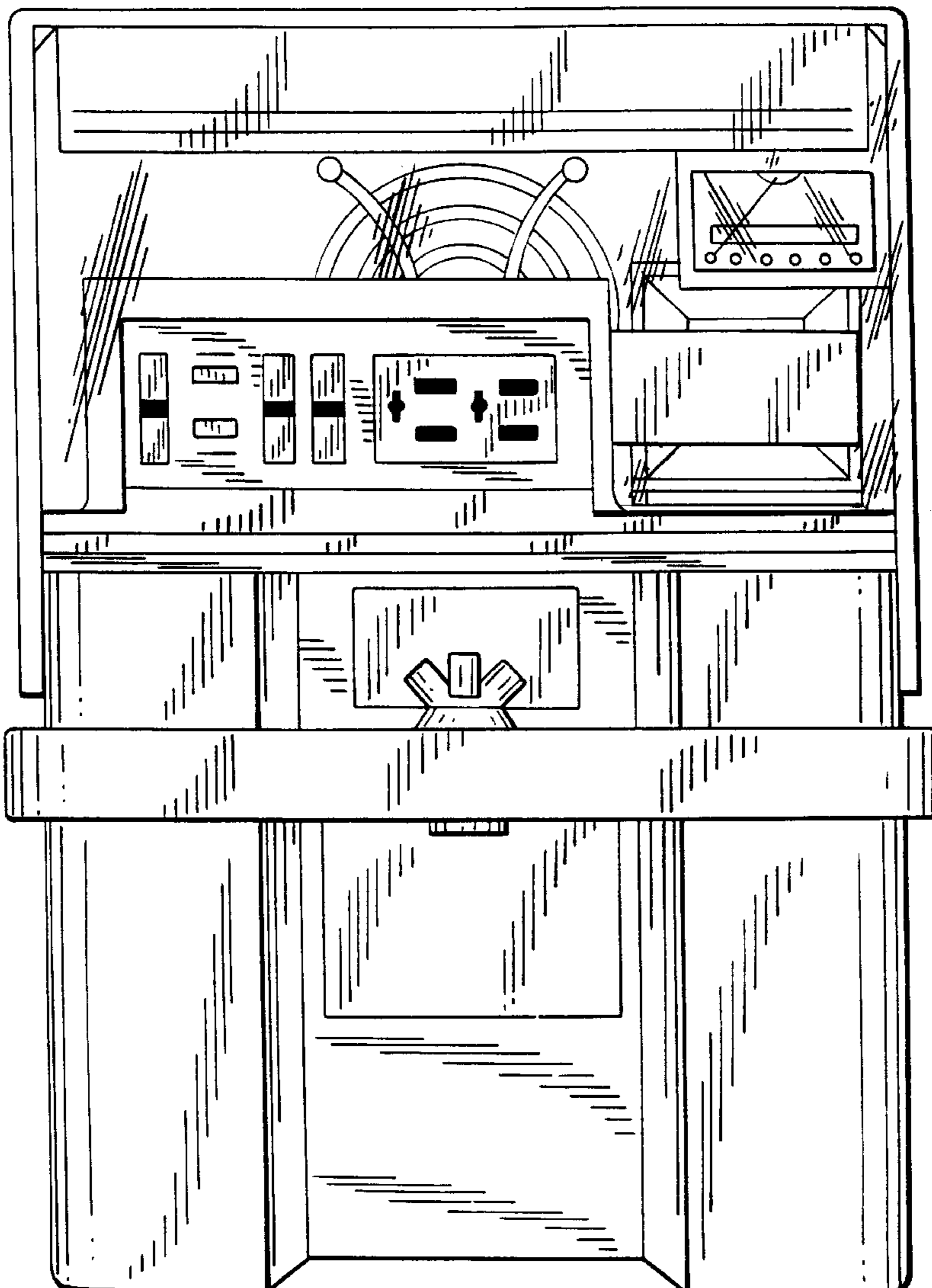
FIG. 1 is a front elevational view of a power supply system, showing my new design;  
FIG. 2 is a right side elevational view thereof;  
FIG. 3 is a left side elevational view thereof;  
FIG. 4 is a rear elevational view thereof;  
FIG. 5 is a top view thereof; and,  
FIG. 6 is a bottom view thereof.

[56] **References Cited**

**U.S. PATENT DOCUMENTS**

D. 280,318 8/1985 Barone ..... D13/110  
D. 311,899 11/1990 Lenzing et al. .... D13/110

**1 Claim, 6 Drawing Sheets**



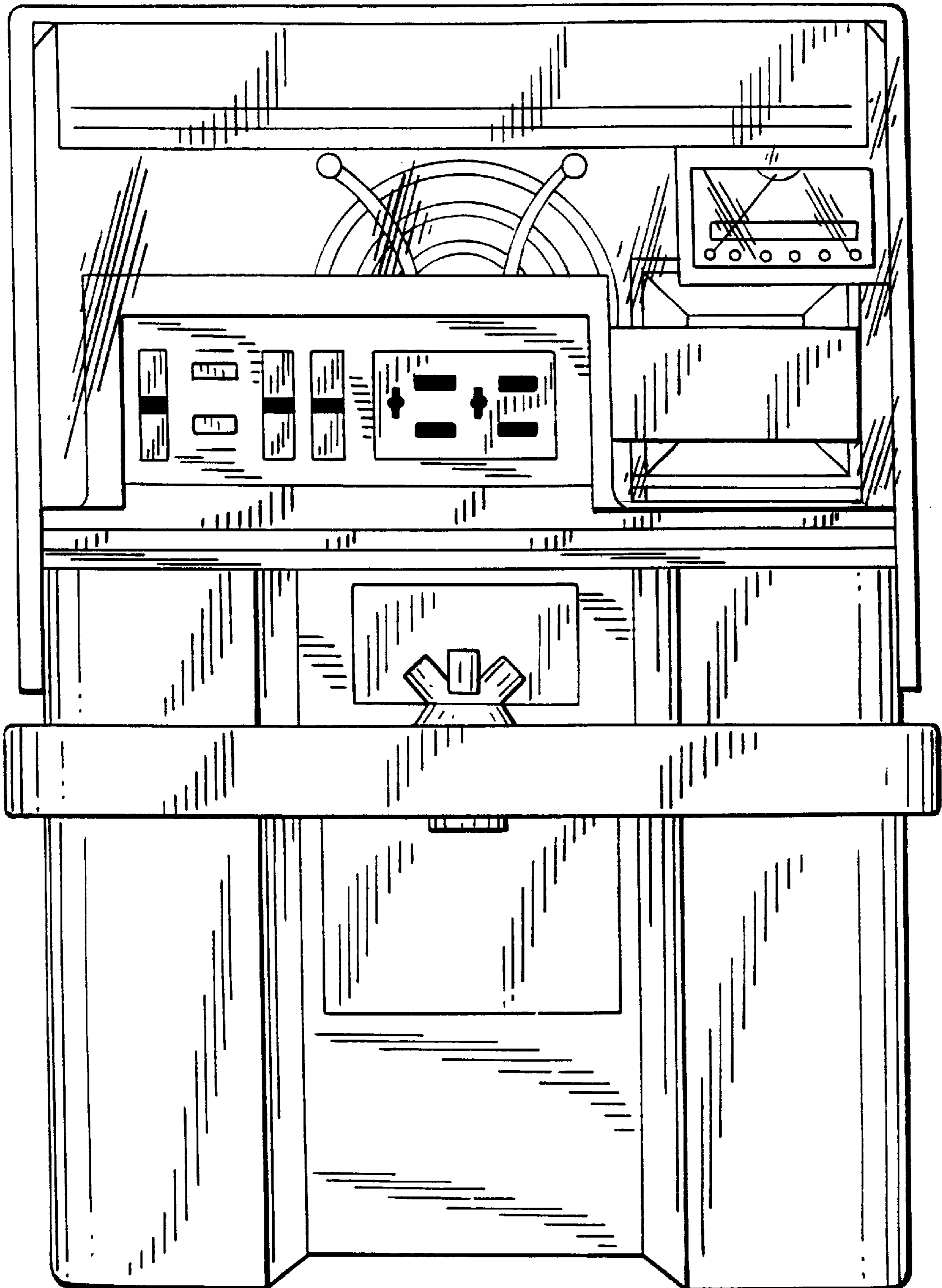


FIG. 1

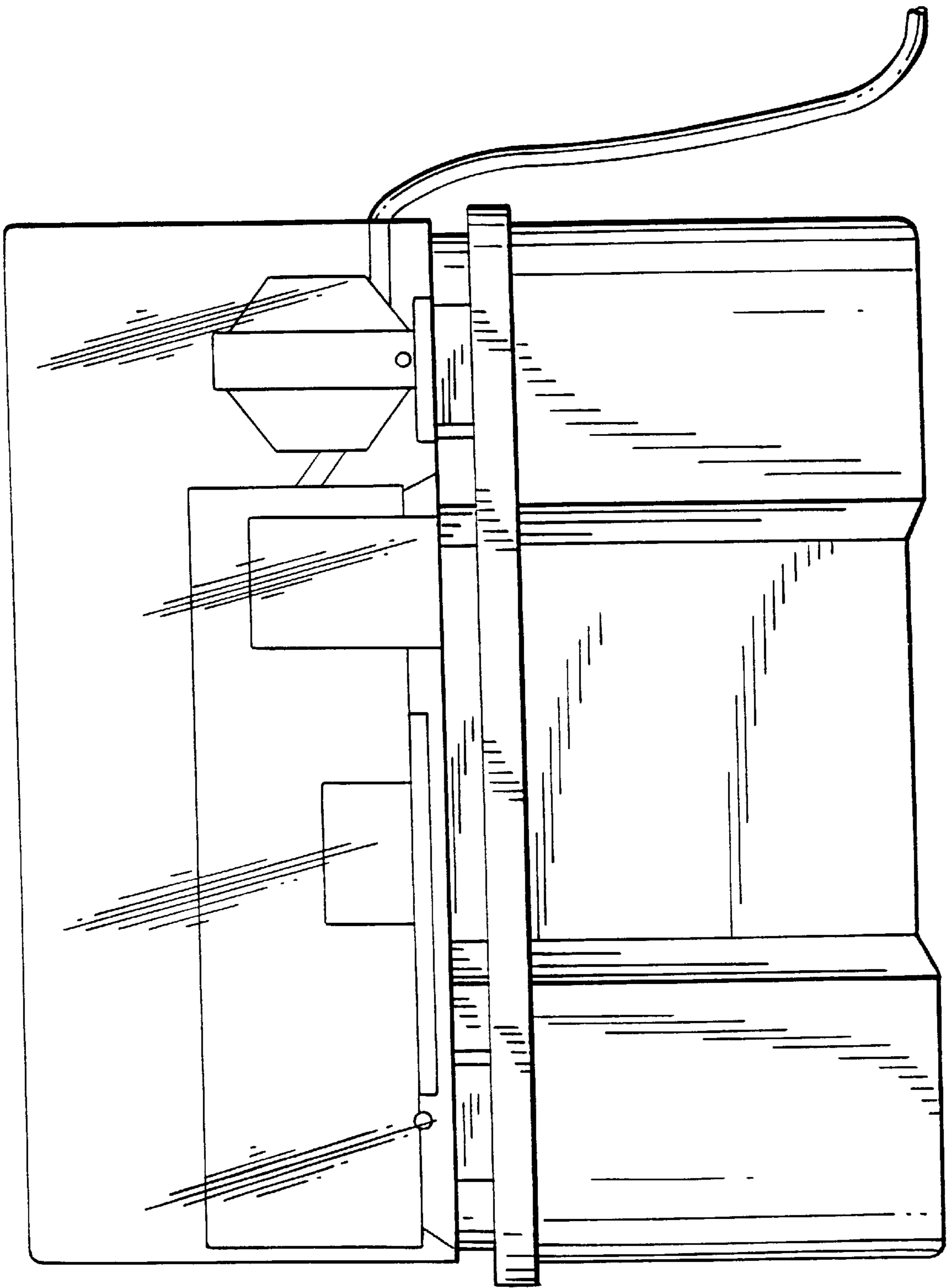


FIG. 2

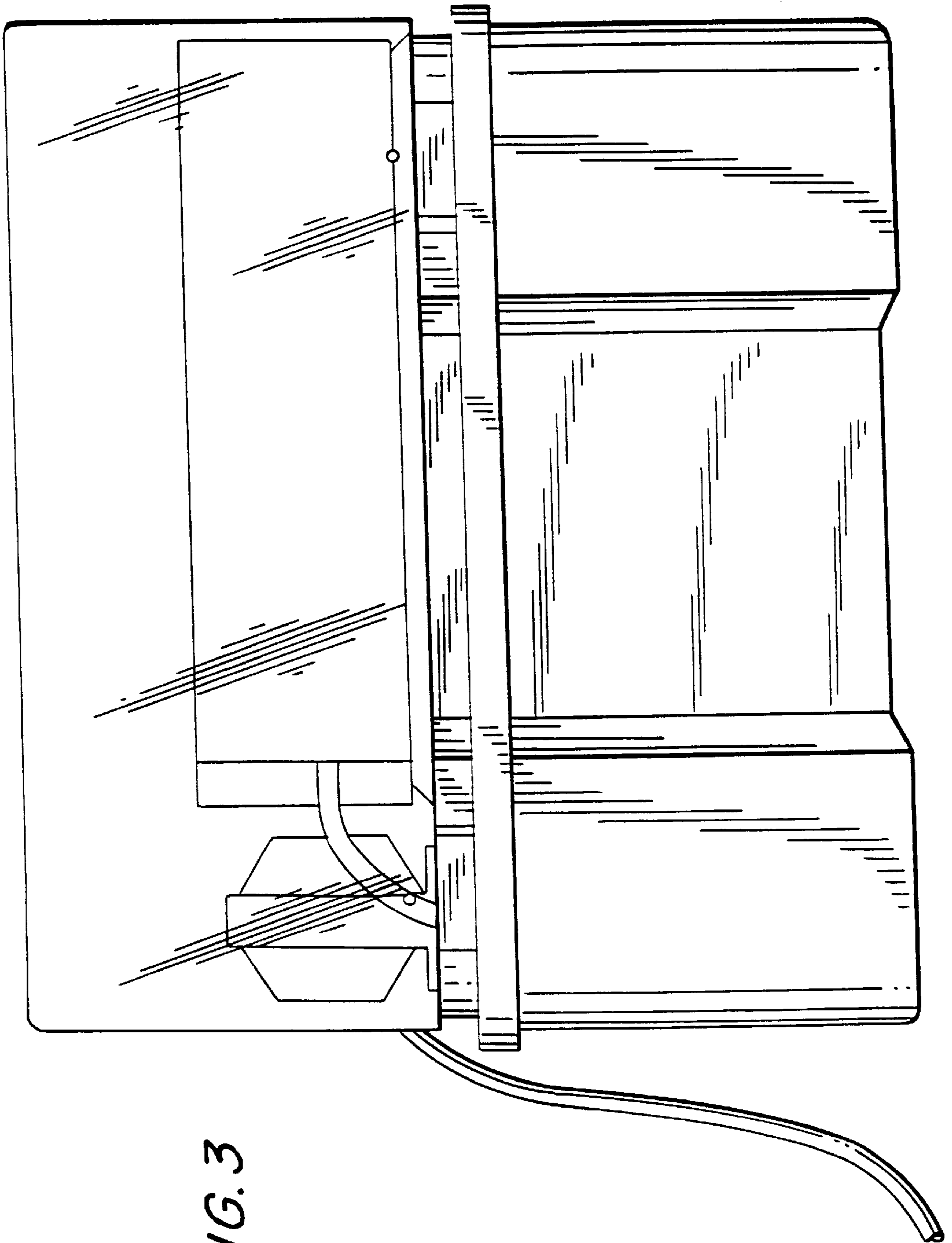


FIG. 3

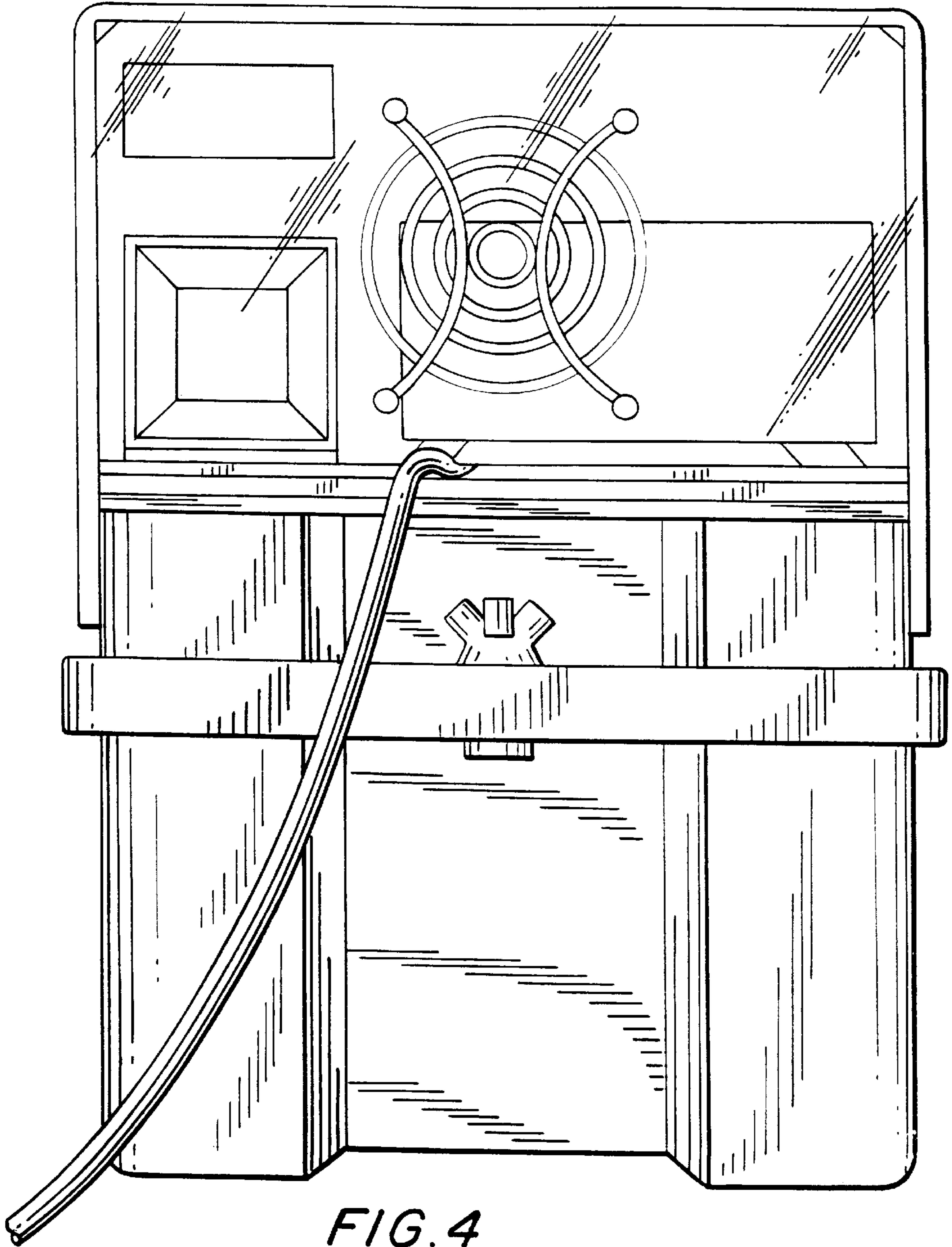


FIG. 4

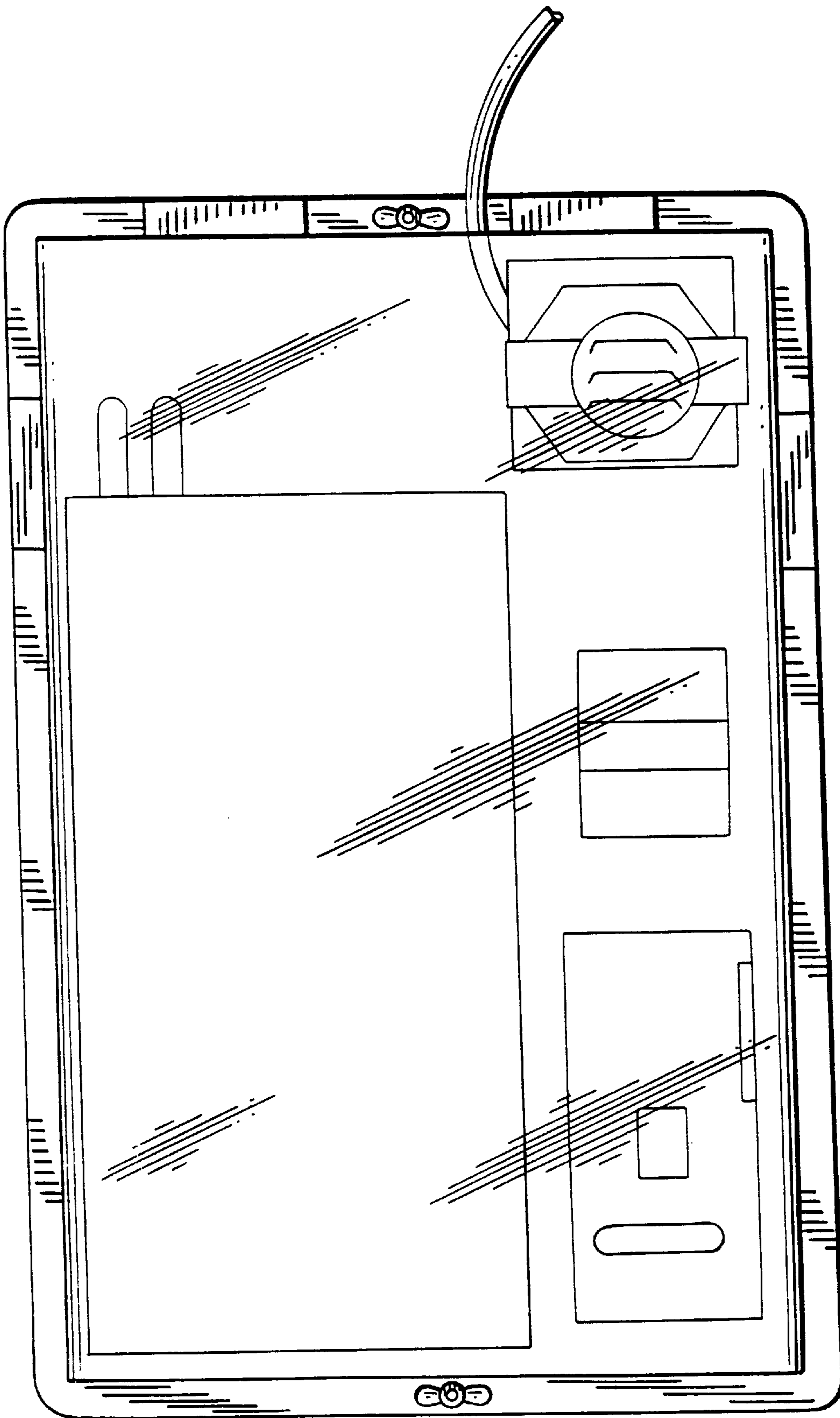


FIG. 5

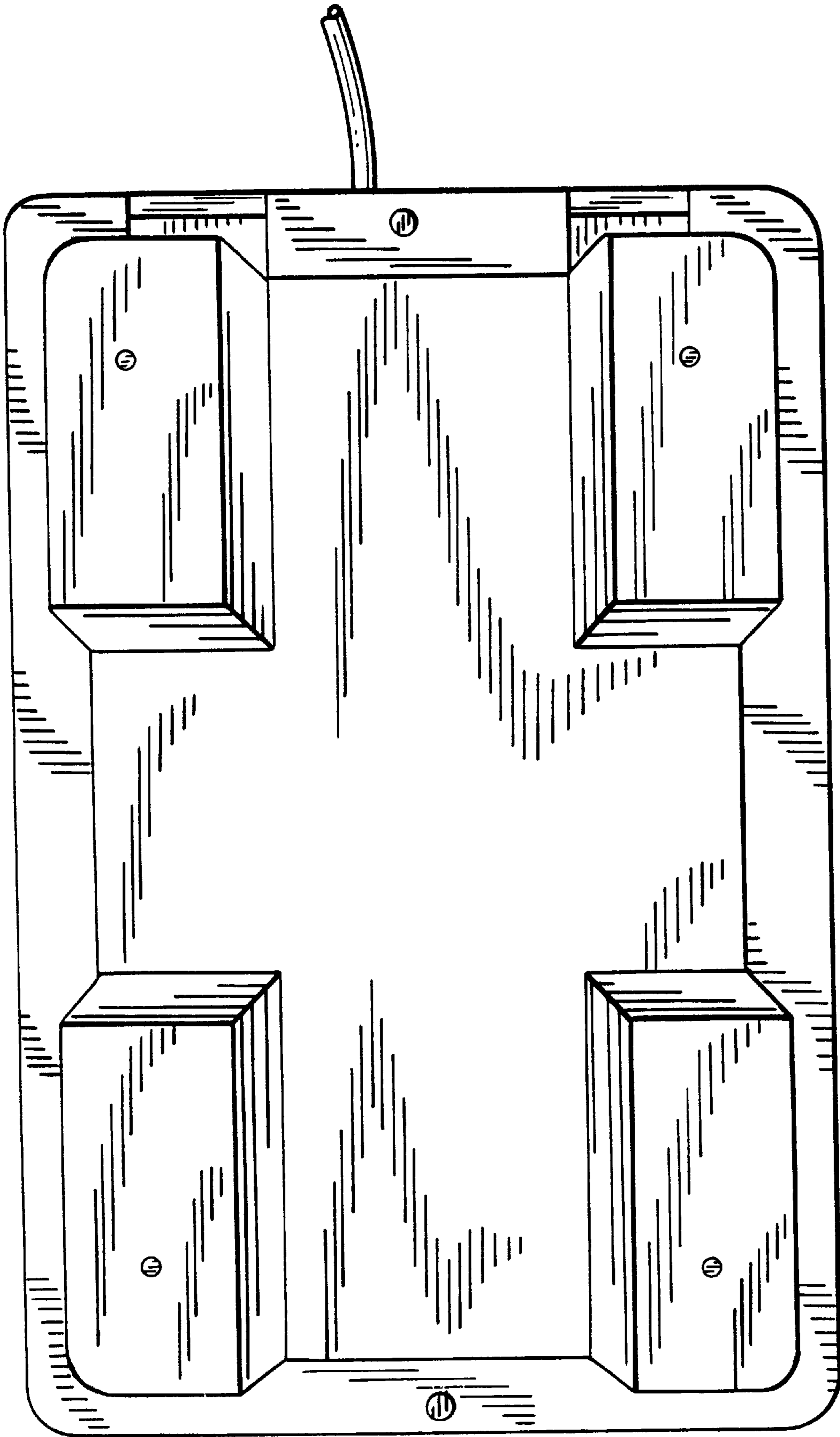


FIG. 6