



US00D417649S

United States Patent [19]
Higgins et al.

[11] **Patent Number: Des. 417,649**

[45] **Date of Patent: ** Dec. 14, 1999**

[54] **CHARGER STAND**

[75] Inventors: **Charles T. Higgins**, Richmond, Va.;
Shunichi Kuriyama, Sumoto, Japan;
Takahide Takeda, Hyogo, Japan;
Masato Sano, Sumoto, Japan;
Shigehito Uemura, Kyoto, Japan;
Kazuo Takada, Nara, Japan; **Tomonori Sakamoto**, Sumoto, Japan

[73] Assignee: **Phillip Morris Incorporated**, New York, N.Y.

[**] Term: **14 Years**

[21] Appl. No.: **29/070,600**

[22] Filed: **May 12, 1997**

[51] **LOC (6) Cl.** **13-02**

[52] **U.S. Cl.** **D13/107**

[58] **Field of Search** D13/107, 108;
D14/149, 251, 253; 320/110-115

[56] **References Cited**

U.S. PATENT DOCUMENTS

D. 271,391 11/1983 Scheid D13/107

D. 298,136 10/1988 Toth et al. D13/107
D. 328,277 7/1992 Leman et al. D13/108
D. 348,246 6/1994 Alfonso D13/107
5,233,281 8/1993 Chiang et al. 320/110

Primary Examiner—Joel Sincavage
Attorney, Agent, or Firm—Burns, Doane, Swecker & Mathis, L.L.P.

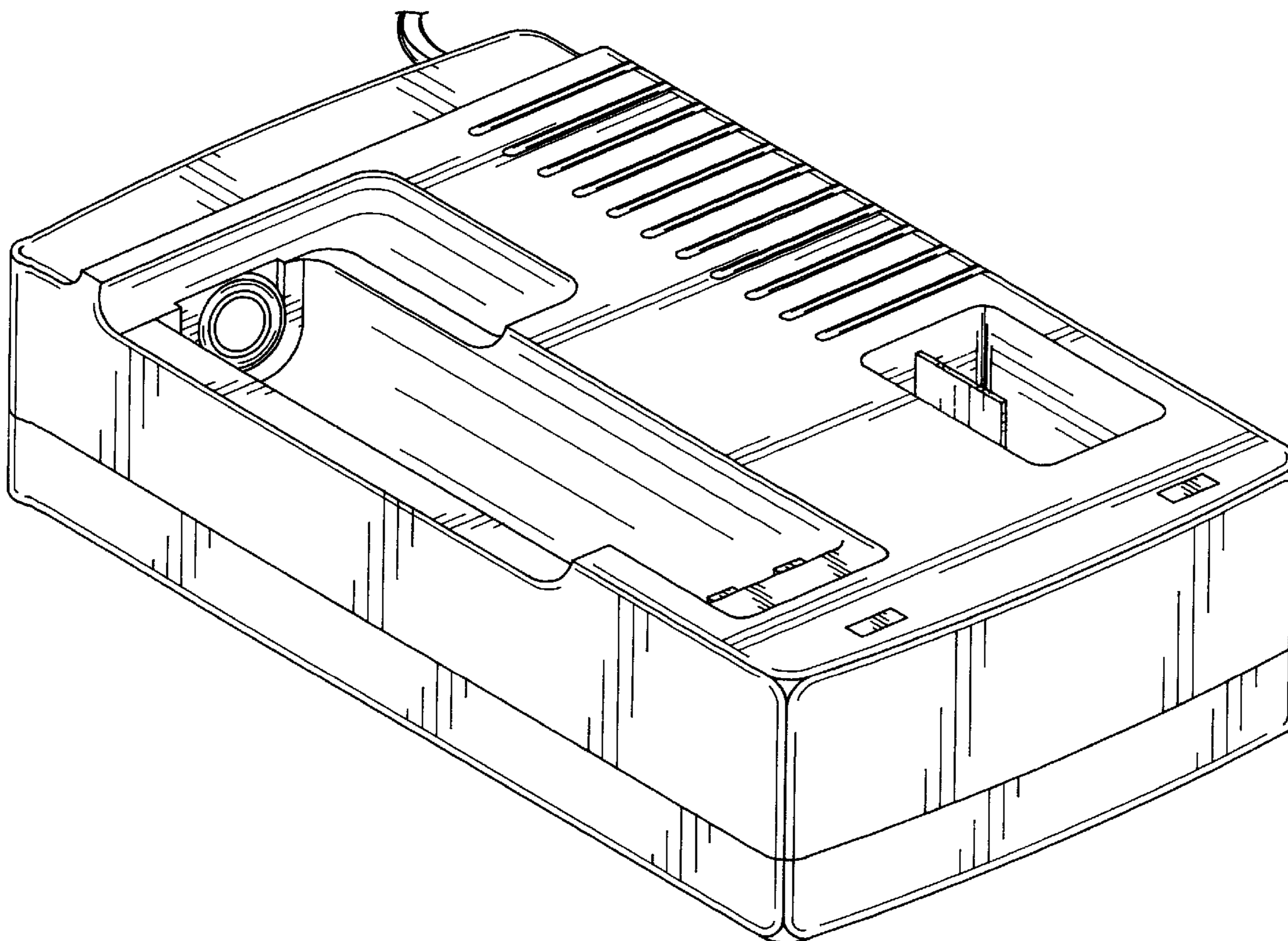
[57] **CLAIM**

We claim the ornamental design for a charger stand, as shown and described.

DESCRIPTION

FIG. 1 is a top plan view of the charger stand incorporating our new design;
FIG. 2 is a bottom plan view thereof;
FIG. 3 is a right side elevational view thereof;
FIG. 4 is a left side elevational view thereof;
FIG. 5 is a front elevational view thereof;
FIG. 6 is a rear elevational view thereof; and,
FIG. 7 is a left, top, front perspective view thereof.

1 Claim, 5 Drawing Sheets



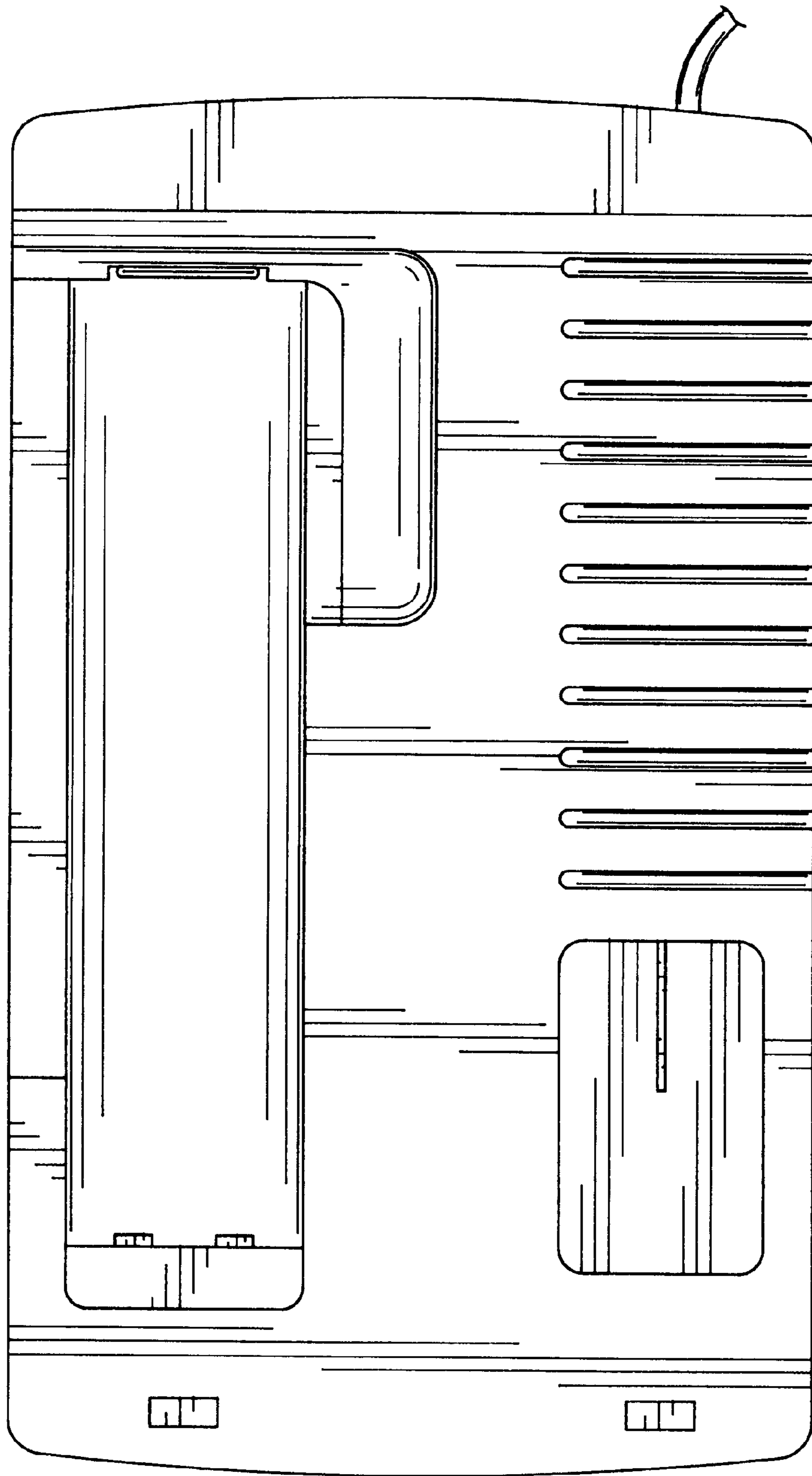


FIG. 1

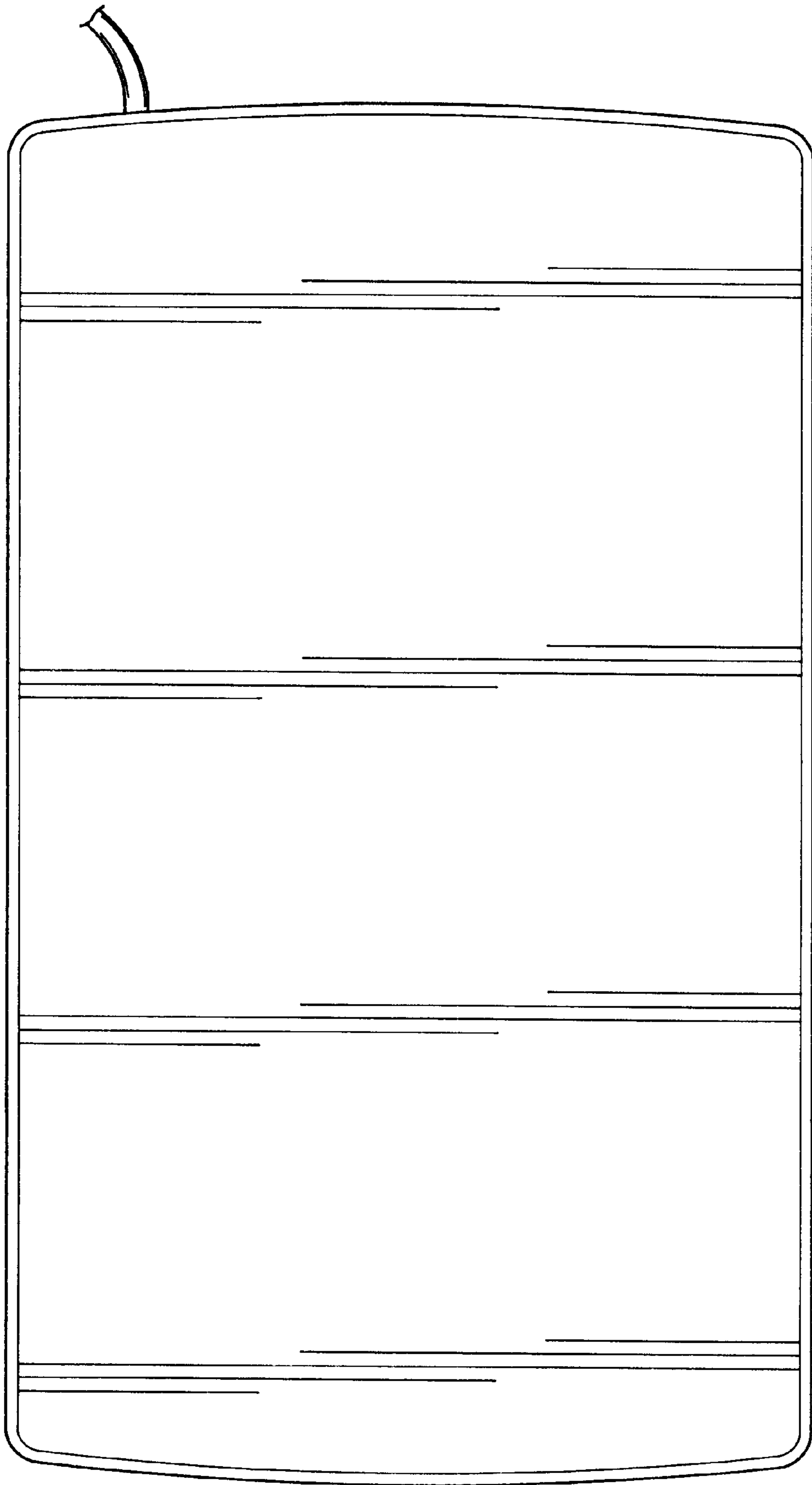


FIG. 2

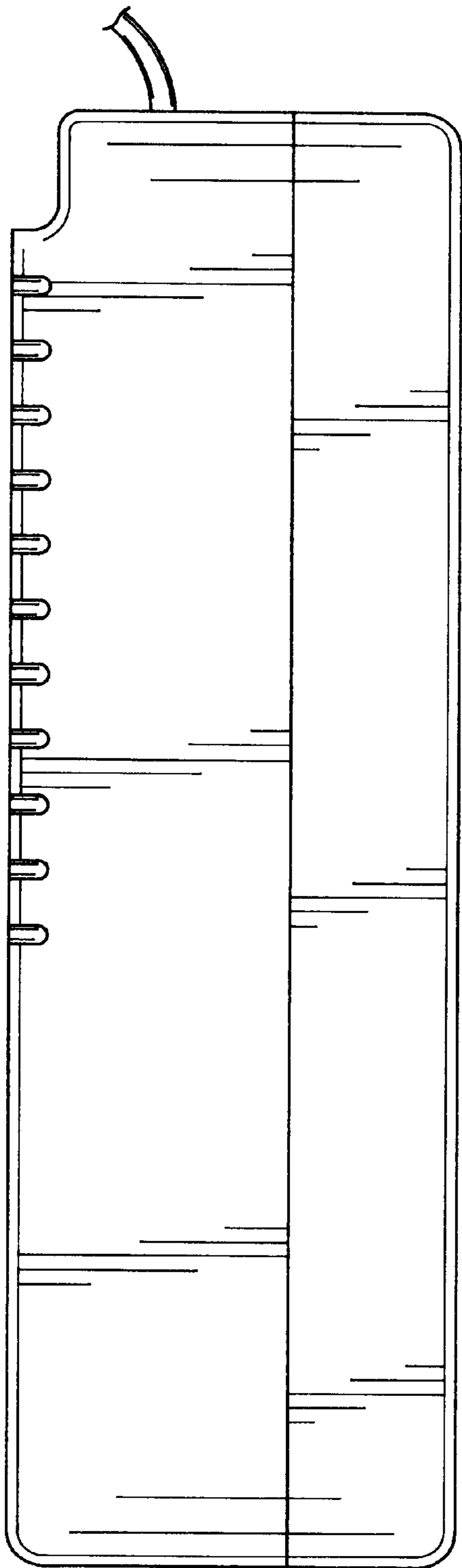


FIG. 3

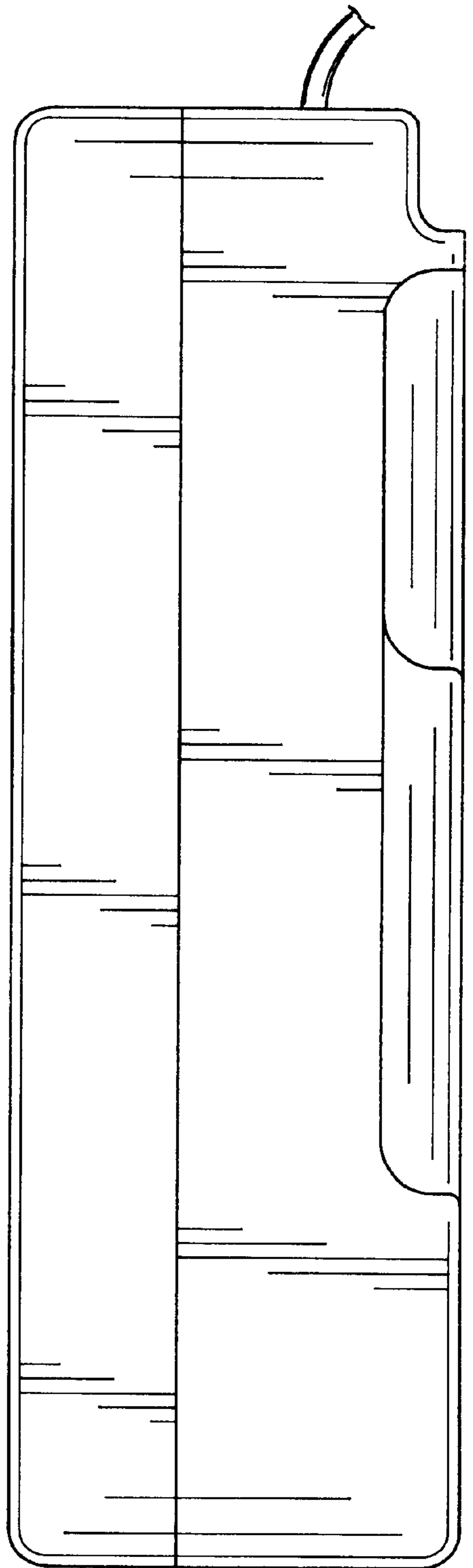


FIG. 4

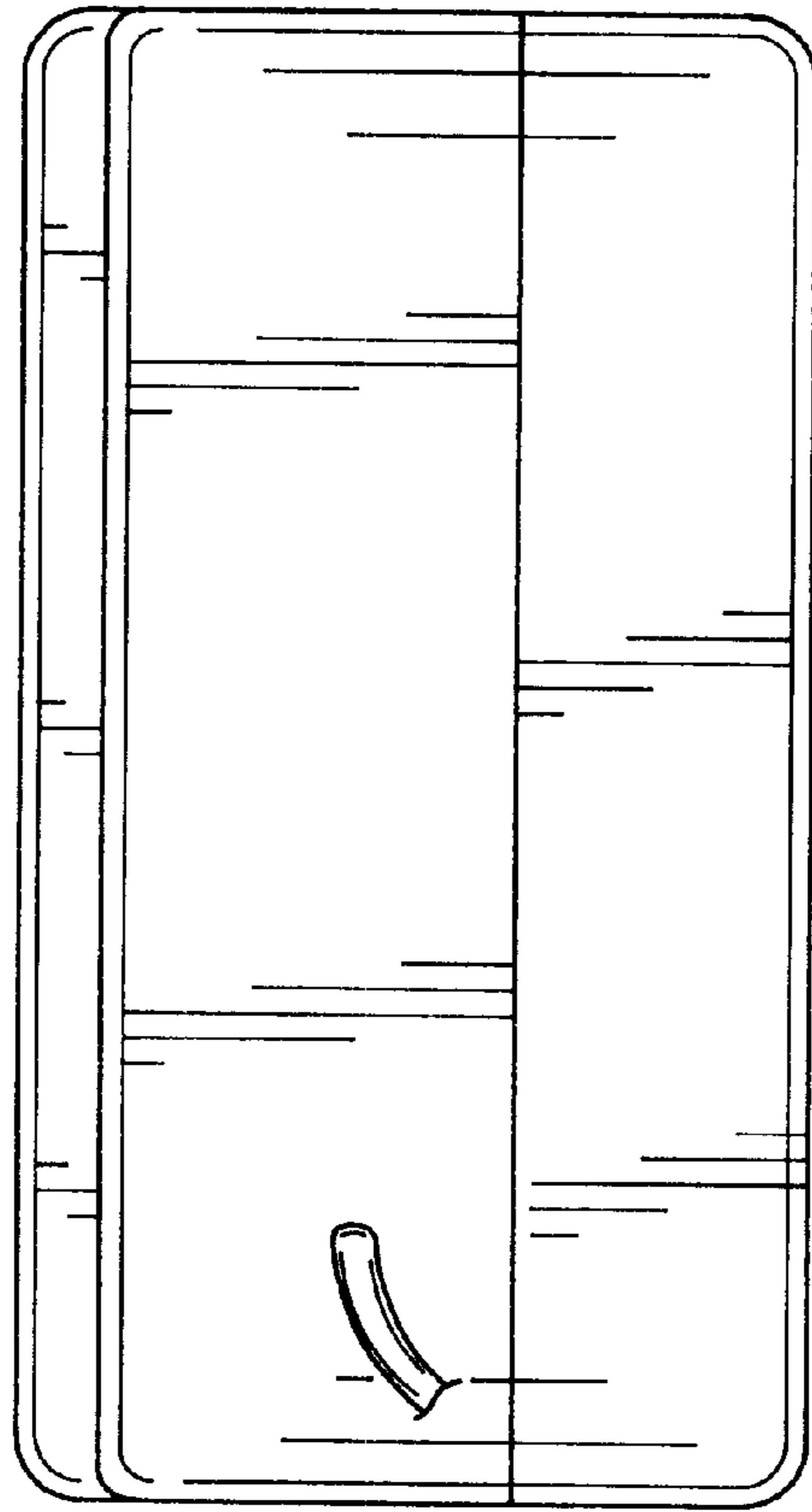


FIG. 5

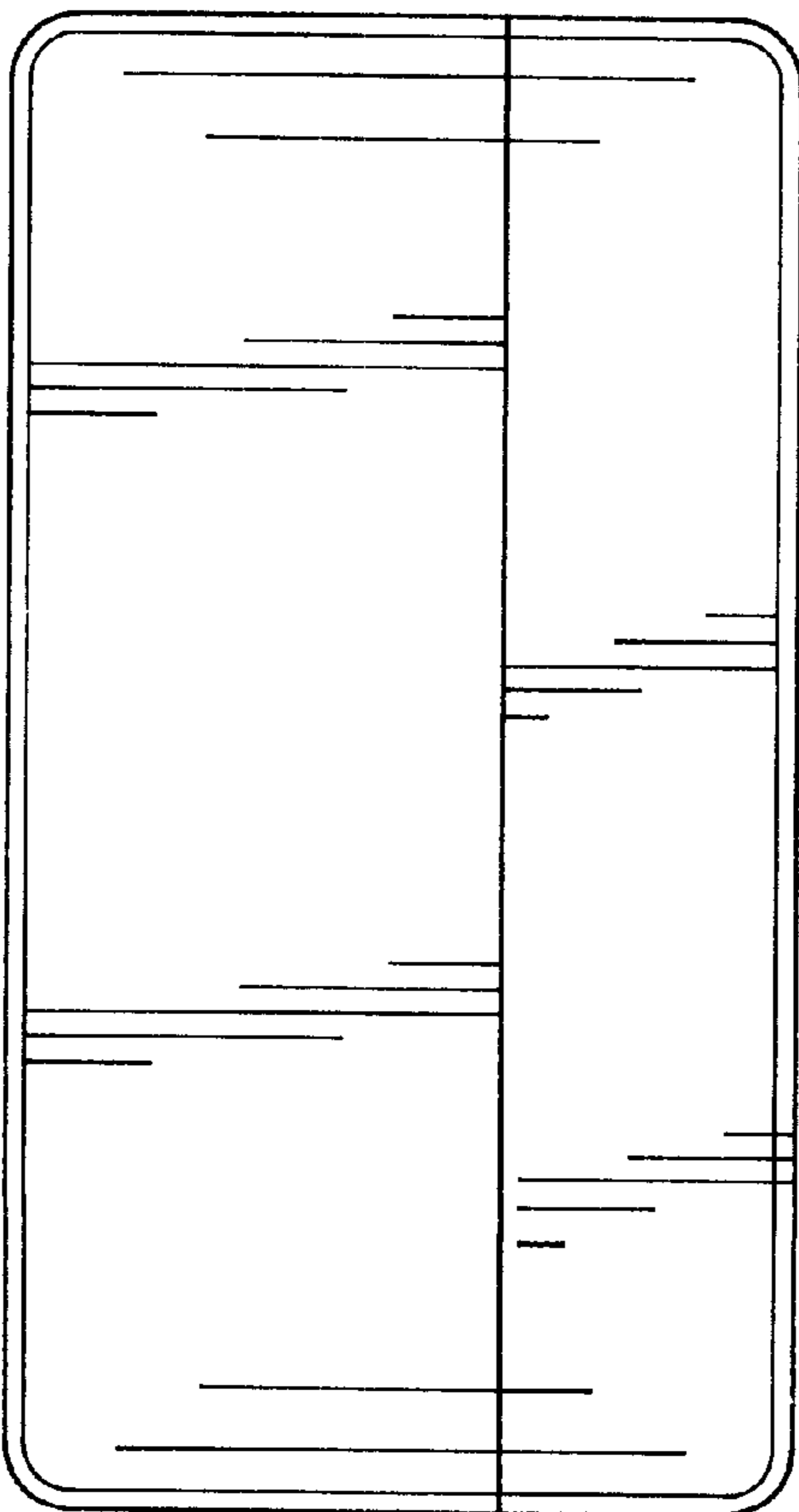


FIG. 6

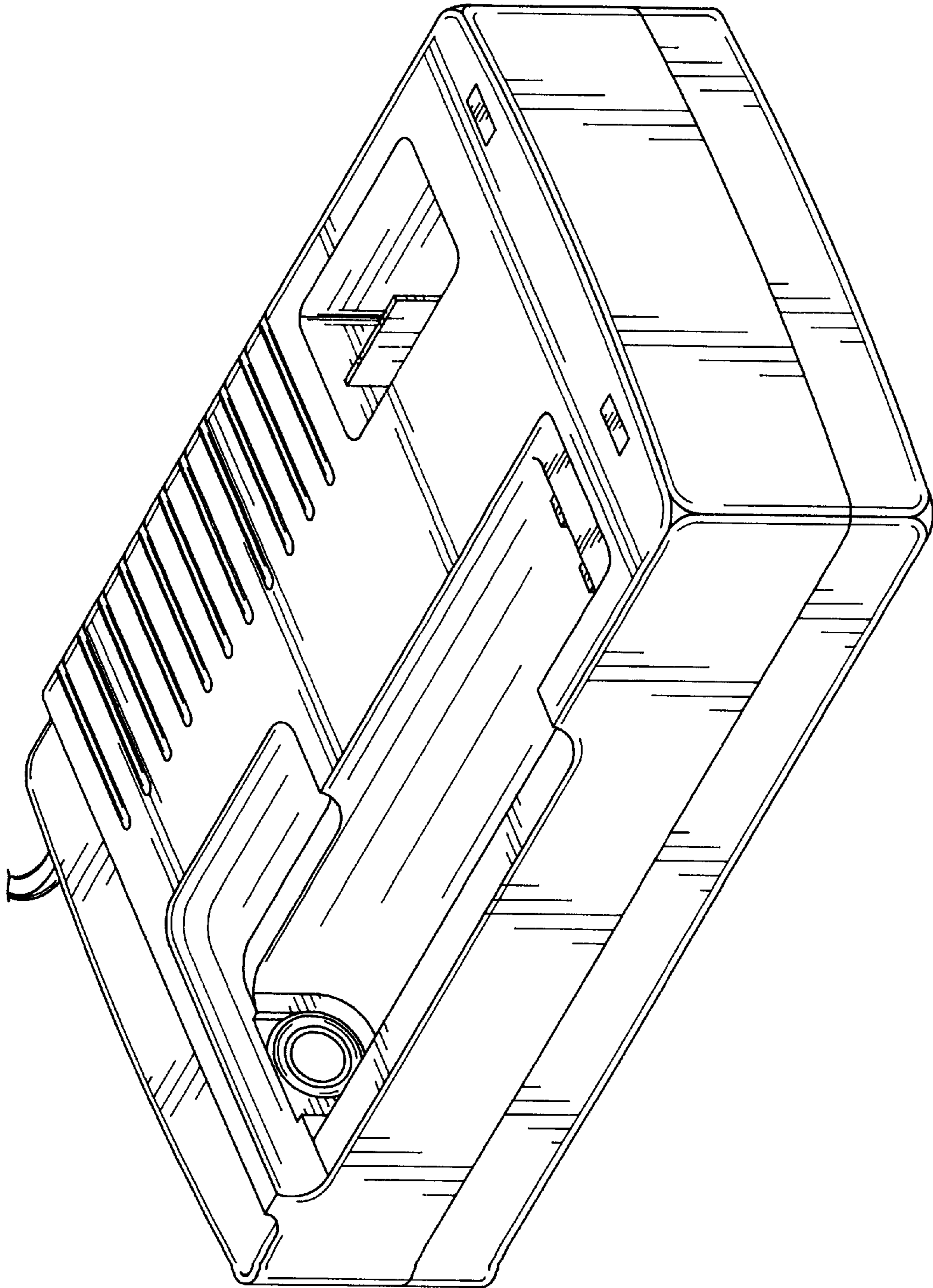


FIG. 7