



US00D417648S

United States Patent [19]

[11] **Patent Number: Des. 417,648**

Clowers et al.

[45] **Date of Patent: ** Dec. 14, 1999**

[54] **POWER TOOL RECHARGEABLE BATTERY**

[75] Inventors: **Earl Clowers; Mark A. Etter**, both of Jackson, Tenn.

[73] Assignee: **Porter-Cable Corporation**, Jackson, Tenn.

[**] Term: **14 Years**

[21] Appl. No.: **29/073,129**

[22] Filed: **Jul. 1, 1997**

[51] **LOC (6) Cl. 13-02**

[52] **U.S. Cl. D13/103**

[58] **Field of Search D13/103; 429/96-100, 429/163, 176**

[56] **References Cited**

U.S. PATENT DOCUMENTS

D. 334,012	3/1993	Chen	D13/103
D. 342,479	12/1993	Kimata	D13/103
D. 368,067	3/1996	Okumura	D13/103
D. 384,639	10/1997	Kawakami et al.	D13/103
D. 387,728	12/1997	Kawakami et al.	D13/103

OTHER PUBLICATIONS

Photographs of DeWalt Battery Pack, DW 9061 including perspective, top, bottom, front, rear, left and right views (photos 1-7).

Photographs of DeWalt Battery Pack, DW 9070 including perspective, top, bottom, front, rear, left and right views (photos 8-14).

Photographs of DeWalt Battery Pack, DW 9071 including perspective, top, bottom, front, rear, left and right views (photos 15-21).

"1995 Tools On Sale", p. 10, Models Makita 6211DW and Makita 6311DW.

"1995 Tools On Sale", p. 11, Models Porter Cable 9840, Porter Cable 9853 and Hitachi D10DFK.

"1995 Tools On Sale", p. 12, Model Ryobi TFD 222VRK.

"1995 Tools On Sale", p. 13, Model Milwaukee 0406-1.

"1995 Tools On Sale", p. 14, Model Milwaukee 0422-1.

"1995 Tools On Sale", p. 15, Model Bosch 3053VSRK.

"1995 Tools On Sale", p. 16, Model AEG ABSE15S.

"1995 Tools On Sale", p. 17, DEWALT Models DW944K-2, DW962K-2, DW952K, DW967K, DW945K-2, DW953K, and DW972K-2.

"1995 Tools On Sale", p. 18, DEWALT Models DW979K, DW976K, DW977K, DW978K, DW991K, and DW996K.

"1995 Tools On Sale", p. 19, Panasonic Model EY62821DKW.

"1995 Tools On Sale", p. 20, Panasonic Models EY6100CRKW, EY6100EQK, EY6100CQKW, EY6205EQK, and EY6207EQK.

"DeWALT High Performance Industrial Tools & Accessories", 1995 Power Tools & Accessories Catalog, p. 6, DeWALT Model DW942R.

"DeWALT High Performance Industrial Tools & Accessories", 1995 Power Tools & Accessories Catalog, p. 7, DeWALT Model DW961K-2.

"DeWALT High Performance Industrial Tools & Accessories", 1995 Power Tools & Accessories Catalog, p. 8, DeWALT Models DW964K-2 and DW971K-2.

"DeWALT High Performance Industrial Tools & Accessories", 1995 Power Tools & Accessories Catalog, p. 9, DeWALT Model DW974KQ.

"DeWALT High Performance Industrial Tools & Accessories", 1995 Power Tools & Accessories Catalog, p. 10, DeWALT Models DW994KQ and DW967K.

"DeWALT High Performance Industrial Tools & Accessories", 1995 Power Tools & Accessories Catalog, pp. 15-16, showing battery pack models DW9046, DW9048, DW9050, DW9051, DW9060, DW9070, DW9061, DW9071, and DW9091.

Primary Examiner—Joel Sincavage

Attorney, Agent, or Firm—Merchant & Gould P.C.

[57] **CLAIM**

The ornamental design for a power tool rechargeable battery, as shown and described.

DESCRIPTION

FIG. 1 is a rear bottom and left side perspective view of a power tool rechargeable battery showing the first embodiment.

FIG. 2 is a front top and left side perspective view of the battery shown in FIG. 1.

FIG. 3 is a right side elevational view of the battery shown in FIG. 1.

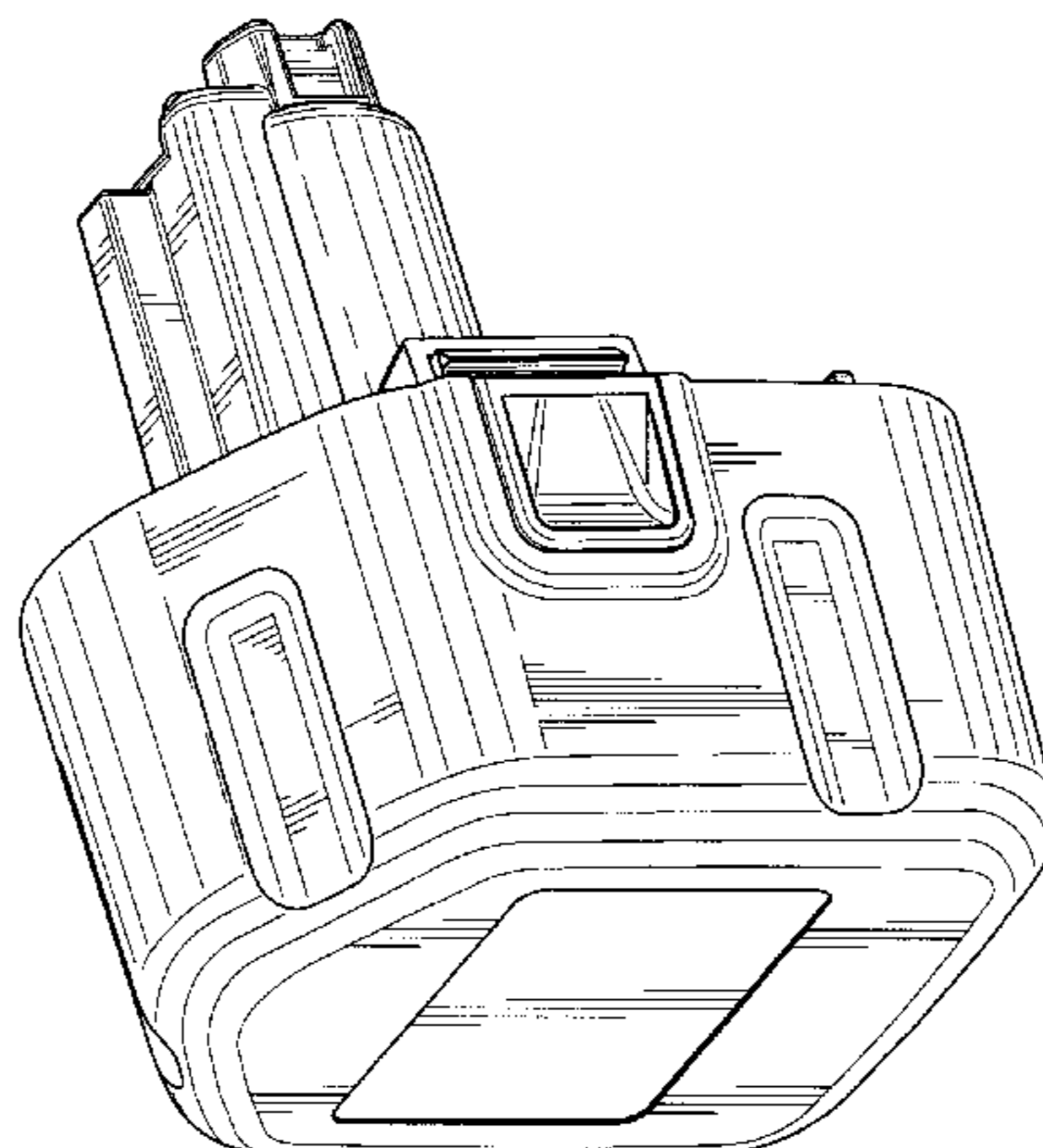


FIG. 4 is a left side elevational view of the battery shown in FIG. 1.

FIG. 5 is a rear elevational view of the battery shown in FIG. 1.

FIG. 6 is a front elevational view of the battery shown in FIG. 1.

FIG. 7 is a top plan view of the battery shown in FIG. 1.

FIG. 8 is a bottom plan view of the battery shown in FIG. 1.

FIG. 9 is a rear bottom and left side view of a power tool rechargeable battery showing the second embodiment.

FIG. 10 is a front top and left side perspective view of the battery shown in FIG. 9.

FIG. 11 is a right side elevational view of the battery shown in FIG. 9.

FIG. 12 is a left side elevational view of the battery shown in FIG. 9.

FIG. 13 is a rear elevational view of the battery shown in FIG. 9.

FIG. 14 is a front elevational view of the battery shown in FIG. 9.

FIG. 15 is a top plan view of the battery shown in FIG. 9.

FIG. 16 is a bottom plan view of the battery shown in FIG. 9.

FIG. 17 is a from bottom and right side perspective view of a power tool rechargeable battery showing the third embodiment.

FIG. 18 is a top front a left side view of the battery shown in FIG. 17.

FIG. 19 is a right side elevational view of the battery shown in FIG. 17.

FIG. 20 is a left side elevational view of the battery shown in FIG. 17.

FIG. 21 is a rear elevational view of the battery shown in FIG. 17.

FIG. 22 is a front elevational view of the battery shown in FIG. 17.

FIG. 23 is a top plan view of the battery shown in FIG. 17; and,

FIG. 24 is a bottom plan view of the battery shown in FIG. 17.

1 Claim, 12 Drawing Sheets

FIG. 1

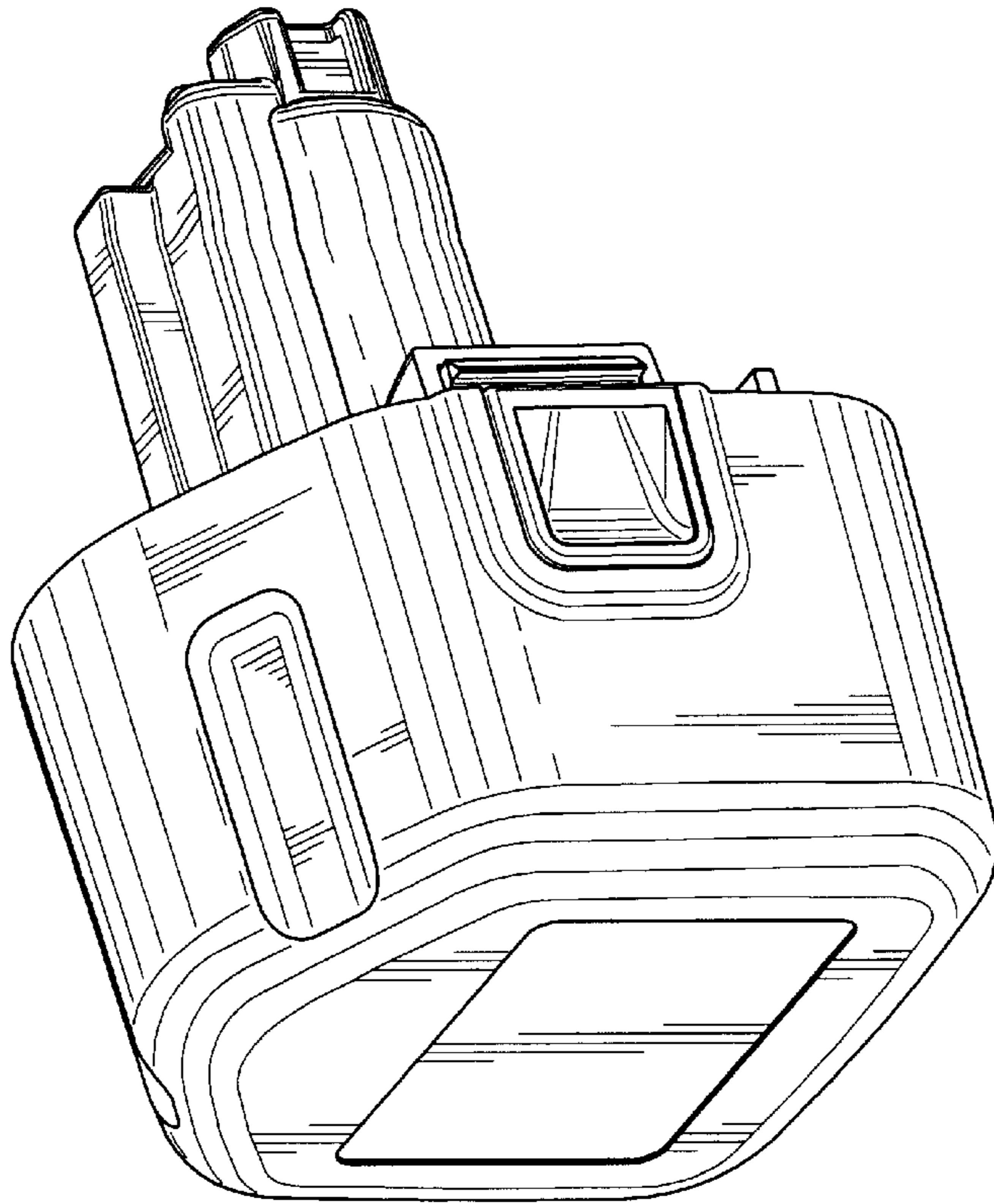


FIG. 2

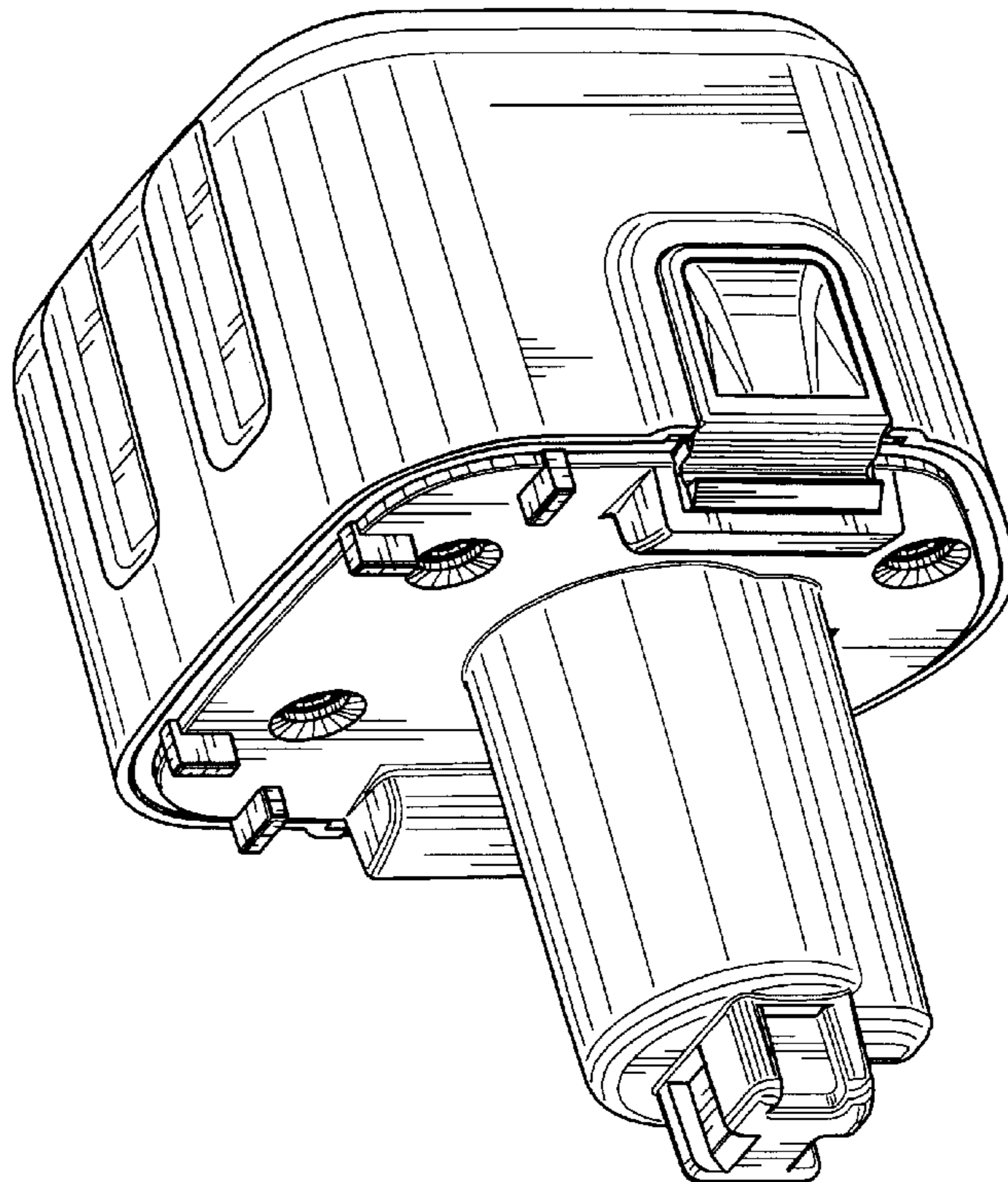


FIG. 3

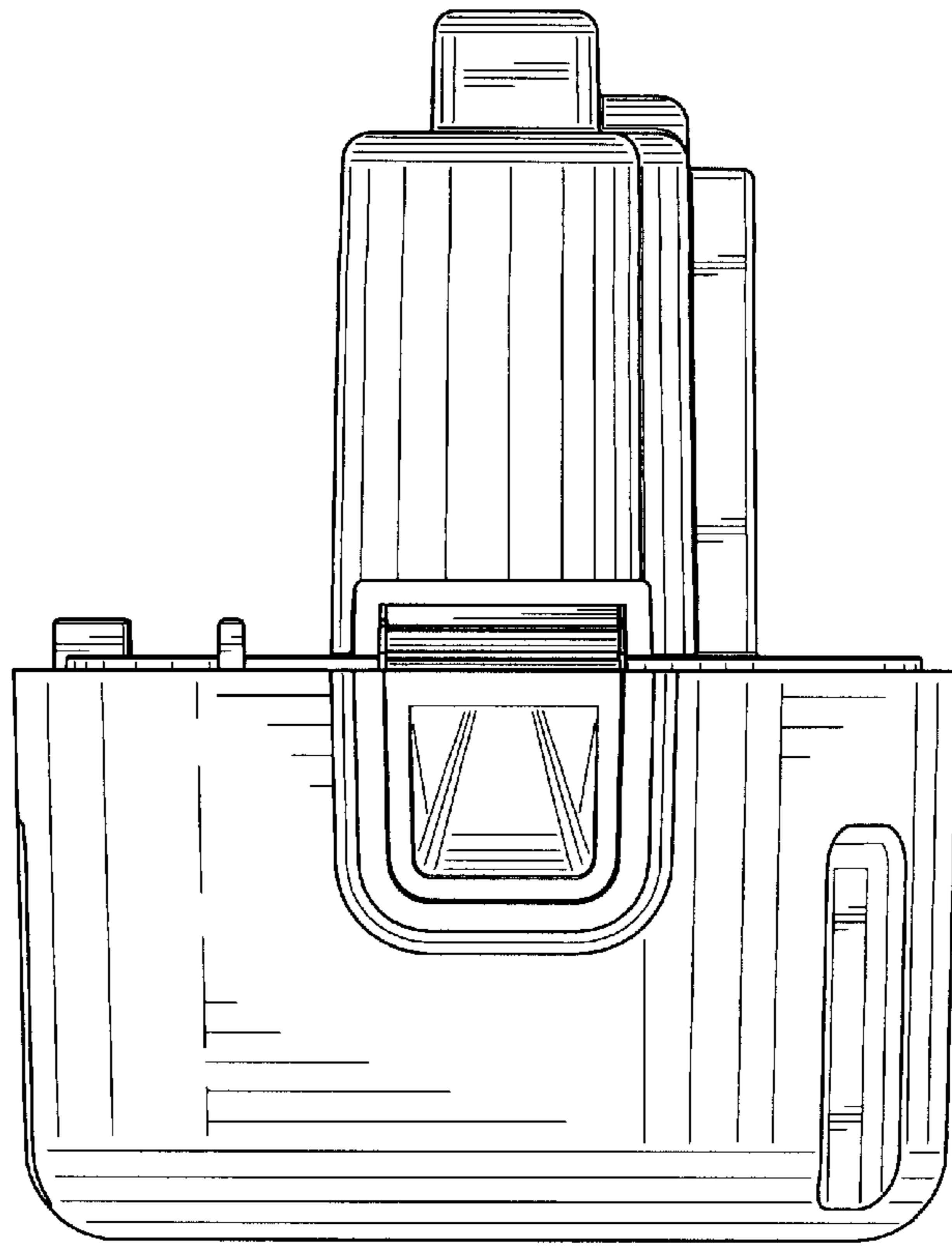


FIG. 4

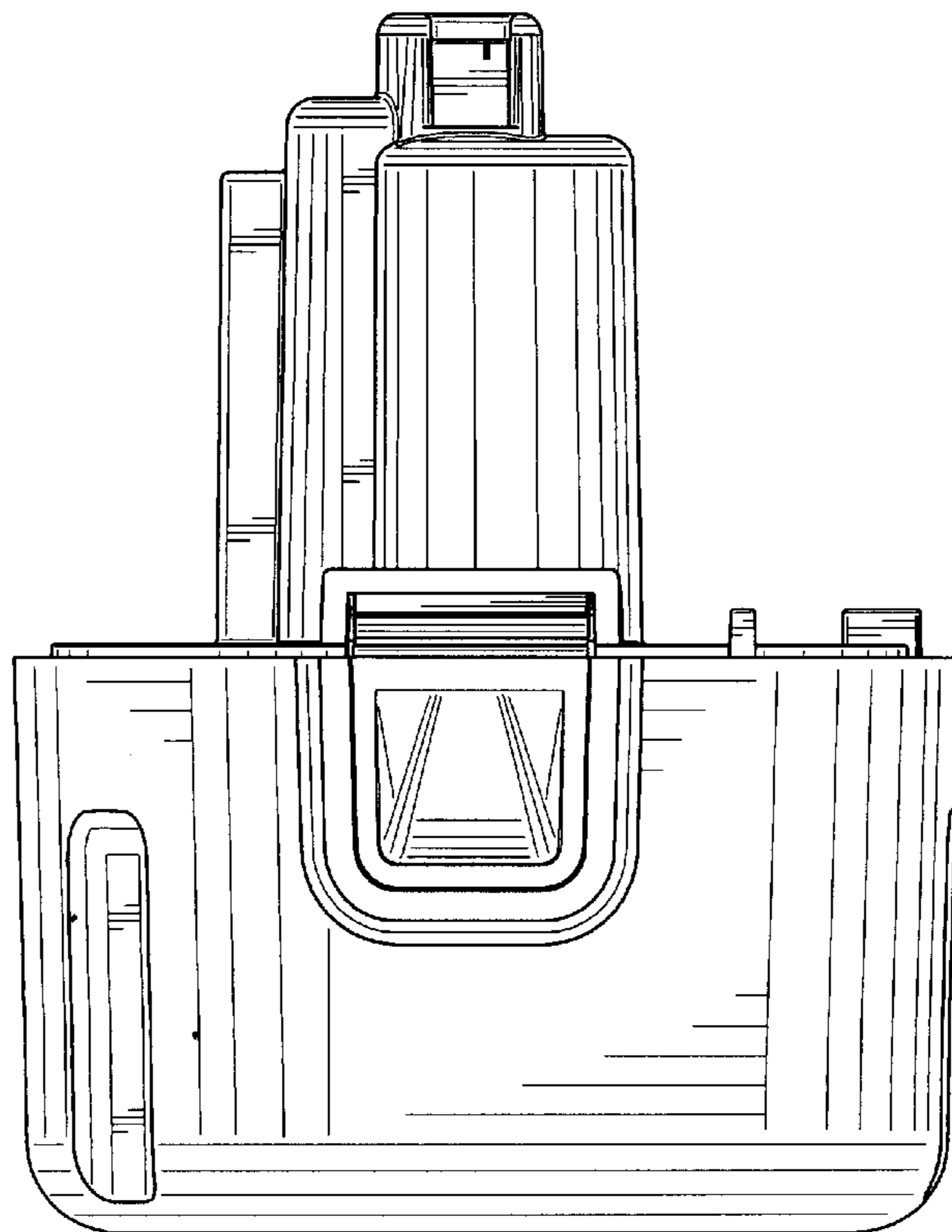


FIG. 5

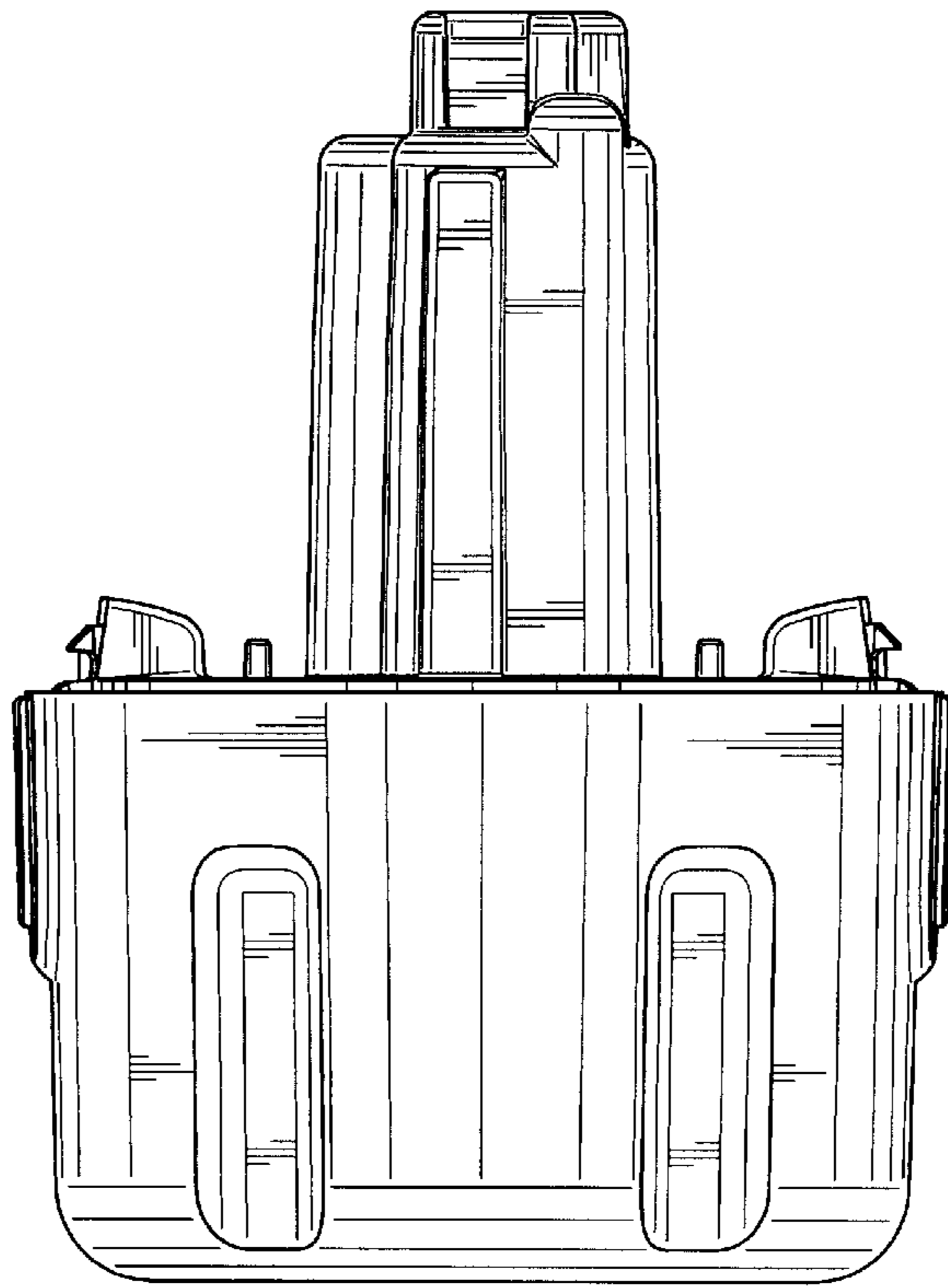


FIG. 6

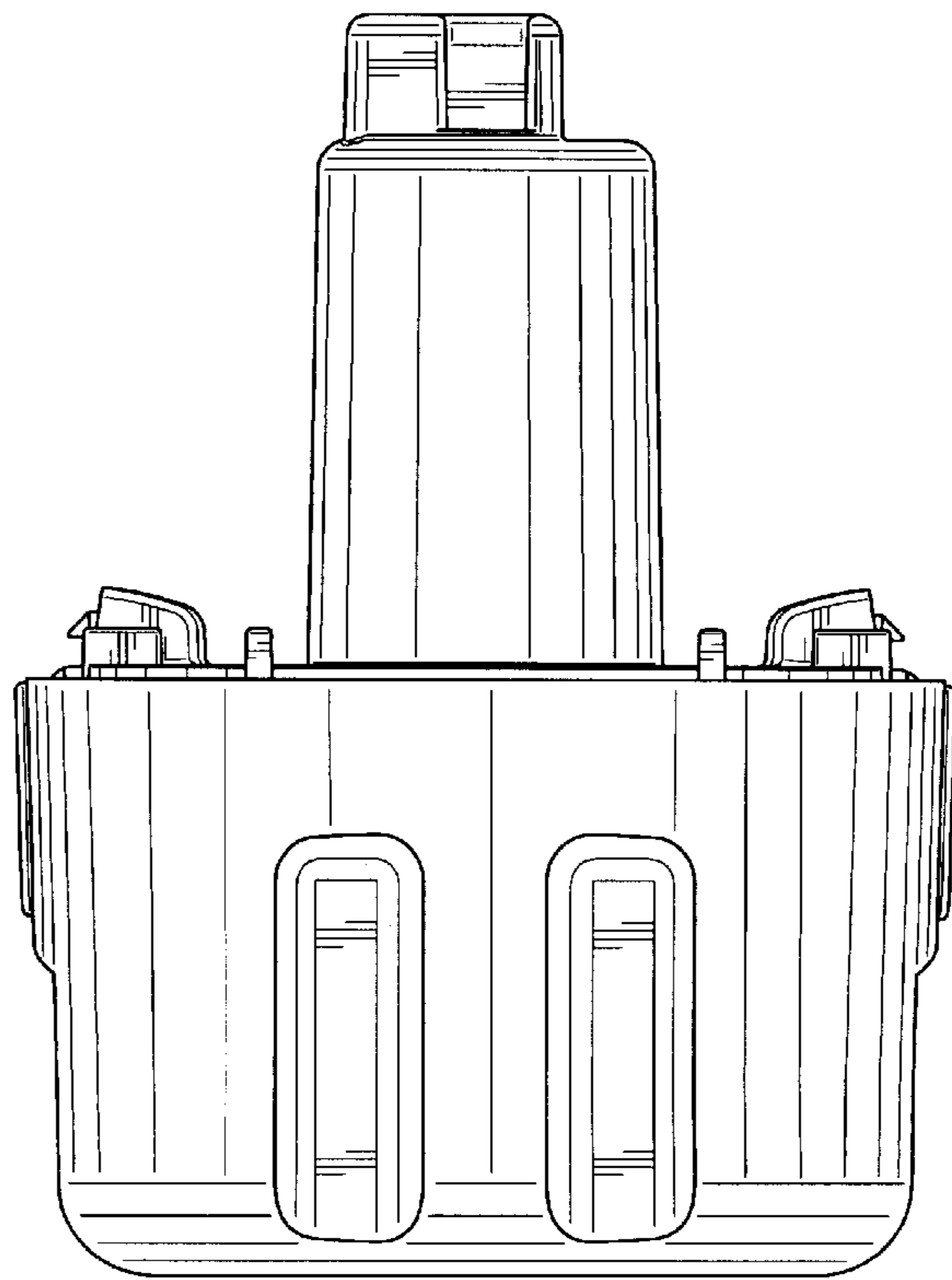


FIG. 7

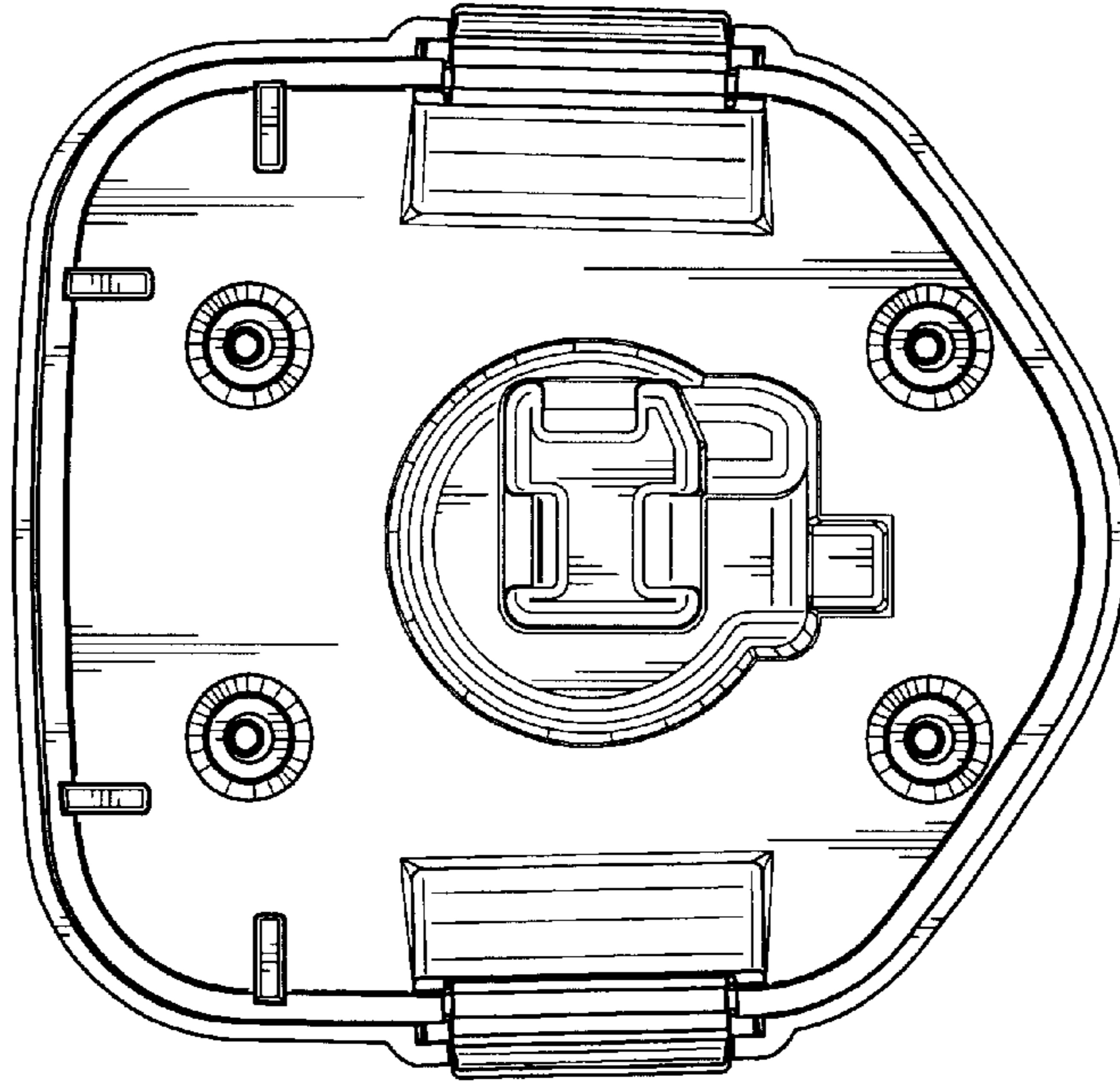


FIG. 8

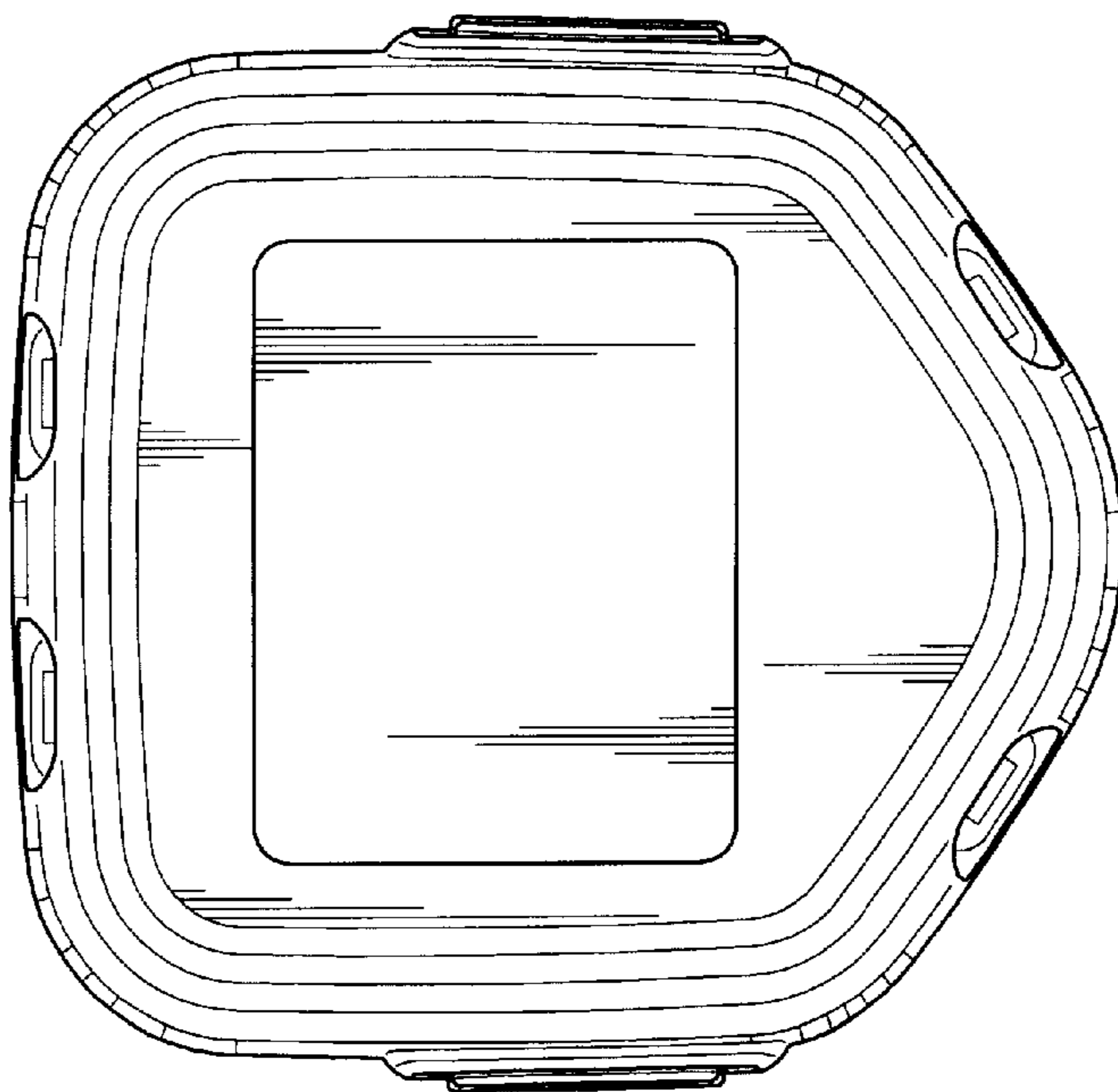


FIG. 9

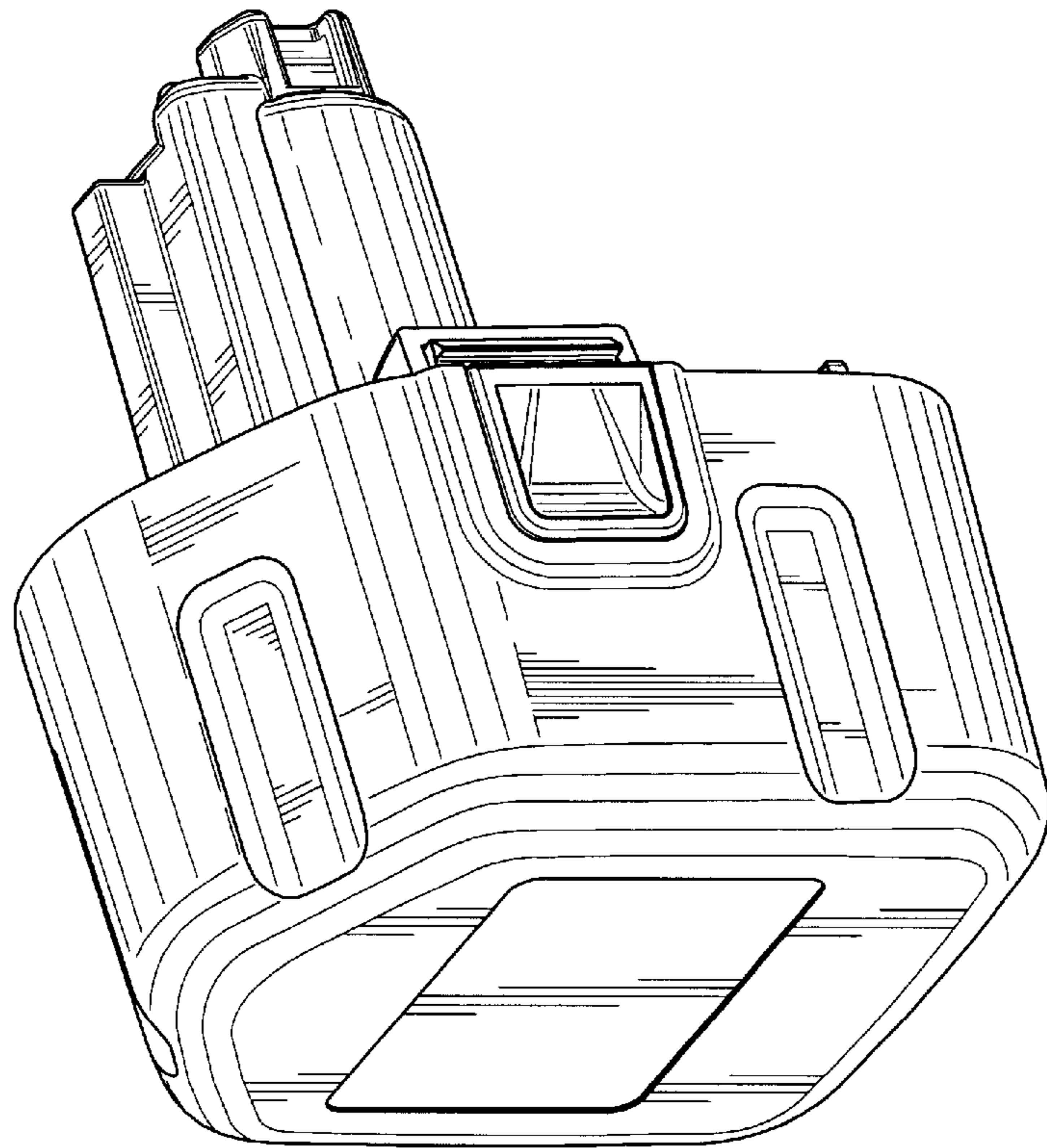


FIG. 10

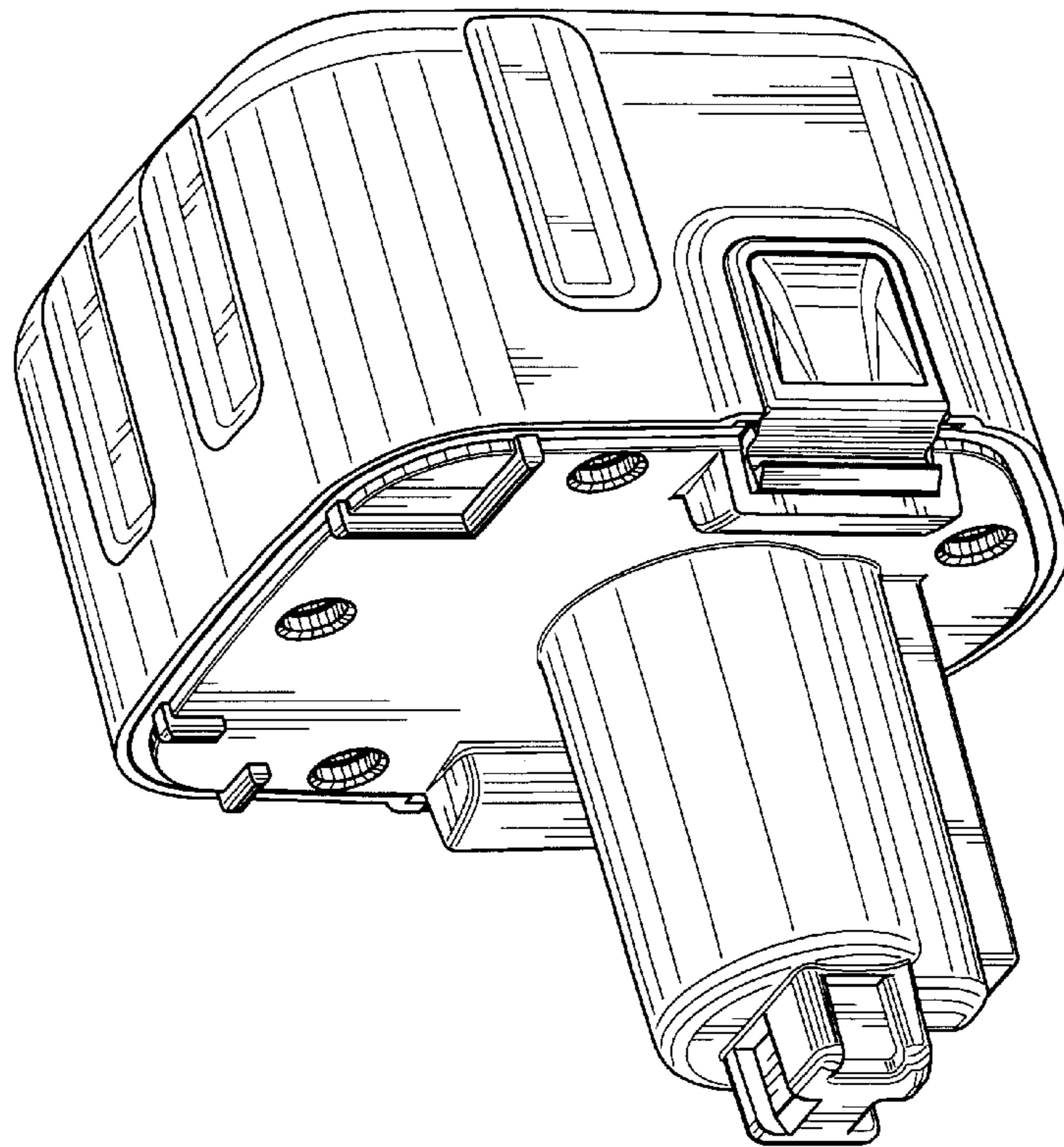


FIG. 11

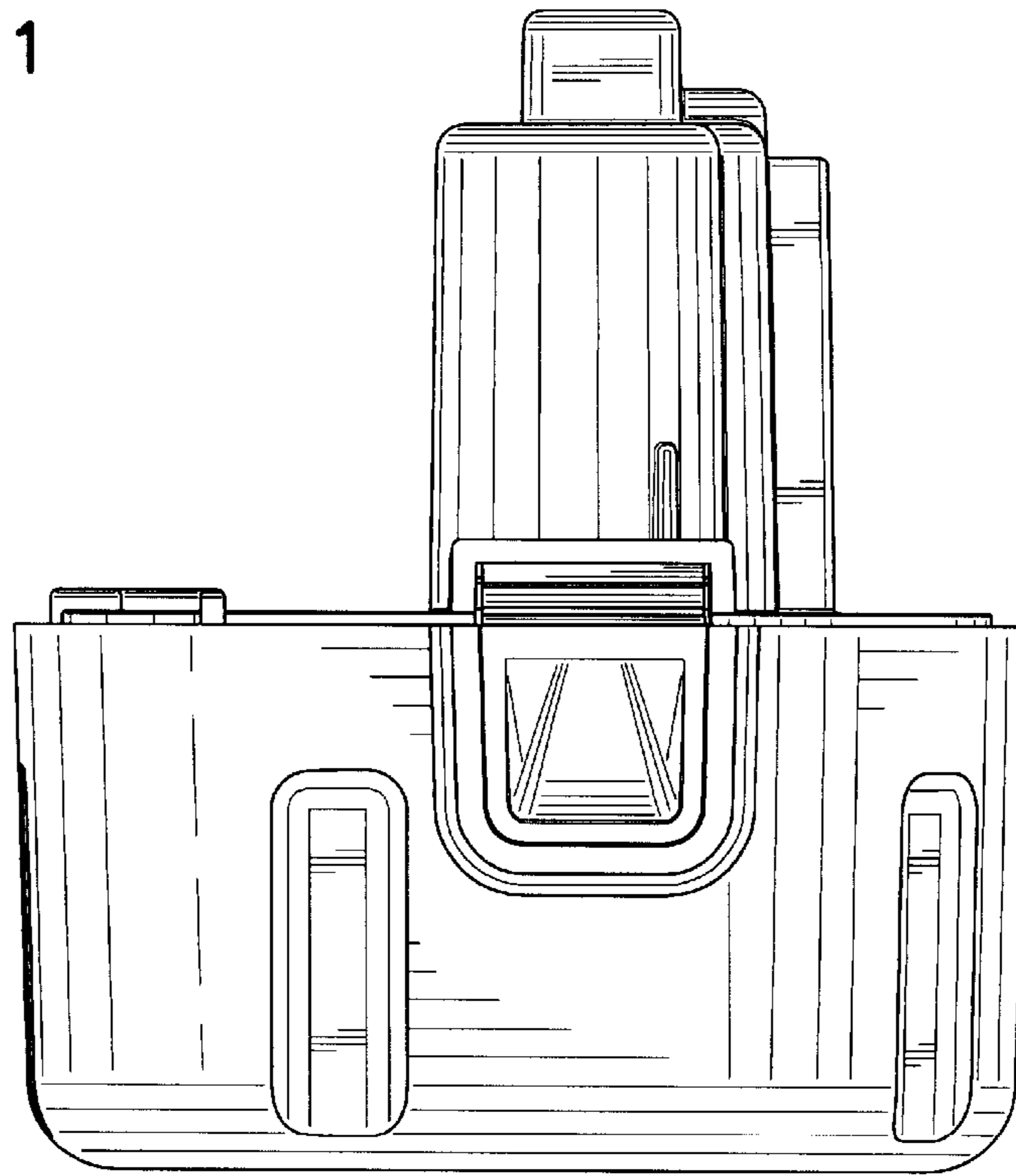


FIG. 12

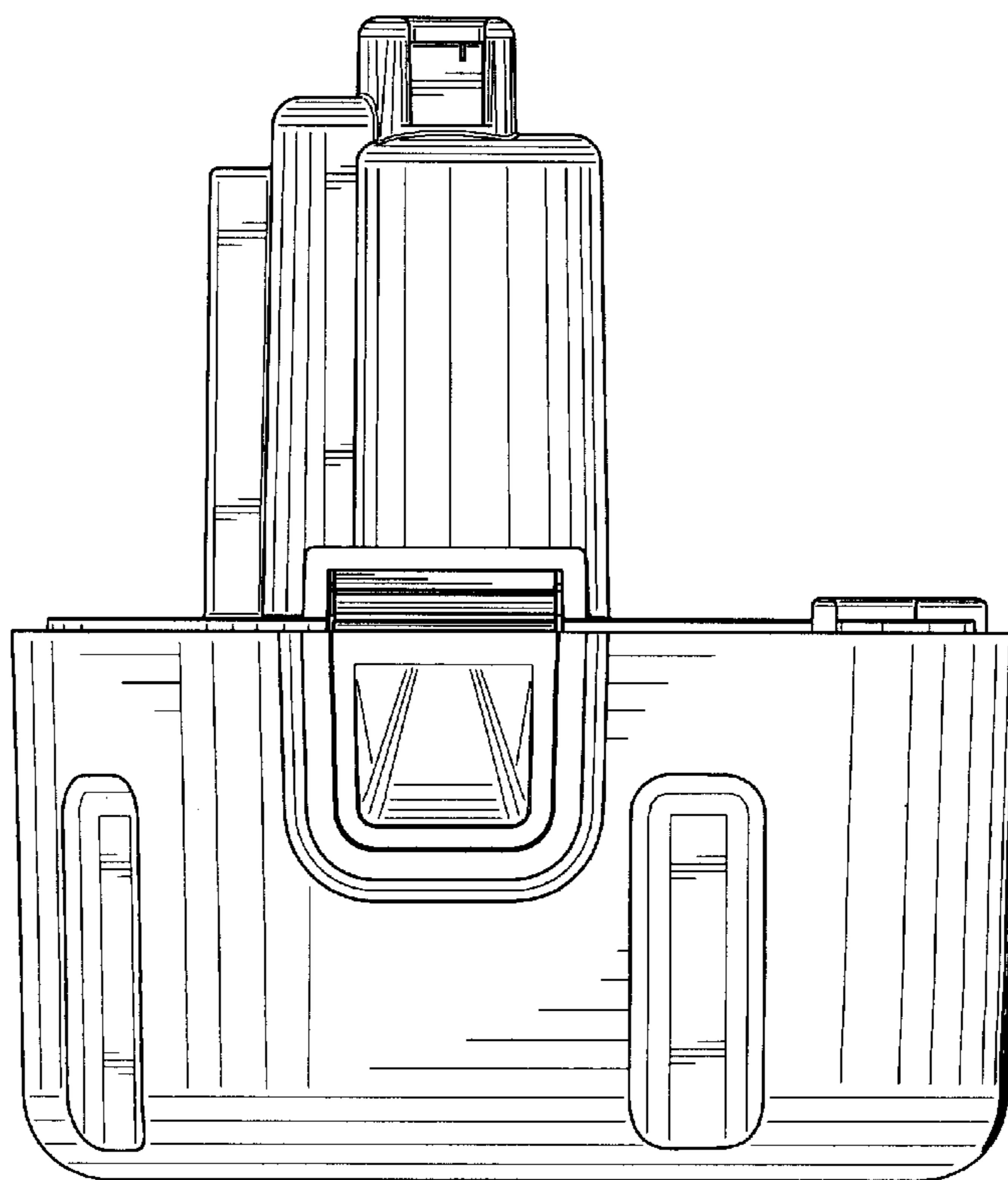


FIG. 13

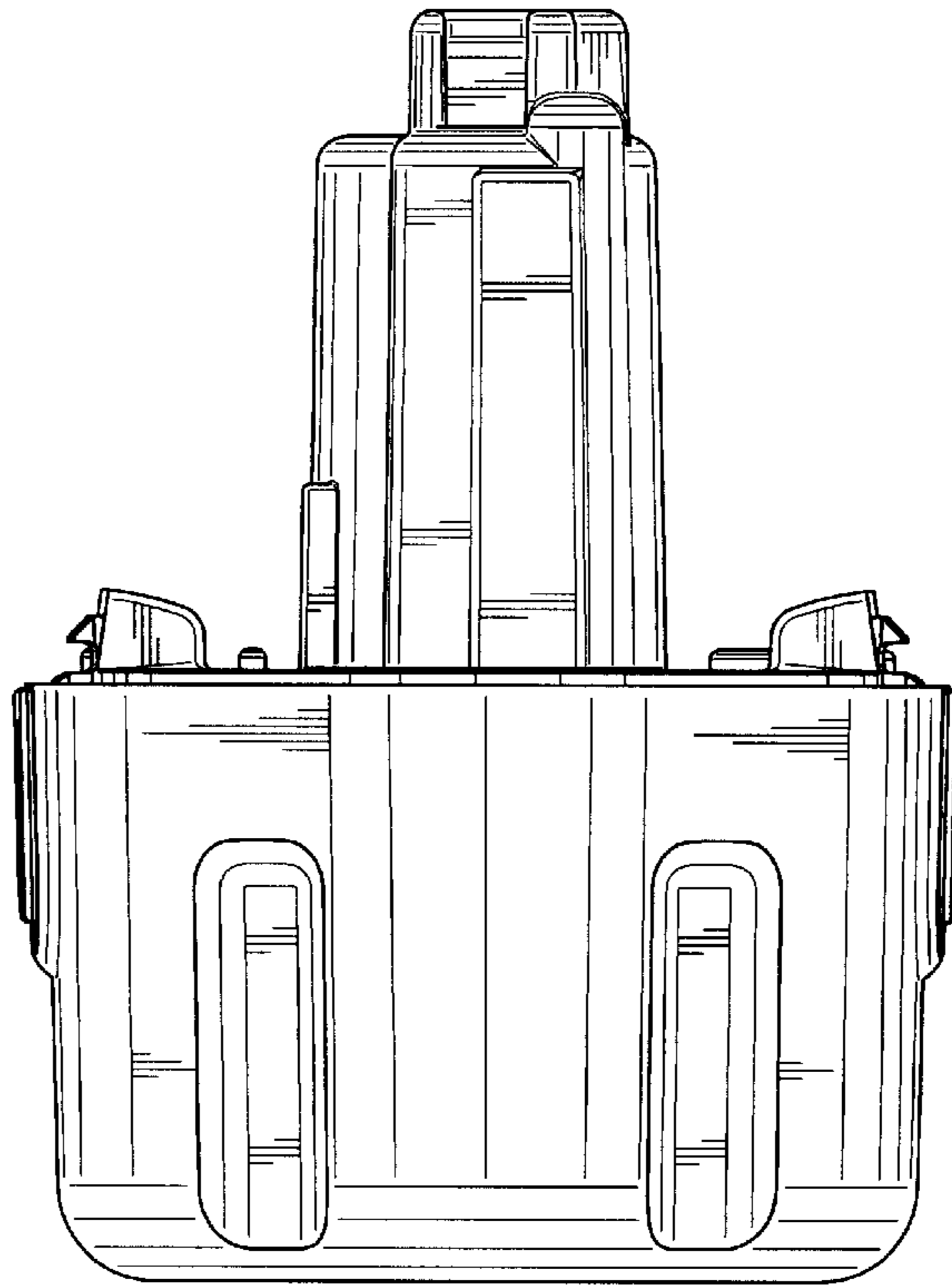


FIG. 14

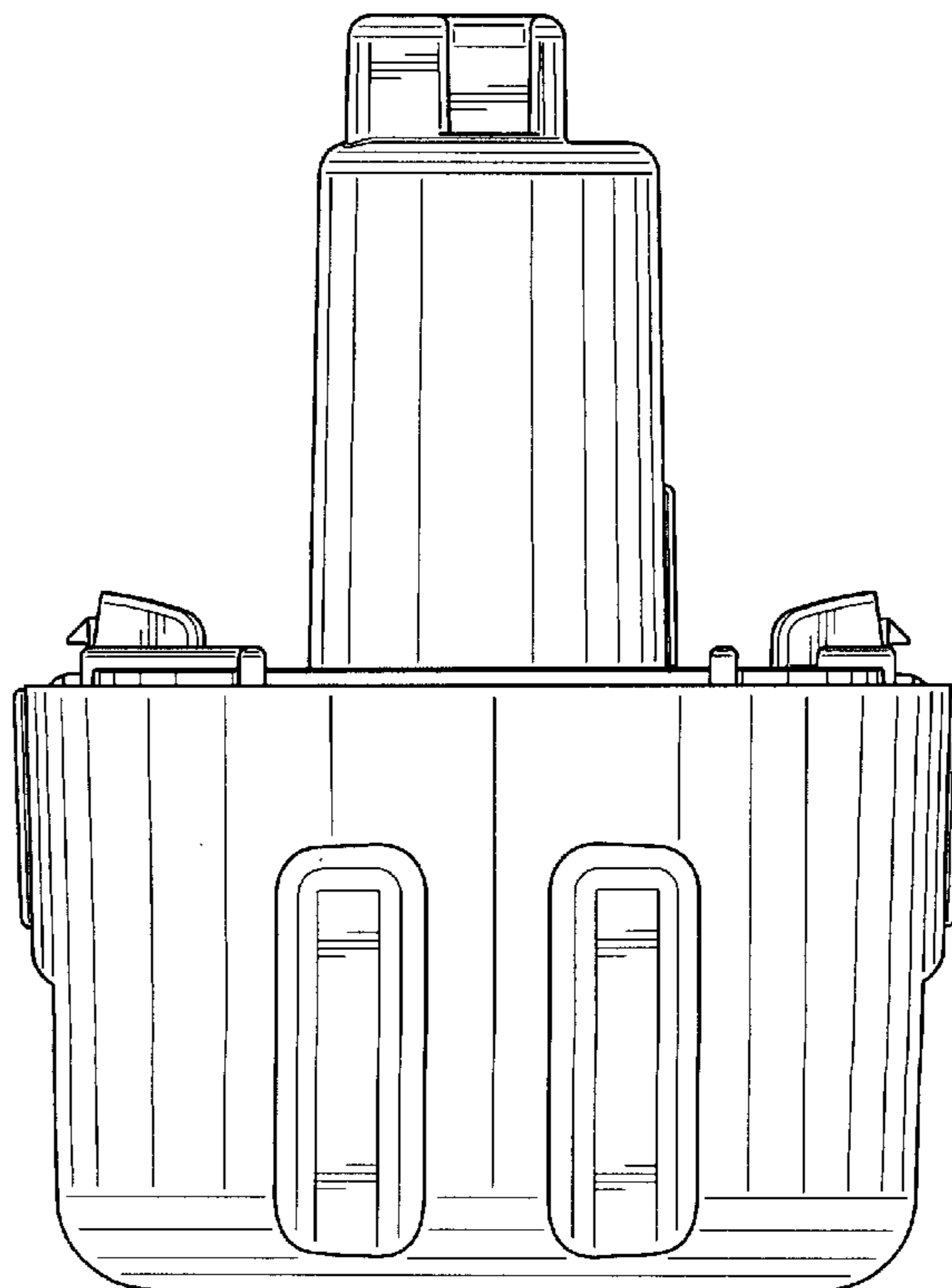


FIG. 15

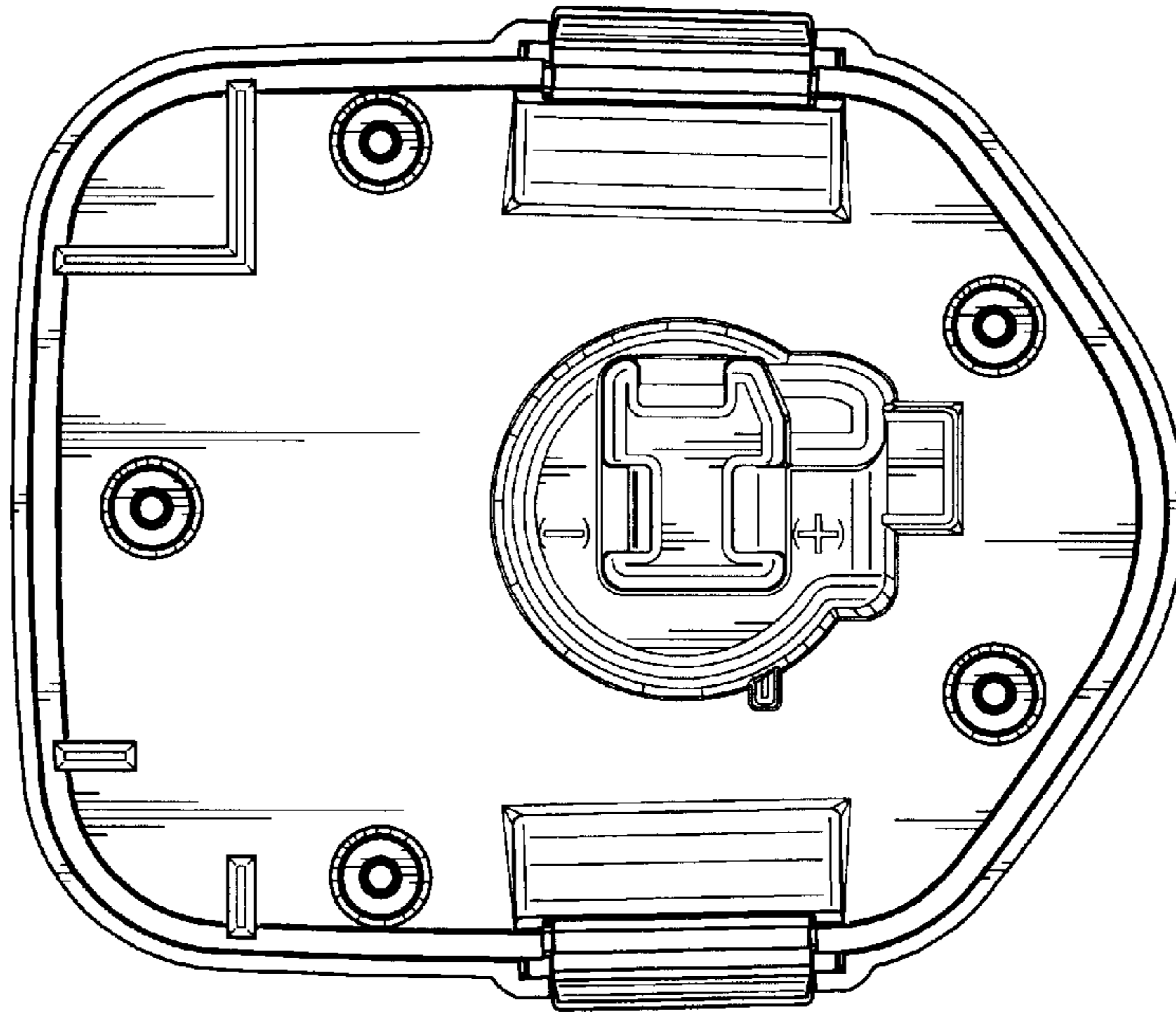


FIG. 16

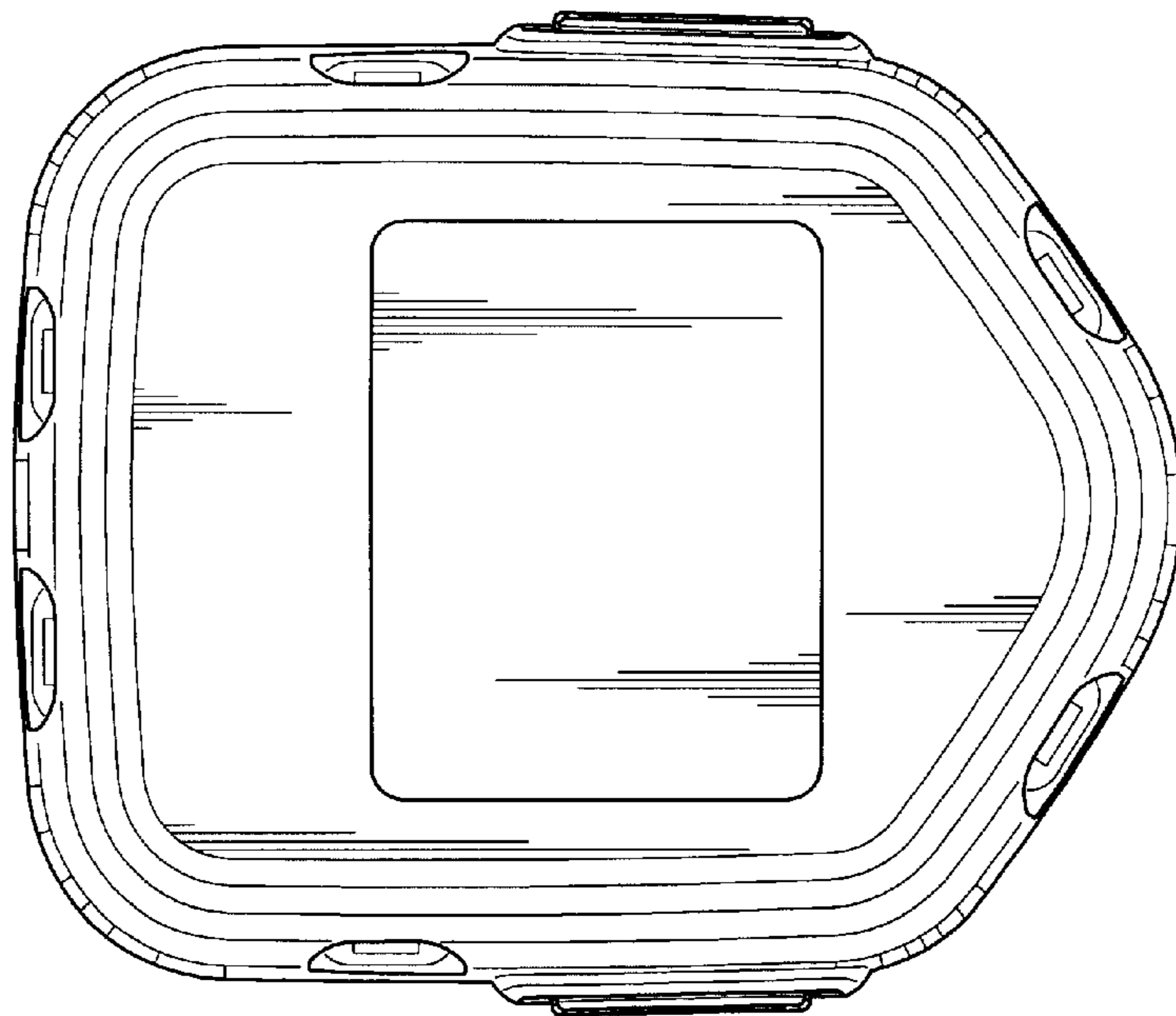


FIG. 17

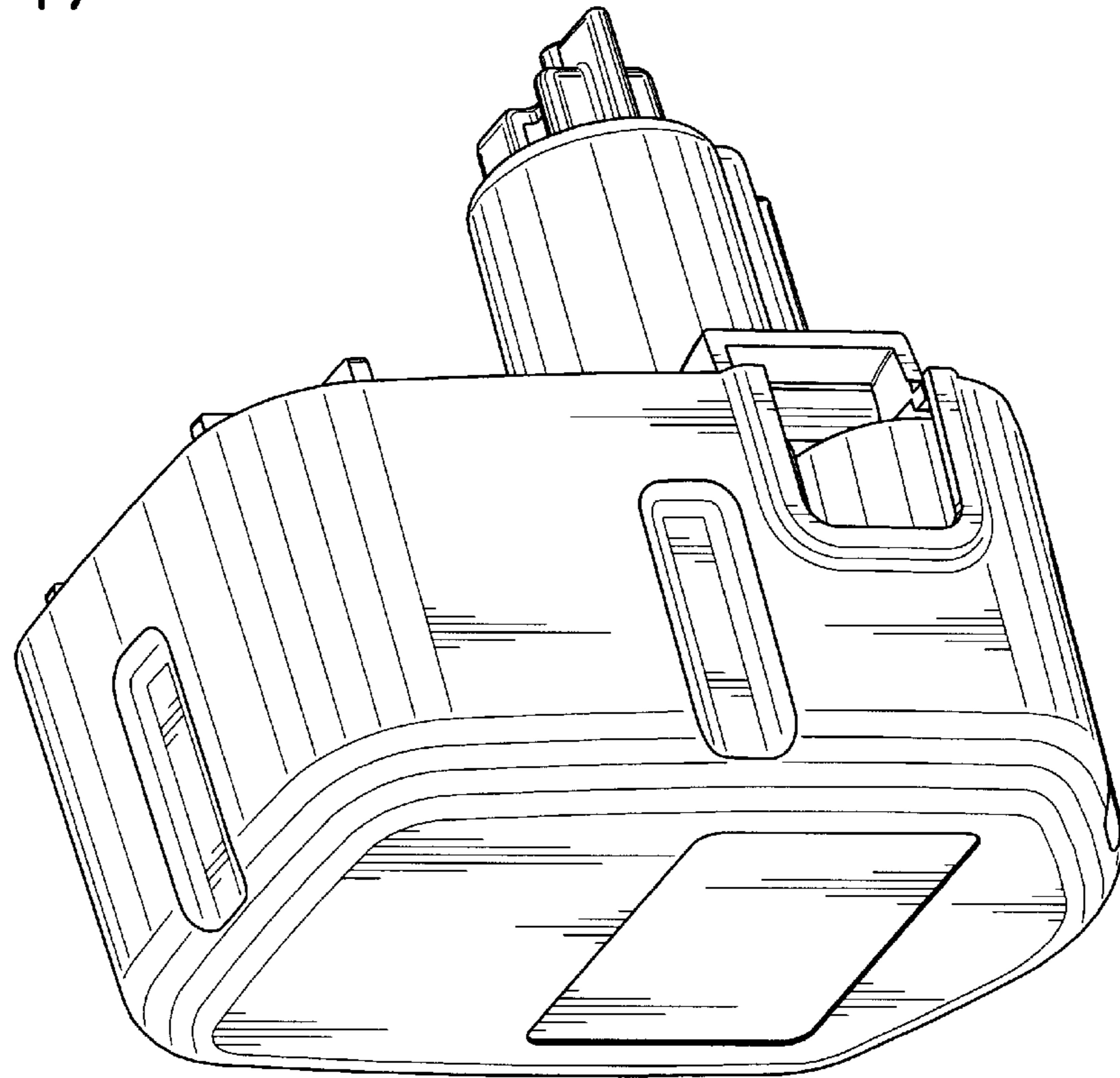


FIG. 18

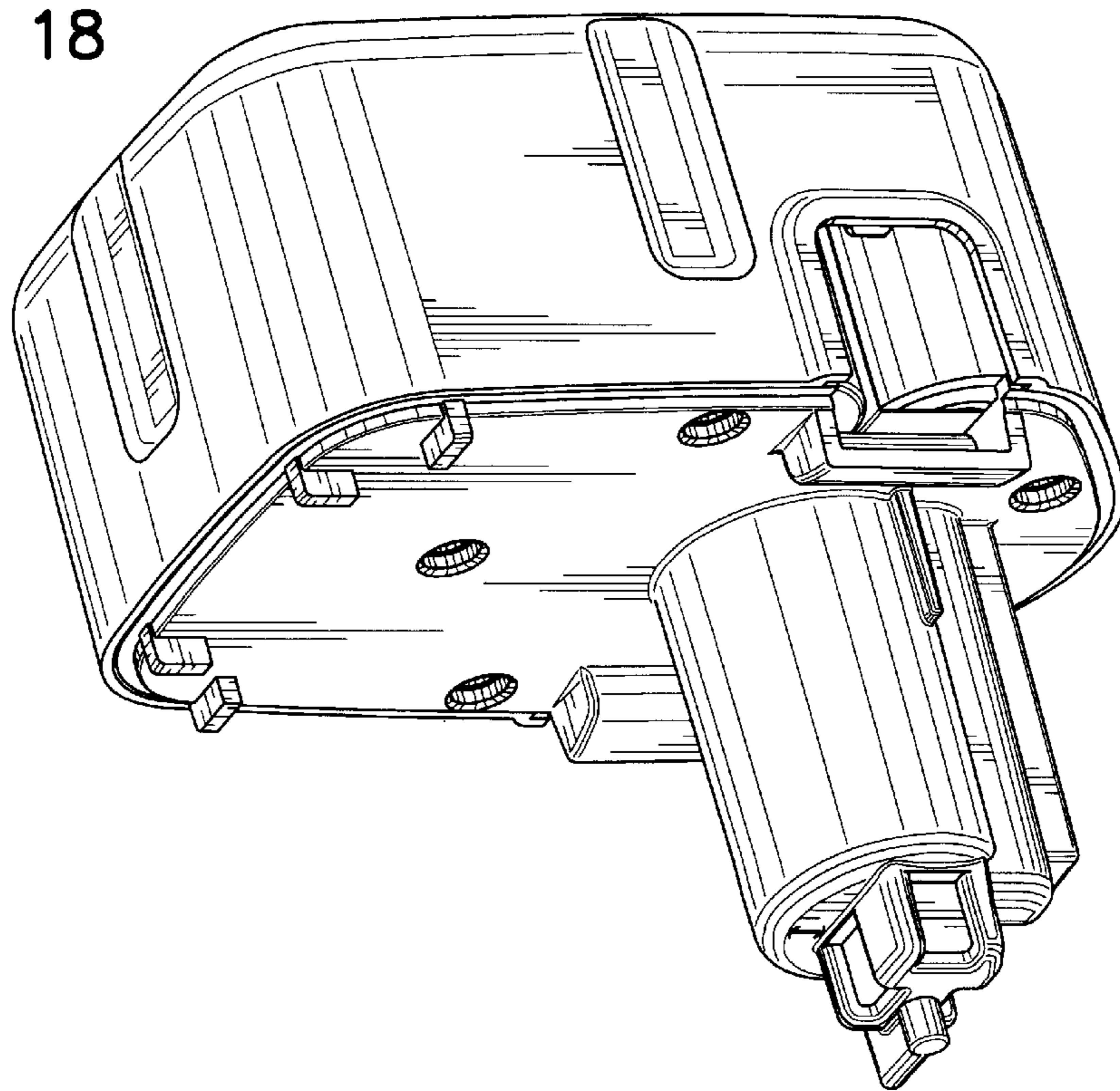


FIG. 19

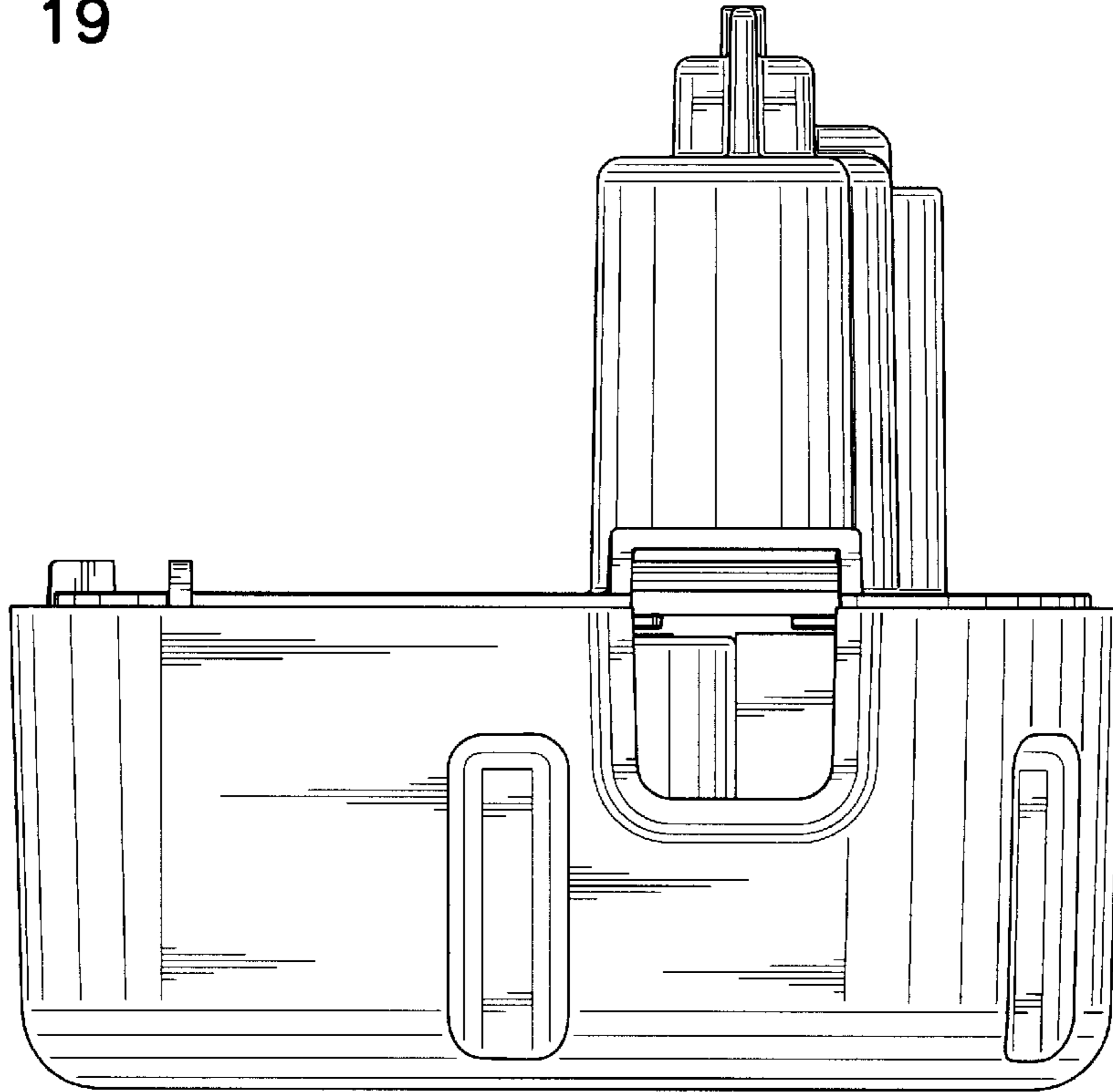


FIG. 20

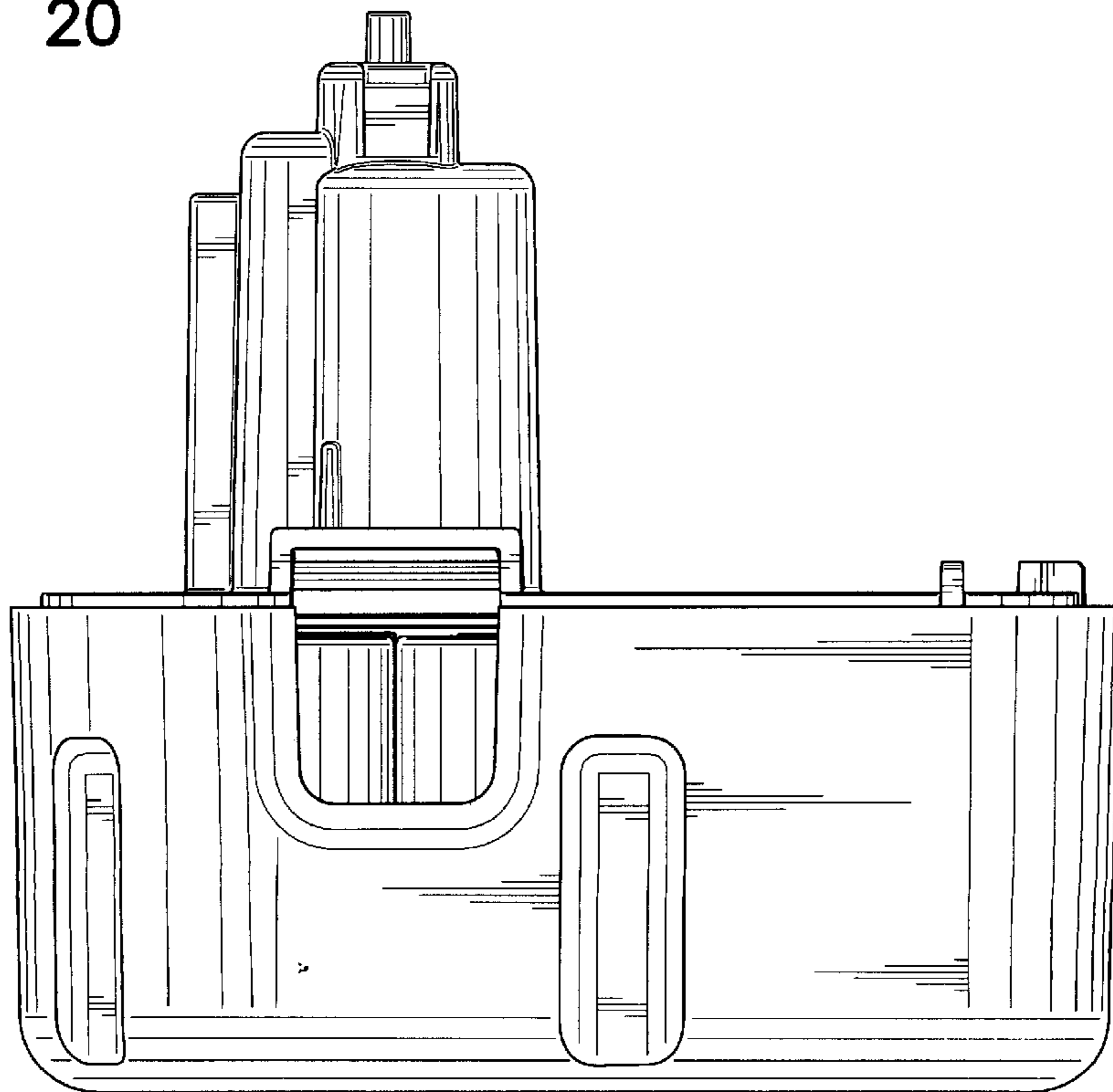


FIG. 21

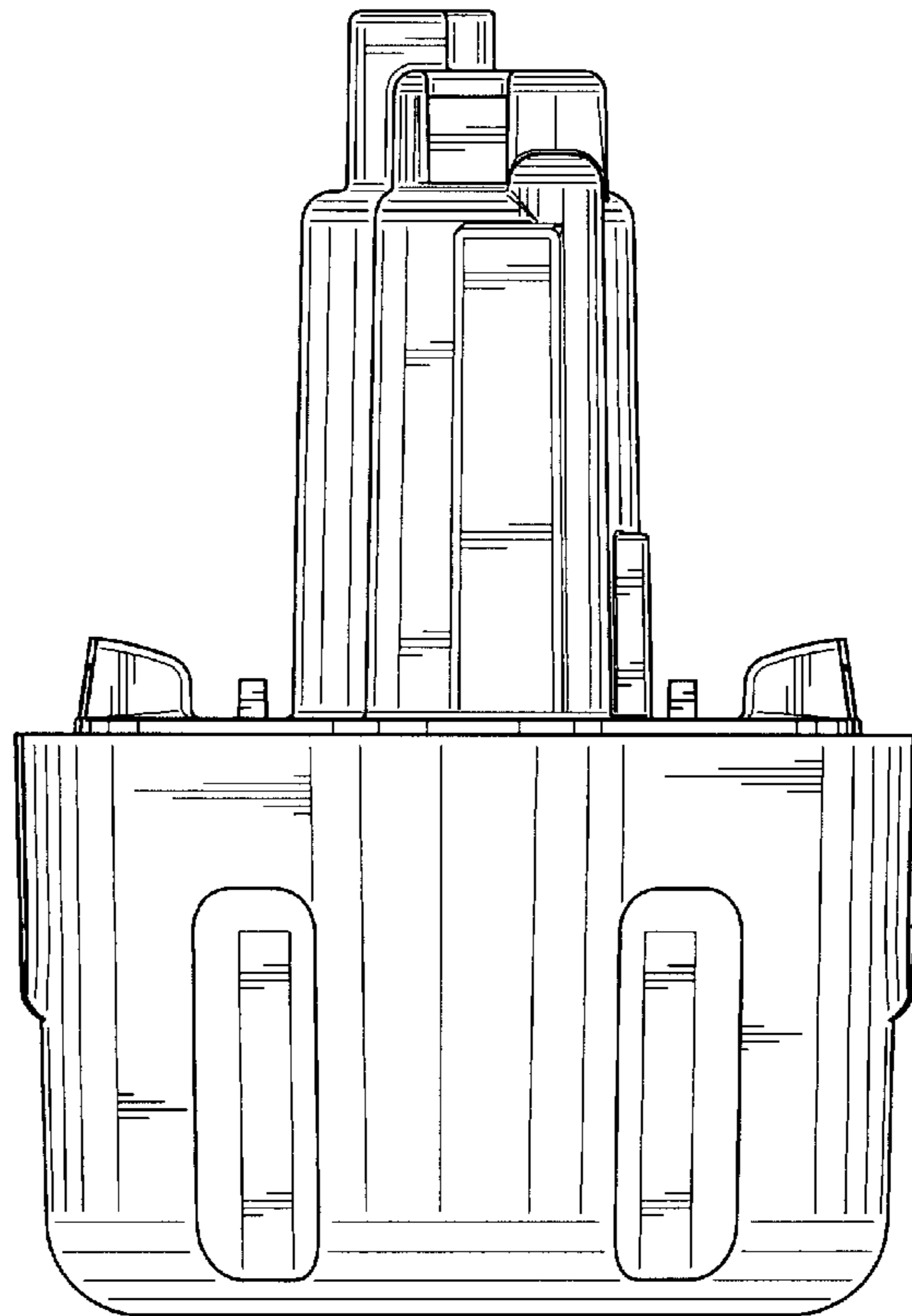


FIG. 22

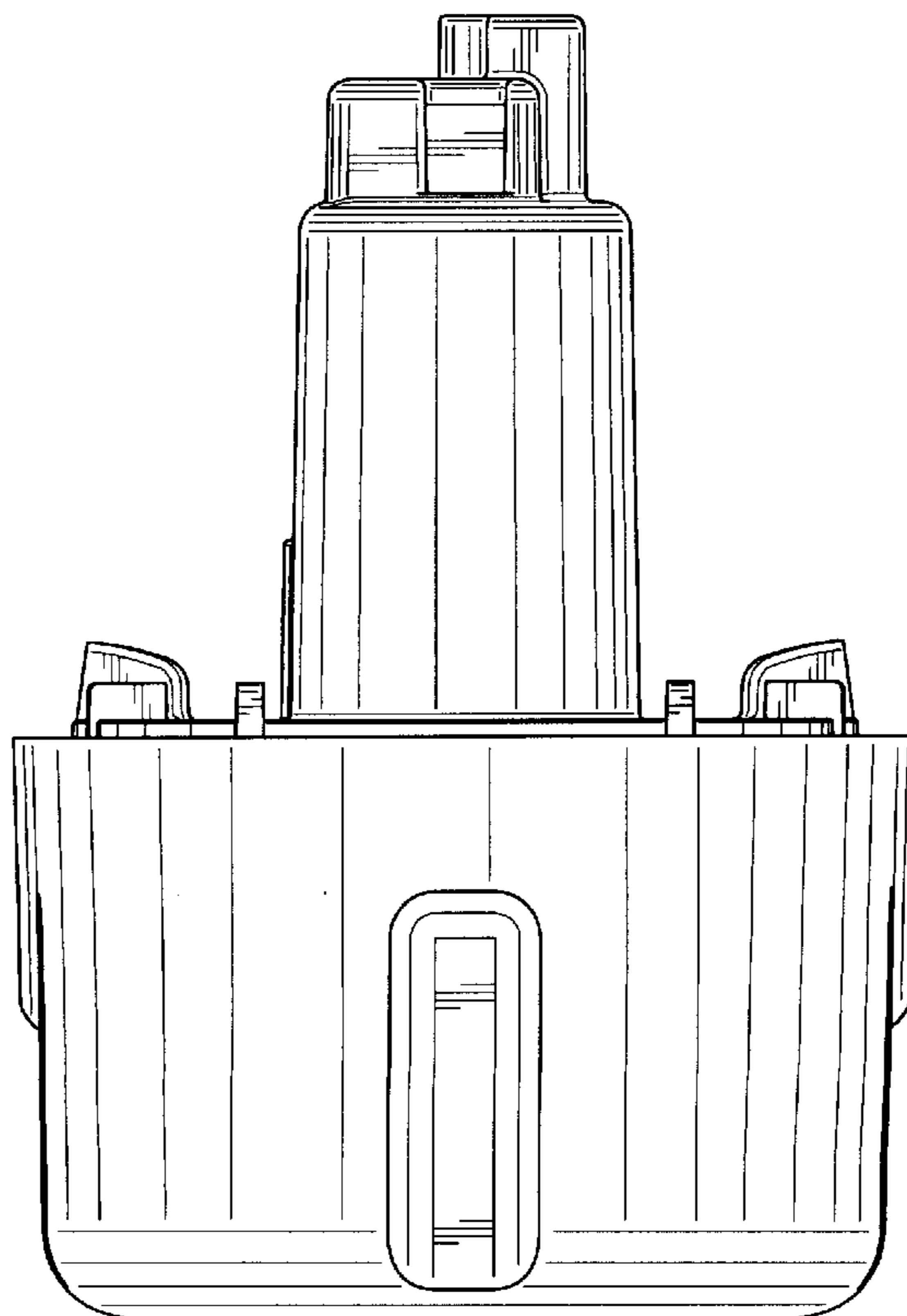


FIG. 23

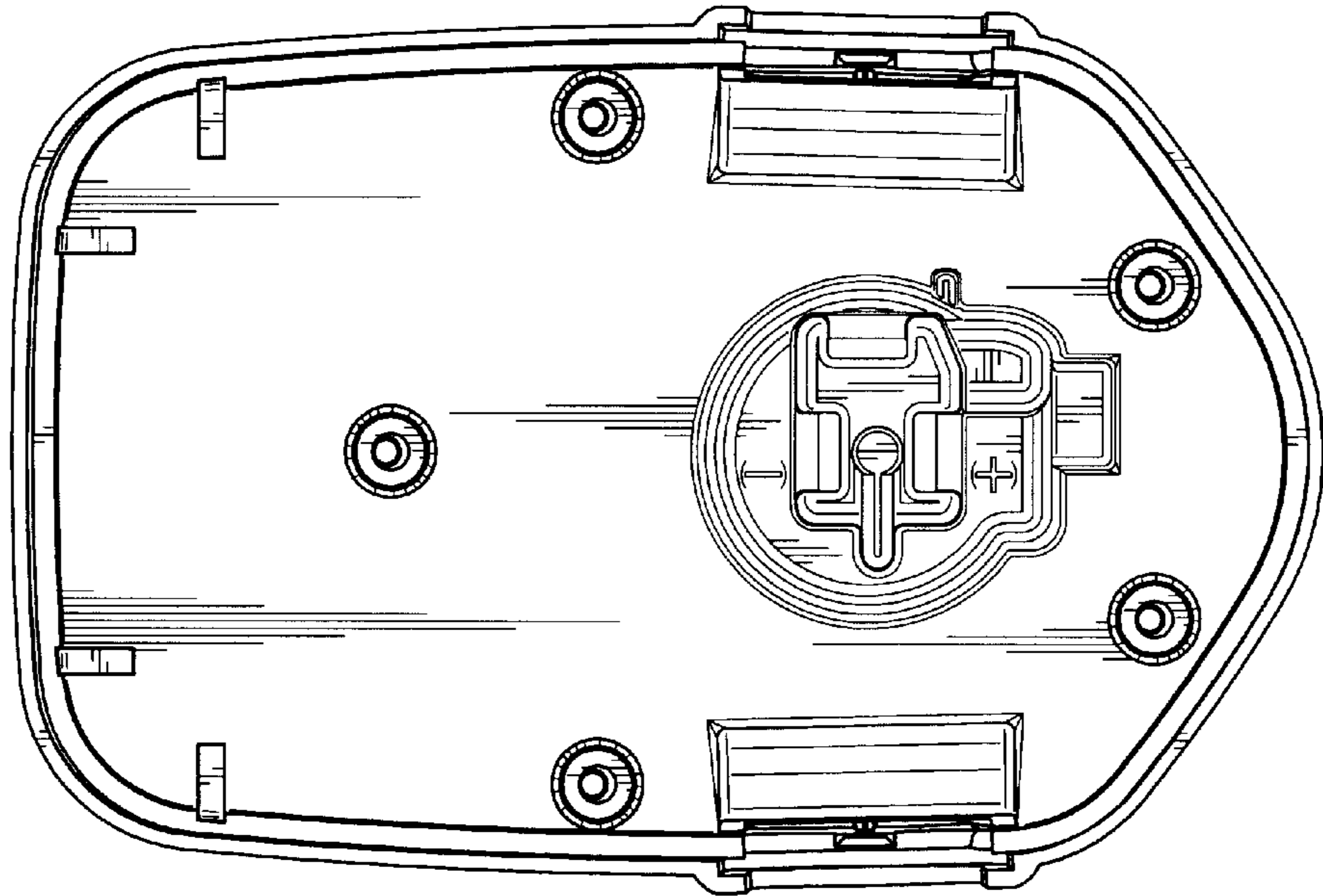


FIG. 24

