



US00D417646S

United States Patent [19]
Baumgartner

[11] **Patent Number: Des. 417,646**

[45] **Date of Patent: ** Dec. 14, 1999**

[54] **VEHICLE WHEEL FACE**

[75] Inventor: **Klaus Baumgartner**, Schenkenzell,
Germany

[73] Assignee: **BBS Kraftfahrzeugtechnik AG**,
Germany

[**] Term: **14 Years**

[21] Appl. No.: **29/069,448**

[22] Filed: **Apr. 1, 1997**

[30] **Foreign Application Priority Data**

Oct. 2, 1996 [XH] Hague Agreement DM/037771

[51] **LOC (6) Cl.** **12-16**

[52] **U.S. Cl.** **D12/211**

[58] **Field of Search** D12/204-213;
301/64.1, 65, 37.1

[56] **References Cited**

U.S. PATENT DOCUMENTS

D. 348,243 6/1994 Echazabel et al. D12/211

D. 350,932 9/1994 Echazabel et al. D12/211
D. 353,571 12/1994 Braungart et al. D12/211
D. 376,125 12/1996 Fikse D12/211
D. 394,838 6/1998 Suprihanto D12/211
D. 395,270 6/1998 Baumgartner et al. D12/211
D. 398,898 9/1998 Baumgartner et al. D12/211

Primary Examiner—Doris V. Coles
Assistant Examiner—Stacia Sinuik
Attorney, Agent, or Firm—Dick and Harris

[57] **CLAIM**

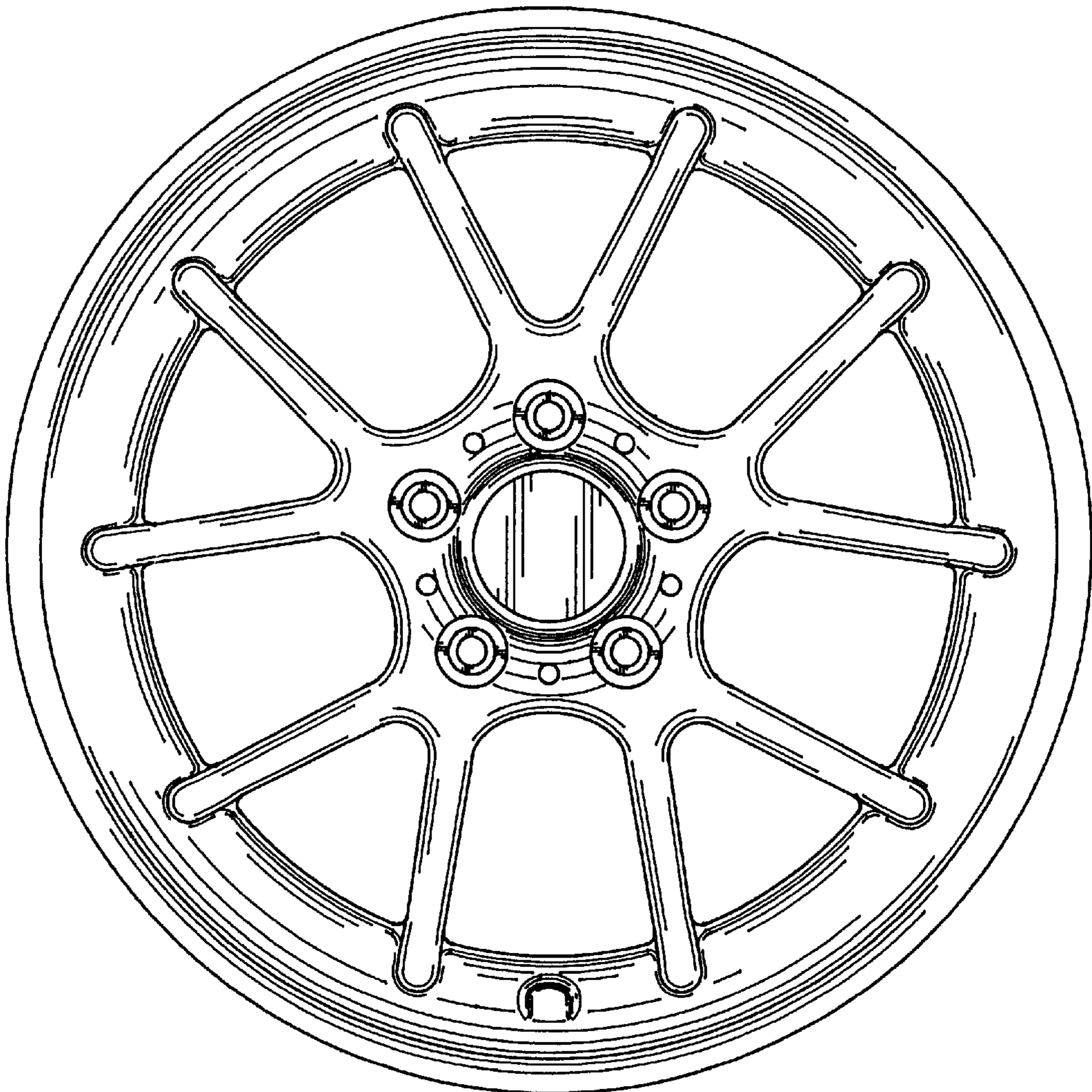
The ornamental design for a vehicle wheel face, as shown and described.

DESCRIPTION

FIG. 1 is a front elevation of the vehicle wheel face, showing my new ornamental design; and,

FIG. 2 is a front perspective view of the vehicle wheel face.

1 Claim, 2 Drawing Sheets



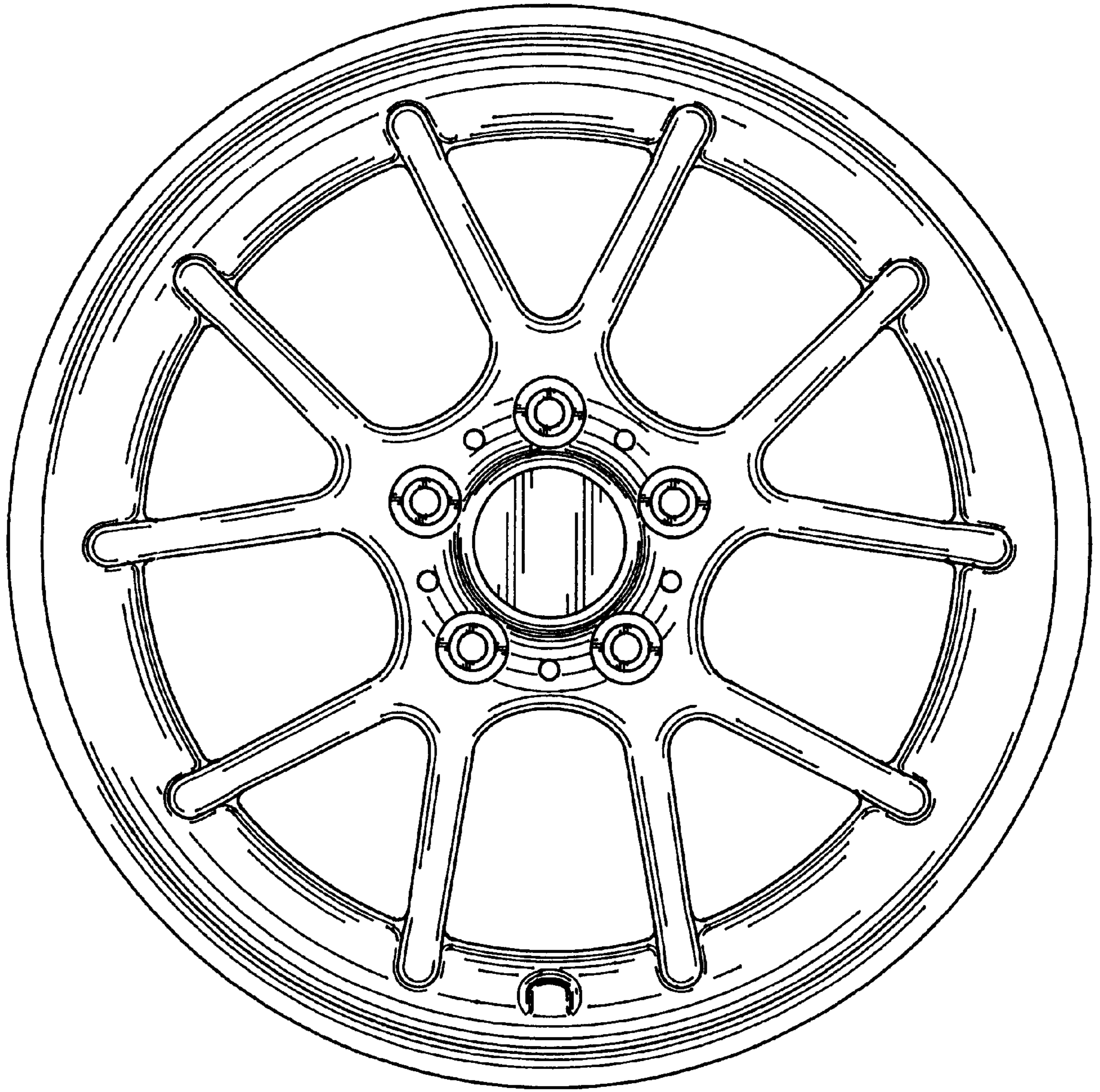


FIG. 1

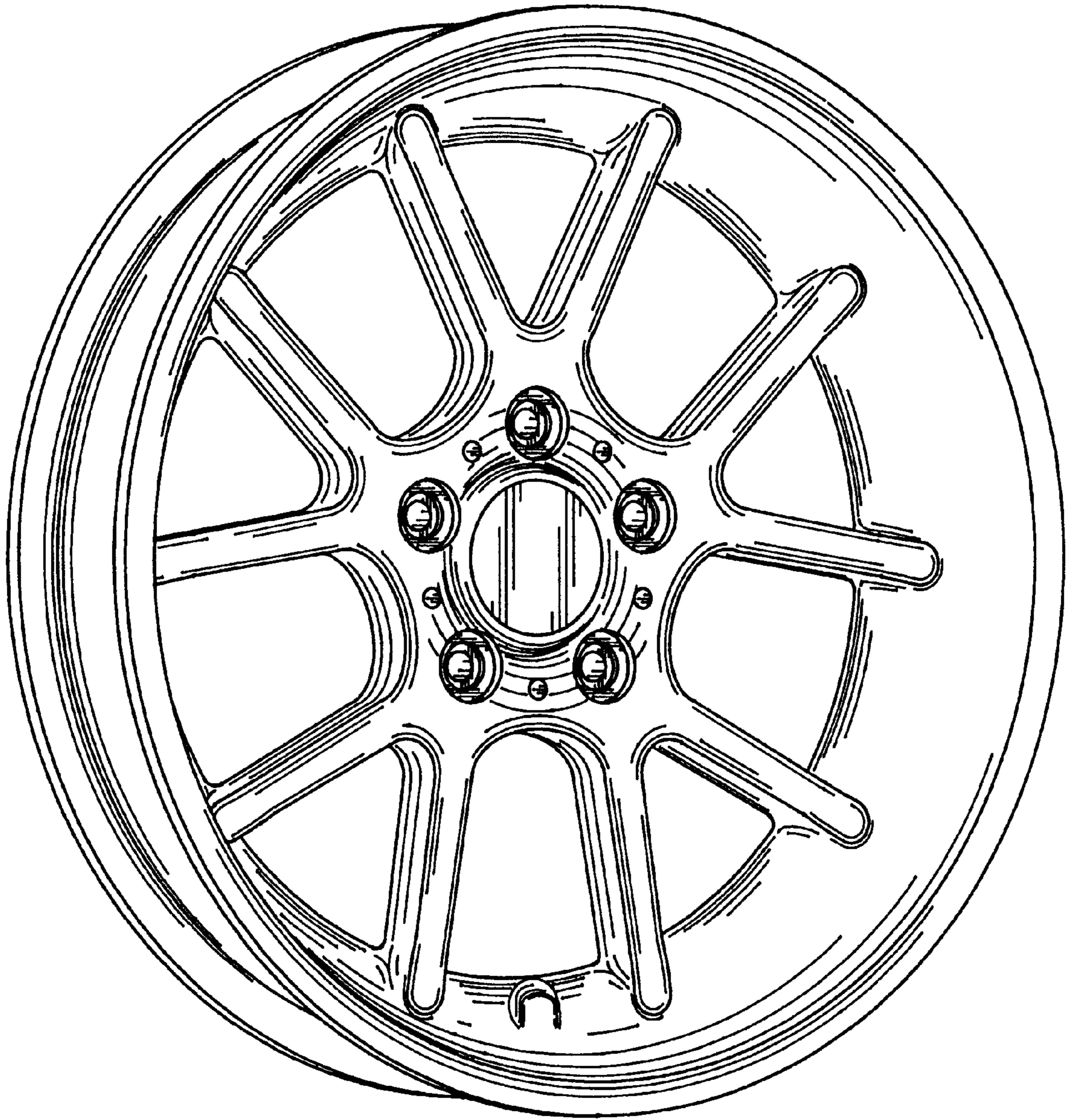


FIG. 2