



US00D417643S

United States Patent [19]
Huang

[11] **Patent Number: Des. 417,643**

[45] **Date of Patent: ** Dec. 14, 1999**

- [54] **EXHAUST STACK GUARD**
- [75] Inventor: **Nan Huang Huang**, Rancho Palos Verdes, Calif.
- [73] Assignee: **Grand General Accessories Manufacturing Inc.**, Compton, Calif.
- [**] Term: **14 Years**
- [21] Appl. No.: **29/085,236**
- [22] Filed: **Mar. 18, 1998**
- [51] **LOC (6) Cl.** **12-16**
- [52] **U.S. Cl.** **D12/181**
- [58] **Field of Search** D12/181, 190, D12/400; 180/68.1, 68.3, 69.24, 69.25; 280/770; 296/91, 136, 180.1, 180.2; D15/28

- D. 406,555 3/1999 Huang D12/181
- 2,582,914 1/1952 Reed 296/91
- 3,785,699 1/1974 Molaskey et al. 296/91 X
- 4,878,707 11/1989 Meyers 296/91

Primary Examiner—Doris V. Coles
Assistant Examiner—Stacia Sinuik
Attorney, Agent, or Firm—Thomas I. Rozsa; Tony D. Chen; Jerry Fong

[57] **CLAIM**

The ornamental design for an exhaust stack guard, as shown and described.

DESCRIPTION

FIG. 1 is a perspective view of an exhaust stack guard, showing my new design, shown in its position of use, it being understood that the broken line showing of the truck is for illustrative purposes only and forms no part of the claimed design;

FIG. 2 is an enlarged front elevational view thereof;

FIG. 3 is an enlarged rear elevational view thereof;

FIG. 4 is an enlarged left side elevational view thereof;

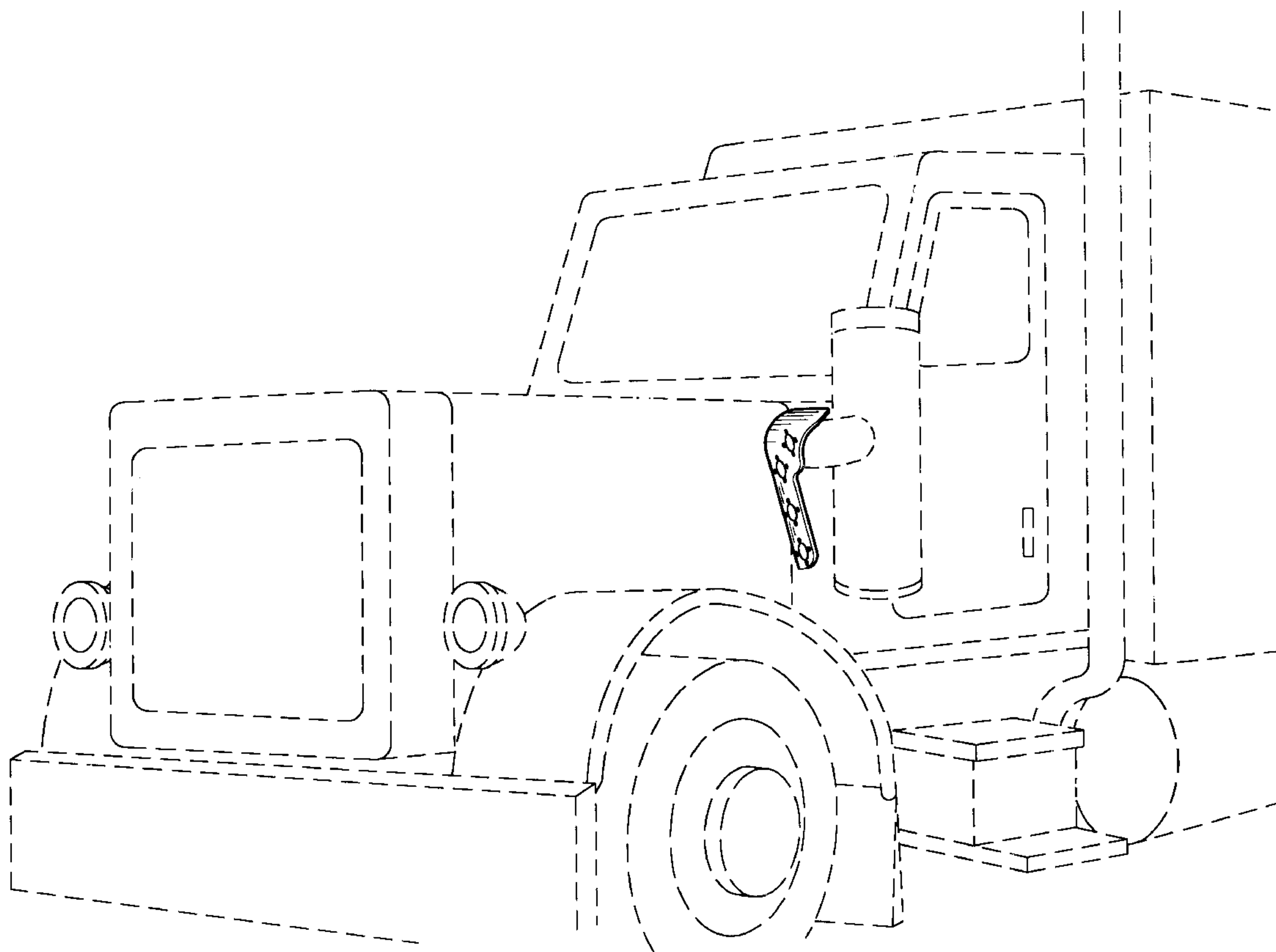
FIG. 5 is an enlarged right side elevational view thereof;

FIG. 6 is an enlarged top plan view thereof; and,

FIG. 7 is an enlarged bottom plan view thereof.

- [56] **References Cited**
- U.S. PATENT DOCUMENTS
- D. 189,747 2/1961 Shumaker D12/181
- D. 230,262 2/1974 McCarroll D12/181
- D. 243,001 1/1977 Anziano D12/181
- D. 246,644 12/1977 McCarroll D12/181
- D. 378,922 4/1997 Huffman D15/28
- D. 383,105 9/1997 Brys D12/181

1 Claim, 3 Drawing Sheets



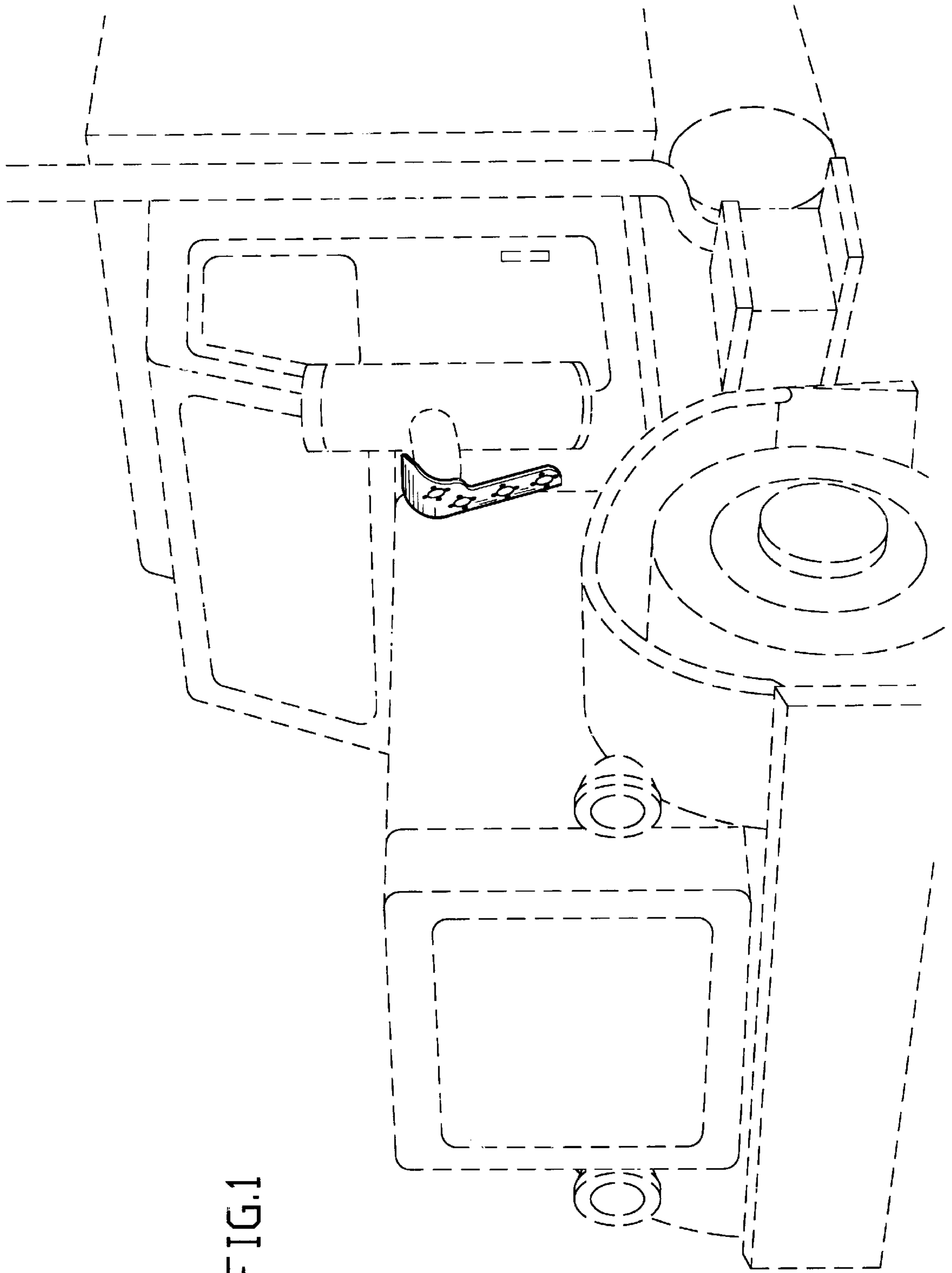


FIG. 1

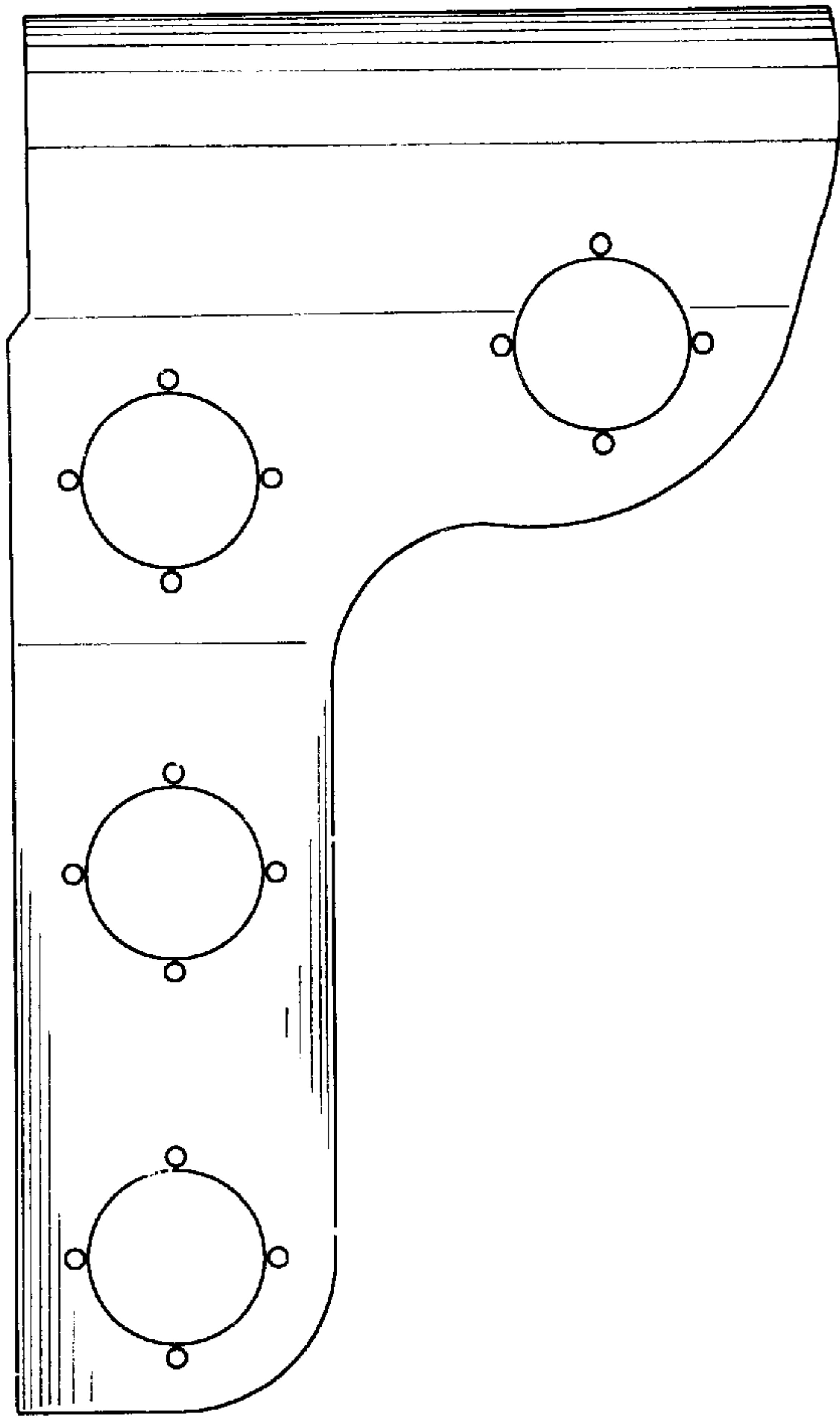


FIG. 2

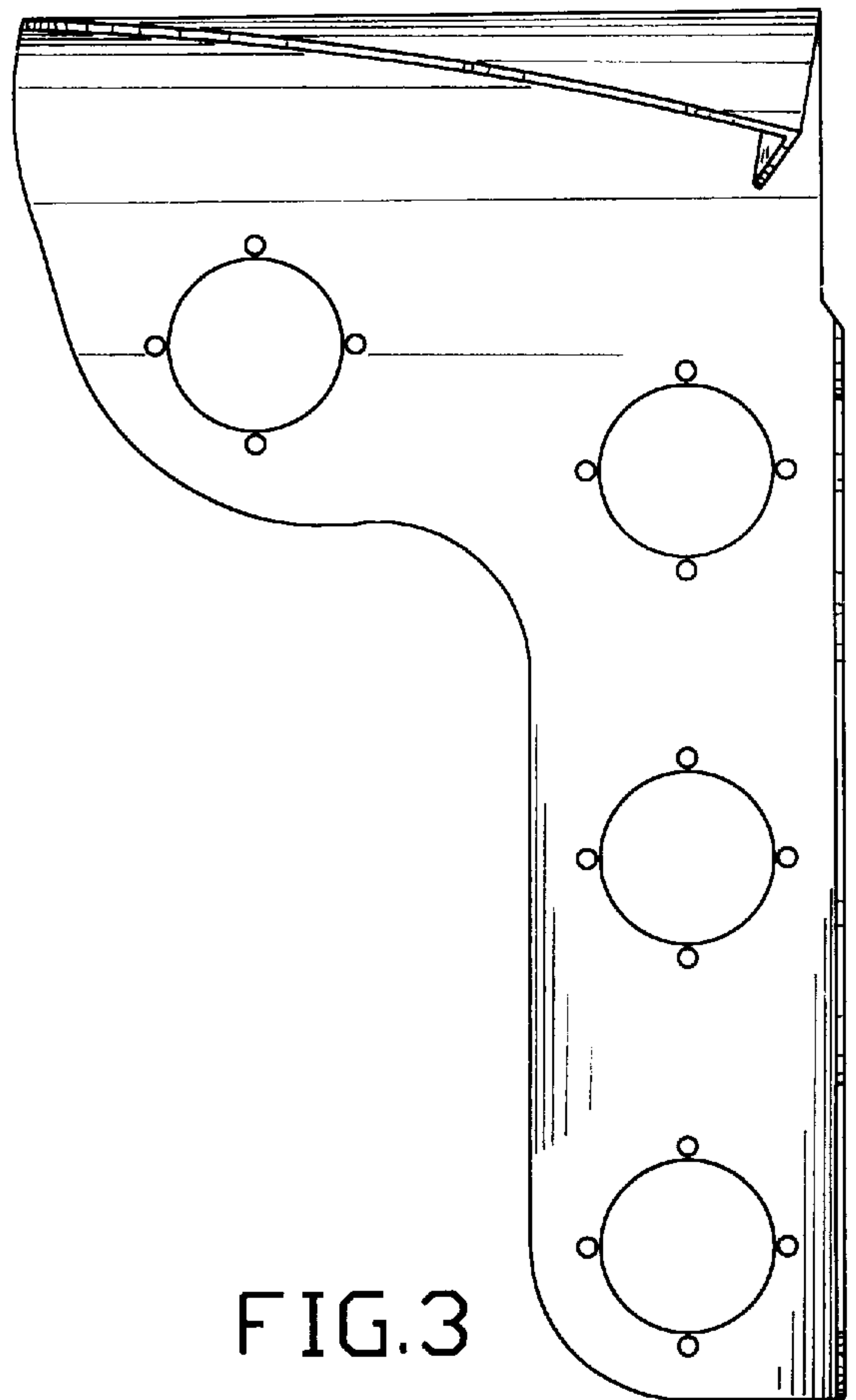


FIG. 3

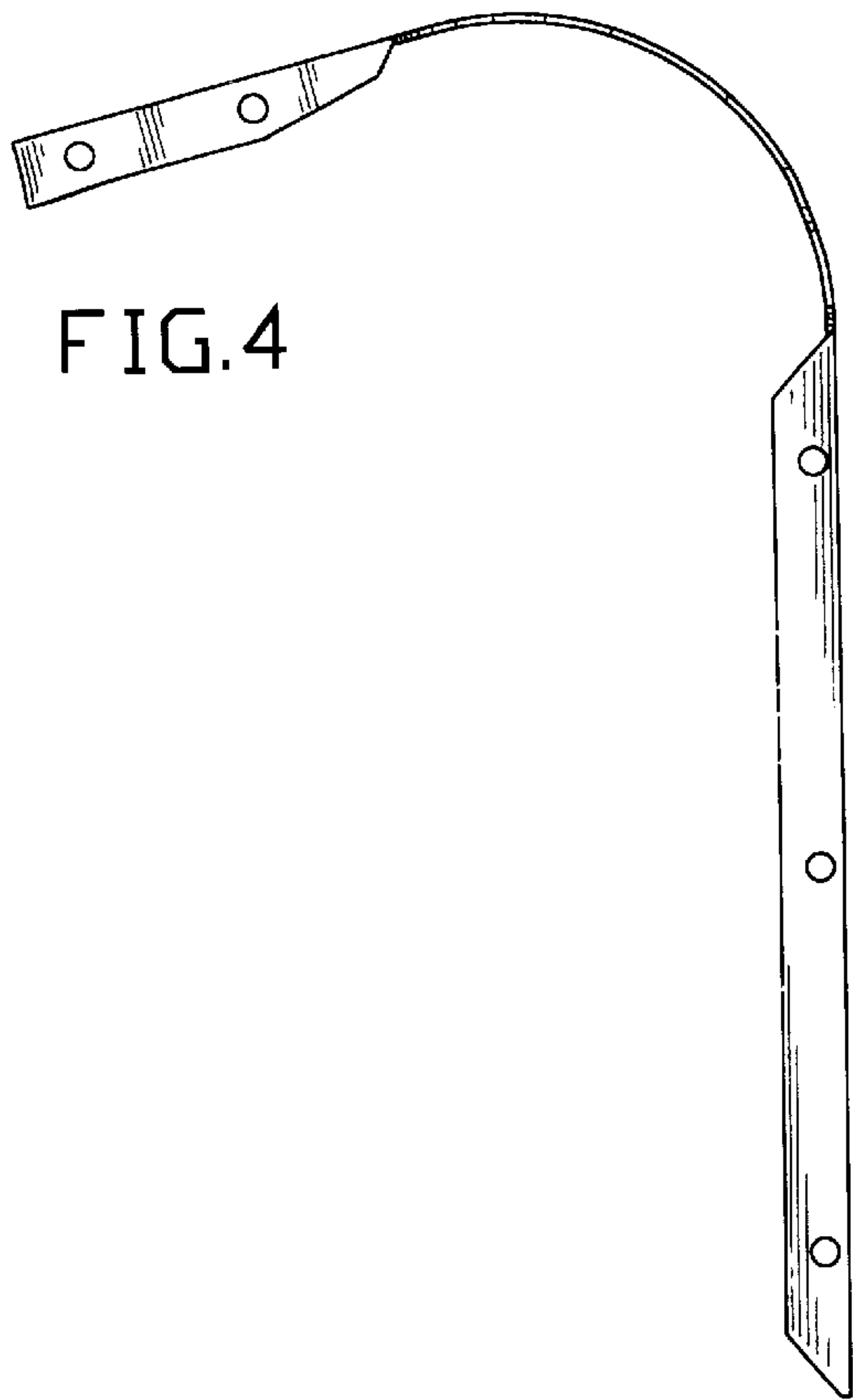


FIG. 4

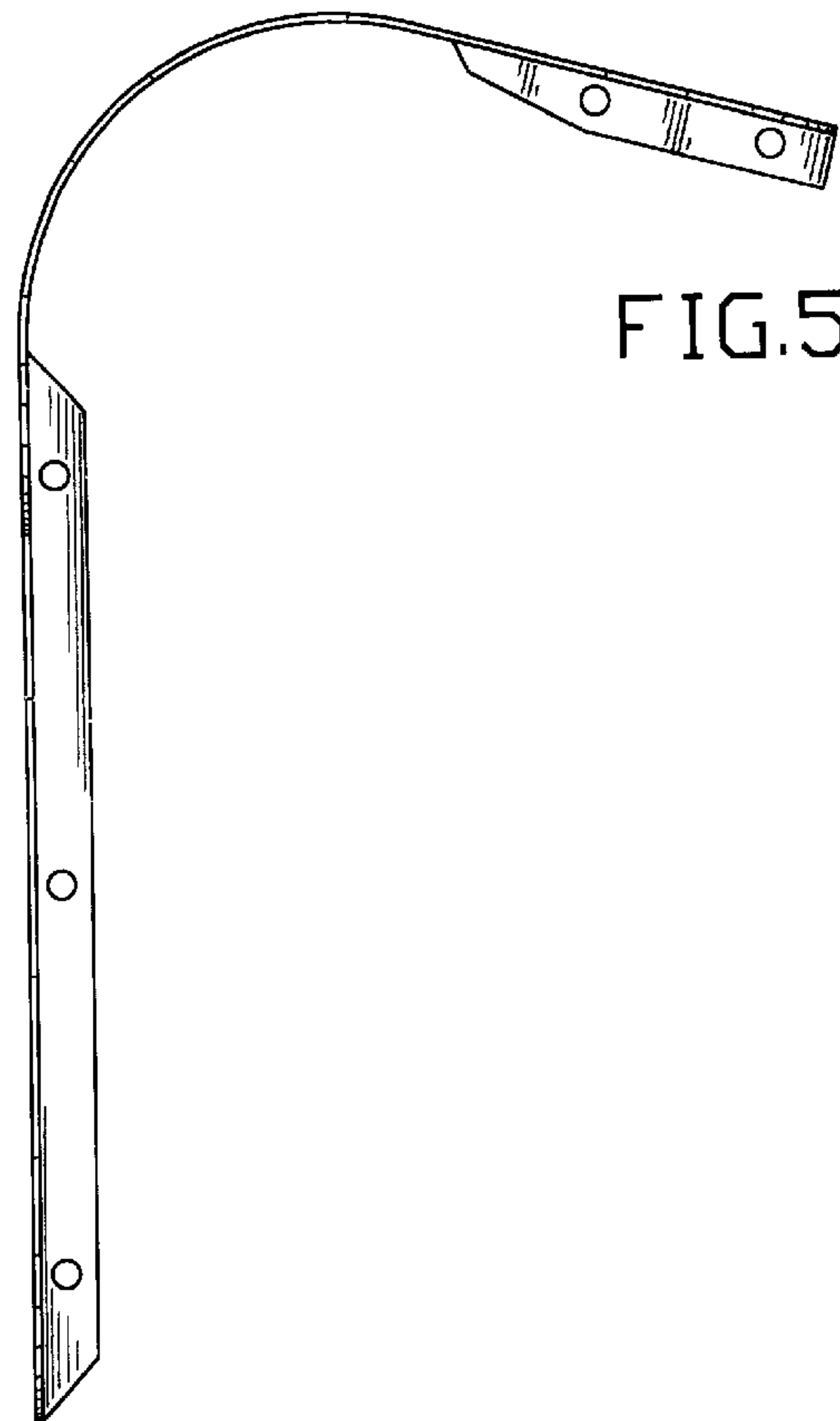


FIG. 5

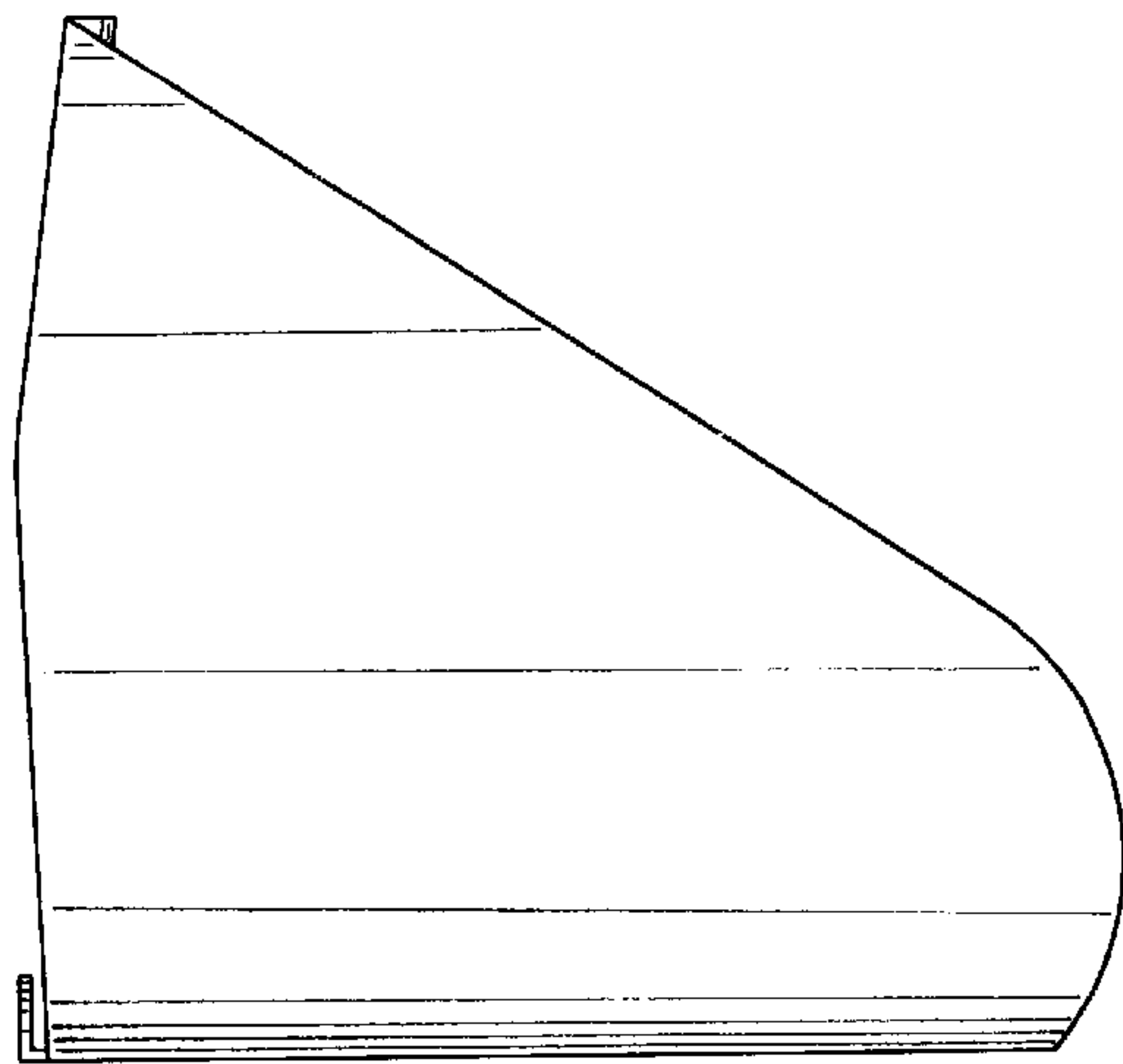


FIG. 6

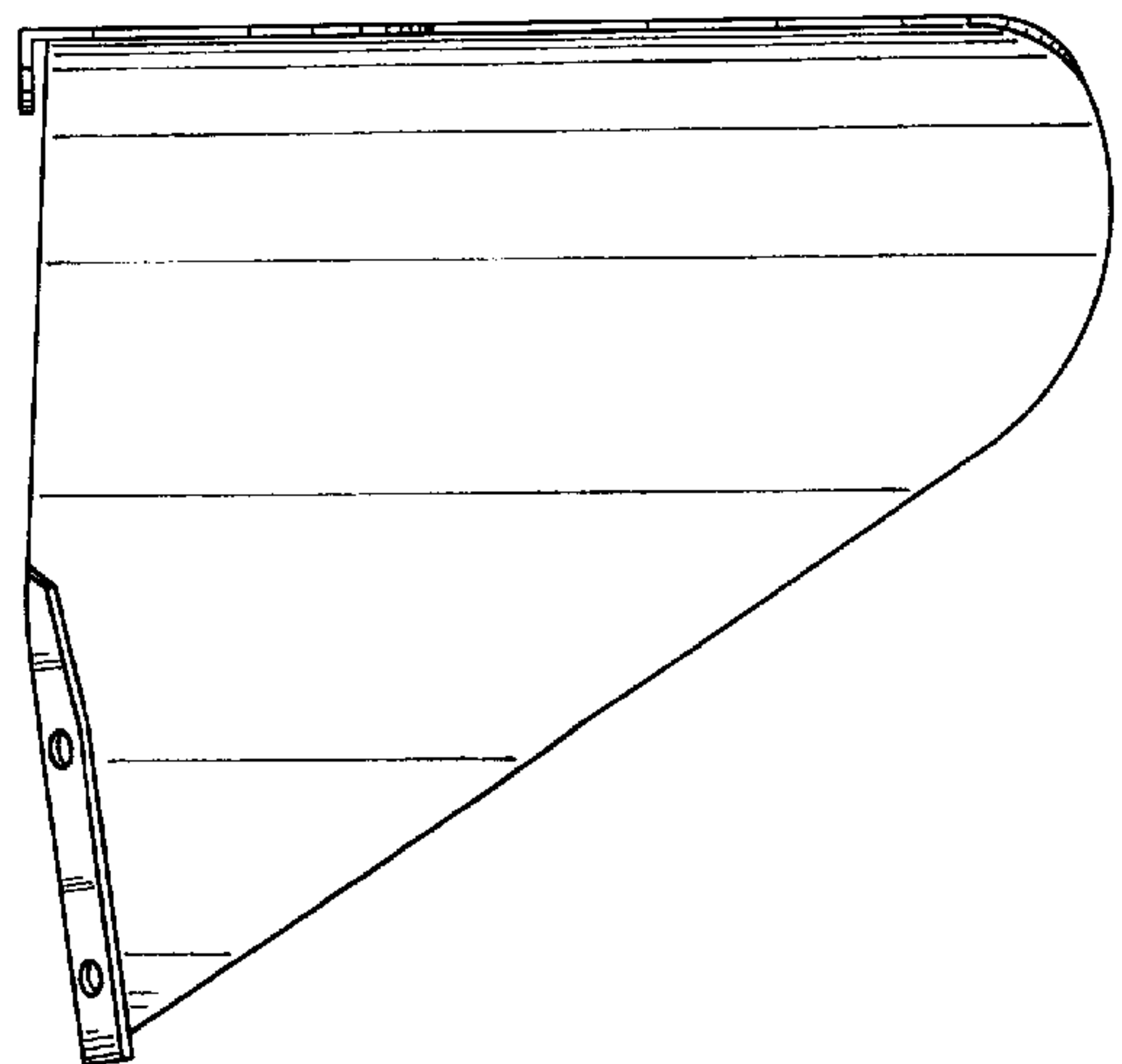


FIG. 7