



US00D417641S

**United States Patent** [19]  
**Saleen**

[11] **Patent Number: Des. 417,641**

[45] **Date of Patent: \*\* Dec. 14, 1999**

[54] **FRONT BUMPER FOR CUSTOMIZED AUTOMOBILE BODY**

5,180,629 1/1993 Terada et al. .... 293/102 X  
5,306,056 4/1994 Vogelgesang ..... 293/132 X

[75] Inventor: **Stephen M. Saleen**, Diamond Bar, Calif.

*Primary Examiner*—Alan P. Douglas  
*Assistant Examiner*—Lavone D. Tabor  
*Attorney, Agent, or Firm*—Lyon & Lyon LLP

[73] Assignee: **Saleen Performance, Inc.**, Irvine, Calif.

[57] **CLAIM**

[\*\*] Term: **14 Years**

The ornamental design for a front bumper for customized automobile body, as shown and described.

[21] Appl. No.: **29/040,377**

**DESCRIPTION**

[22] Filed: **Jun. 16, 1995**

FIG. 1 is a perspective view of my front bumper for customized automobile body;  
FIG. 2 is a left side elevational view thereof with the mating body part portion of an automobile being shown in phantom;  
FIG. 3 is a right side elevational view thereof with the automobile mating part portion being shown in phantom;  
FIG. 4 is a top view thereof; and,  
FIG. 5 is a front view thereof.  
The broken lines are for illustrative purposes only and form no part of the claimed design.

[51] **LOC (6) Cl.** ..... **12-16**

[52] **U.S. Cl.** ..... **D12/169**

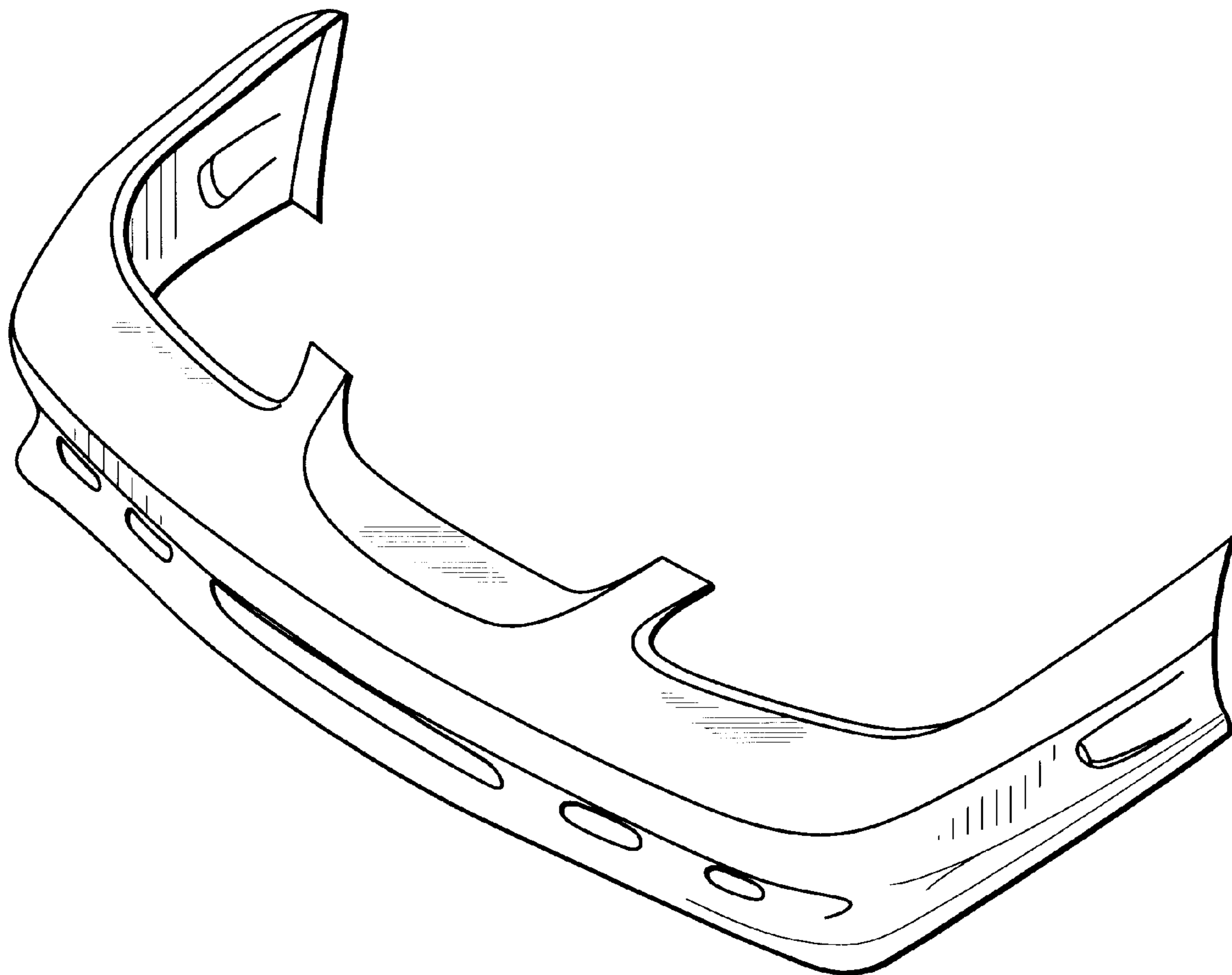
[58] **Field of Search** ..... D12/167, 169, D12/181; 293/102, 120, 126, 132; 296/180.1

[56] **References Cited**

**U.S. PATENT DOCUMENTS**

D. 307,565 5/1990 Sasaoka ..... D12/169  
4,483,559 11/1984 Lewis et al. .... 293/126

**1 Claim, 2 Drawing Sheets**



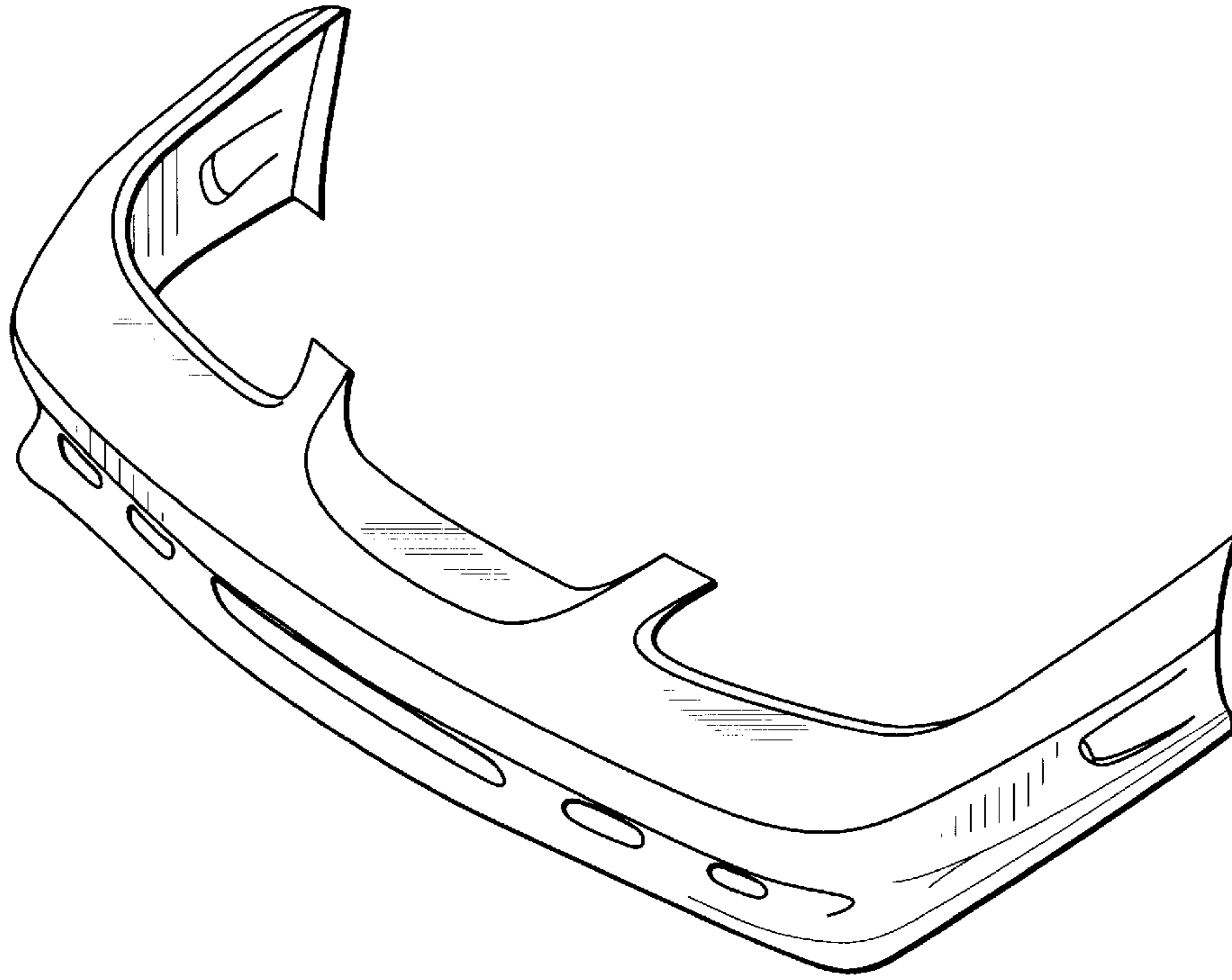


FIG. 1

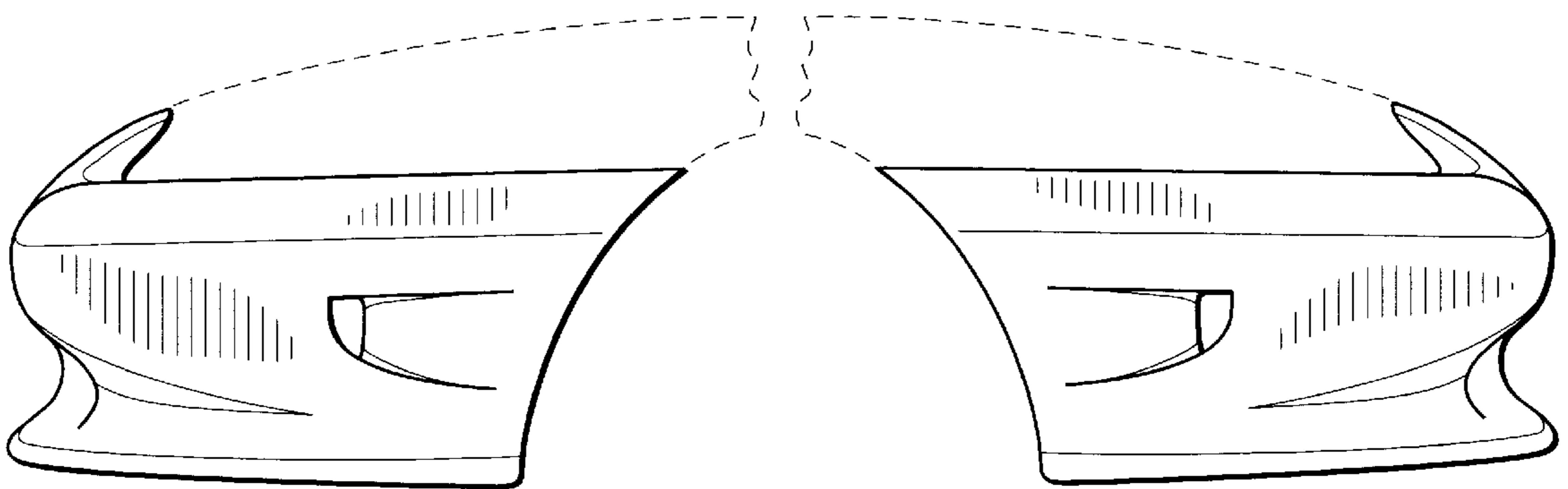


FIG. 2

FIG. 3

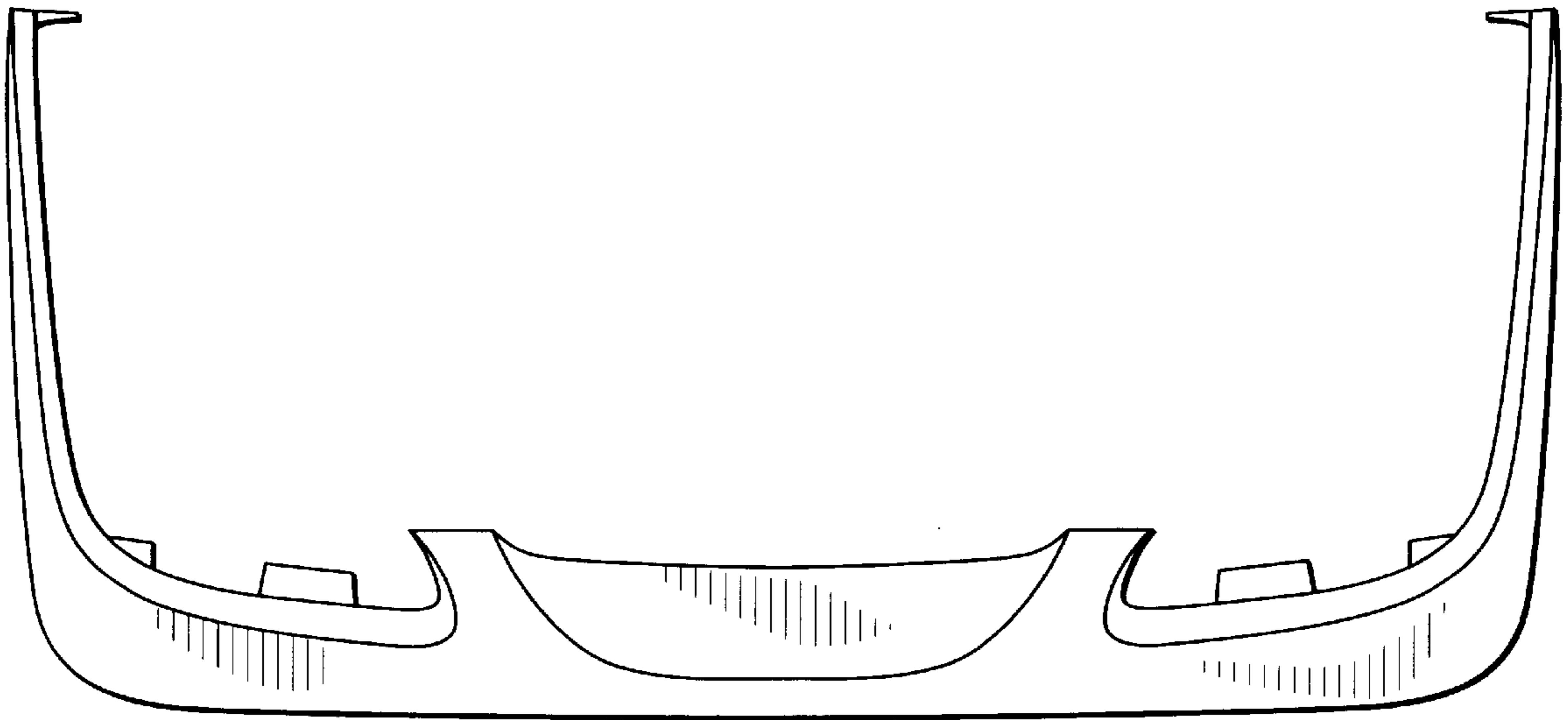


FIG. 4

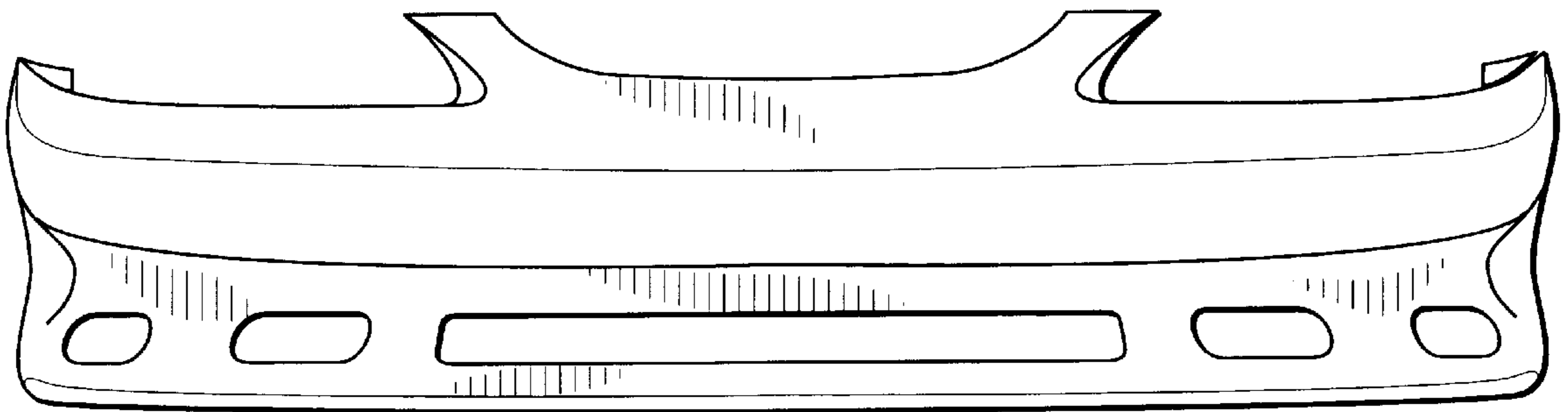


FIG. 5