



US00D417636S

United States Patent [19]

[11] **Patent Number: Des. 417,636**

Ambar

[45] **Date of Patent: ** Dec. 14, 1999**

[54] **JEWELRY SETTING FOR EARRING,
FINGER RING OR PENDANT**

D. 381,925 8/1997 Bergannini D11/42
D. 398,875 9/1998 Kithari D11/41
5,419,159 5/1995 Muller 63/28

[75] Inventor: **Betzalel Ambar**, Encino, Calif.

Primary Examiner—Cathy Anne MacCormac
Attorney, Agent, or Firm—Stoll, Miskin, Previto & Badie;
Howard C. Miskin; Gloria Tsui-Yip

[73] Assignee: **Ambar Diamonds, Inc.**, Los Angeles,
Calif.

[**] Term: **14 Years**

[57] CLAIM

[21] Appl. No.: **29/084,448**

The ornamental design for a jewelry setting for earring,
finger ring or pendant, as shown and described.

[22] Filed: **Mar. 2, 1998**

DESCRIPTION

[51] **LOC (6) Cl.** **11-01**

[52] **U.S. Cl.** **D11/40; D11/79**

[58] **Field of Search** D11/40-52, 59-68,
D11/74-78, 3, 96-97, 79; 63/1.11, 12-13,
18-19, 21, 38, 26-28, 14.1-14.2, 3-4

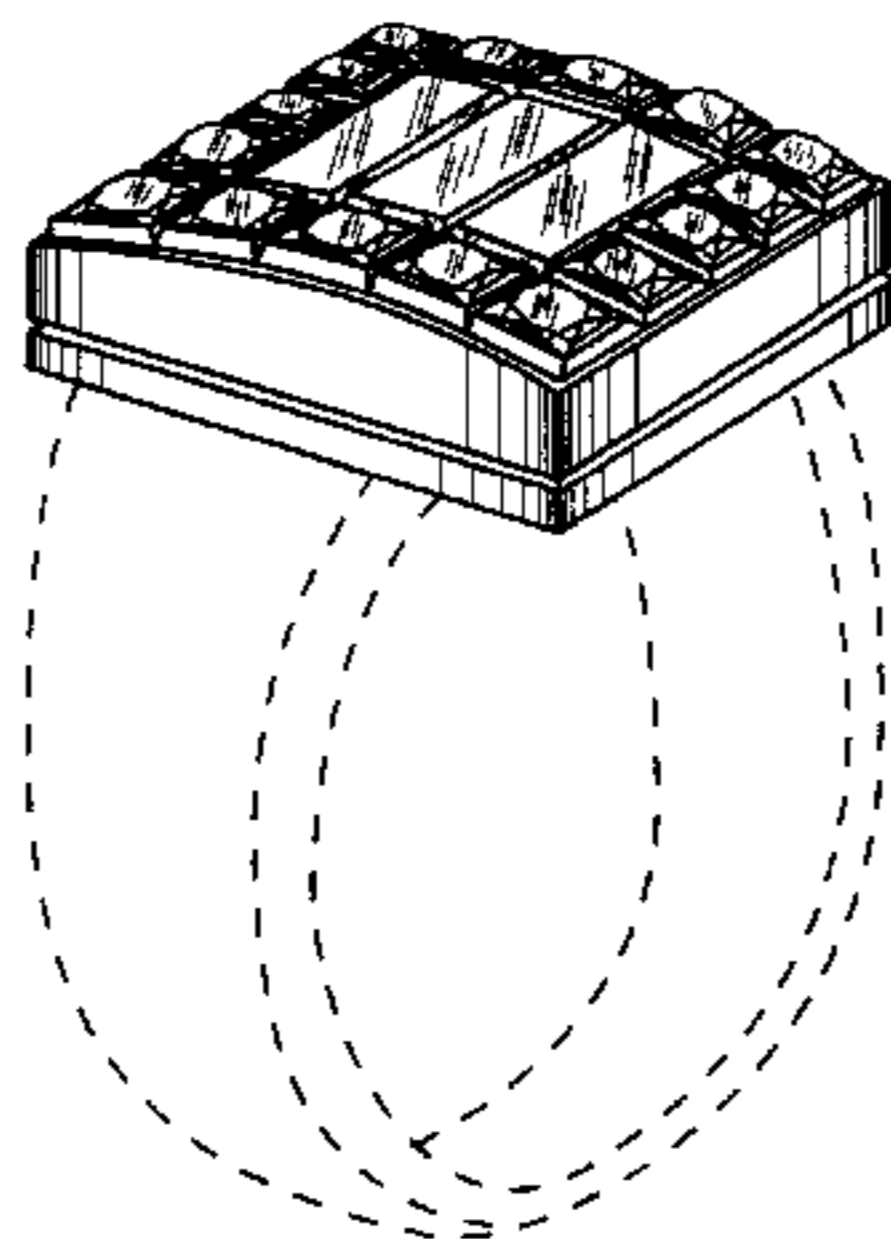
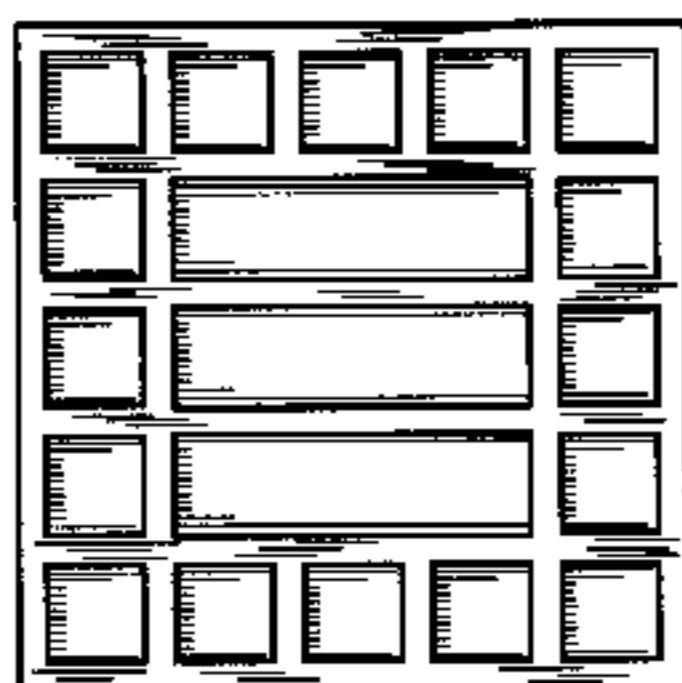
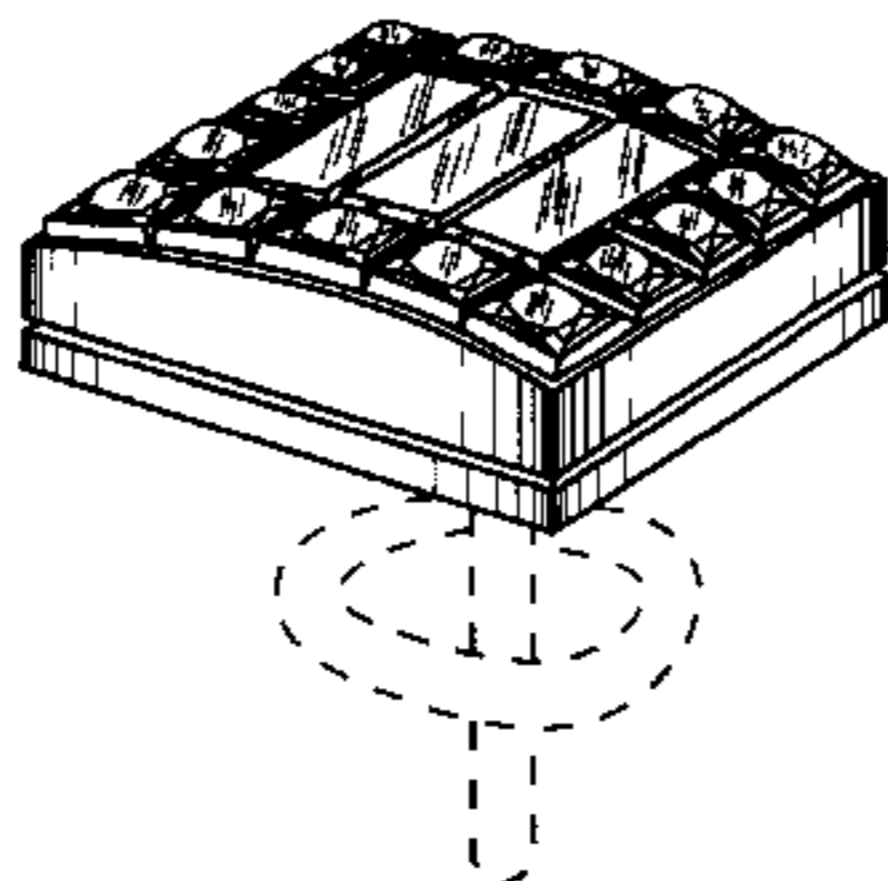
FIG. 1 is a perspective view of a jewelry setting for an earring showing my new design;
FIG. 2 is a front elevational view;
FIG. 3 is a rear elevational view;
FIG. 4 is a left side view;
FIG. 5 is a right side view;
FIG. 6 is a top plan view;
FIG. 7 is a bottom plan view;
FIG. 8 is a perspective view of a second embodiment of FIG. 1 showing the jewelry setting for a ring; and,
FIG. 9 is a top plan view of a third embodiment of FIG. 1 showing the jewelry setting for a pendant.
The broken lines in FIGS. 1, 2, 8 and 9 are for purposes of illustration only and form no part of the claimed design.

[56] References Cited

U.S. PATENT DOCUMENTS

D. 137,311 2/1944 Rubel .
D. 246,357 11/1977 Durante D11/40
D. 259,109 5/1981 Murphy D11/75
D. 308,651 6/1990 Bulgari D11/42
D. 315,320 3/1991 Bulgari D11/40
D. 315,699 3/1991 Bulgari D11/42
D. 315,875 4/1991 Bulgari D11/43
D. 379,601 6/1997 Itzkowitz D11/40

1 Claim, 3 Drawing Sheets



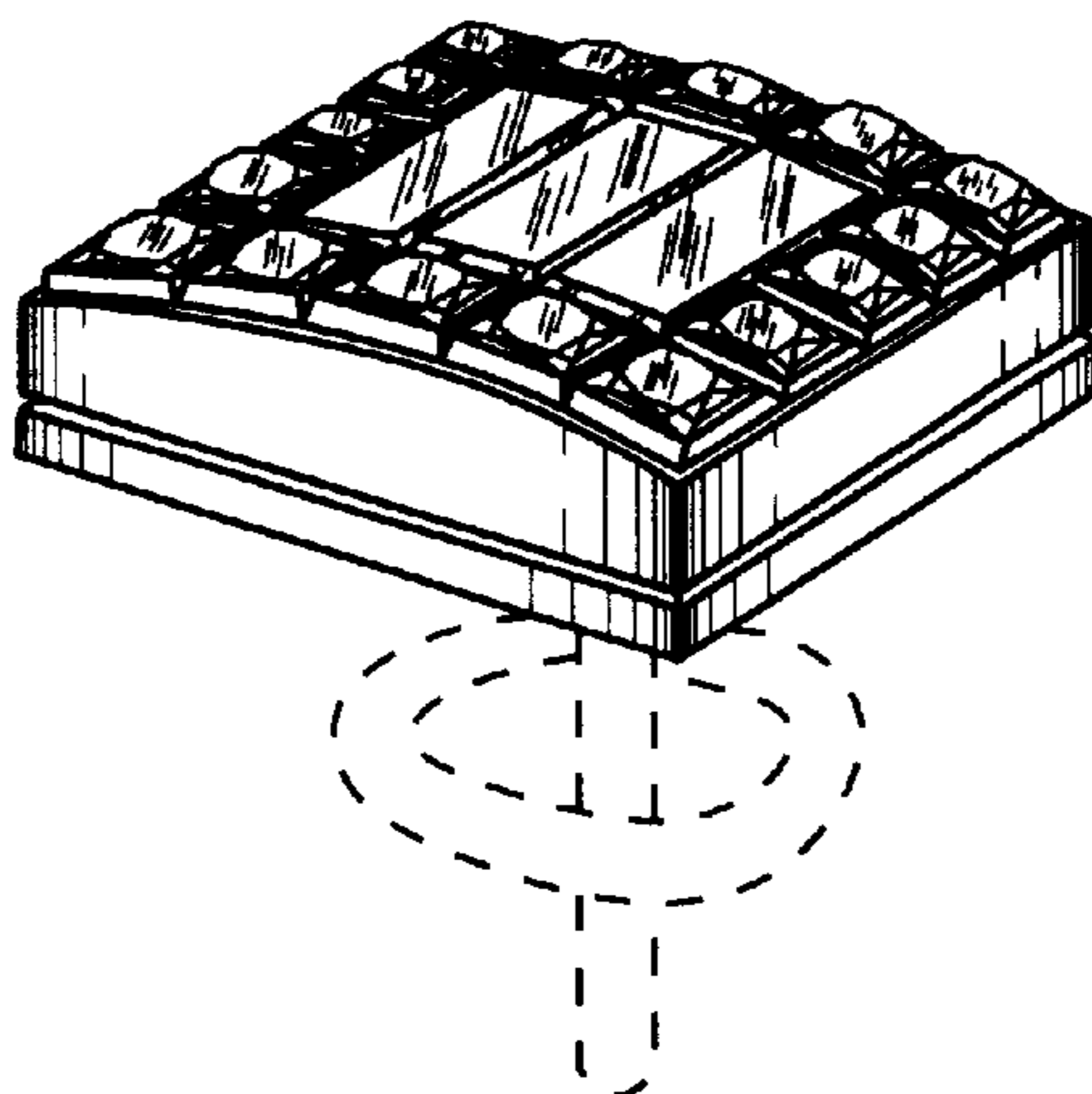


FIG. 1

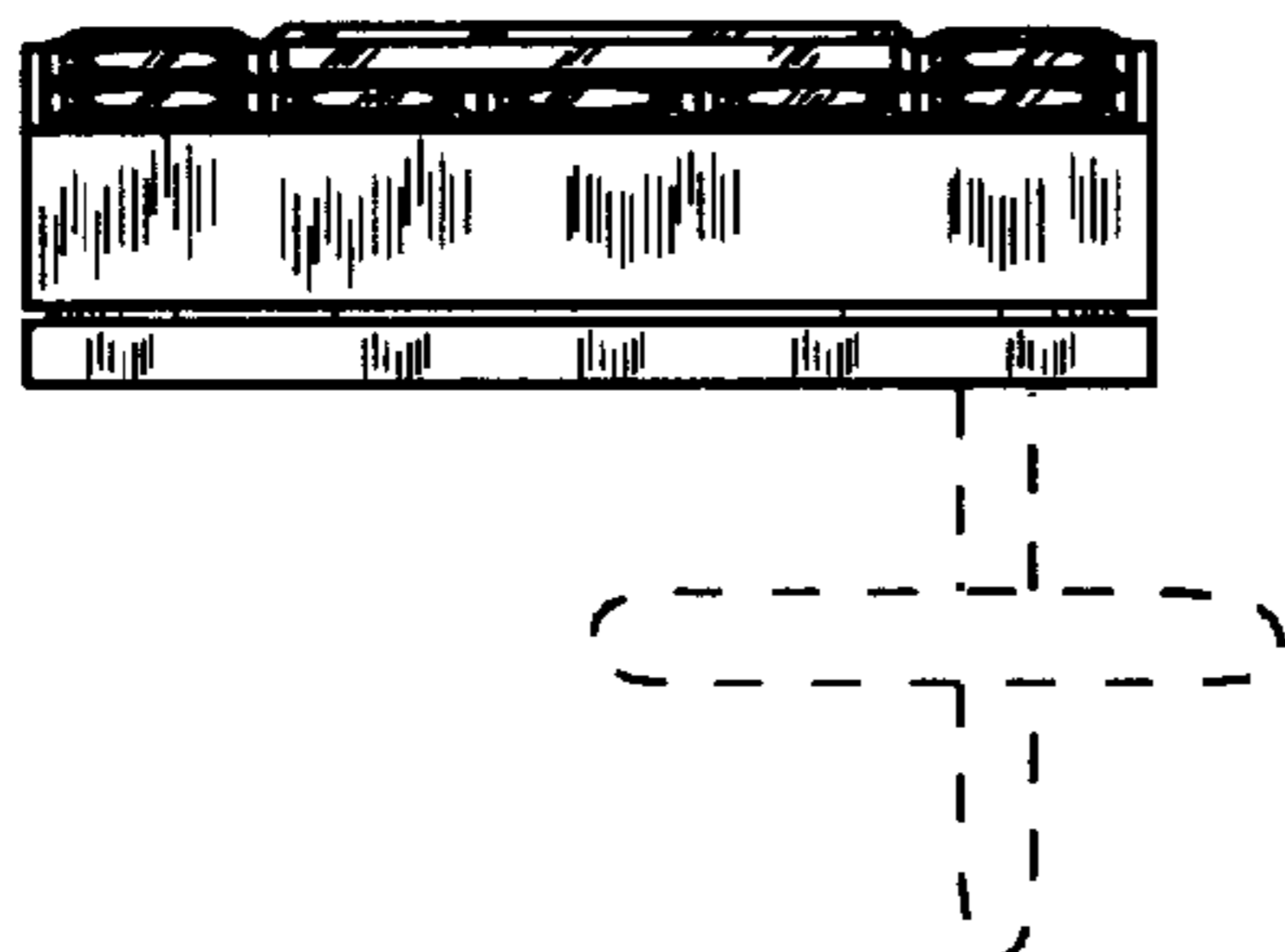


FIG. 2

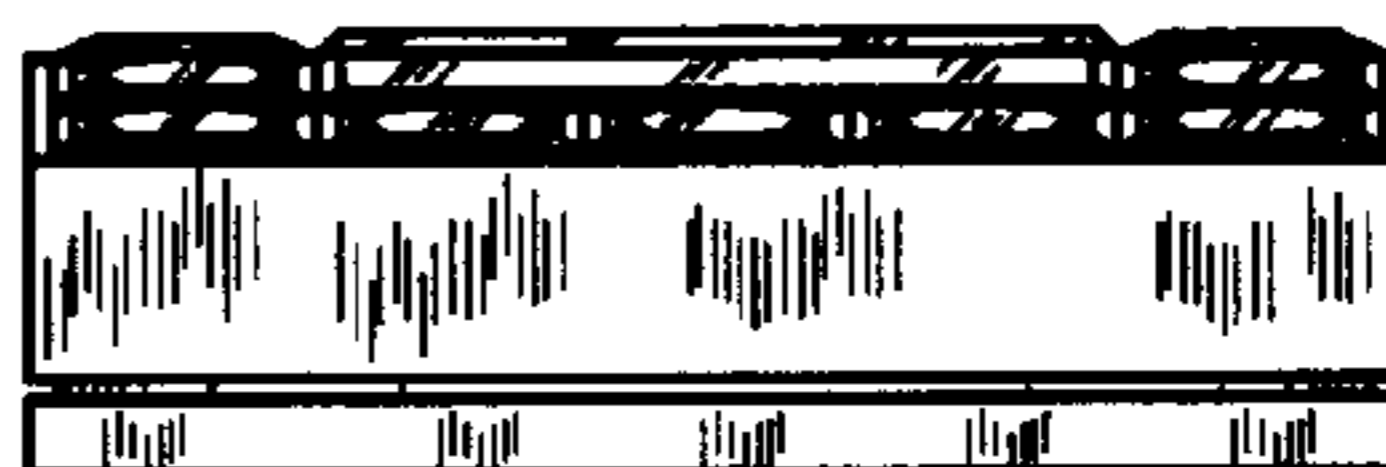


FIG. 3



FIG. 4



FIG. 5

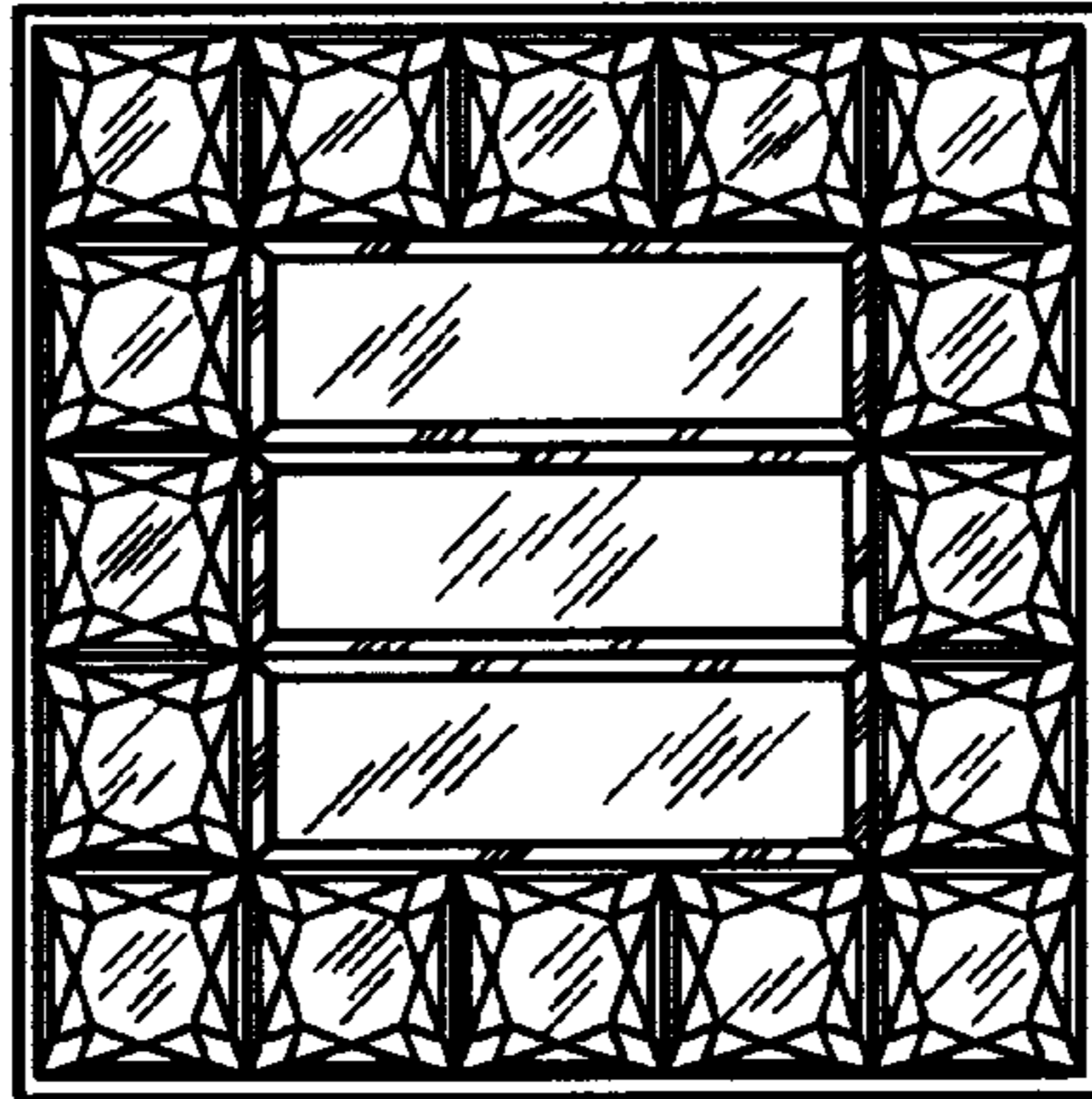


FIG. 6

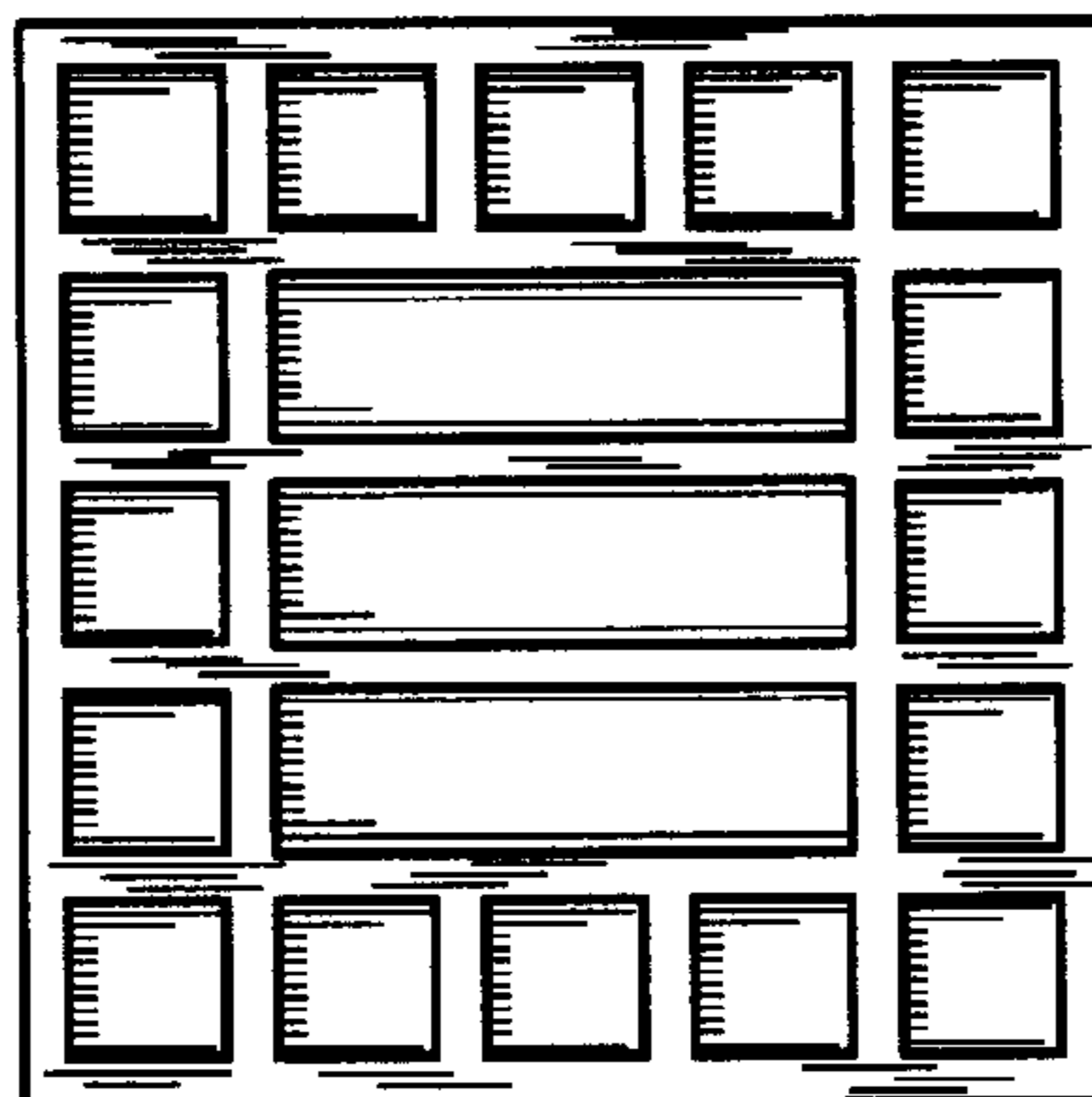


FIG. 7

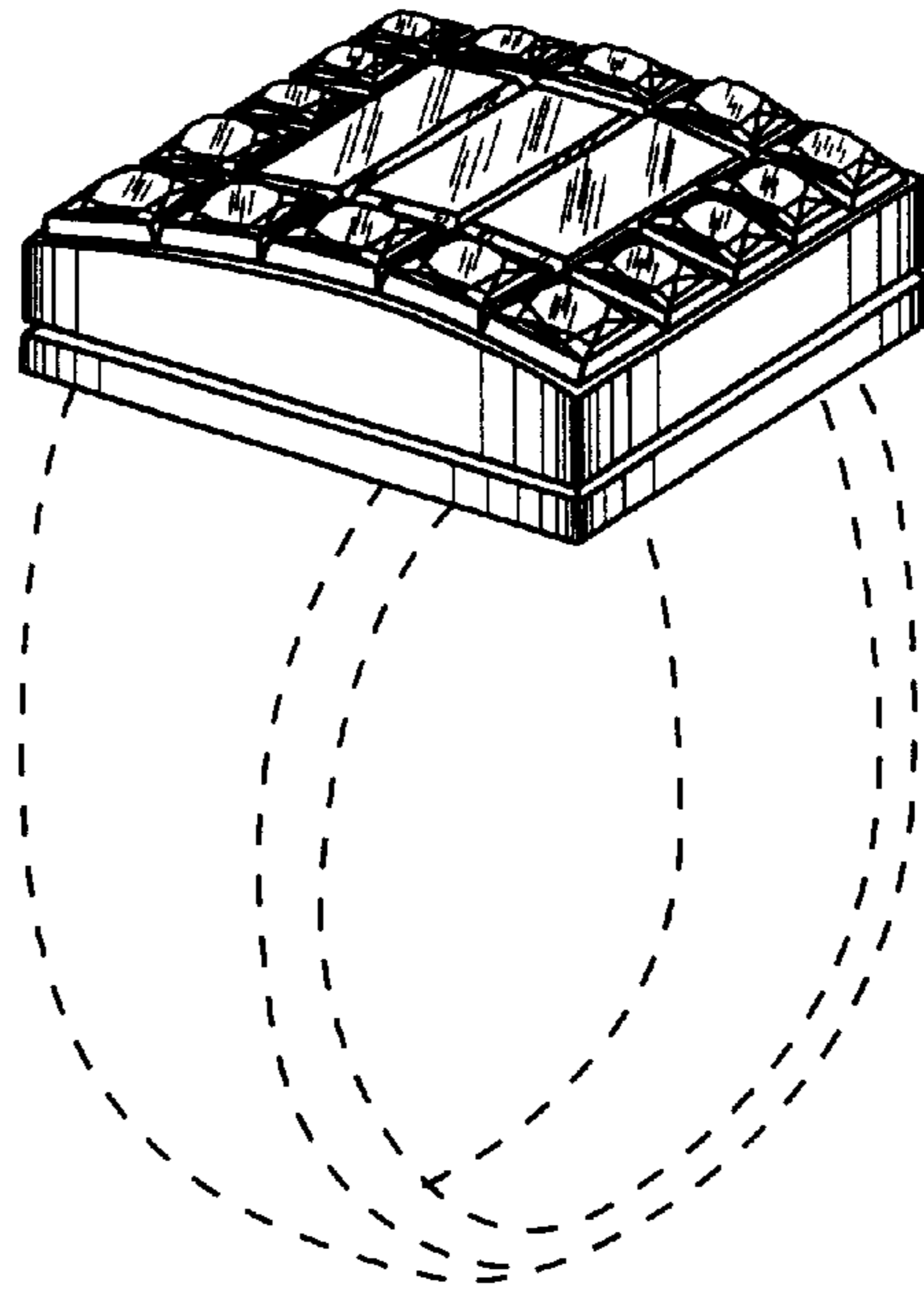


FIG. 8

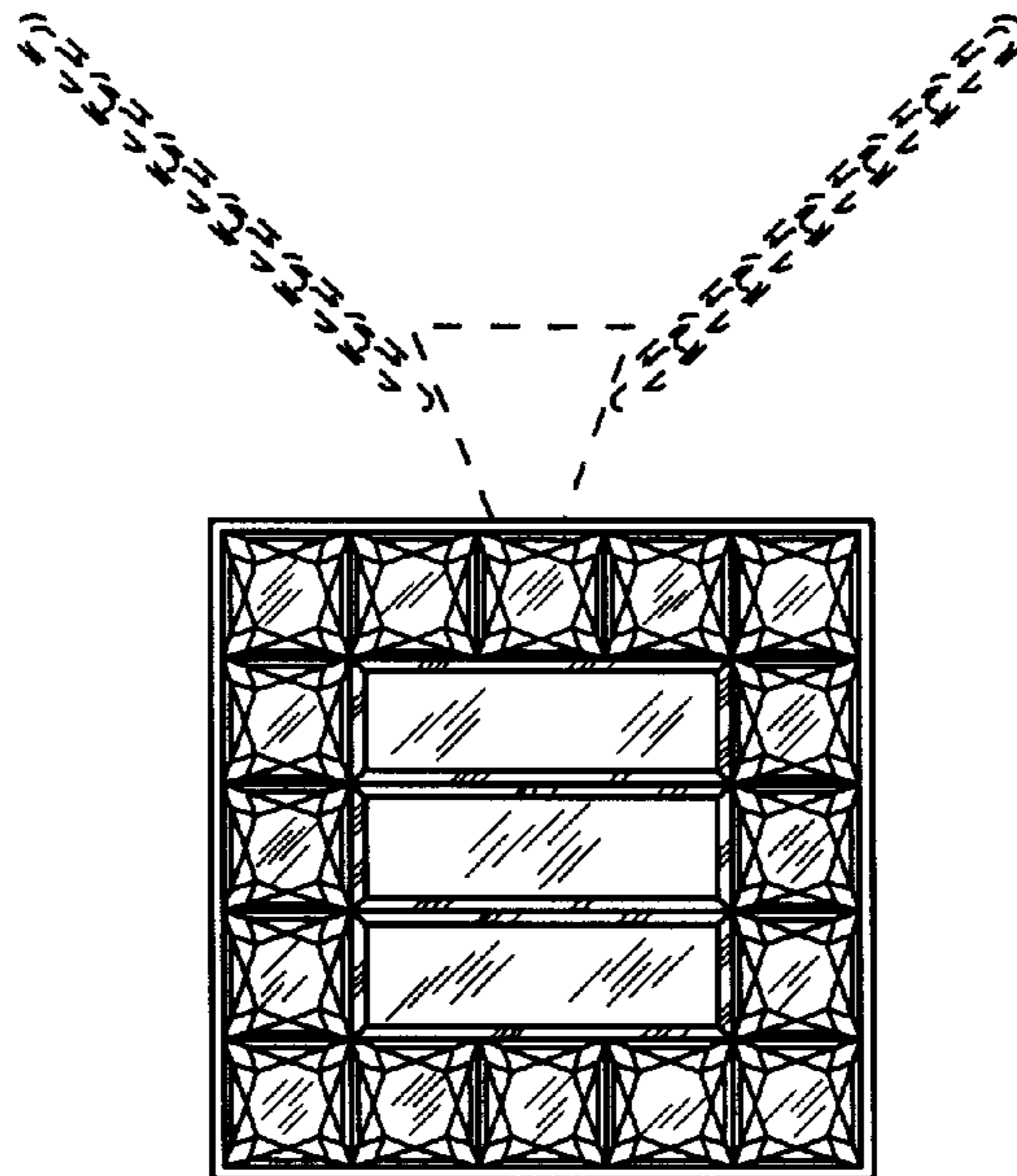


FIG. 9