



US00D417634S

# United States Patent [19]

Aebi et al.

[11] **Patent Number: Des. 417,634**

[45] **Date of Patent: \*\* Dec. 14, 1999**

[54] **TITRATING DEVICE**

4,241,018 12/1980 Lang ..... 422/75  
5,296,193 3/1994 Reges et al. .... 422/75

[75] Inventors: **Christoph Aebi**, Büttenried b. Mühleberg; **Rémy Jacquet**, Le Locle; **Yves Marmier**, La Chaux-de-Fonds, all of Switzerland

*Primary Examiner*—Stella Reid  
*Assistant Examiner*—I. Simmons  
*Attorney, Agent, or Firm*—Laubscher & Laubscher

[73] Assignee: **Mettler-Tolodo GmbH**, Greifensee, Switzerland

[57] **CLAIM**

The ornamental design for a titrating device, as shown.

[\*\*] Term: **14 Years**

**DESCRIPTION**

[21] Appl. No.: **29/082,784**

FIG. 1 is a perspective view of a titrating device showing our new design

[22] Filed: **Jan. 30, 1998**

FIG. 2 is a right side elevational view thereof

[51] **LOC (6) Cl.** ..... **10-04**

[52] **U.S. Cl.** ..... **D10/81; D24/232**

[58] **Field of Search** ..... D24/232; D10/81; 422/82.05, 75, 82.09, 82.01, 76; 438/163

FIG. 3 is a left side elevational view thereof;

FIG. 4 is a front elevational view thereof;

FIG. 5 is a rear elevational view thereof;

FIG. 6 is a top plan view thereof; and,

FIG. 7 is a bottom plan view thereof.

[56] **References Cited**

**U.S. PATENT DOCUMENTS**

D. 406,900 3/1999 Murrell et al. .... D24/232

**1 Claim, 6 Drawing Sheets**

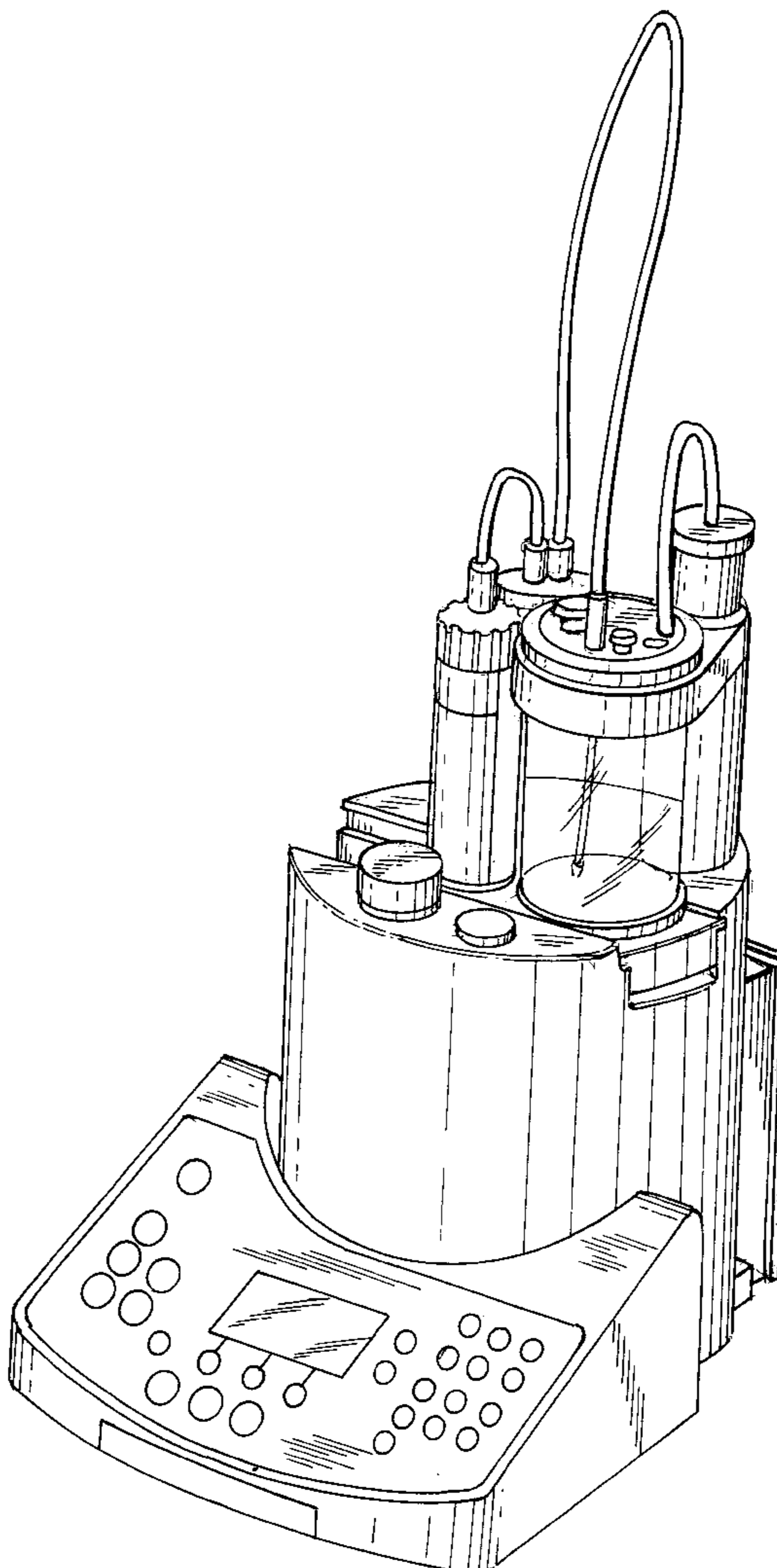


FIG. 1

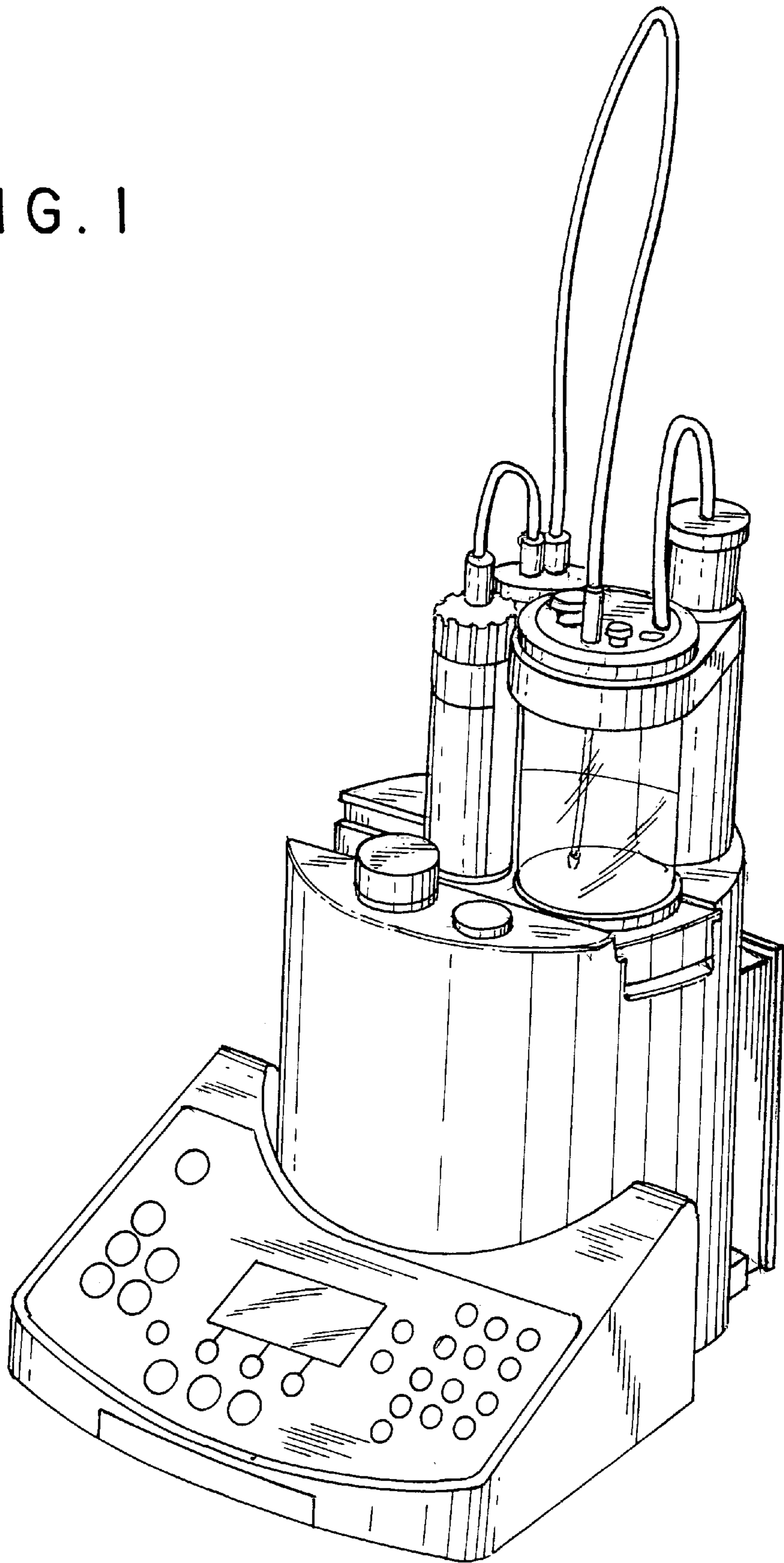
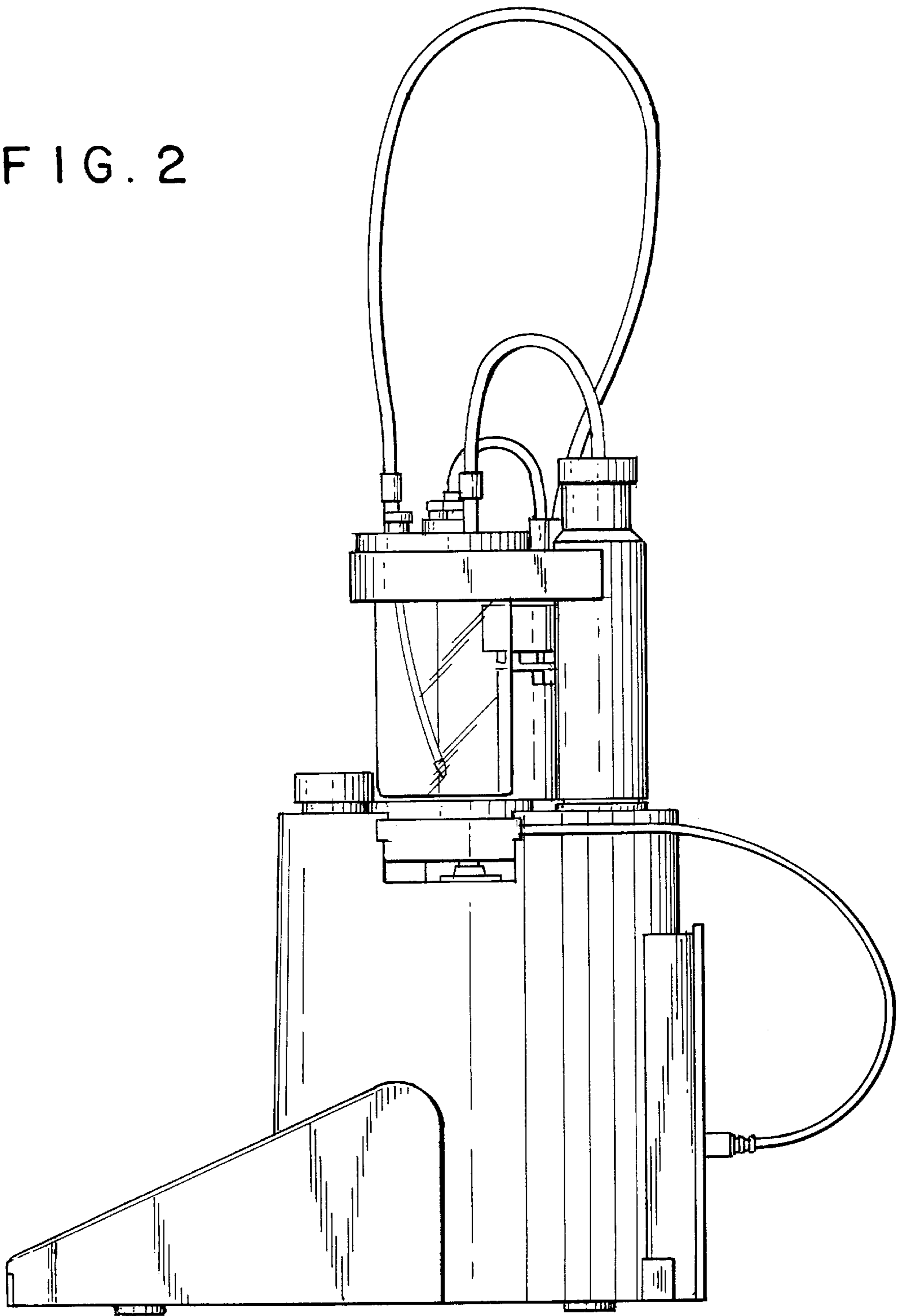


FIG. 2



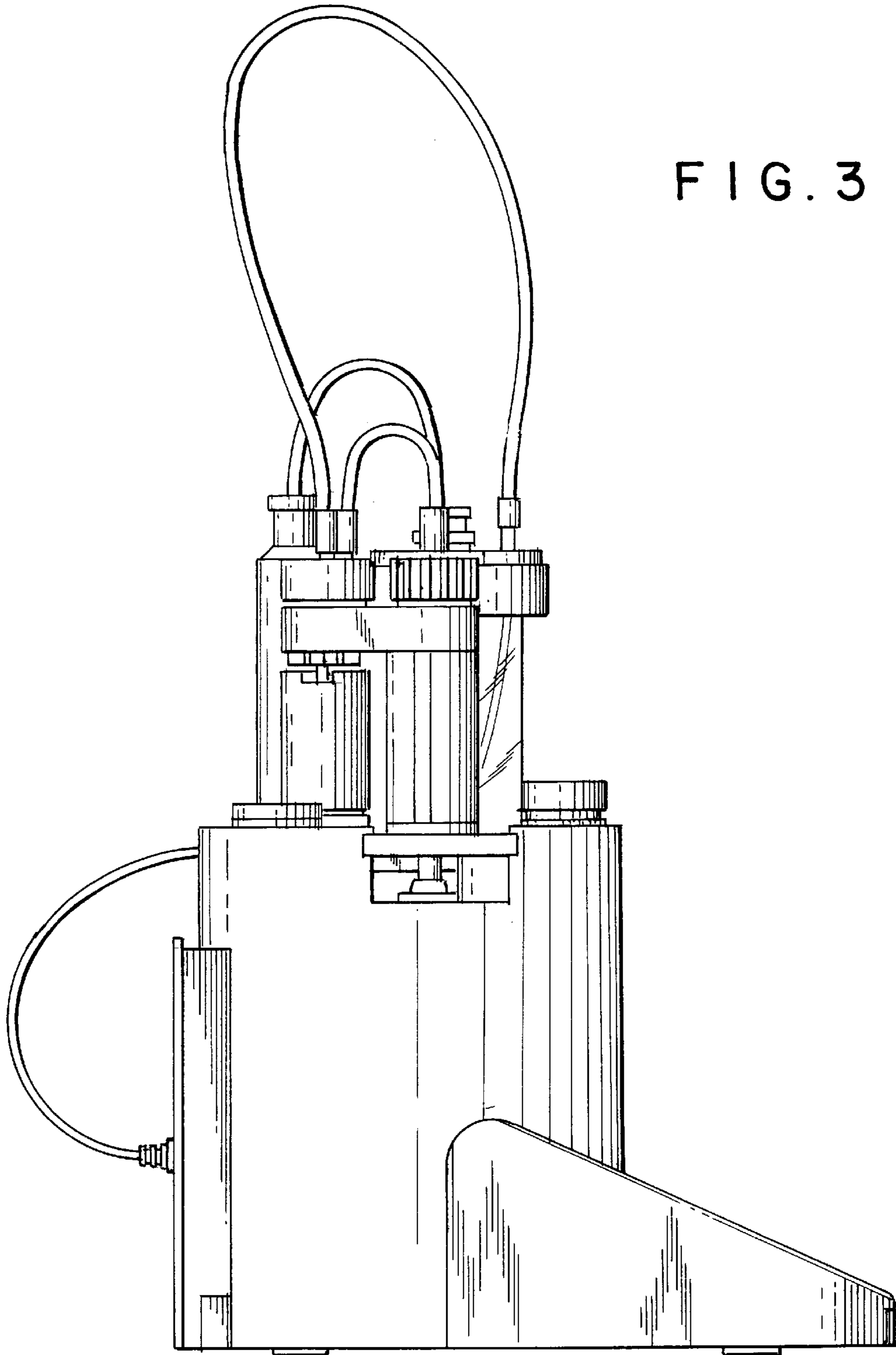


FIG. 3

FIG. 4

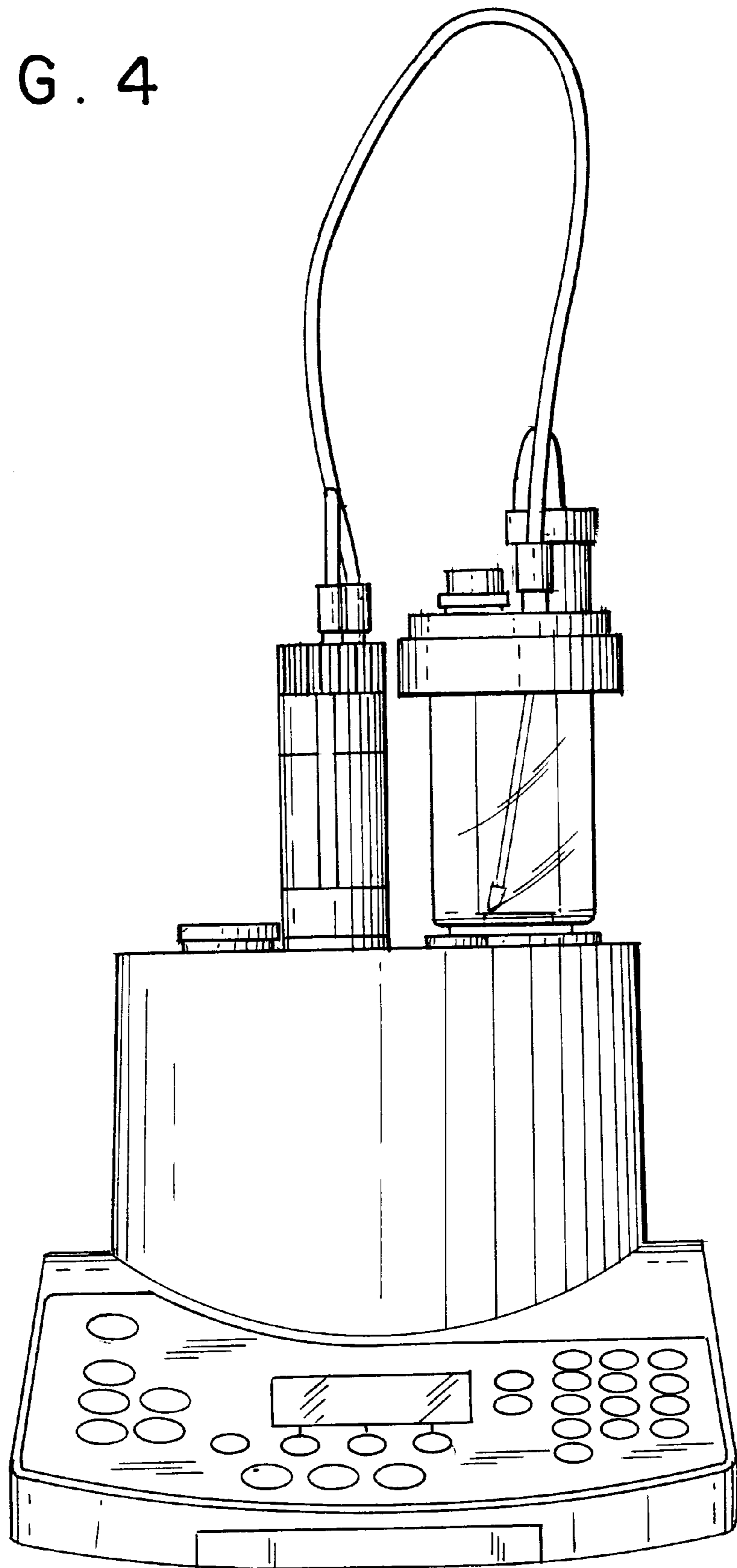


FIG. 5

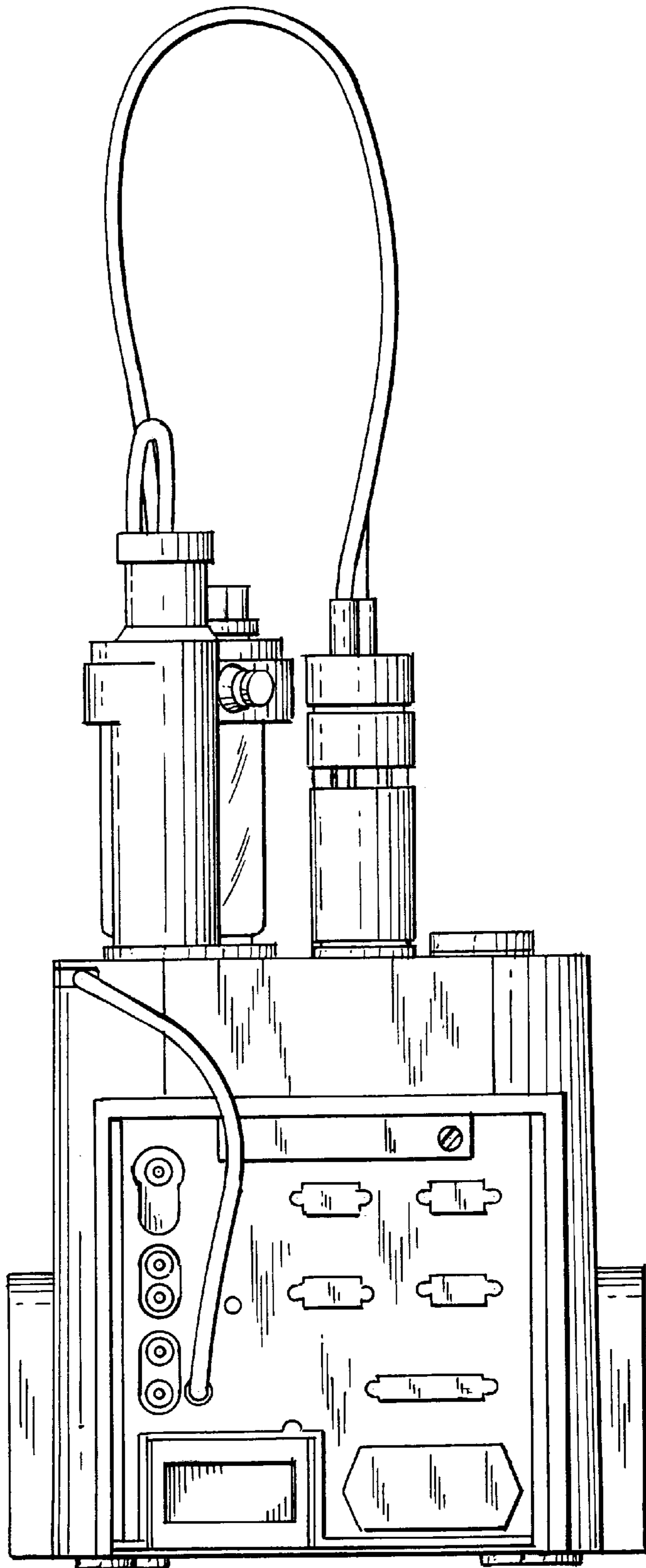


FIG. 6

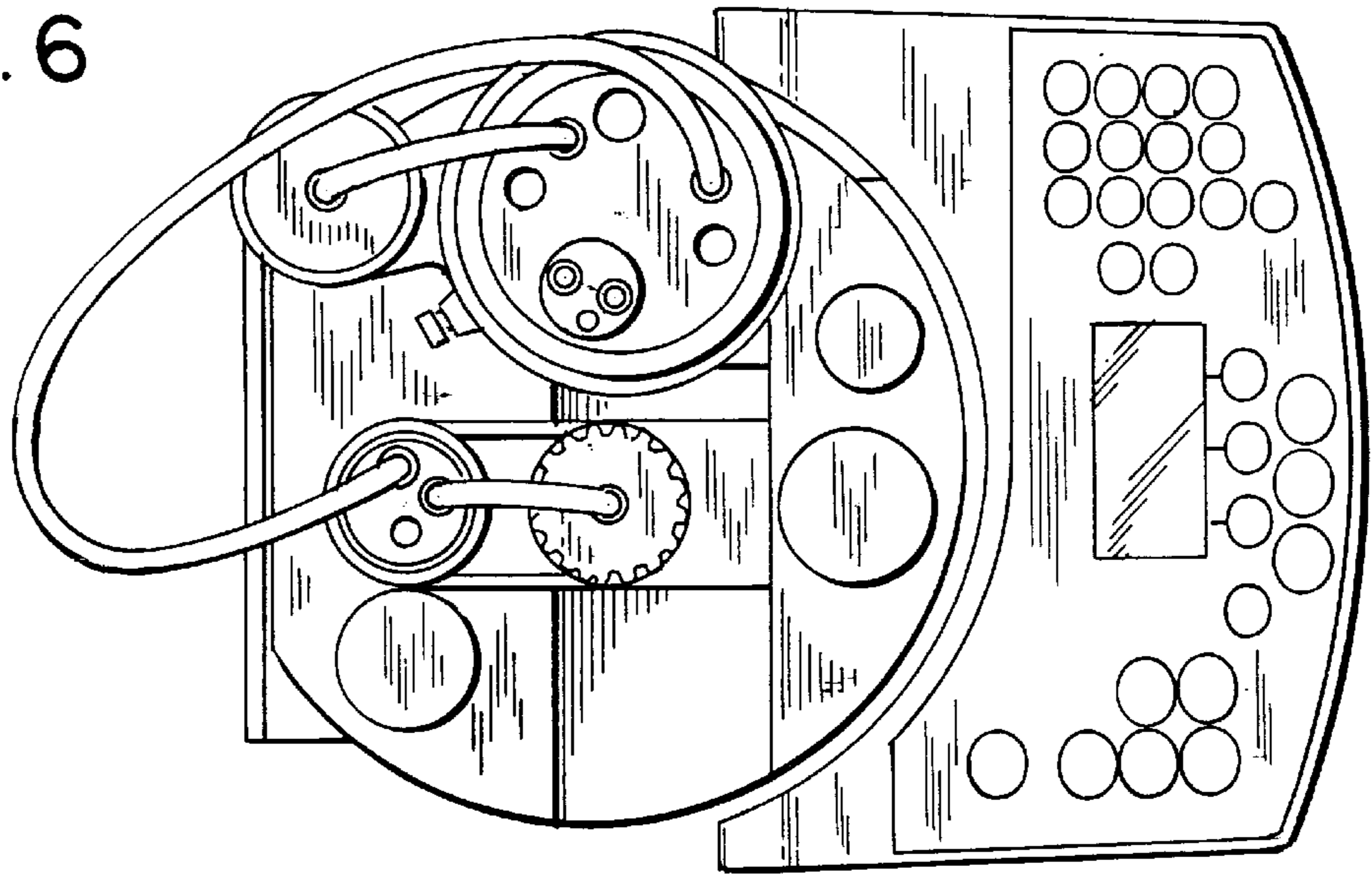


FIG. 7

