



US00D417632S

United States Patent [19]

Fast et al.

[11] **Patent Number: Des. 417,632**

[45] **Date of Patent: ** Dec. 14, 1999**

[54] **MASONRY FIXTURES**

[76] Inventors: **Dick A. Fast**, 426 Pleasant St.; **Darrell H. Hicks**, 1104 Lacey Lake Rd., both of Charlotte, Mich. 48813

[**] Term: **14 Years**

[21] Appl. No.: **29/084,032**

[22] Filed: **Feb. 23, 1998**

D. 347,798	6/1994	Tindoll	D10/65
3,555,688	1/1971	Smathers	33/408
5,392,523	2/1995	Hurt	33/408

Primary Examiner—Antoine Duval Davis
Attorney, Agent, or Firm—Flynn, Thiel, Boutell & Tanis, P.C.

[57] CLAIM

The ornamental designs for masonry fixtures, as shown and described.

Related U.S. Application Data

[63] Continuation-in-part of application No. 29/048,140, Dec. 20, 1995, Pat. No. Des. 395,248.

[51] **LOC (6) Cl.** **10-04**

[52] **U.S. Cl.** **D10/65**

[58] **Field of Search** D10/65

DESCRIPTION

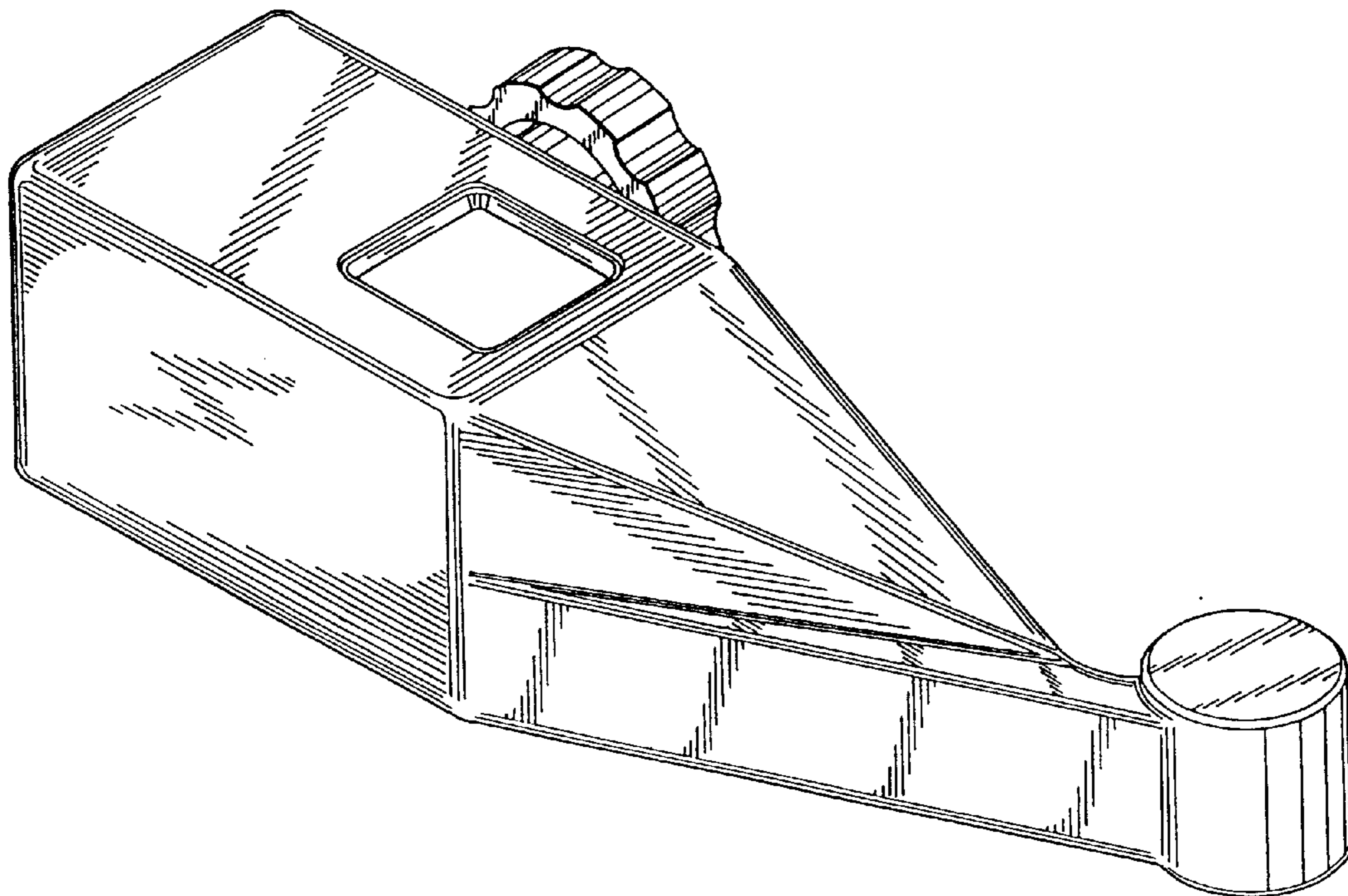
FIG. 1 is a top, front, and right isometric view of a fourth embodiment of a masonry fixture embodying the inventive design;
FIG. 2 is a front view thereof;
FIG. 3 is a rear view thereof;
FIG. 4 is a right view thereof;
FIG. 5 is a left view thereof;
FIG. 6 is a top view thereof; and,
FIG. 7 is a bottom view thereof.

[56] References Cited

U.S. PATENT DOCUMENTS

D. 196,142 8/1963 Storm D8/394

1 Claim, 2 Drawing Sheets



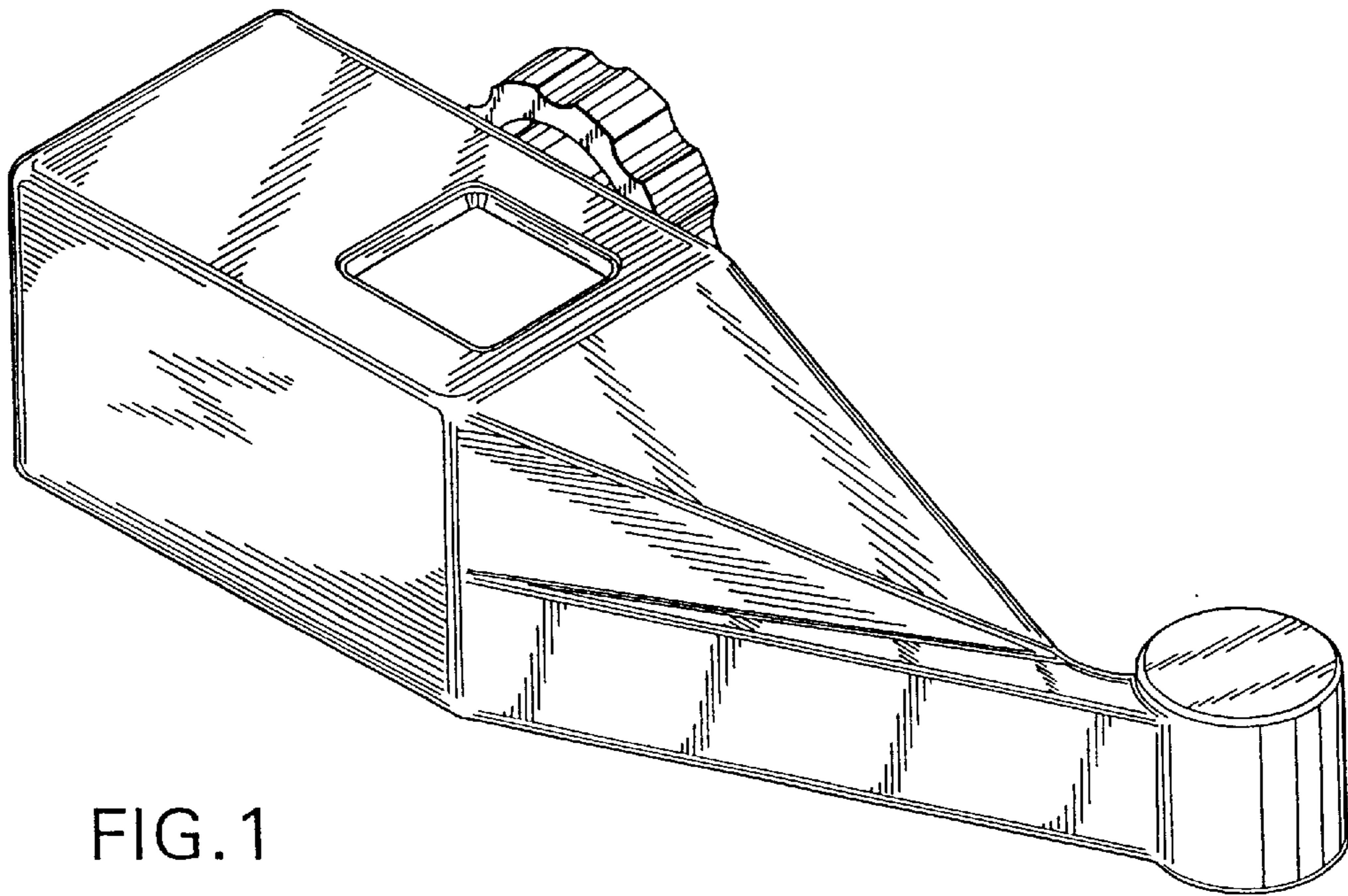


FIG. 1

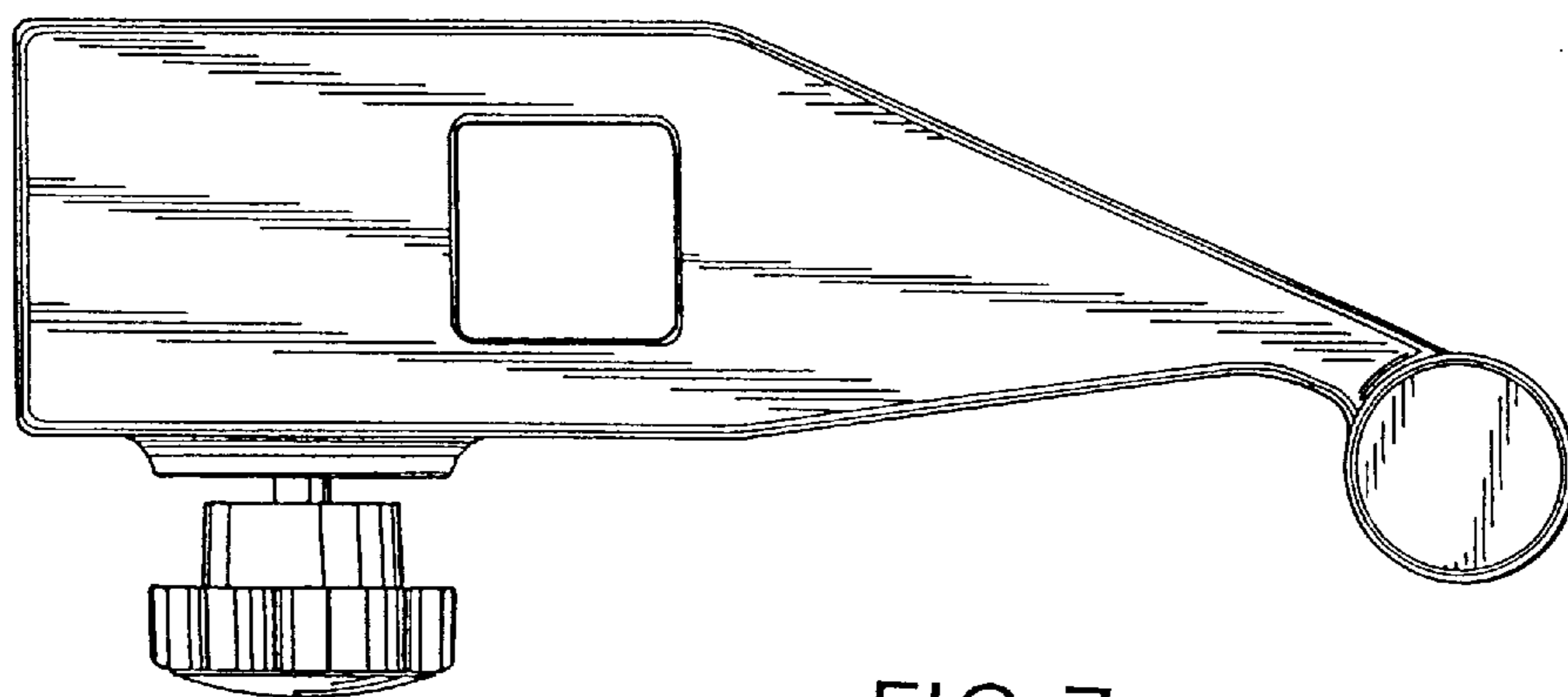


FIG. 7

FIG. 2

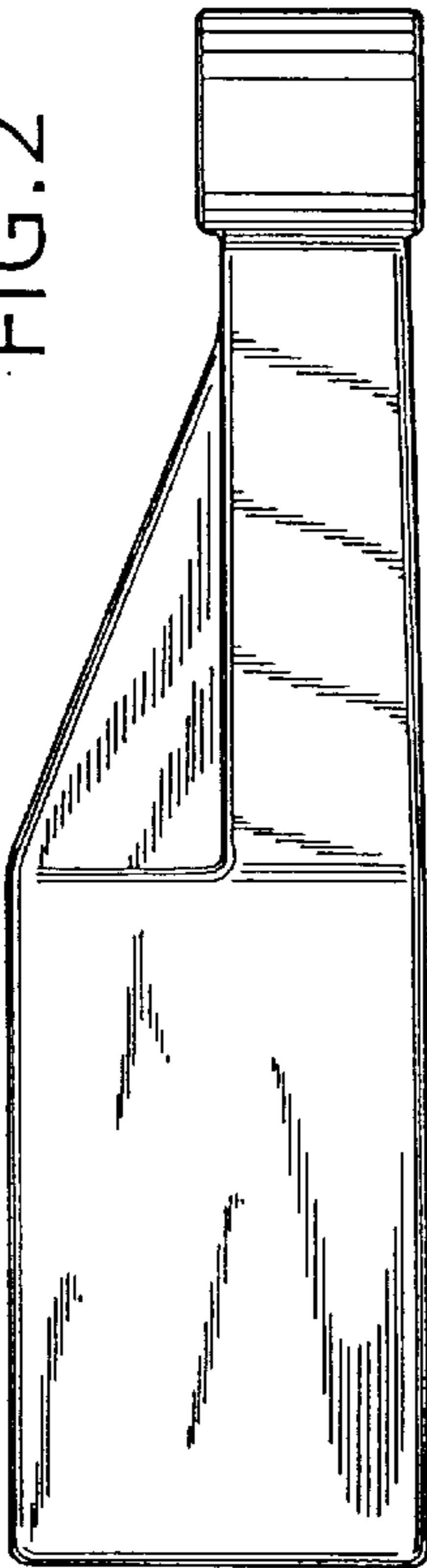


FIG. 3

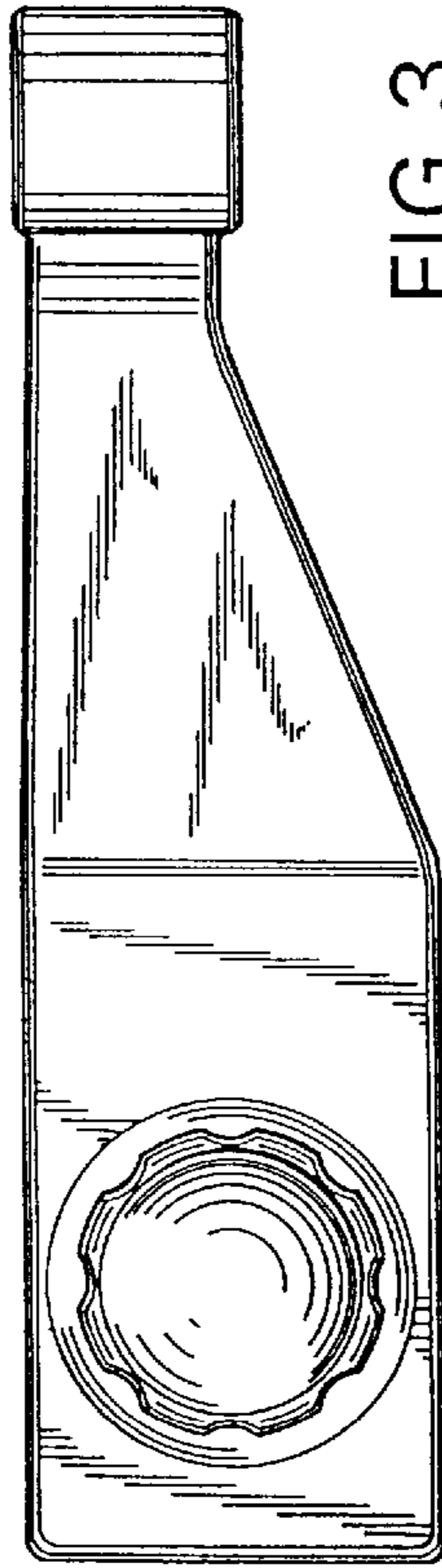


FIG. 5

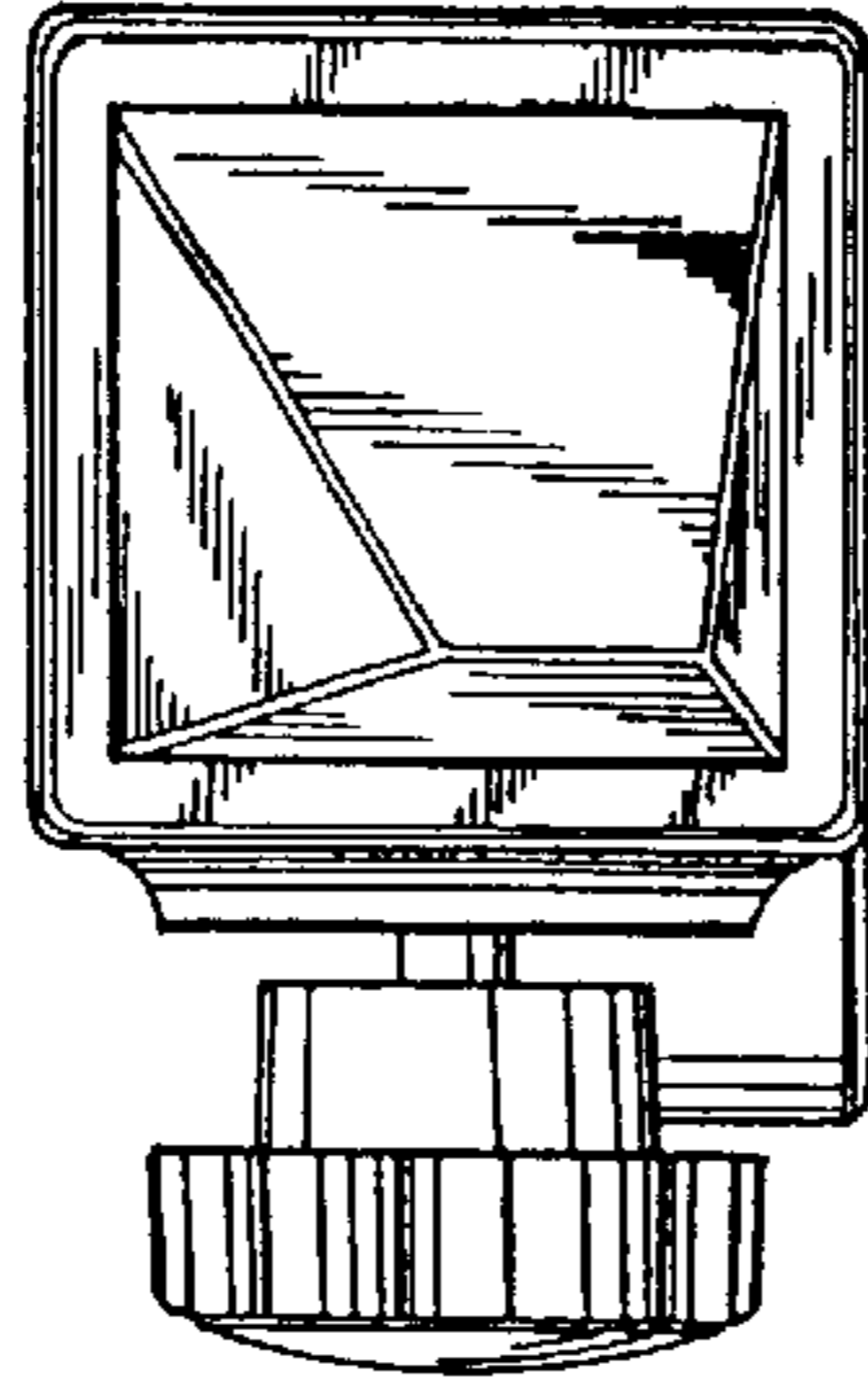


FIG. 4

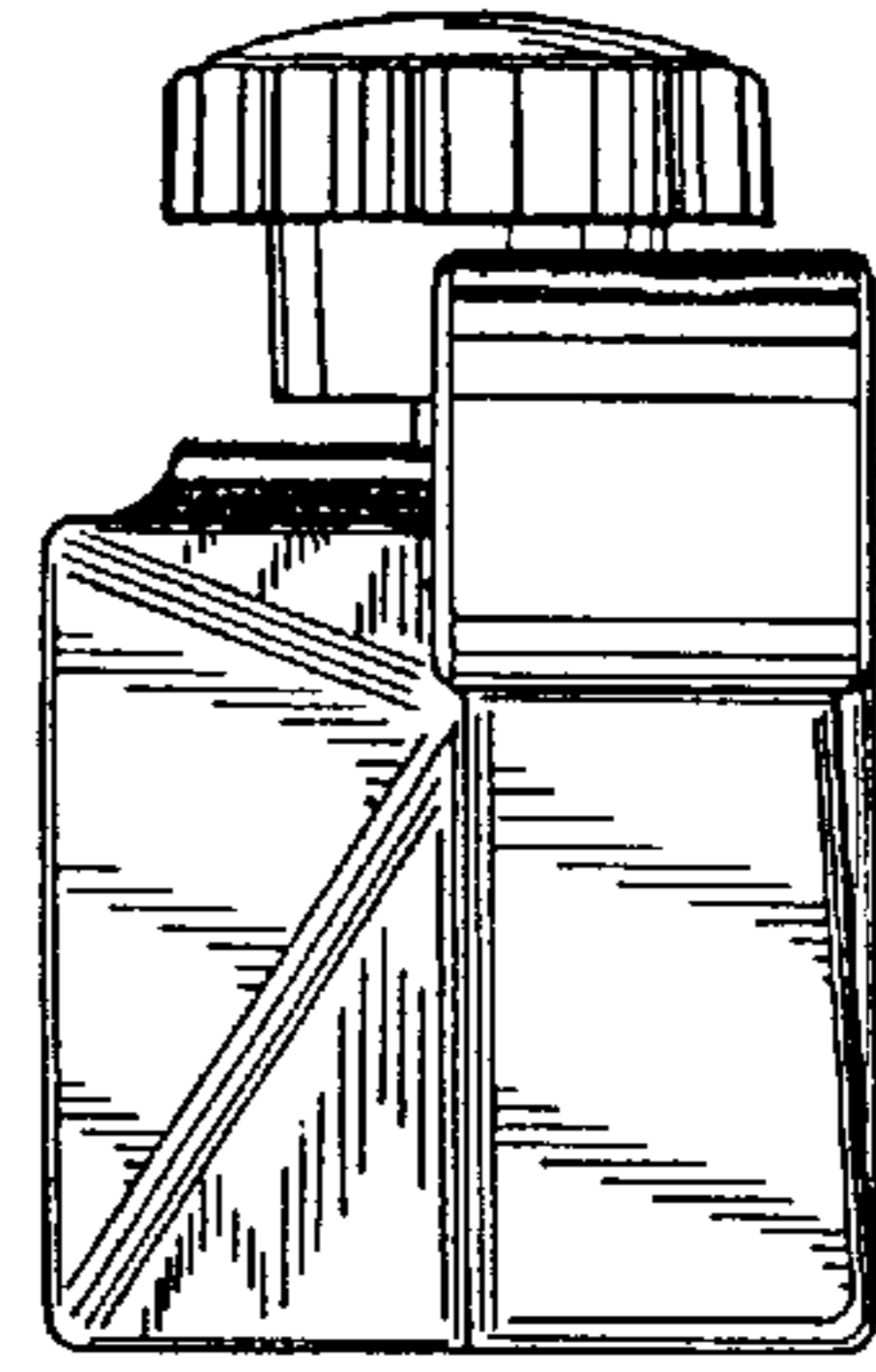
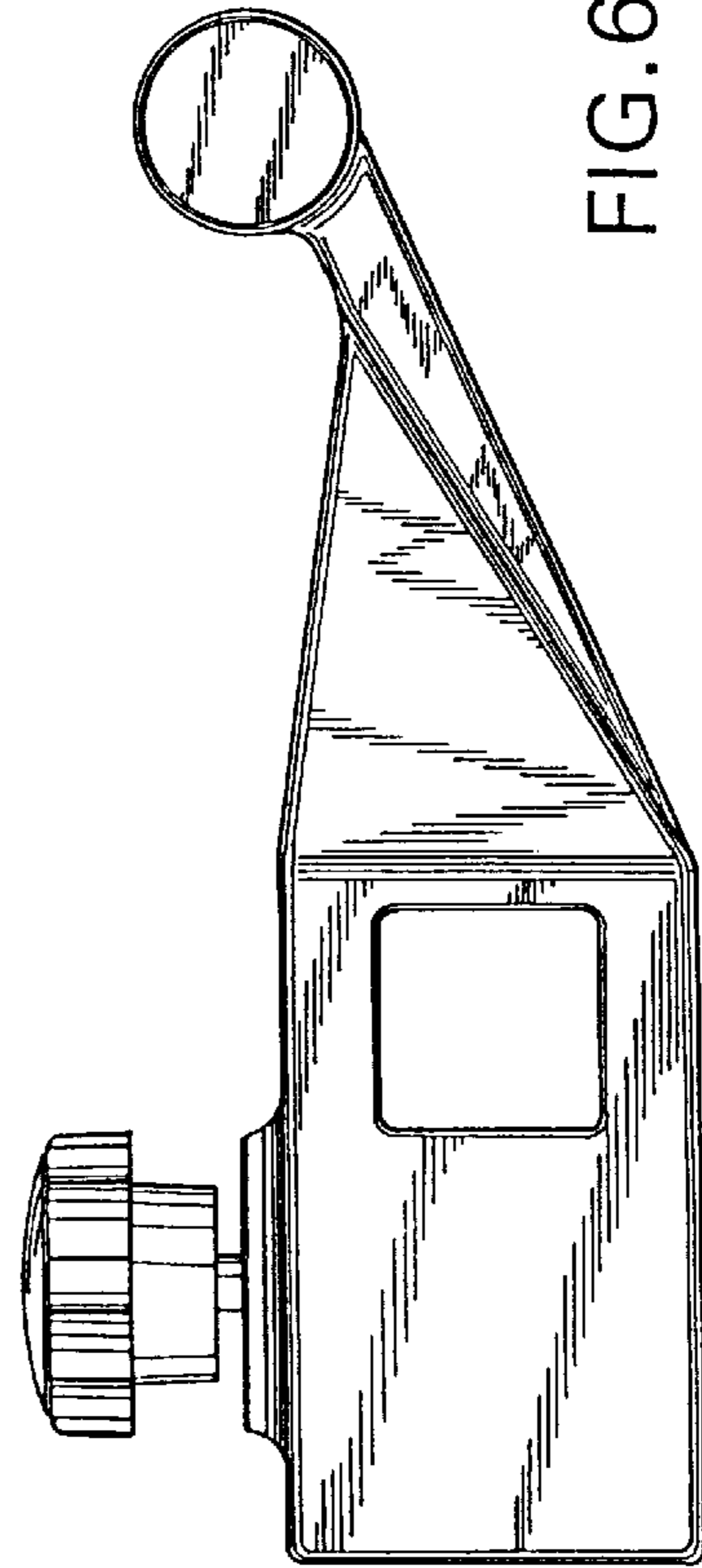


FIG. 6



UNITED STATES PATENT AND TRADEMARK OFFICE
CERTIFICATE OF CORRECTION

Page 1 of 4

PATENT : Des. 417,632

DATED : December 14, 1999

INVENTOR(S) : Dick A. Fast et al

It is certified that error appears in the above-identified patent and that said Letters Patent is hereby corrected as shown below:

On the title page, in item [57] the "Claim", "designs" should be replaced with --design--; and in the "Description", in lines 1 and 2, "a fourth embodiment of" should be deleted.

The title page, showing the illustrative figure should be deleted to be replaced with the attached title page.

In the drawings, sheets 1 and 2, consisting of Figs. 1-7 should be deleted to be replaced with sheets 1 and 2, consisting of Figs. 1-7, as shown on the attached pages.

Signed and Sealed this

Twenty-seventh Day of February, 2001

Attest:



NICHOLAS P. GODICI

Attesting Officer

Acting Director of the United States Patent and Trademark Office



United States Patent [19]
Fast et al.

[11] Patent Number: **Des. 417,632**
[45] Date of Patent: **** Dec. 14, 1999**

[54] **MASONRY FIXTURES**

[76] Inventors: **Dick A. Fast, 426 Pleasant St.; Darrell H. Hicks, 1104 Lacey Lake Rd., both of Charlotte, Mich. 48813**

[**] Term: **14 Years**

[21] Appl. No.: **29/084,032**

[22] Filed: **Feb. 23, 1998**

Related U.S. Application Data

[63] Continuation-in-part of application No. 29/048,140, Dec. 20, 1995, Pat. No. Des. 395,248.

[51] LOC (6) CL _____ **10-04**
[52] U.S. CL _____ **D10/65**
[58] Field of Search _____ **D10/65**

[56] **References Cited**

U.S. PATENT DOCUMENTS

D. 196,142 8/1963 Storm _____ **D8/394**

D. 347,798 6/1994 Tindoll _____ **D10/65**
3,555,688 1/1971 Smathers _____ **33/408**
5,392,523 2/1995 Hart _____ **33/408**

Primary Examiner—Antoine Duval Davis
Attorney, Agent, or Firm—Flynn, Thiel, Boutell & Tanis, P.C.

[57] **CLAIM**

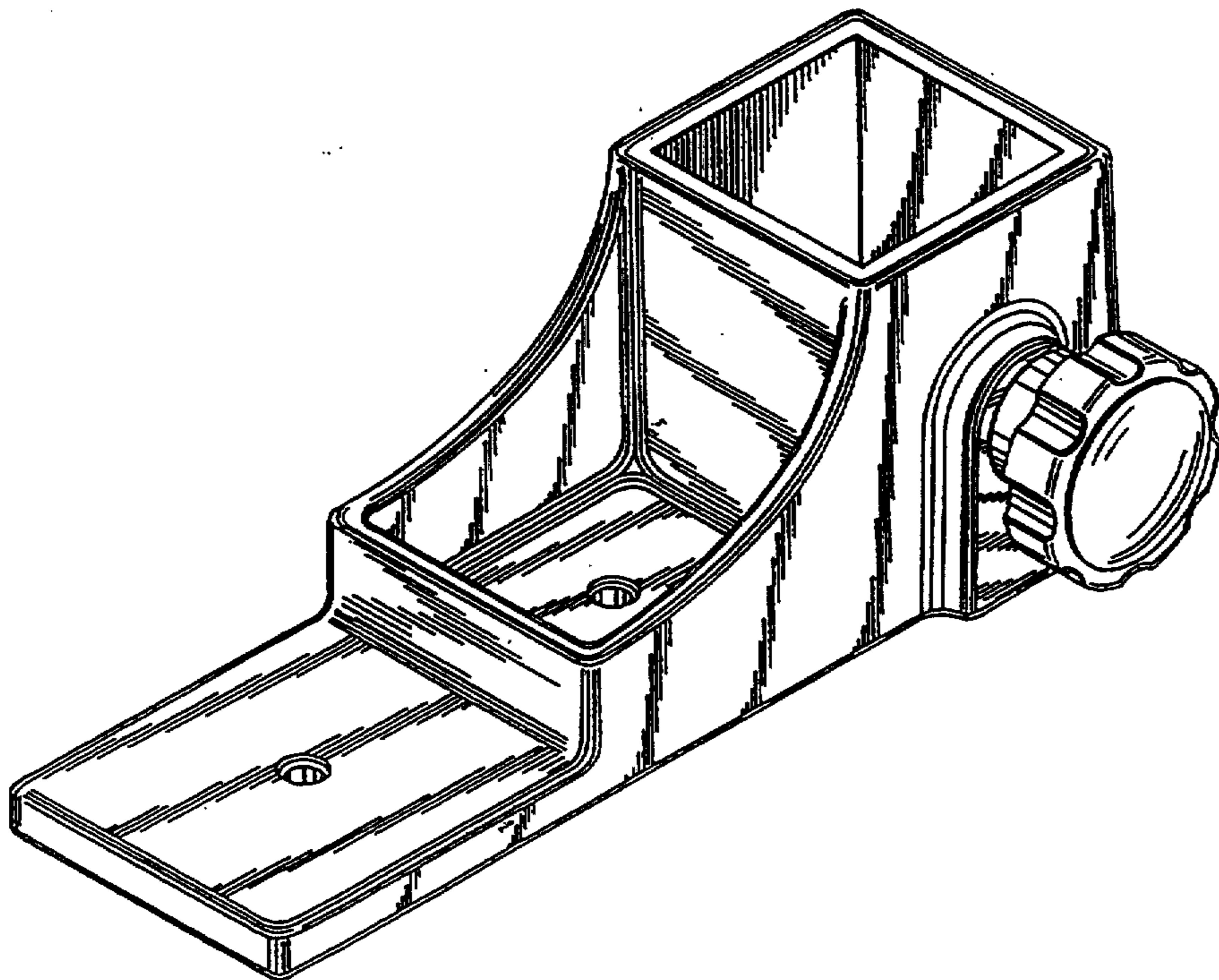
The ornamental designs for masonry fixtures, as shown and described.

DESCRIPTION

FIG. 1 is a top, front, and right isometric view of a fourth embodiment of a masonry fixture embodying the inventive design;

FIG. 2 is a front view thereof;
FIG. 3 is a rear view thereof;
FIG. 4 is a right view thereof;
FIG. 5 is a left view thereof;
FIG. 6 is a top view thereof; and
FIG. 7 is a bottom view thereof.

1 Claim, 2 Drawing Sheets



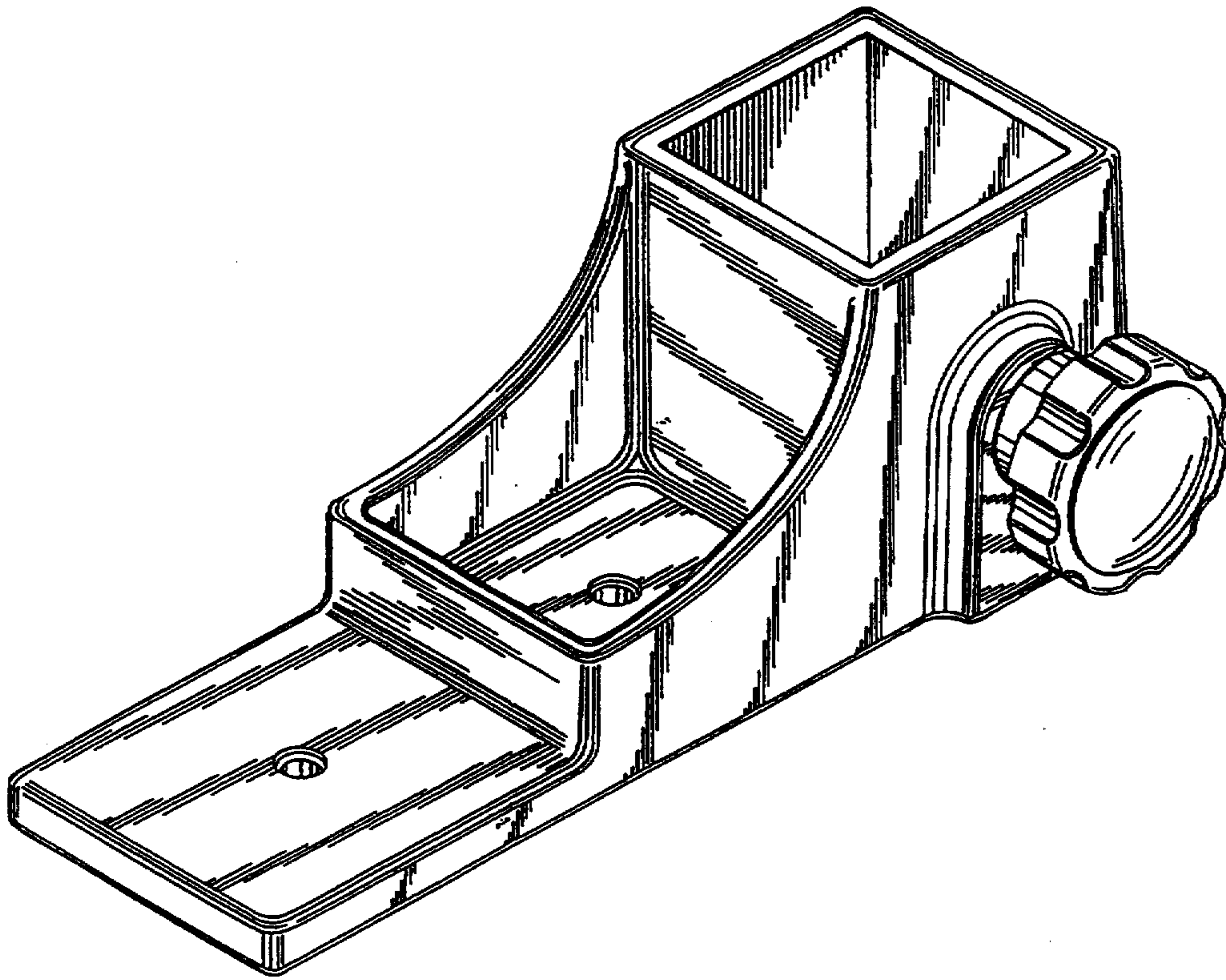


FIG. 3

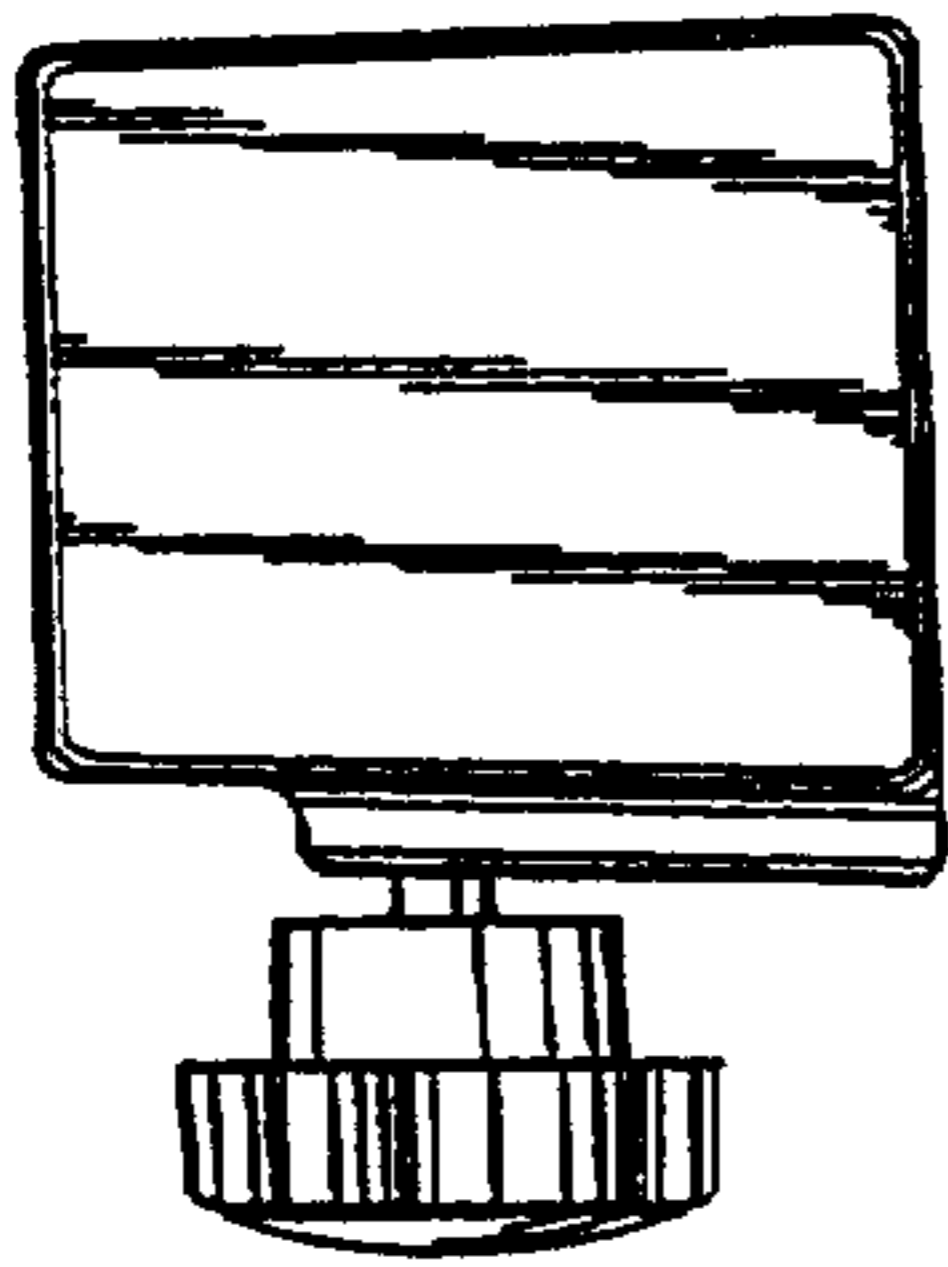


FIG. 2

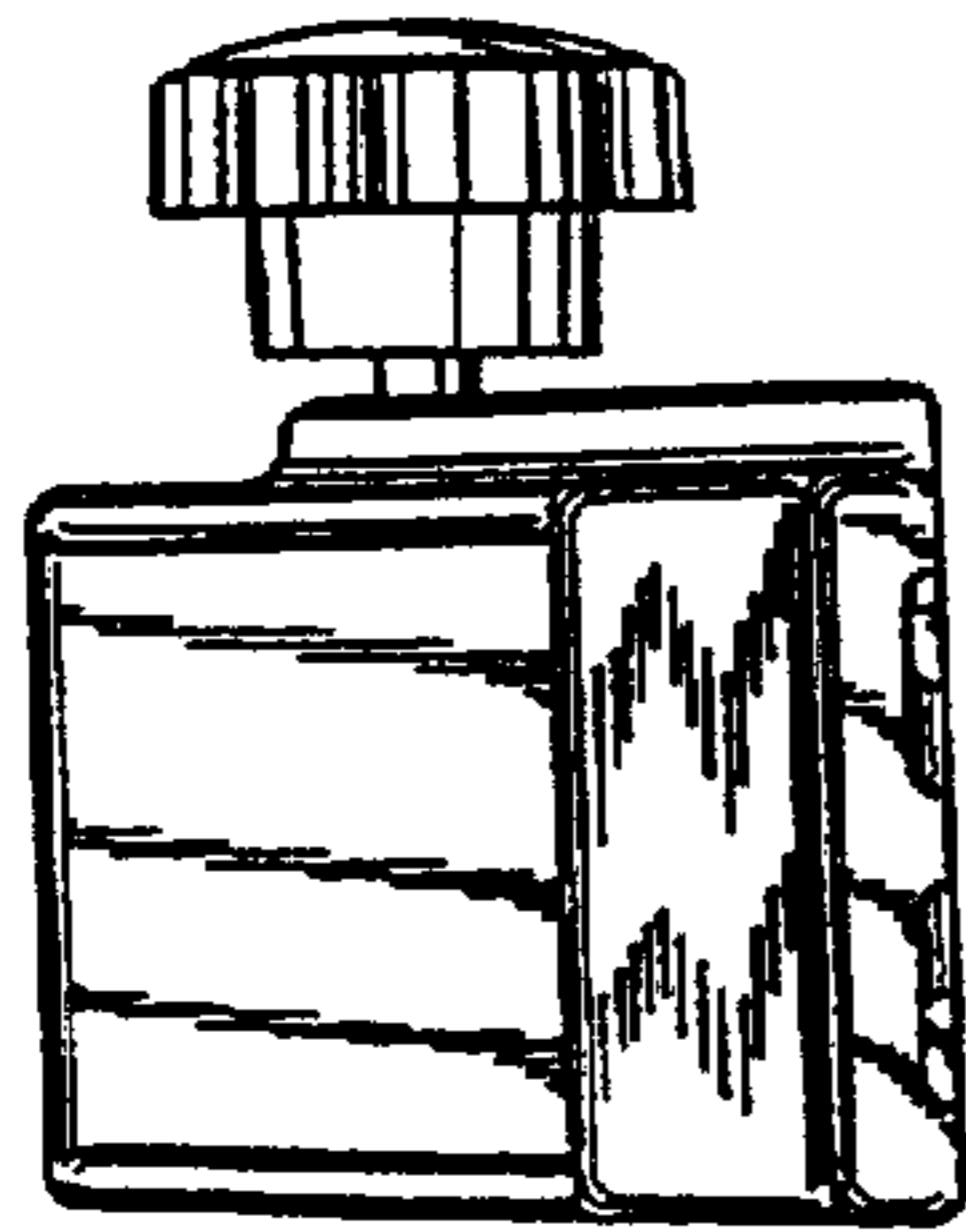


FIG. 4

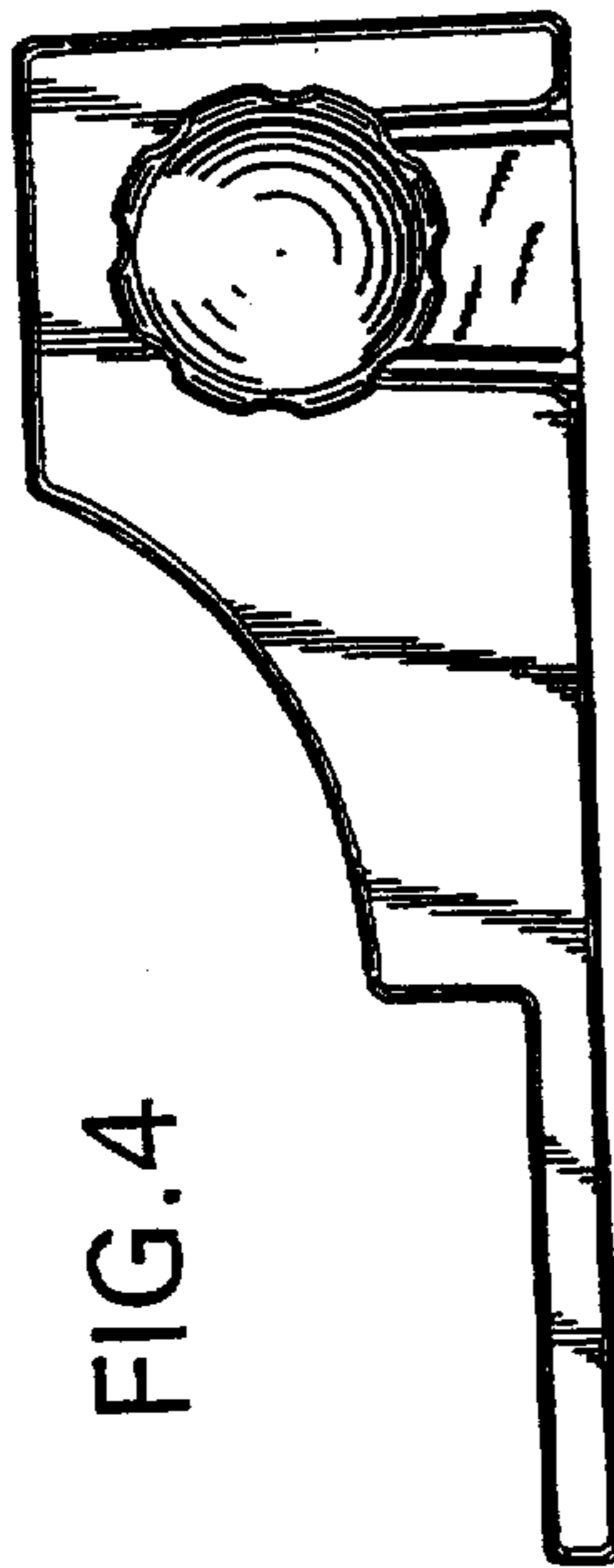


FIG. 5

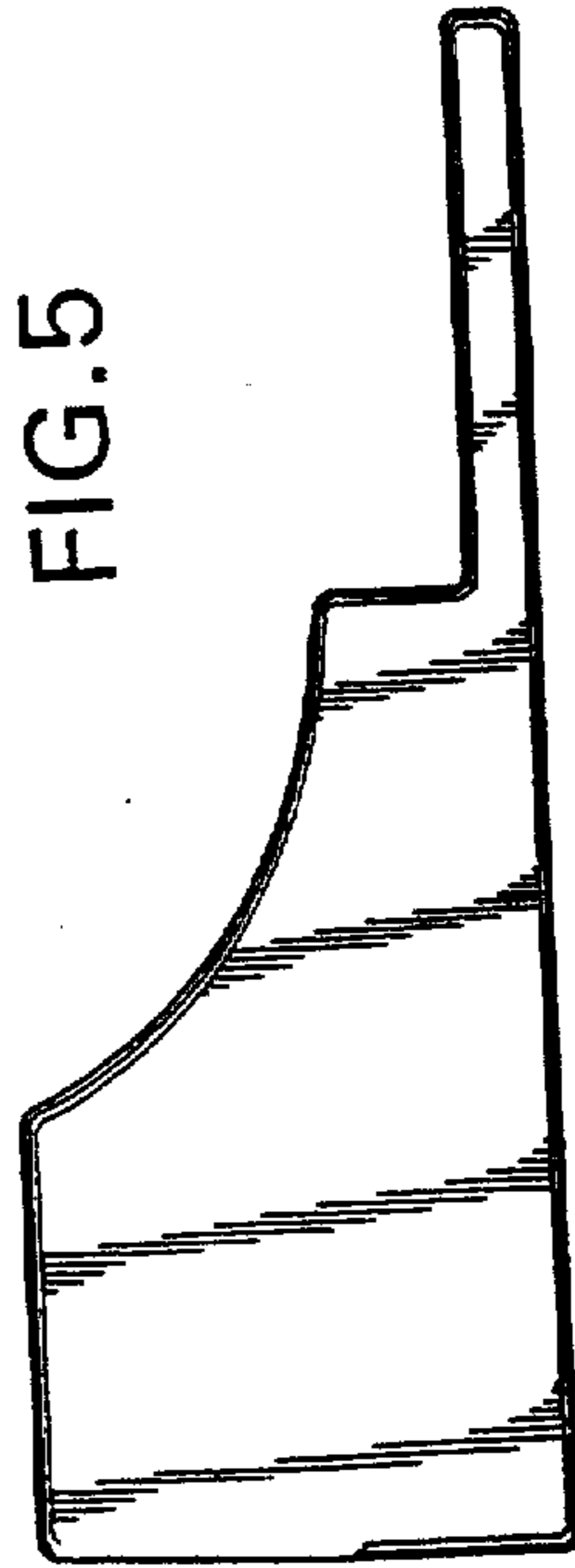


FIG. 7

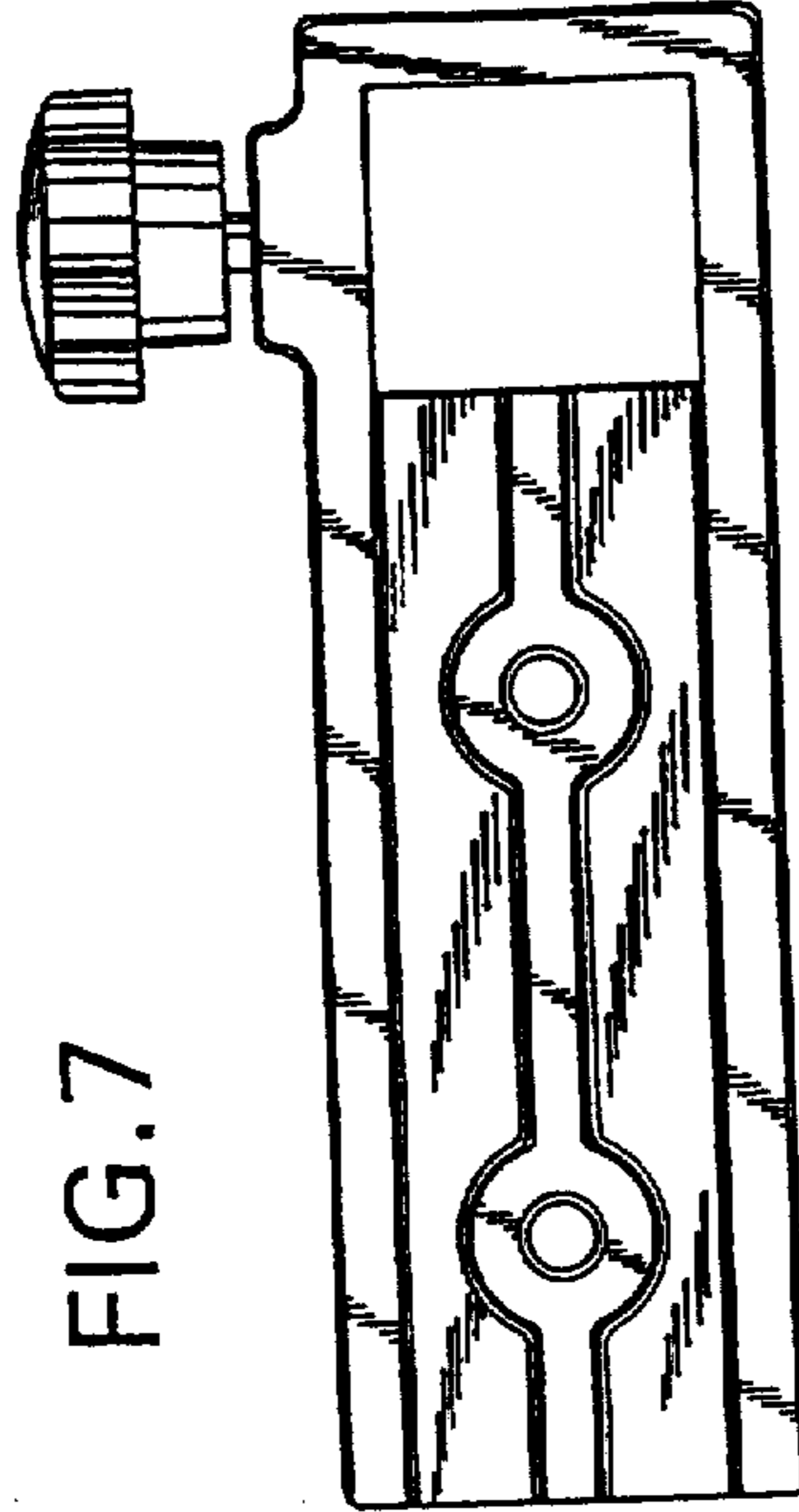


FIG. 6

