



US00D417629S

United States Patent [19] Weterrings

[11] **Patent Number: Des. 417,629**

[45] **Date of Patent: ** Dec. 14, 1999**

[54] **ADJUSTABLE SPOON BASE**

[75] Inventor: **Frans M. Weterrings**, Florence, Ala.

[73] Assignee: **Robbins Industries Inc.**, Florence, Ala.

[**] Term: **14 Years**

[21] Appl. No.: **29/084,112**

[22] Filed: **Feb. 24, 1998**

[51] **LOC (6) Cl. 10-04**

[52] **U.S. Cl. D10/46.2; D7/691**

[58] **Field of Search D10/46.2, 46.3; D7/691, 692, 653; 30/324-328; 73/426-429**

[56] **References Cited**

U.S. PATENT DOCUMENTS

D. 253,869	1/1980	Wells	D10/46.2 X
D. 368,864	4/1996	Weterrings	D10/46.3
D. 371,976	7/1996	Tucker	D10/46.2
D. 403,256	12/1998	Weterrings	D10/46.3
5,182,948	2/1993	Robbins et al.	73/429

Primary Examiner—Terry A. Wallace
Attorney, Agent, or Firm—Whitman Breed Abbott & Morgan LLC; Gregor N. Neff

[57] **CLAIM**

The ornamental design for an adjustable spoon base, as shown and described.

DESCRIPTION

FIG. 1 is a perspective view of the adjustable spoon base of the present invention;

FIGS. 2 through 6 are, respectively, a top plan view; a side elevation view; a bottom plan view; a left elevation view; and a right elevation view of the device shown in FIG. 1; and,

FIGS. 7 through 11 are, respectively, a top plan view; a side elevation view; a bottom plan view; a left end view; and a right end view of another embodiment of the invention.

The broken lines are for illustrative purposes only and form no part of the claimed design.

1 Claim, 3 Drawing Sheets

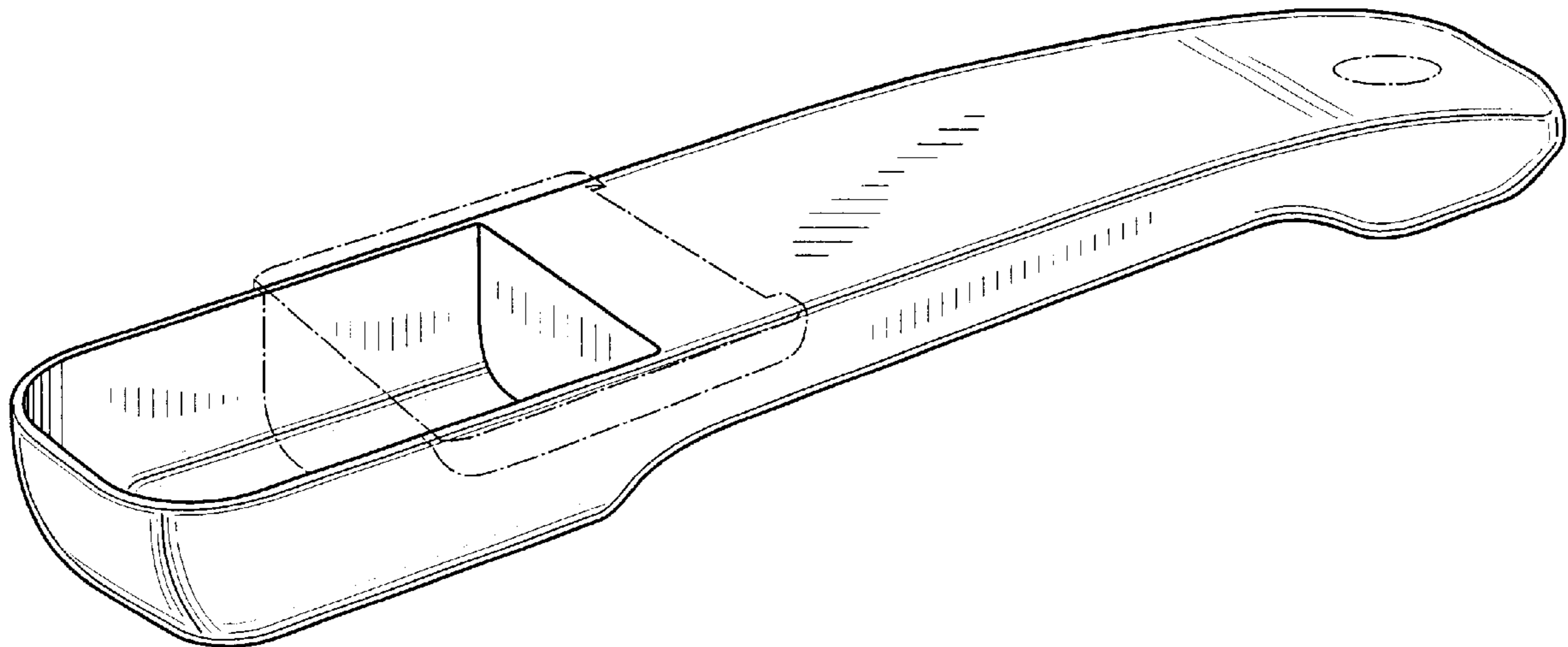


FIG. 1

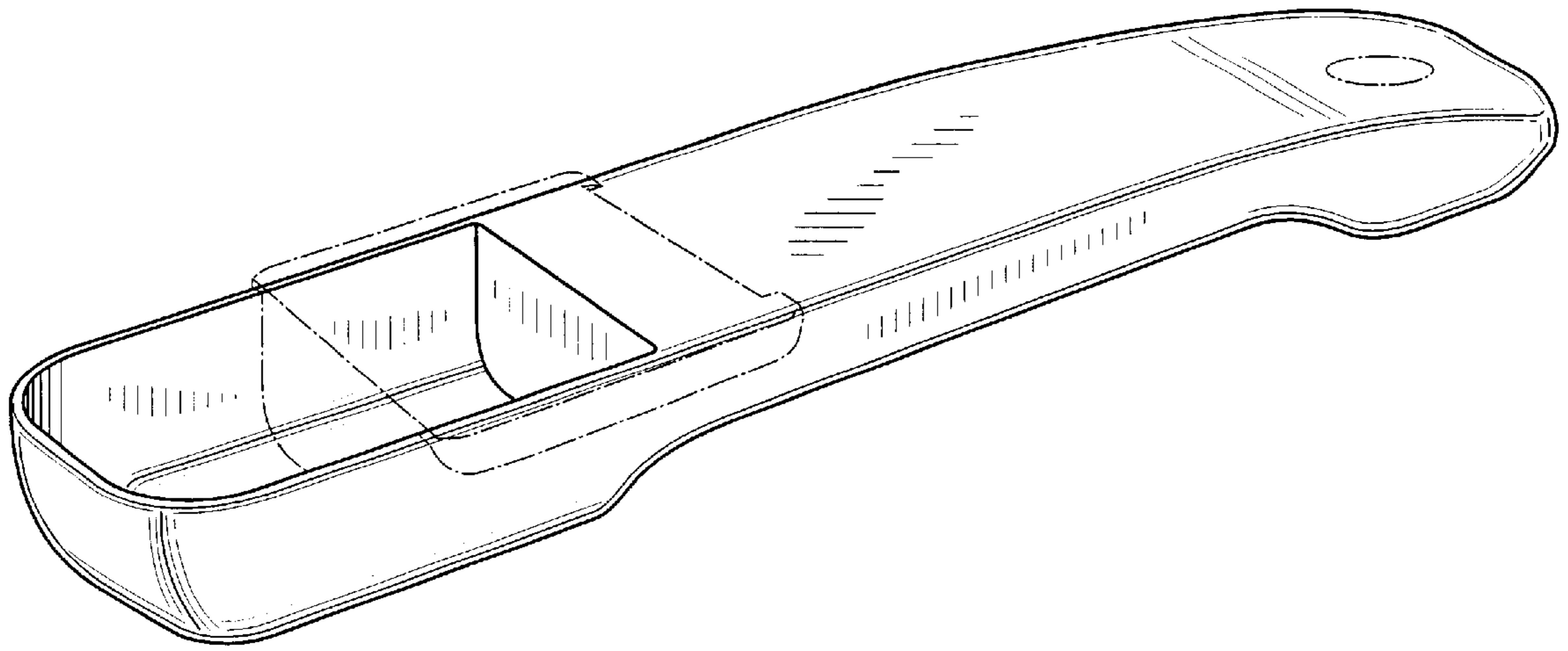


FIG. 5



FIG. 6

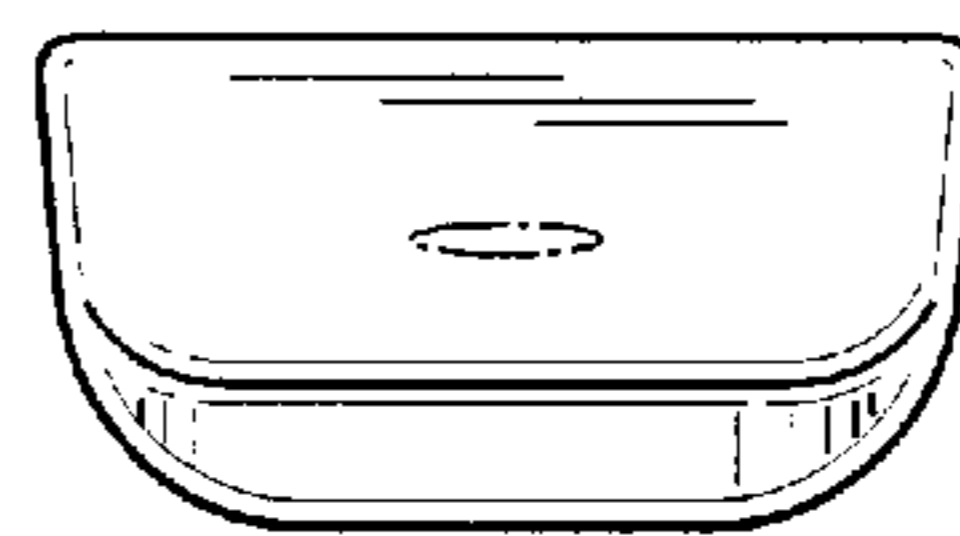


FIG. 2

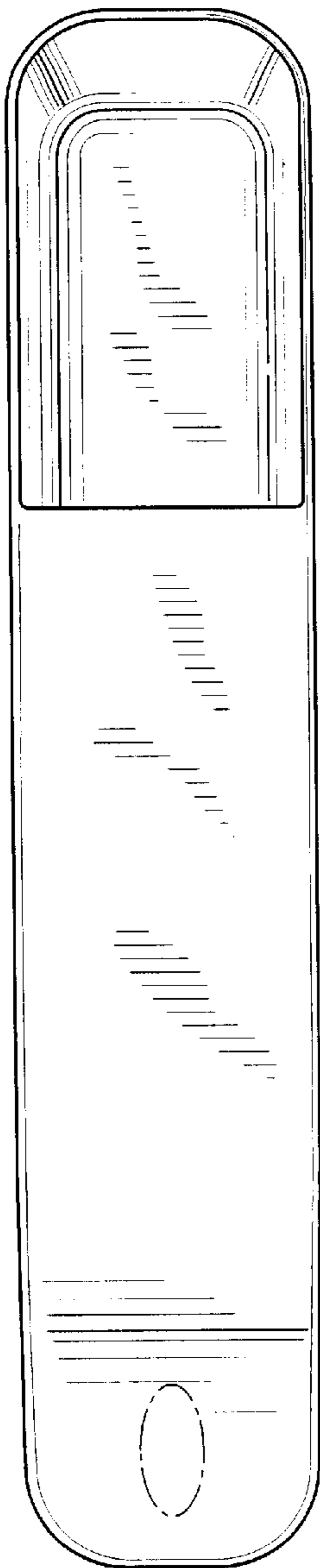


FIG. 3

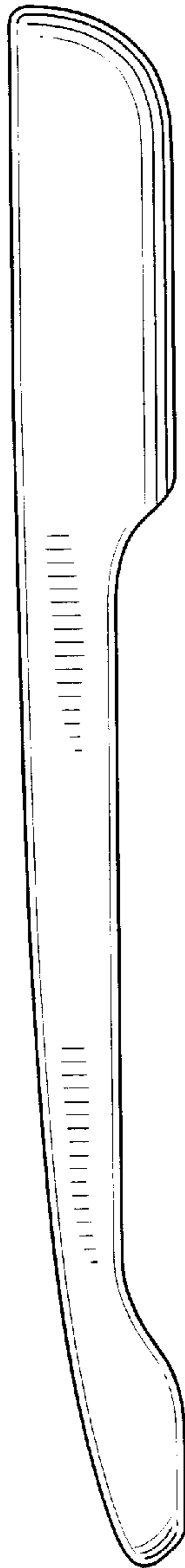


FIG. 4

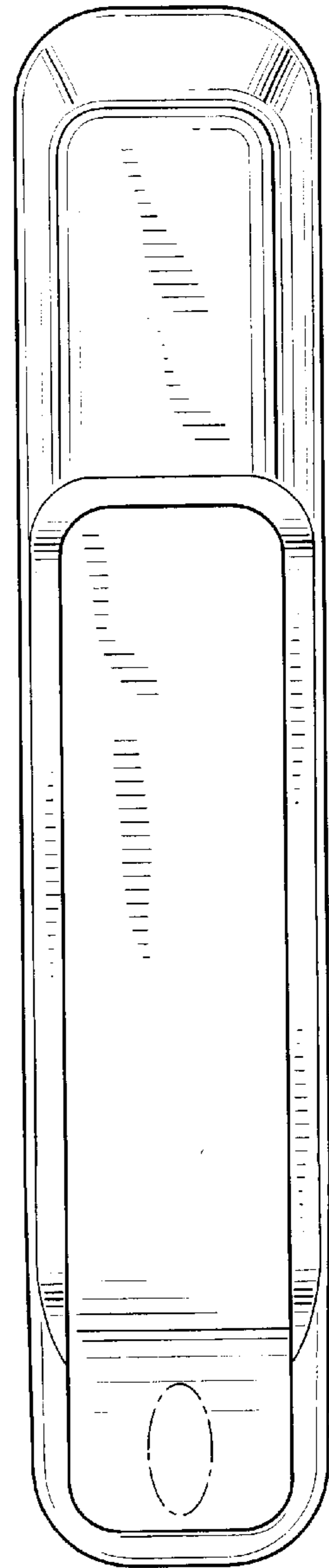


FIG. 7

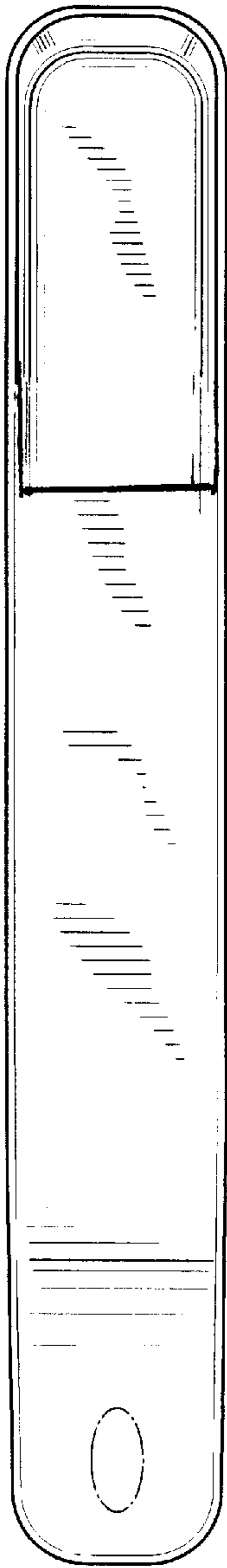


FIG. 8



FIG. 9

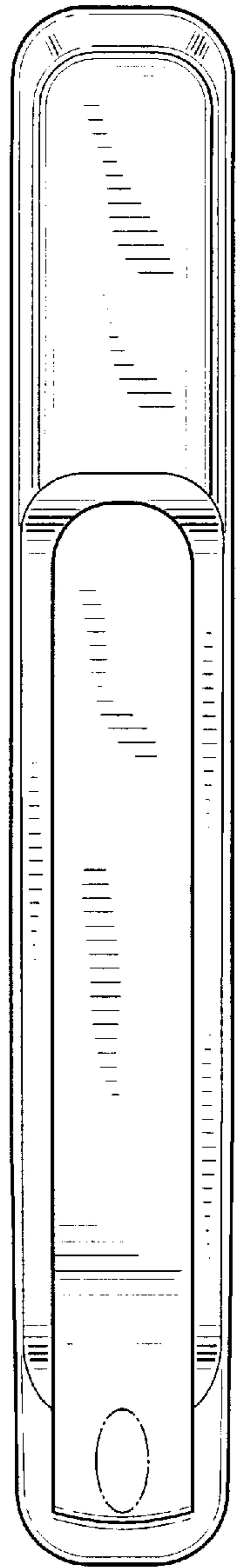


FIG. 10



FIG. 11

