



US00D417626S

United States Patent [19] Clerc

[11] **Patent Number: Des. 417,626**

[45] **Date of Patent: ** Dec. 14, 1999**

[54] **WRISTWATCH**

D. 391,865 3/1998 Brzezinski D10/32
D. 398,541 9/1998 Voegeli D10/32

[76] Inventor: **Gérald Arnaud Clerc**, 35, avenue
Ferdinand Buisson, 75016 Paris, France

FOREIGN PATENT DOCUMENTS

[**] Term: **14 Years**

027164 5/1993 WIPO D10/32 X

[21] Appl. No.: **29/096,462**

[22] Filed: **Nov. 13, 1998**

OTHER PUBLICATIONS

[30] Foreign Application Priority Data

May 14, 1998 [FR] France 98 2951

European Jeweler(G.Z.)—Apr. 1981—p. 25—watches at center
and left.

Jeweler's Circulat—Keystone—Feb. 1984—p. 83—watch.

[51] **LOC (6) Cl.** **10-02**

[52] **U.S. Cl.** **D10/32**

[58] **Field of Search** D10/1-40, 122-132;
D11/3-25; 63/1.1, 3, 5, 11; 368/276-277,
280-282, 285

Primary Examiner—Nelson C. Holtje

Attorney, Agent, or Firm—Medlen & Carroll, LLP

[57] CLAIM

I claim the ornamental design for a wristwatch, as shown
and described.

[56] References Cited

U.S. PATENT DOCUMENTS

D. 166,948 6/1952 Boots .
D. 224,913 10/1972 Maroni D10/32
D. 342,037 12/1993 Giardiello D11/3
D. 350,071 8/1994 Giardiello D10/32

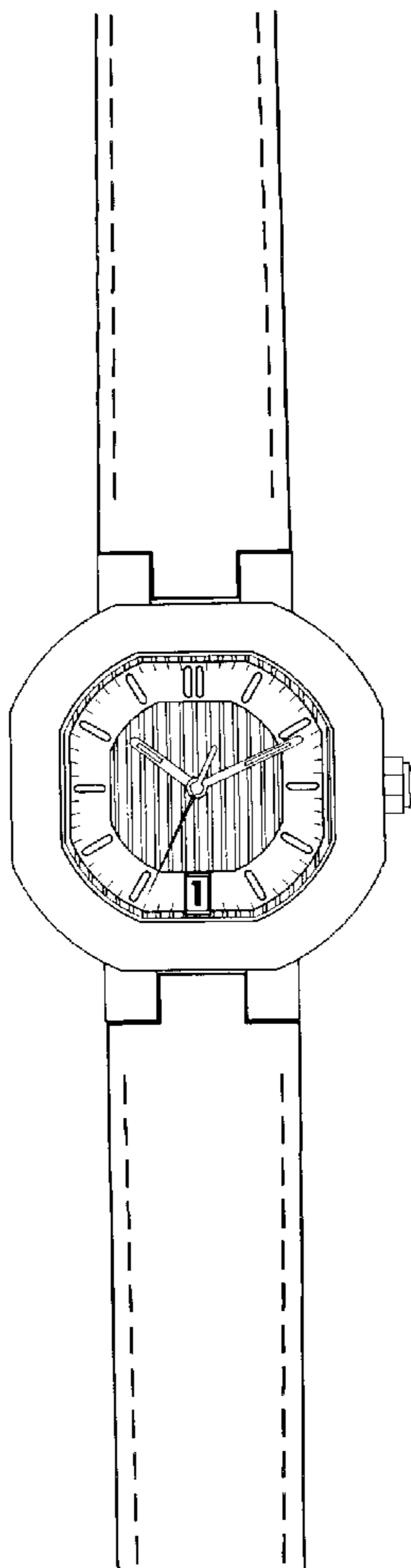
DESCRIPTION

FIG. 1 is a top view of a wristwatch, showing my new
design;

FIG. 2 is a bottom view thereof; and,

FIG. 3 is a side view thereof.

1 Claim, 1 Drawing Sheet



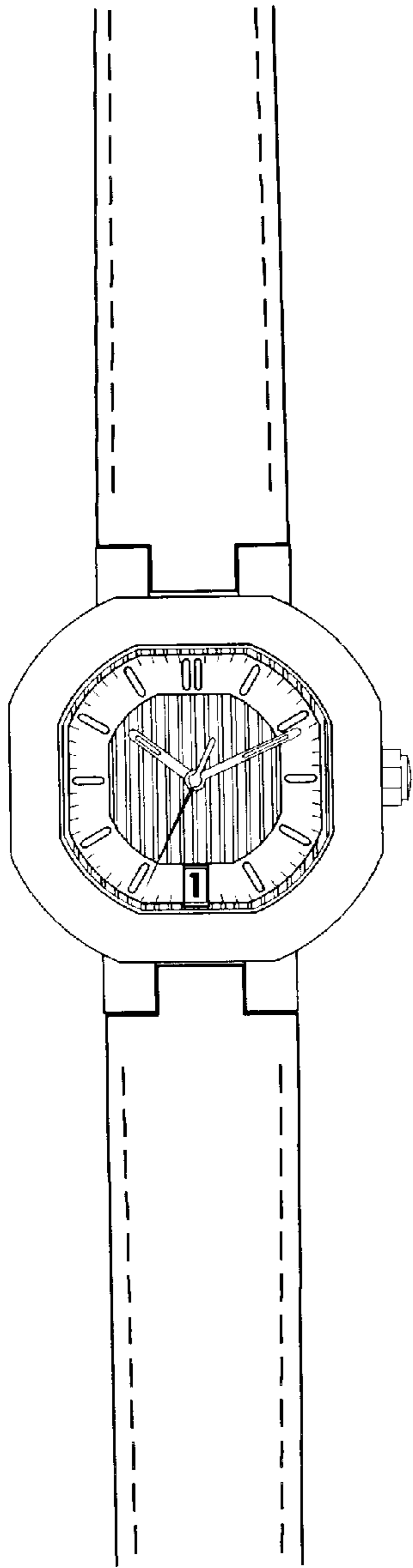


FIG. 1

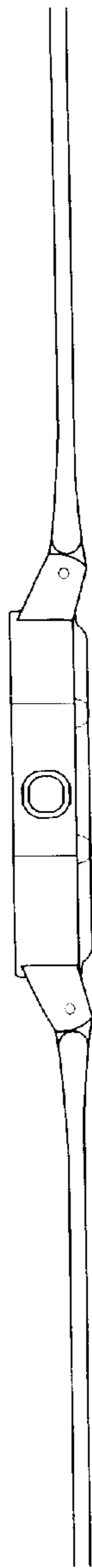


FIG. 3

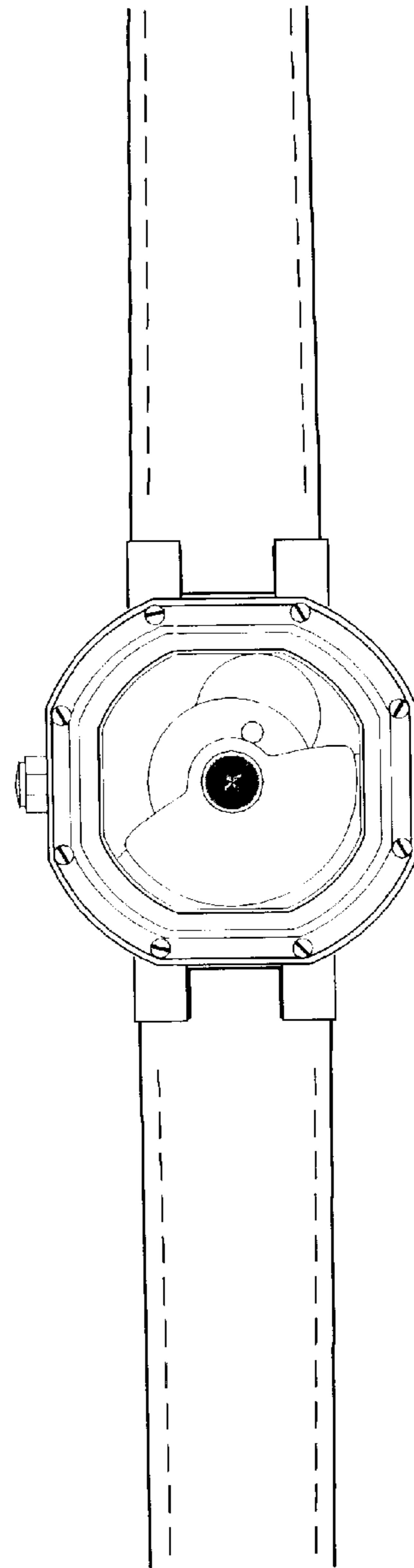


FIG. 2