



US00D417618S

United States Patent [19]

Shanklin et al.

[11] Patent Number: Des. 417,618

[45] Date of Patent: ** Dec. 14, 1999

[54] PUMP ASSEMBLY

[75] Inventors: Donald J. Shanklin, Fullerton; Ronald F. Enghard, Mission Viejo, both of Calif.

[73] Assignee: Hayes Products, LLC, Buena Park, Calif.

[**] Term: 14 Years

[21] Appl. No.: 29/075,735

[22] Filed: Aug. 28, 1997

Related U.S. Application Data

[63] Continuation-in-part of application No. 08/812,790, Mar. 6, 1997, Pat. No. 5,816,447, and application No. 29/073,310, Jul. 3, 1997, abandoned.

[51] LOC (6) Cl. 09-07

[52] U.S. Cl. D9/448; D9/434; D23/224

[58] Field of Search D9/434, 447, 448, D9/499; D8/2; D23/213, 223-226; 222/209, 385; 239/154, 333, 373

[56] References Cited

U.S. PATENT DOCUMENTS

D. 192,429	3/1962	Ridenour	D23/224
D. 213,179	1/1969	Clevenger	D9/448
D. 282,770	2/1986	Tada	D23/224
D. 327,647	7/1992	Lemme	D9/448 X
1,417,951	5/1922	Staples et al. .	
1,730,684	10/1929	Phillips .	
1,814,504	7/1931	Collins .	
2,048,142	7/1936	Santurello .	
2,341,031	2/1944	Flynn .	
2,342,288	2/1944	Mai .	
2,521,164	9/1950	Hayes .	
2,881,810	4/1959	Breitenstein .	
3,299,960	1/1967	Stern .	
3,792,800	2/1974	Capra et al. .	
3,797,748	3/1974	Nozawa et al. .	
3,901,414	8/1975	Capra et al. .	
3,901,449	8/1975	Bochmann .	
3,921,861	11/1975	Kondo .	
3,940,029	2/1976	Horvath .	

4,105,145	8/1978	Capra .
4,109,832	8/1978	Kutik et al. .
4,155,489	5/1979	Steiman .
4,167,941	9/1979	Capra et al. .
4,174,055	11/1979	Capra et al. .
4,176,764	12/1979	Capra et al. .
4,183,449	1/1980	Blake .
4,192,464	3/1980	Bochmann .
4,210,261	7/1980	Trujillo et al. .
4,222,500	9/1980	Capra et al. .
4,222,501	9/1980	Hammett et al. .
4,231,493	11/1980	Kutik et al. .
4,235,353	11/1980	Capra et al. .
4,260,082	4/1981	Rooney et al. .
4,271,990	6/1981	Kutik et al. .
4,325,499	4/1982	Shay .
4,325,500	4/1982	Shay .
4,325,501	4/1982	Shay .
4,392,594	7/1983	Swett et al. .
4,524,888	6/1985	Tada .
4,809,878	3/1989	Rainey .
4,872,595	10/1989	Hammett et al. .
4,899,913	2/1990	Ruscitti et al. .
4,901,878	2/1990	Humphries .
5,183,189	2/1993	Baudin .
5,381,932	1/1995	Humphrey .
5,395,032	3/1995	Fuchs .
5,419,463	5/1995	Mizushima et al. .
5,429,275	7/1995	Katz .
5,469,993	11/1995	Hauf et al. .
5,497,944	3/1996	Weston et al. .

FOREIGN PATENT DOCUMENTS

0583902A1	2/1994	European Pat. Off. .
935738	8/1993	South Africa .
963912	7/1964	United Kingdom .
2269796A	2/1994	United Kingdom .
WO9403278	2/1994	WIPO .

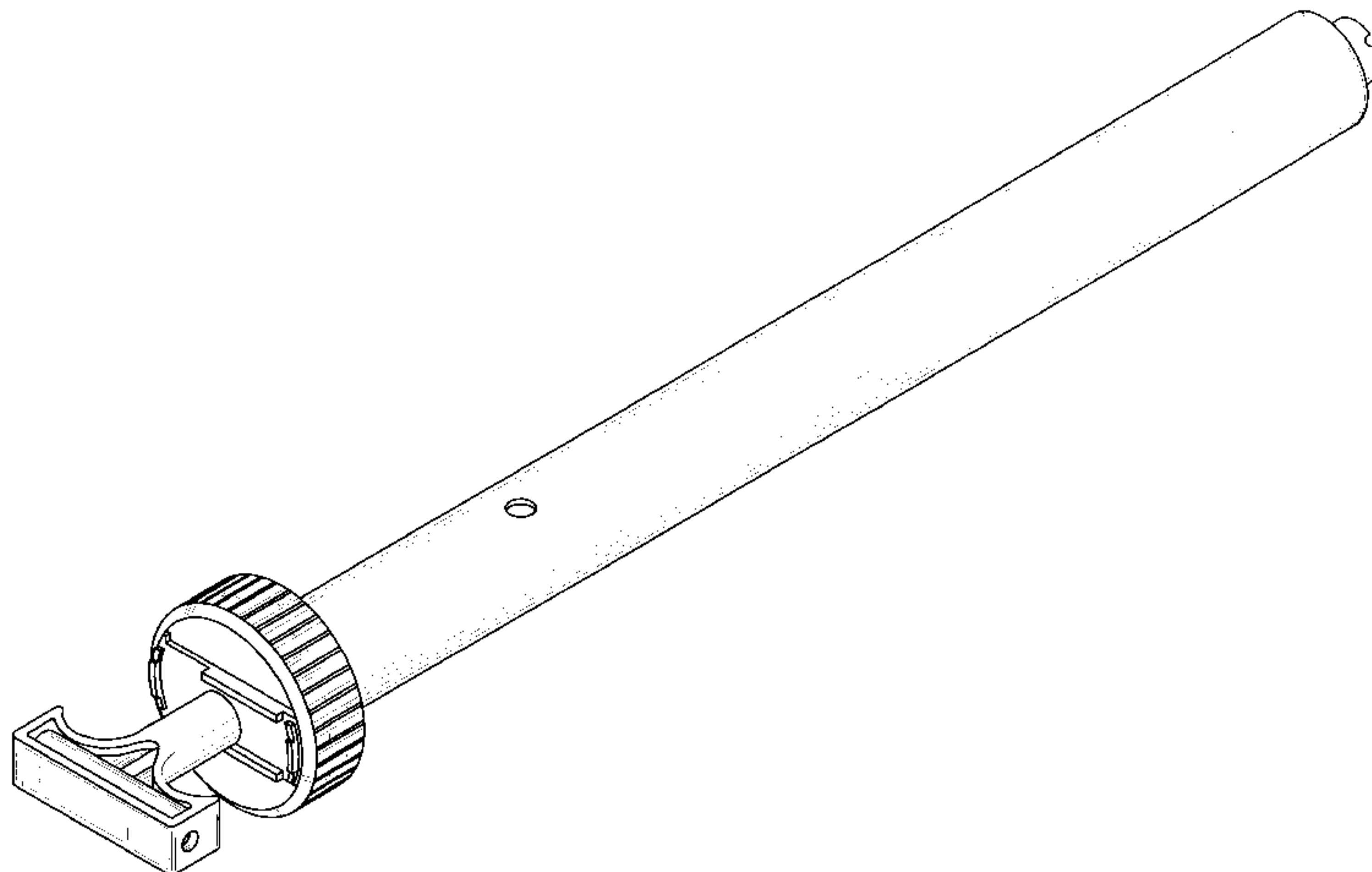
Primary Examiner—Cathron B. Matta
Attorney, Agent, or Firm—Knobbe, Martens, Olson and Bear, LLP

[57] CLAIM

The ornamental design for a pump assembly, as shown and described.

DESCRIPTION

FIG. 1 is a perspective view of a pump illustrating one



embodiment of our new design. The portions of the pump located on the bottom surfaces and not shown in the drawings form no part of the claimed design;

FIG. 2 is a front elevational view of the pump of FIG. 1;

FIG. 3 is a top plan view of the pump of FIG. 1;

FIG. 4 is a rear elevational view of the pump of FIG. 1; FIG. 5 is a right elevational view of the pump of FIG. 1; and, FIG. 6 is a left elevational view of the pump of FIG. 1.

1 Claim, 2 Drawing Sheets

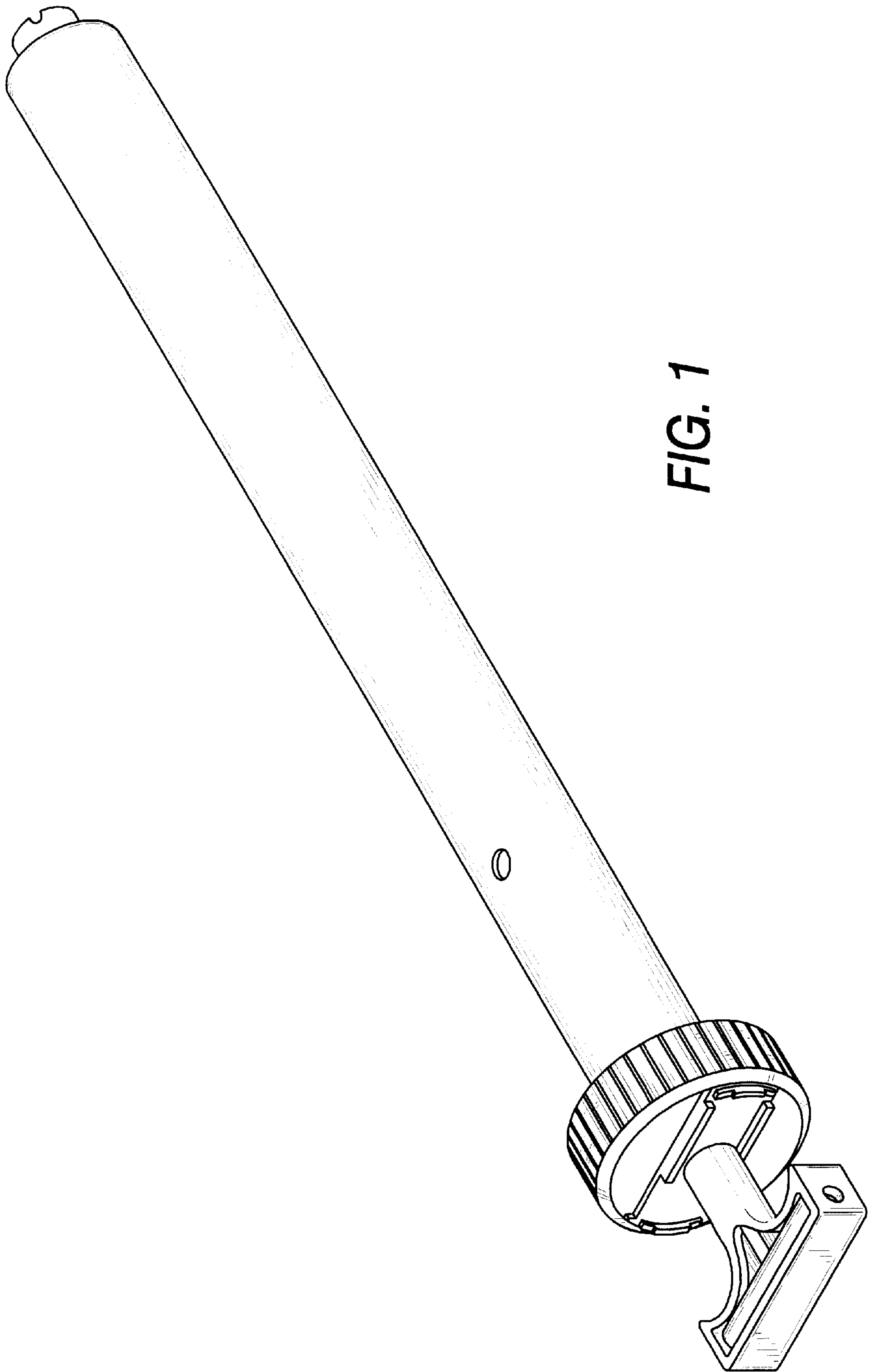


FIG. 1

FIG. 3

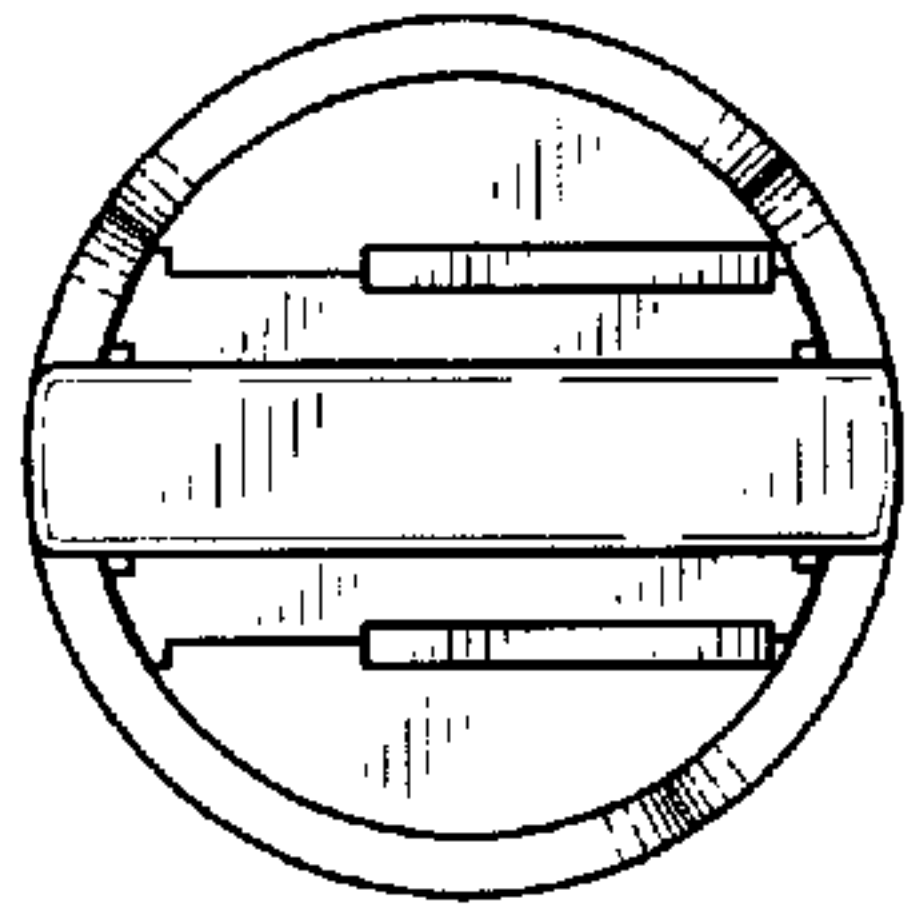


FIG. 2

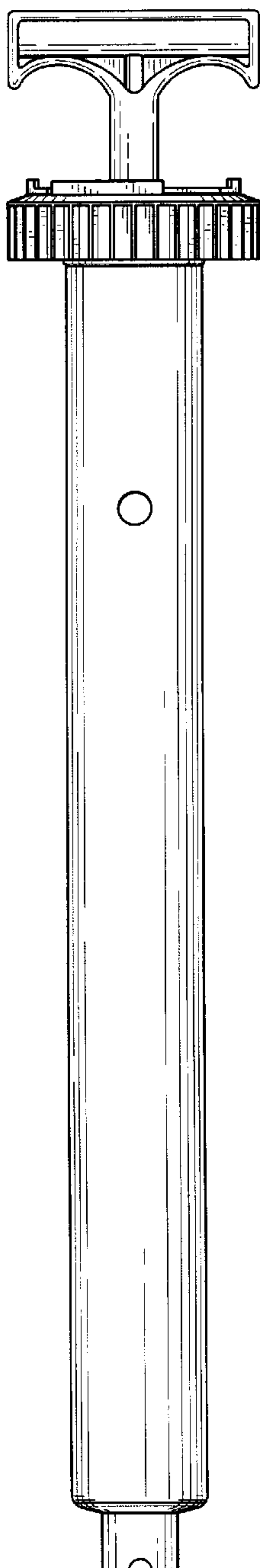


FIG. 4

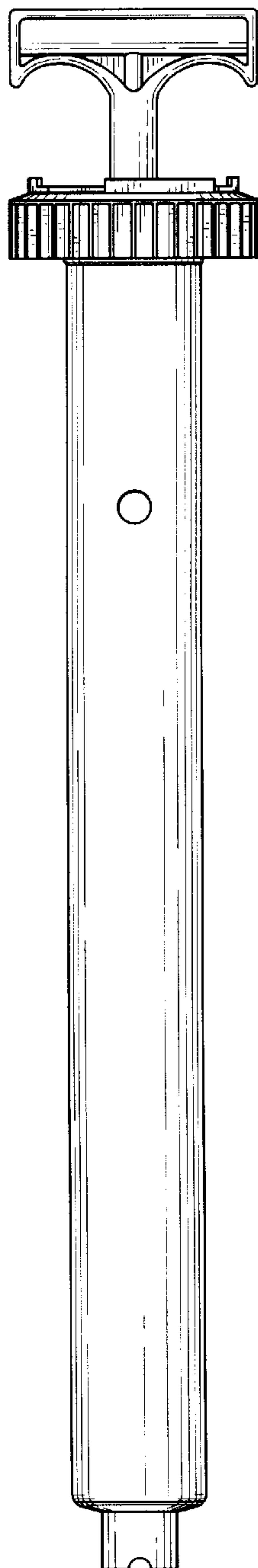


FIG. 5

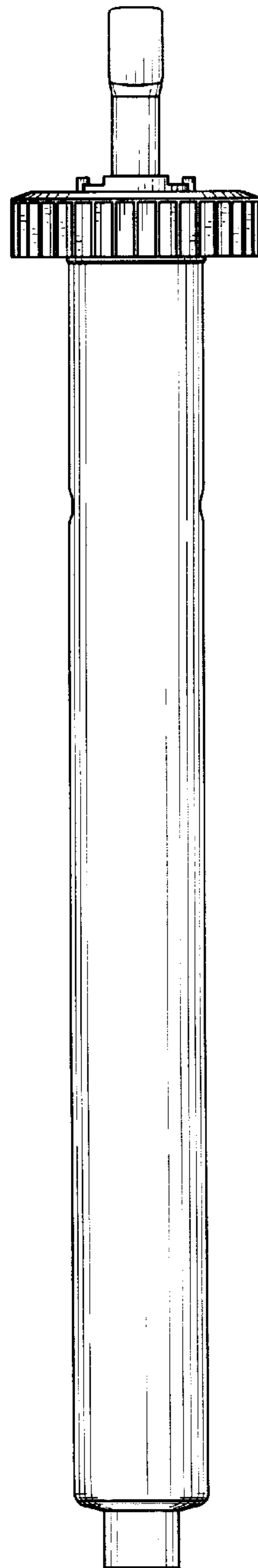


FIG. 6

