



US00D417617S

United States Patent [19]

Jensen et al.

[11] Patent Number: **Des. 417,617**

[45] Date of Patent: **** Dec. 14, 1999**

[54] **FAST FOOD PACKAGE**

[76] Inventors: **Kurt Jensen**, 187 Summit St., Lebanon, Ohio 45036; **Christopher G. Carlson**, 5515 River Ave., Apartment 219, Newport Beach, Calif. 92663

[**] Term: **14 Years**

[21] Appl. No.: **29/080,853**

[22] Filed: **Dec. 12, 1997**

Related U.S. Application Data

[63] Continuation-in-part of application No. 29/074,394, Aug. 4, 1997, abandoned.

[51] **LOC (6) Cl.** **09-03**

[52] **U.S. Cl.** **D9/433**

[58] **Field of Search** D9/341, 337, 346, D9/347, 414, 431-433; 206/737; 229/112, 149, 906; 426/118

[56] References Cited

U.S. PATENT DOCUMENTS

D. 29,036	7/1898	Tahl	D9/433
D. 212,683	11/1968	Roccaforte et al.	D9/433
	311,951	Bright	206/737
D. 337,940	8/1993	Aquino	D9/414
D. 353,538	12/1994	Jobit	D9/432
D. 375,044	10/1996	Williard et al.	D9/433
D. 394,606	5/1998	Zorn et al.	D9/414

4,245,771	1/1981	Christian	229/112
4,295,599	10/1981	Locatelli et al.	206/737
4,428,525	1/1984	Brauner	229/112
4,734,288	3/1988	Engstrom et al.	426/118
5,522,538	6/1996	Gray	229/112

Primary Examiner—Ted Shooman
Assistant Examiner—Carol Rademaker
Attorney, Agent, or Firm—Ralph J. Skinkiss

[57] CLAIM

The ornamental design for a fast food package, substantially as shown and described.

DESCRIPTION

FIG. 1 is a pictorial view of a fast food package embodying my new ornamental design.

FIG. 2 is a front elevational view of the package illustrated in FIG. 1.

FIG. 3 is a left end elevational view of the package illustrated in FIG. 1.

FIG. 4 is a rear elevational view of the package illustrated in FIG. 1.

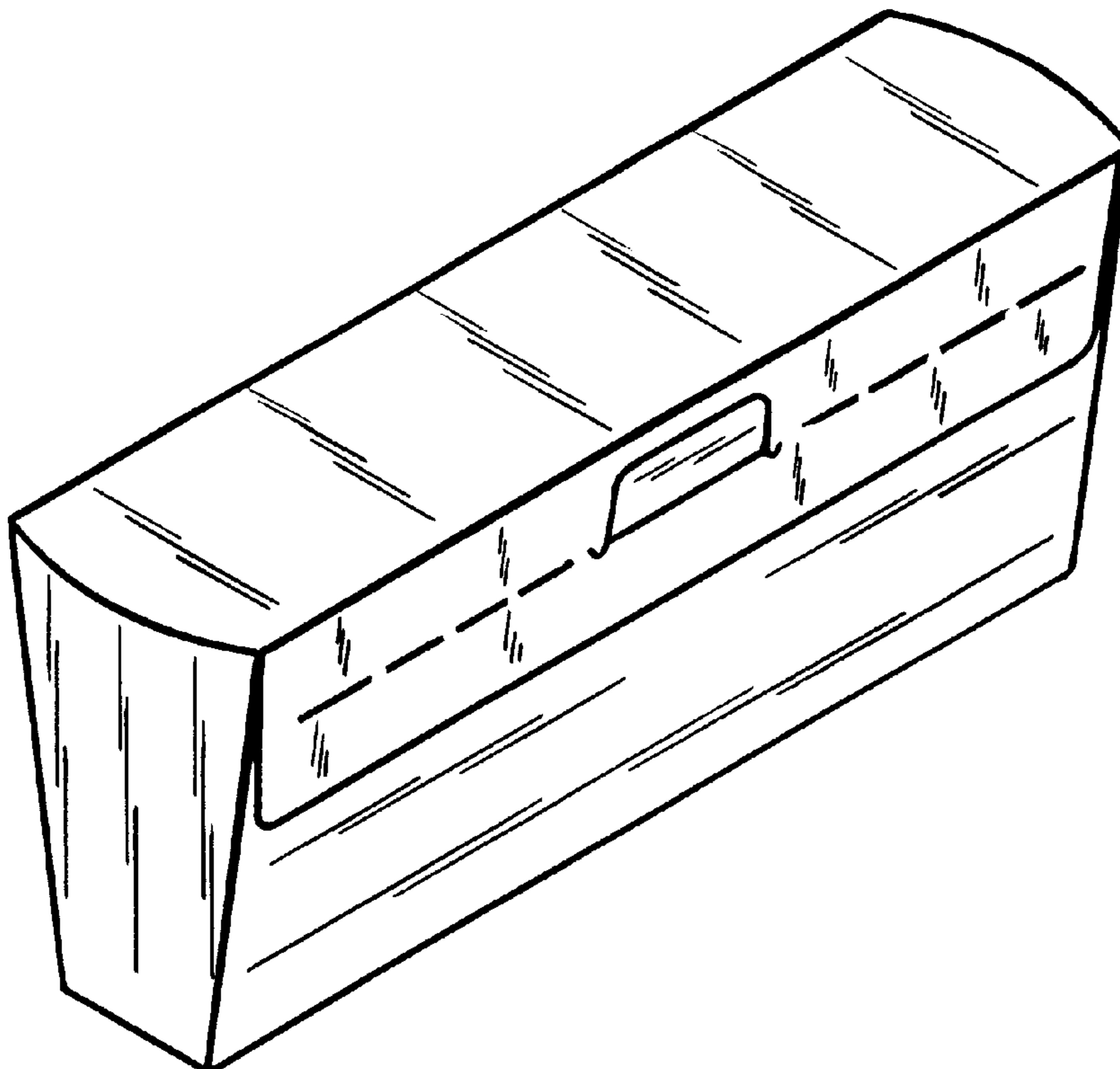
FIG. 5 is a top view of the package illustrated in FIG. 1.

FIG. 6 is a bottom view of the package illustrated in FIG. 1; and,

FIG. 7 is a pictorial view of the package illustrated in FIG. 1 in an open alternate embodiment.

The right end elevational view is the mirror image of the right end elevational view as illustrate in FIG. 2.

1 Claim, 4 Drawing Sheets



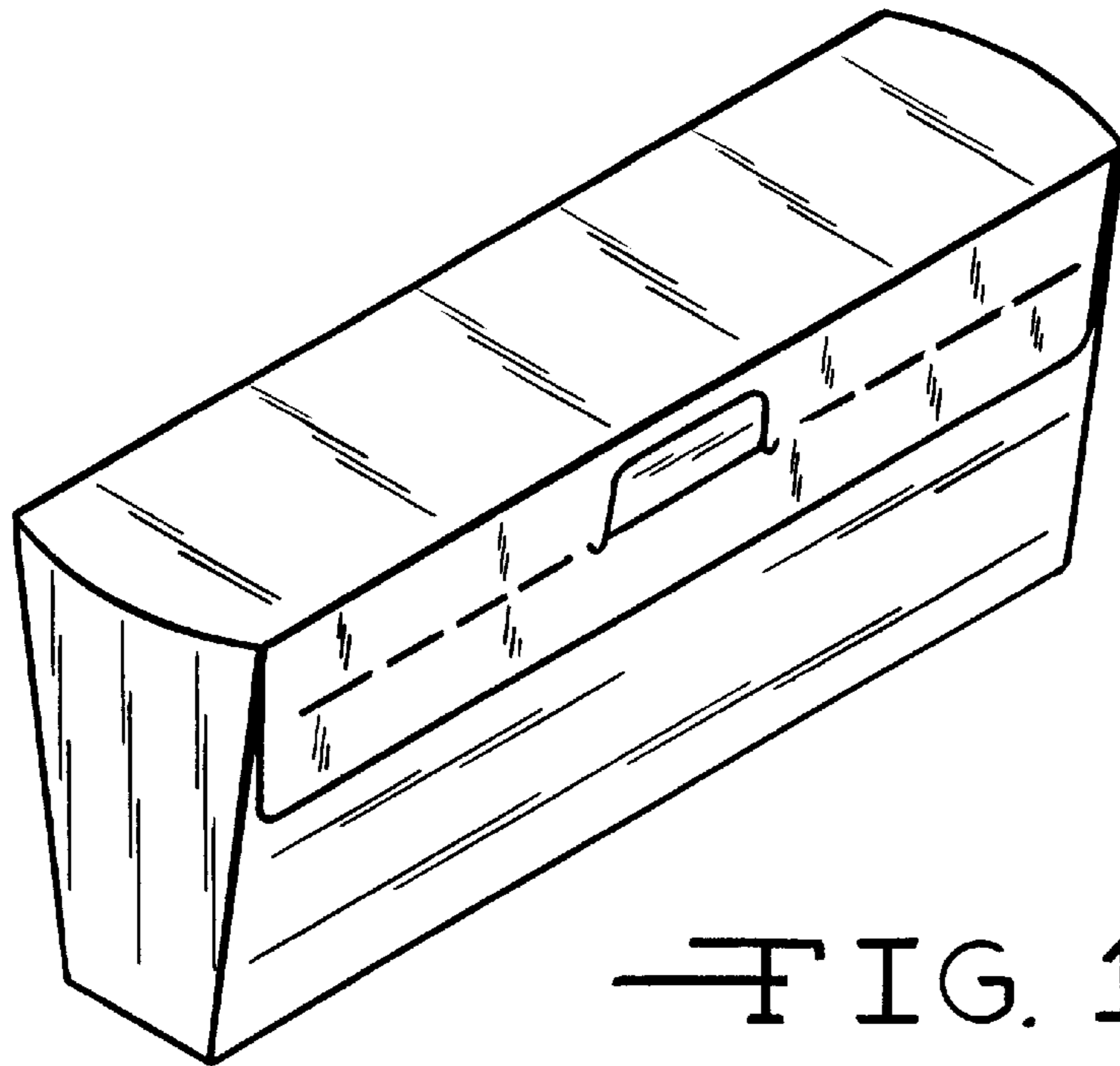


FIG. 1

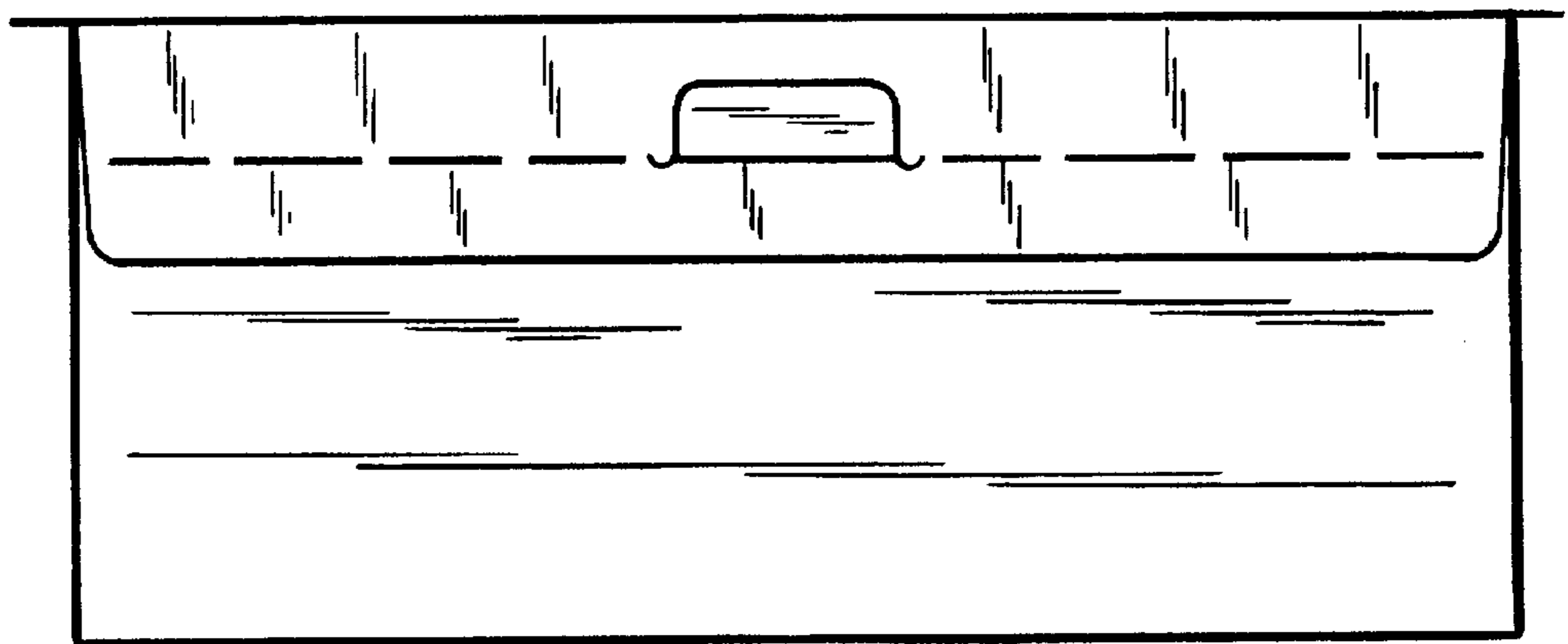


FIG. 2

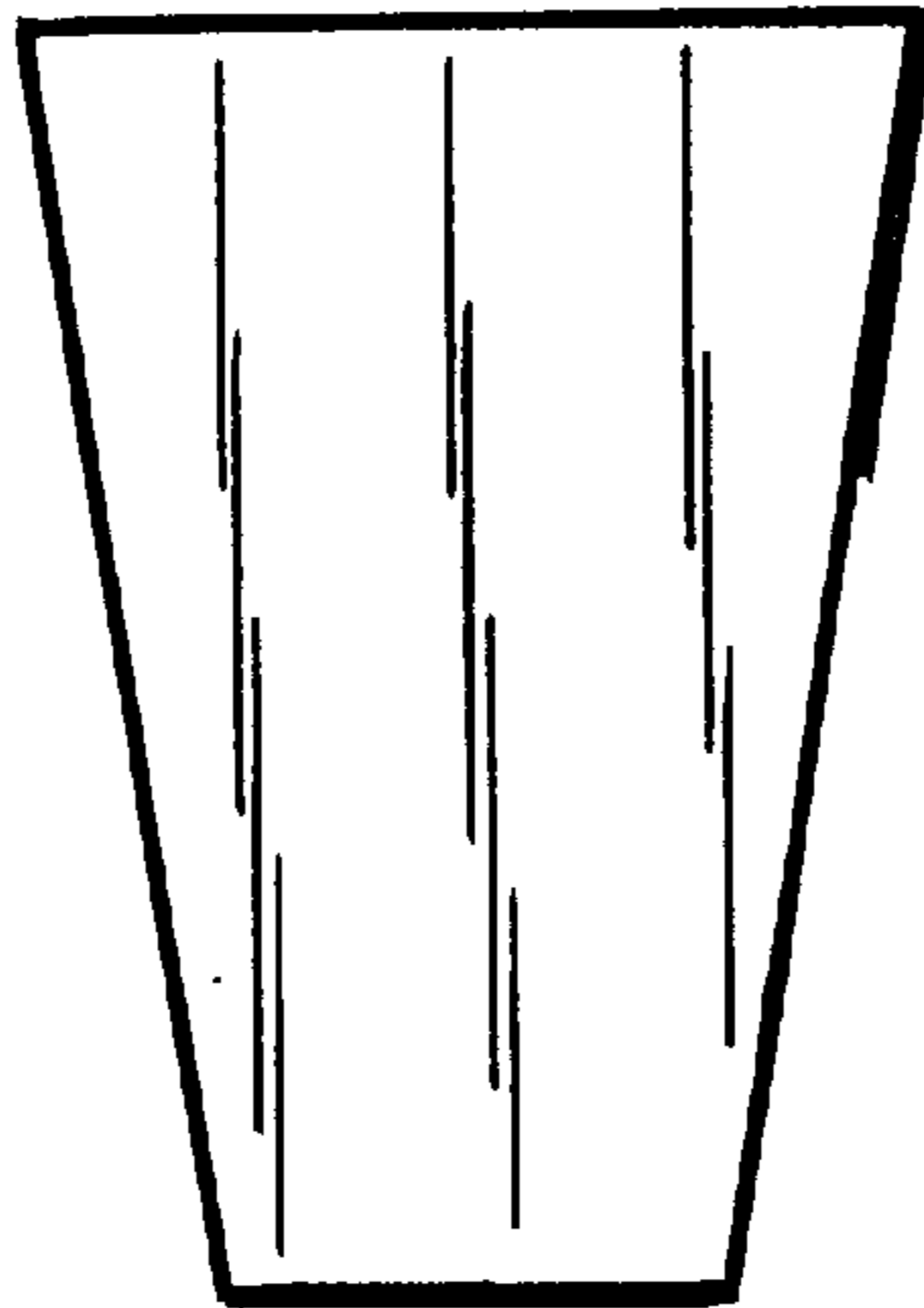


FIG. 3

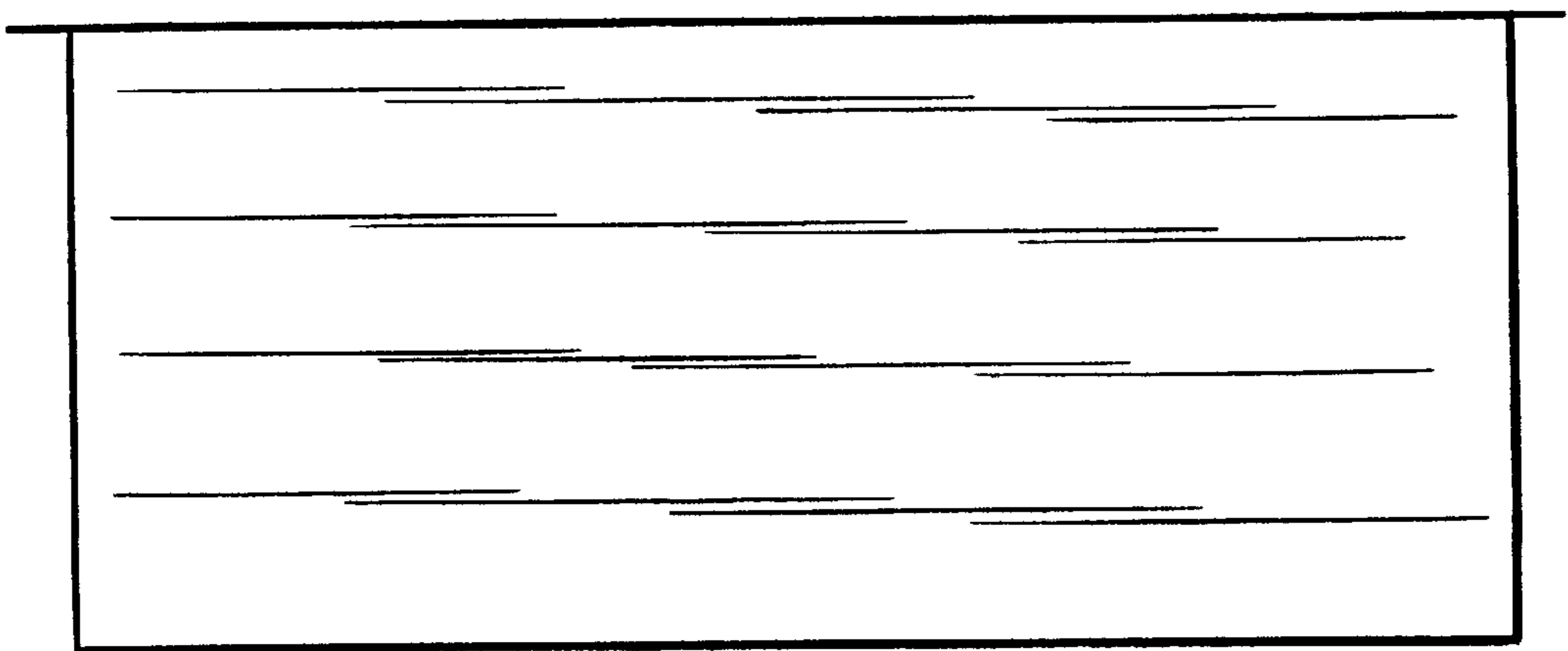
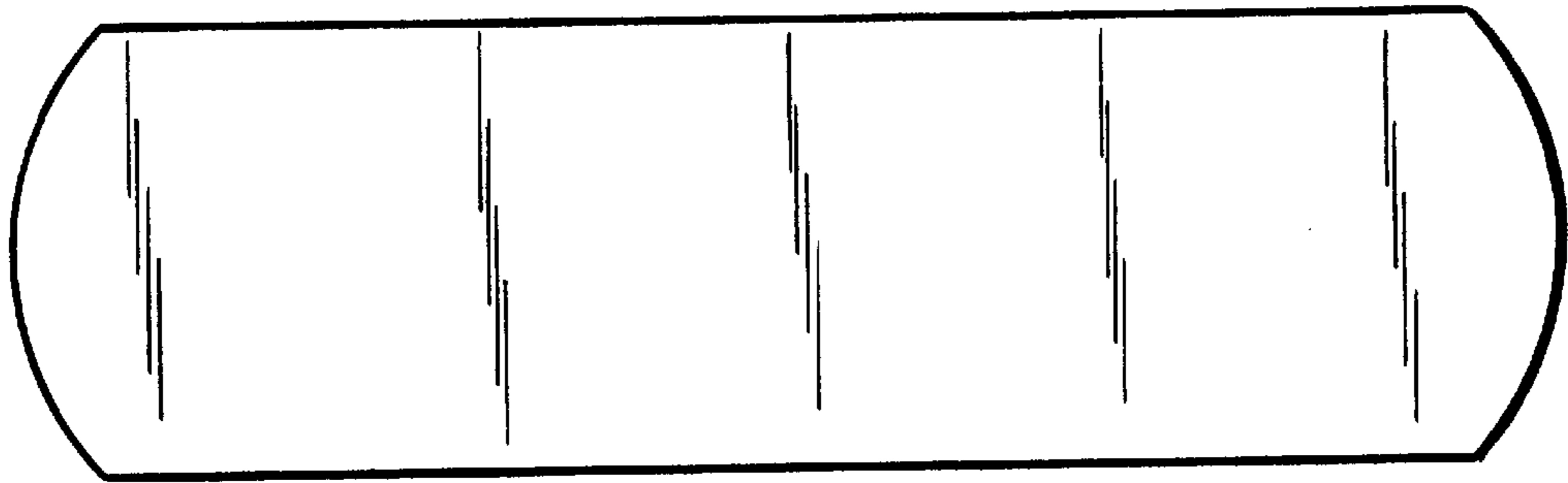
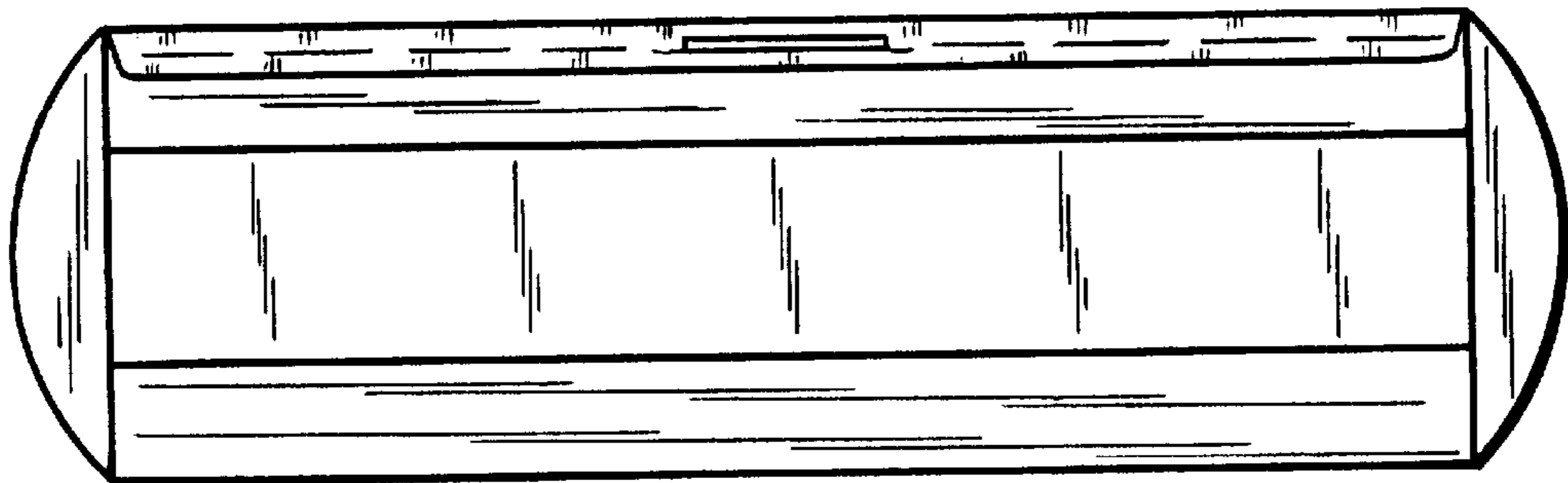


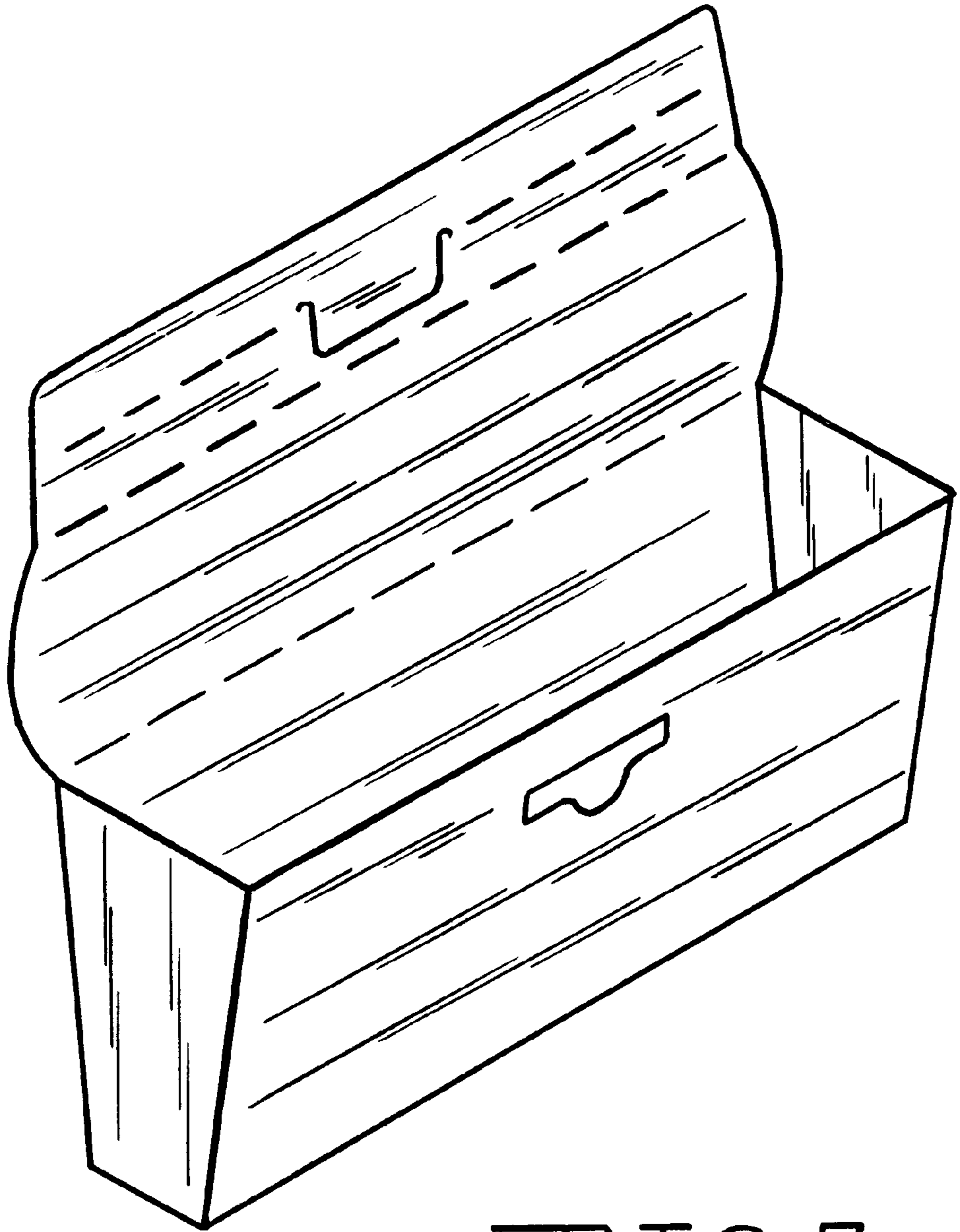
FIG. 4



—FIG. 5



—FIG. 6



— FIG. 7